

DATA SHEET

790MM ACTIVESMART™ FRIDGE

Model no:

RF170BRPW6, RF170BRPX6, RF170BRZW6, RF170BRZX6

(refer page 2 for metric measurements)

| Product Dimensions | in |
|---|----------|
| Ⓐ Overall height* of fridge | 67 3/4" |
| Ⓑ Overall width of fridge | 31 1/8" |
| Ⓒ Depth of fridge door and gasket | 2 3/4" |
| Ⓓ Depth of fridge door and chassis | 27 3/8" |
| Ⓔ Depth of fridge chassis (does not include fridge door) | 24 5/8" |
| Ⓕ Height of feet (adjustable) | 15/16" |
| Ⓖ Height from bottom of chassis to bottom of bottom door | 5/8" |
| Ⓗ Height from bottom of chassis to top of bottom door | 24 5/8" |
| Ⓚ Gap between doors | 3/8" |
| Ⓛ Height of top door | 41 3/4" |
| Ⓜ Depth of door gasket | 9/16" |
| Ⓝ Depth of evaporator tray behind chassis | 1 3/16" |
| Ⓟ Depth of door (open at 90°) (measured from front of door) | 29 5/16" |
| Ⓡ Rotation of door (open) | 138° |

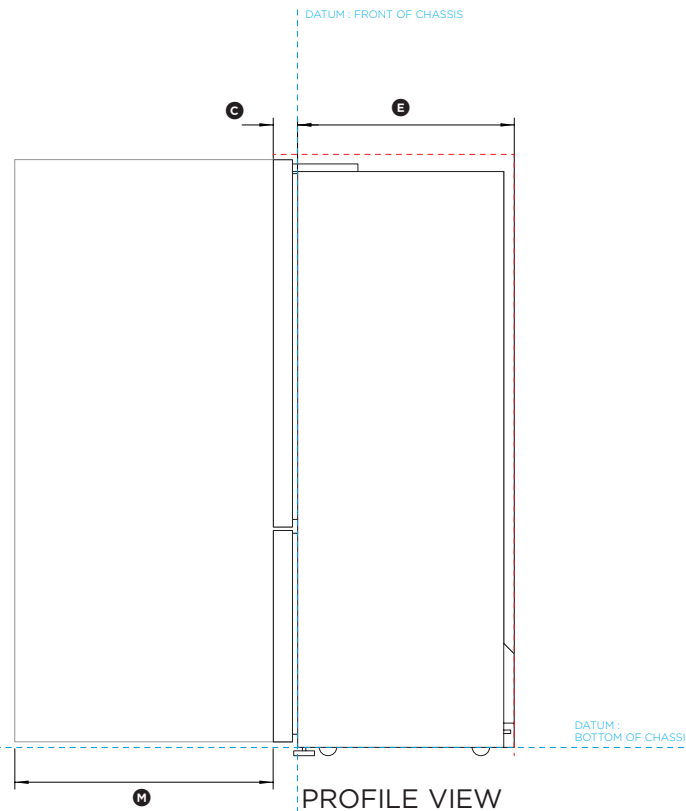
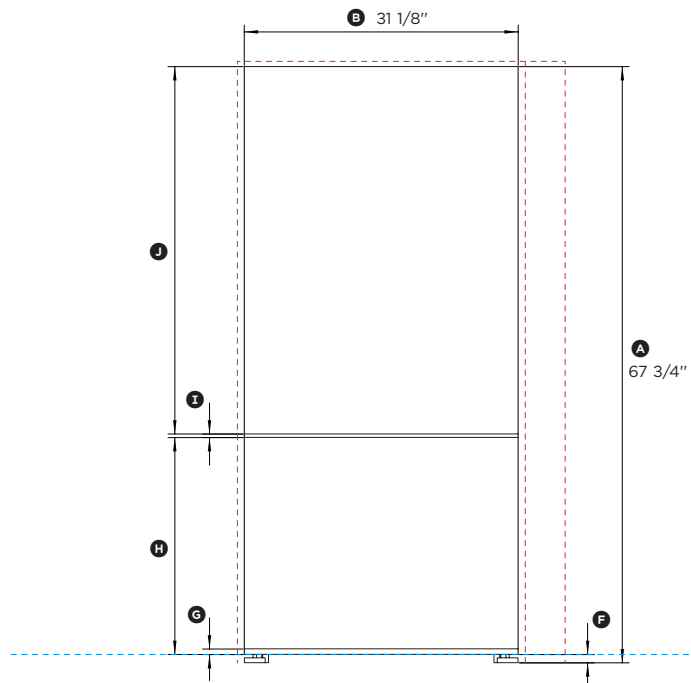
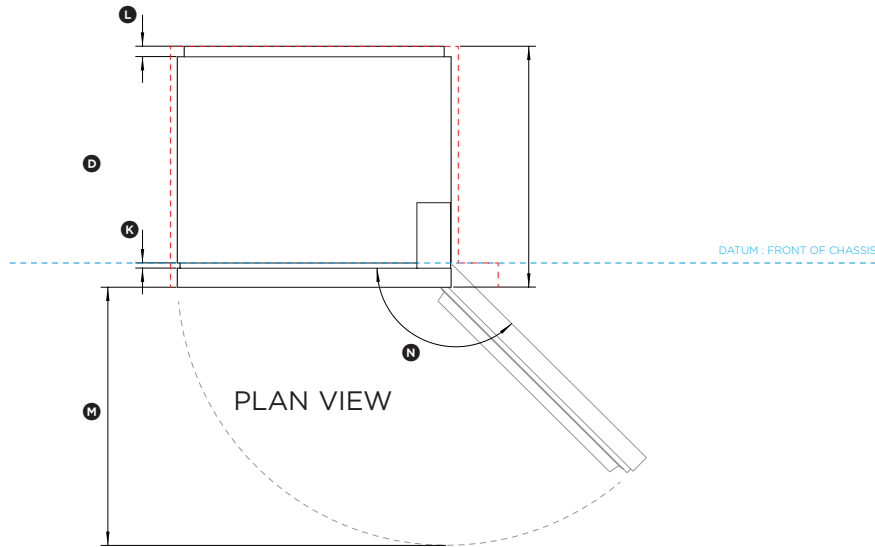
* Includes mounted feet

| Minimum Clearances | in |
|---|----------|
| Minimum height of cavity | 68 5/16" |
| Minimum side clearance installed flush with chassis | 13/16" |
| Side clearance (hinge side) installed flush with door - full rotation | 5 5/16" |
| Rear clearance (including evaporator tray) | 1 3/16" |

INDICATES PRODUCT DATUM
 INDICATES CABINETRY CLEARANCES

DATE: 22.10.2015

IMPORTANT NOTE: Throughout this guide, dimensions may vary by ±2mm (3/32"). Please read the installation manual for detailed information on installing the product. www.fisherpaykel.com



DATA SHEET

790MM ACTIVESMART™ FRIDGE

Model no:

RF170BRPW6, RF170BRPX6, RF170BRZW6, RF170BRZX6

(refer page 1 for imperial measurements)

| Product Dimensions | mm |
|---|------|
| Ⓐ Overall height* of fridge | 1720 |
| Ⓑ Overall width of fridge | 790 |
| Ⓒ Depth of fridge door and gasket | 70 |
| Ⓓ Depth of fridge door and chassis | 695 |
| Ⓔ Depth of fridge chassis (does not include fridge door) | 625 |
| Ⓕ Height of feet (adjustable) | 24 |
| Ⓖ Height from bottom of chassis to bottom of bottom door | 16 |
| Ⓗ Height from bottom of chassis to top of bottom door | 626 |
| Ⓚ Gap between doors | 10 |
| Ⓛ Height of top door | 1060 |
| Ⓜ Depth of door gasket | 15 |
| Ⓝ Depth of evaporator tray behind chassis | 30 |
| Ⓟ Depth of door (open at 90°) (measured from front of door) | 745 |
| Ⓠ Rotation of door (open) | 138° |

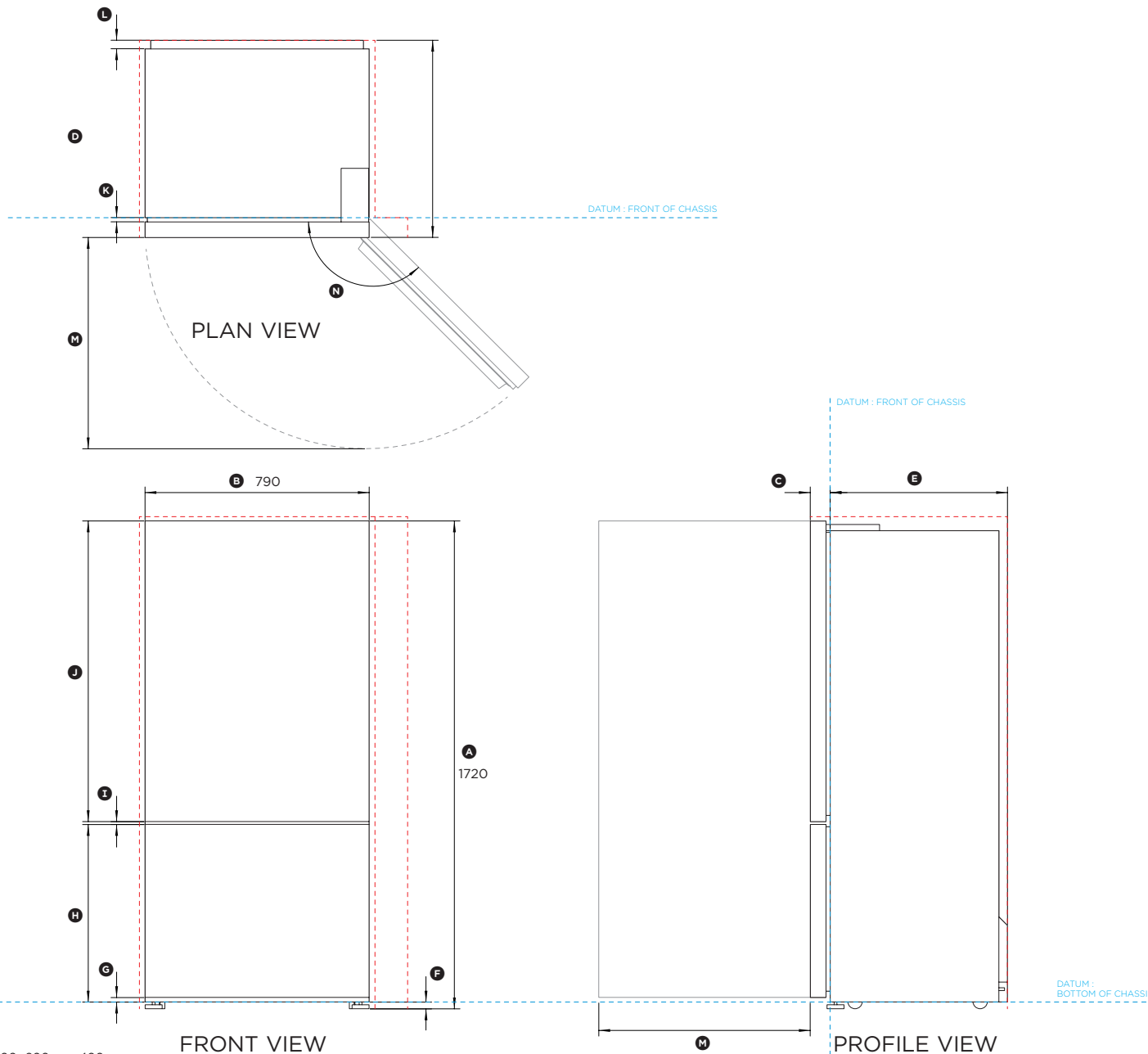
* Includes mounted feet

| Minimum Clearances | mm |
|---|------|
| Minimum height of cavity | 1735 |
| Minimum side clearance installed flush with chassis | 20 |
| Side clearance (hinge side) installed flush with door - full rotation | 135 |
| Rear clearance (including evaporator tray) | 30 |

INDICATES PRODUCT DATUM
 INDICATES CABINETRY CLEARANCES

DATE: 22.10.2015

IMPORTANT NOTE: Throughout this guide, dimensions may vary by ±2mm (3/32"). Please read the installation manual for detailed information on installing the product. www.fisherpaykel.com



0 100 200 400 millimetres