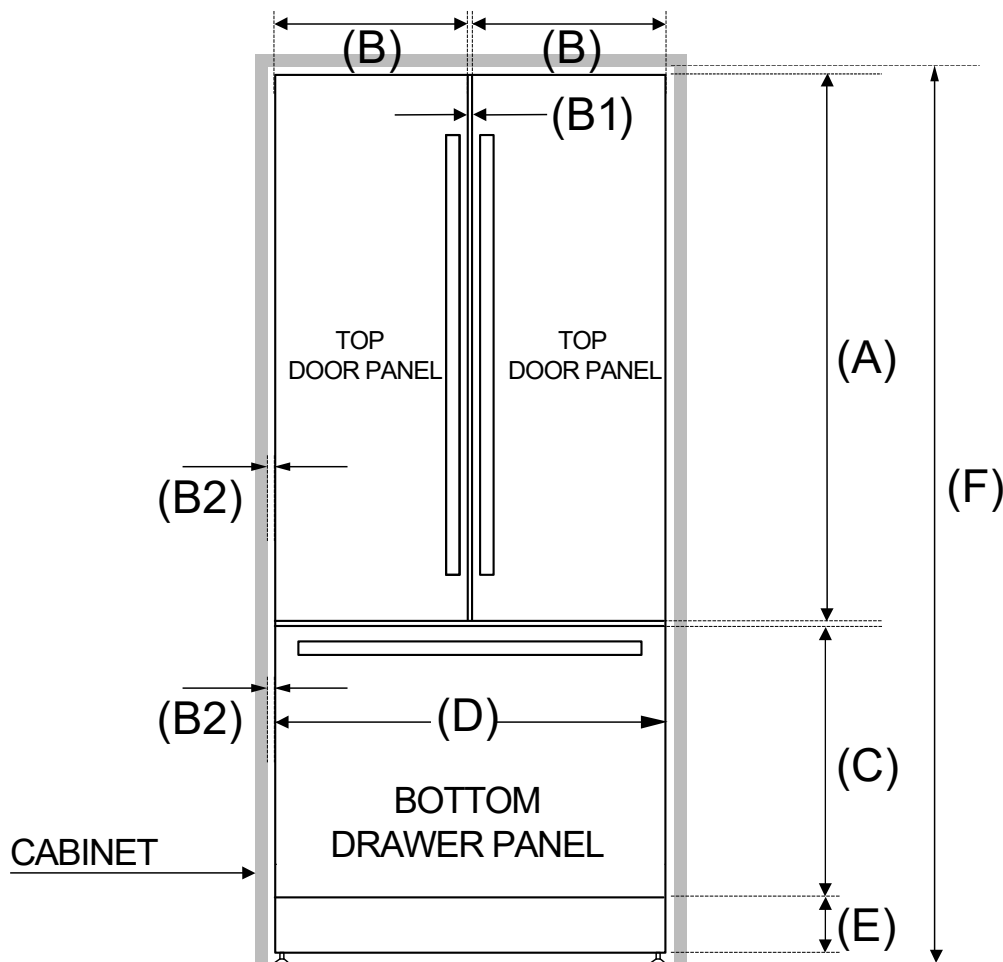


CUSTOM DOOR PANELS SPECIFICATIONS

FOR BUILT-IN FRENCH DOOR BOTTOM MOUNT MODEL REF36FDBZPNV/24

Panels to be manufactured and fitted by cabinet maker and installer



NOTE: The refrigerator comes with a 4" (100 mm) stainless steel toe kick installed to fit a standard 84" (2134 mm) tall cabinet niche. For different toe kick heights, adjust C accordingly. For flush installation in a standard 25" (635 mm) deep cabinet niche, maximum custom door panels thickness is 3/4" (19 mm).

DIMENSIONS - INCHES (MILLIMETERS)		
(A)	Height of custom top door panel (each)	51 1/16" (1297)
(B)	Width of custom top door panel (each)	17 3/4" (451)
(B1)	Gap between custom top door panels	3/16" (5)
(B2)	Gap between custom door panels and cabinet	1/8" (3.5)
(C)	Height of custom bottom drawer panel	28 11/16" (729)
(D)	Width of custom bottom drawer panel	35 11/16" (907)
(E)	Toe kick height	min 3 3/4" (96) - max 5 3/8" (136)
(F)	Cabinet height	min 83 13/16" (2129) - max 85 3/8" (2169)
(G)	Cabinet width	36" (914)
Thickness of custom door panels for flush install		max 3/4" (19)

WEIGHT - POUNDS (KILOGRAMS)	
Maximum weight of each custom top door panel	44 lbs (20 kg)
Maximum weight of custom bottom drawer panel	20 lbs (9 kg)

Disclaimer: while every effort has been made to insure the accuracy of the information contained in this document, Fratelli Bertazzoni reserves the right to change any part of the information at any time without notice. For detailed installation specifications consult the installation manual. Fratelli Bertazzoni, Bertazzoni and the winged wheel brand icon are registered trademarks of Bertazzoni Spa.