

BERTAZZONI MASTER SERIES

31" FREESTANDING BOTTOM MOUNT RIGHT SWING DOOR

REF31BMXR + MASHK31BM

HIGHLIGHTS

• Total no frost system

Automated defrosting cycle of the evaporator ensures food stays always fresh.

• 5 Level Airflow system

Optimized air-flow design keeps set temperature constant and even throughout the entire refrigerator.

• Touch-control interface

Electronic touch-control LED interface on the appliance door simplifies setting and monitoring of all vital functions, with separate temperature control for refrigerator and freezer. Special one-touch functions include Super Cool, Super Freeze and Holiday mode.

• Design

Flat front door design. Stainless steel doors have special treatment that eliminates fingerprint smudges. Choose the Master or Professional series handle kit for perfect integration with your Bertazzoni appliances suite.



FEATURES

Style	bottom mount
Finish	stainless steel, no fingerprint
Handle styles	Master series
Interface	electronic touch control with LED screen
Lighting	LED lights interior illumination
Refrigerator shelves	3
Refrigerator drawers	1 full width crisper (humidity controlled)
Freezer drawers	2 full-width + 1 half-width
Door storage compartment	2 full-width racks + 2 half-width racks + 2 half-width bins
Ice maker	Manual twist ice maker
Automatic settings	Holiday Mode, Super Freeze, Alarm, Super Cool
Energy rating	Energy star

TECHNICAL SPECIFICATIONS

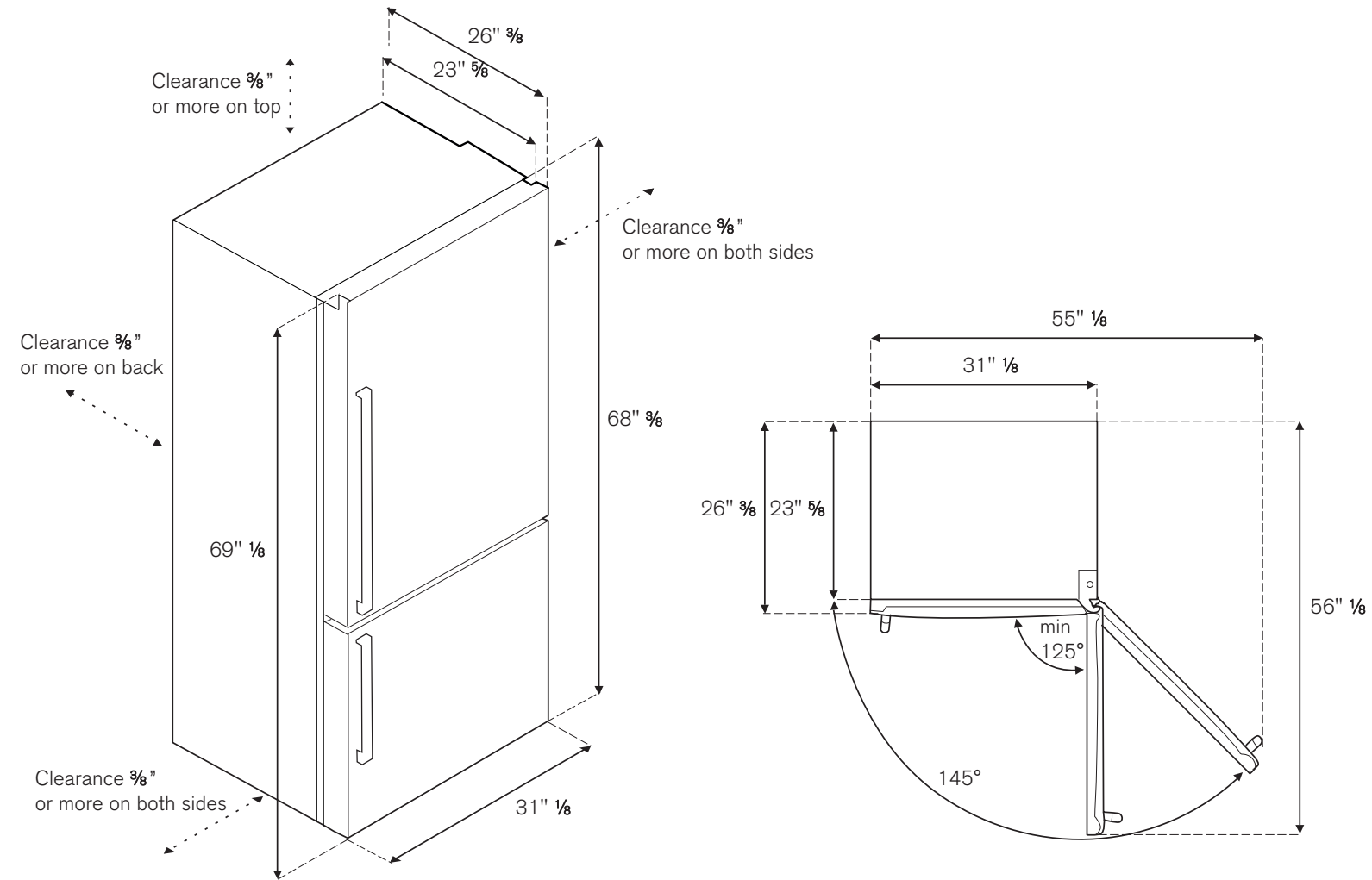
Voltage, frequency	115V/60Hz
Max Amp Usage, power rating	2A, 230W
Power connection	back side, length of power cord 5.6 ft
Certification	UL/CSA
Warranty	2 years parts and labor
CAPACITY	
Refrigerator capacity	12.2 cu.ft
Freezer capacity	4.8 cu.ft
Total capacity	17 cu.ft

BERTAZZONI MASTER SERIES

31" FREESTANDING BOTTOM MOUNT RIGHT SWING DOOR

REF31BMXR + MASHK31BM

INSTALLATION INSTRUCTIONS



INSTALLATION: There shall be a space not less than 3/8 inch from the top of your refrigerator, not less than 3/8 inch from both sides and 3/8 inch or more from the back of the refrigerator to the adjacent walls respectively. This requirement is necessary to create clearance in order to open and close the door as well as to avoid the spacing for adequate ventilation around the refrigerator.

DIMENSIONS

Depth with handles	28" 15/16
Depth without handles	26" 3/8
Depth main box	23" 5/8
Height	69" 1/8
Width	31" 1/8
Counter Deep	yes

Refrigerator handles are provided separately with dedicated commercial code and packaging.

Disclaimer: while every effort has been made to insure the accuracy of the information contained in this brochure, Fratelli Bertazzoni reserves the right to change any part of the information at any time without notice.

Fratelli Bertazzoni, Bertazzoni and the winged wheel brand icon are registered trademarks of Bertazzoni Spa.

WWW.BERTAZZONI.COM



TO COOK BEAUTIFULLY
WWW.BERTAZZONI.COM