

MASTERPIECE
DOWNDRAFT RECIRCULATION MODULE
RECIRC36DF

Thermador® | *An American Icon*®

FEATURES & BENEFITS

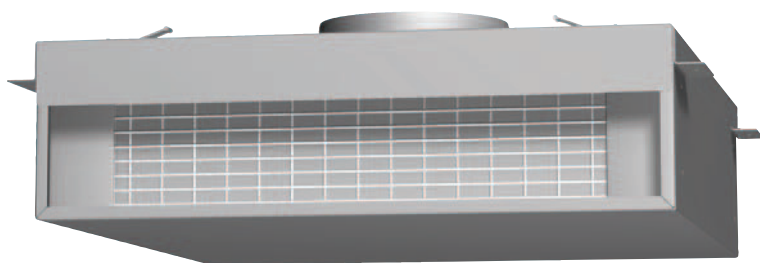
Downdraft recirculation is now possible in wall or island settings and is easy to install.

Ideal for difficult-to-duct situations.

The configuration fits 4" or taller toe kick.

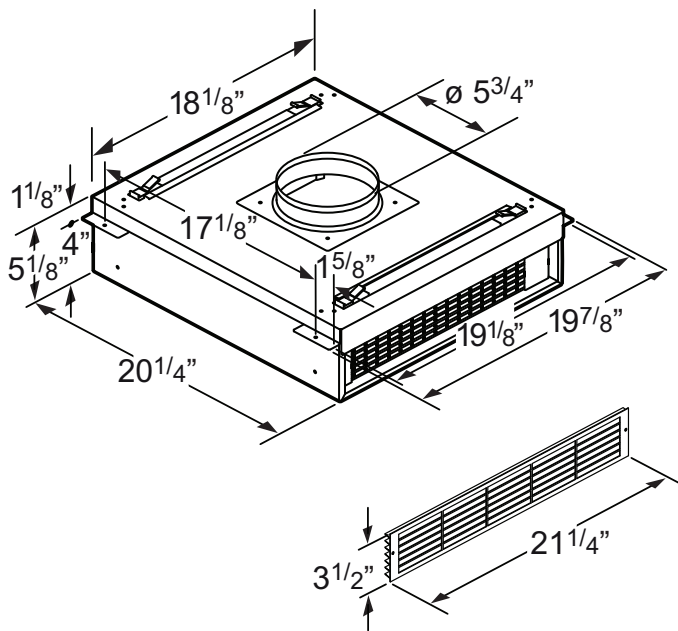
The module mounts to cabinet base, recessing into the socket area.

Socket (toe-kick) space can be vented in any direction.



MASTERPIECE
 DOWNDRAFT RECIRCULATION MODULE
 RECIRC36DF

Thermador® | *An American Icon*®



Disclaimer: To be used only with Thermador cooktops, downdrafts and blowers.

SKU	RECIRC36DF
Available Sizes (Width)	One Size fits all Downdrafts
Product Dimensions	20 1/4" W x 5 1/8" H x 19 1/8" D
Toe Kick Heights	4" or taller
Color / Finish	White
Installation Type	Cabinet base, Wall or Island
PRODUCT INFORMATION	
Duct Size	6" Round
Module Venting Direction	Left and right
Socket Venting Direction	Any: forward, back, left or right
Socket Venting Grids Included	2
Filter Type	Charcoal Filters
Number of Filters Included	2
Replacement Charcoal Filters	Sold Separately as a Service Item
Transition Ducting from Blower to Module	Included with Module
Control Type	None
Downdraft and Integrated Blower	Each Sold Separately