

RE241W

43.0" x 24.0" x 24.0" (H x W x D)

24" wide electric range in white finish with coil burners and large 3 cu.ft. oven

Highlights:

24" fit is ideal for smaller homes

Full 3 cu.ft. oven interior offers maximum capacity in a slim fit

Waist-high broiler lets you bake and broil with ease

Color matched handle and knobs for a clean kitchen look

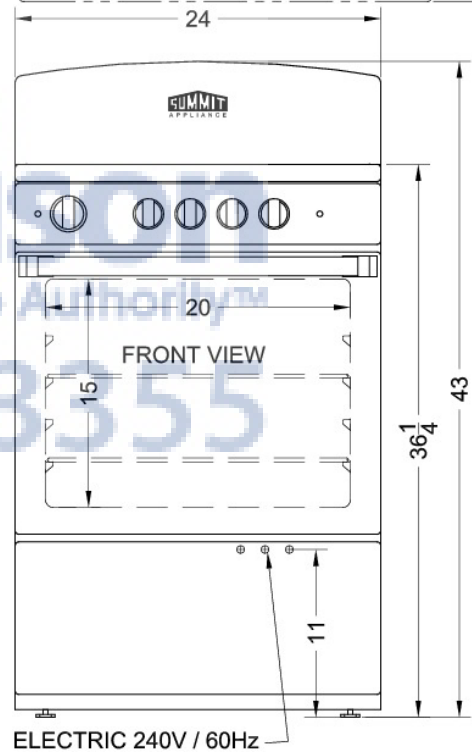
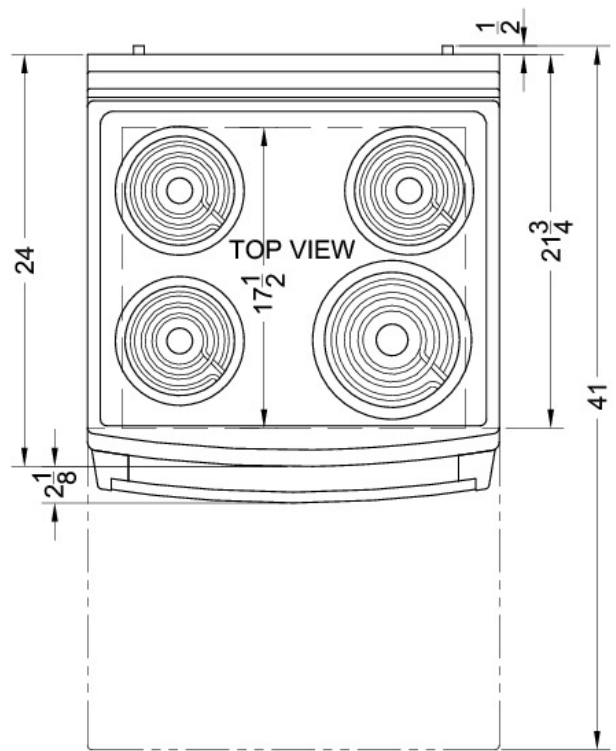


AjMadison
Your Appliance Authority™
800-570-3355

24" width	Perfectly sized for apartments and smaller home kitchens
Waist-high broiler	Broiler is located inside the oven, making it easier to use
Backsplash	High backing prevents stovetop contents from splashing up or boiling over and staining back walls
Four cooking zones	Surface features one 8" and three 6" coil elements to accommodate a range of sizes and cooking needs
Upfront controls	Control panel is conveniently located to prevent users from reaching over hot cooktop surface for adjustments
Chrome drip pans	Each element includes a removable chrome pan for easier cleaning
Textured cabinet	Fully finished white cabinet constructed from steel
Color matched knobs & handle	White-on-white design for an attractive look ideal for any kitchen
Indicator lights	Control panel includes an 'on' light for the oven and burners for added safety when using the range
Safety brake system for oven racks	Sliding racks will stay in your oven with special brake mechanism

RE241W Specifications:

Height	43.0"
Width	24.0"
Depth	24.0"
Capacity	3.0 cu.ft.
Ext Depth with Handle	26.13"
Shipping Weight	150.0 lbs.
Weight	135.0 lbs.
US Electrical Safety	UL
Oven Rack Quantity	2
Depth with door at 90°	41.0"
Burner Temperature Control	Dial
Burner Type	Coils
Number of Burners	4
Oven Cleaning Type	Manual
Oven Interior Height	15.0"
Oven Temperature Control	Dial
Cooktop Surface	Metal
Oven Interior Width	20.0"
Oven Interior Depth	17.5"
Parts/Labor Warranty	1 Year



AjMadison
Your Appliance Authority™
800-570-3355

Summit Appliance Division, Felix Storch, Inc.
770 Garrison Ave • Bronx, NY 10474
Phone: 718-893-3900 • Fax: 718-842-3093
Email: info@summitappliance.com