

RE201W

43.0" x 20.0" x 24.0" (H x W x D)

20" wide electric range in white finish with coil burners

Highlights:

- 20" width is ideal for space-challenged kitchens
- Color matched handles and controls for a clean kitchen look
- Waist-high broiler lets you bake and broil with ease
- Made in North America

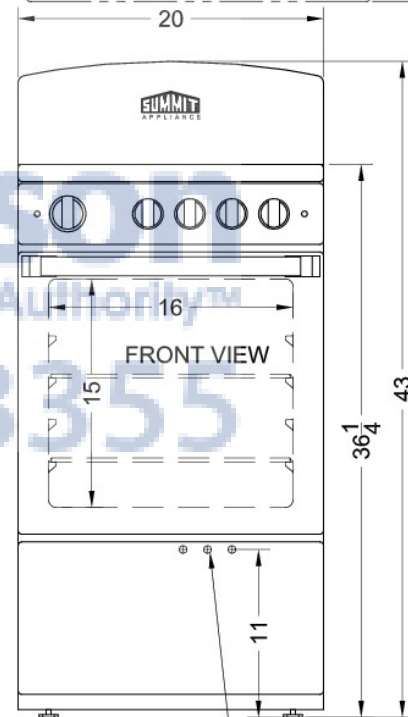
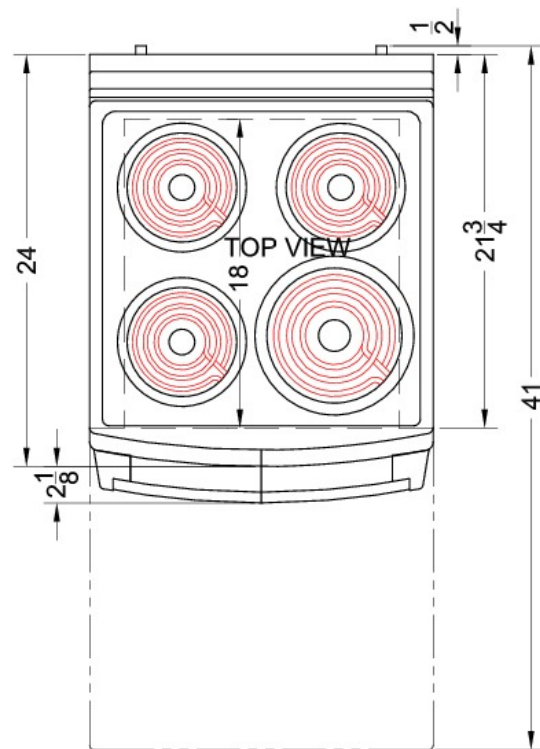


AjMadison
Your Appliance Authority™
800-570-3355

Thin-line design	Just 20" wide, but with a generously sized 2.41 cu.ft. oven to ensure full cooking capacity in smaller kitchen spaces
Waist-high broiler	Broiler is located inside the oven, making it easier to use
Backsplash	High backing prevents stovetop contents from splashing up or boiling over and staining back walls
Four coil elements with chrome drip pans	Surface features one 8" and three 6" coil elements to accommodate a range of sizes and cooking needs
Upfront controls	Control panel is conveniently located to prevent users from reaching over hot cooktop surface for adjustments
Chrome drip pans	Each element includes a removable chrome pan for easier cleaning
Textured cabinet	Fully finished white cabinet constructed from steel
Color matched knobs & handle	White-on-white design for an attractive look ideal for any kitchen
Indicator lights	Control panel includes an 'on' light for the oven and burners for added safety when using the range
Safety brake system for oven racks	Sliding racks will stay in your oven with special brake mechanism

RE201W Specifications:

Height	43.0"
Width	20.0"
Depth	24.0"
Capacity	2.41 cu.ft.
Ext Depth with Handle	26.13"
Shipping Weight	150.0 lbs.
Oven Rack Quantity	2
Depth with door at 90°	41.0"
Burner Type	Coils
Number of Burners	4
Burner Temperature Control	Dial
Cooktop Surface	Metal
Oven Interior Height	15.0"
Oven Temperature Control	Dial
Oven Interior Depth	18.0"
Backsplash	true
Oven Interior Width	16.0"
Oven Cleaning Type	Manual
Parts/Labor Warranty	1 Year



ELECTRIC 240V / 60Hz

AjMadison
Your Appliance Authority™
800-570-3355

Summit Appliance Division, Felix Storch, Inc.
770 Garrison Ave • Bronx, NY 10474
Phone: 718-893-3900 • Fax: 718-842-3093
Email: info@summitappliance.com