

**RB/RV 491-700**

- Fully integrated appliances. Doors open to a 115-degree angle, so that the large drawers can be pulled out completely.
- One asymmetrically split shelf and one motorized glass shelf to make best use of the refrigerator's interior space.
- Integrated automatic ice maker in the freezer drawer.

Niche height 84".  
Niche width 36"  
Net volume 19.6 cu.ft.

Electronic temperature control with digital temperature display, Dynamic cool air distribution with Multi-Flow Air System. Activated charcoal filter. Automatic defrosting. Open-door and malfunction warning system.

**Cooling compartment:**

Net volume 14.3 cu.ft. No-frost technology with fast cooling. Temperature adjustable from 35° to 46°F. Two continuous safety glass shelves with aluminum profiles, one of which is motorized. Asymmetrically split shelf, manually adjustable. One continuous, fully extendable drawer with transparent front. Two fully extendable drawers with transparent front. Bright interior lighting with two ceiling spotlights and two halogen light pillars on the side. Solid aluminum door bins. One large gallon bin per door. Two height-adjustable bins per door. One bin with front flap per door.

**Freezer compartment:**

Net volume 5.4 cu.ft. No-frost technology with fast freezing. Temperature adjustable from 7° to -9°F. Four-star freezer compartment. Two fully extendable drawers. Interior lighting with two spot lights.

**Ice dispenser:**

Integrated automatic ice maker in the freezer compartment, with ice bin. Ice making capacity approx. 3.3 lbs./24 hrs. Supply at normal operation approx. 8.8 lbs. Ice maker can be switched off independently.

**Flat hinge.**

Door hinges on the right, reversible (for RB 491-700). Plan the power outlet and water connection behind the appliance per installation instruction.

**Bottom Freezer  
With integrated ice maker  
Fully integrated**

**RB 491-700**

**Two-door bottom freezer  
Width: 36"**

**RV 491-700**

**Three-door bottom freezer  
Width: 36"**

**Included in the price: ice scoop**

**Planning notes:**

**Optional accessories:**

**RA 035-030**

Bottle cooler

**RA 421-910** Stainless steel door

panel with handles for RB 491. Panel thickness 3/4".

**RA 421-912** Stainless steel door

panel with handles for RV 491. Panel thickness 3/4".

**RA 421-930** Aluminum door

panel with handles for RB 491. Panel thickness 3/4".

**RA 421-932** Aluminum door

panel with handles for RV 491. Panel thickness 3/4".

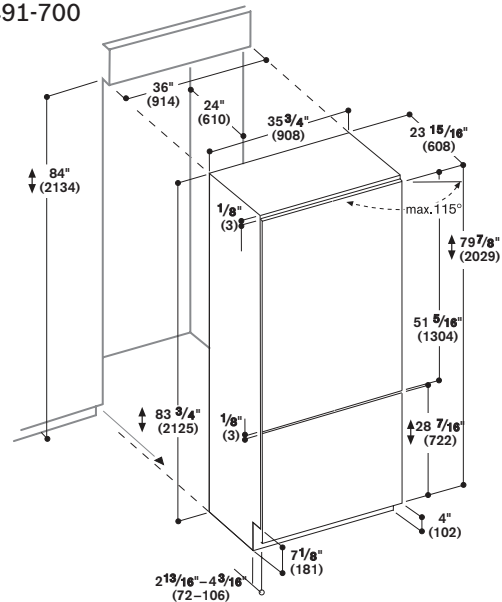
**RA 461-910** Ventilation grill

Stainless steel for RB 491 and RV 491.

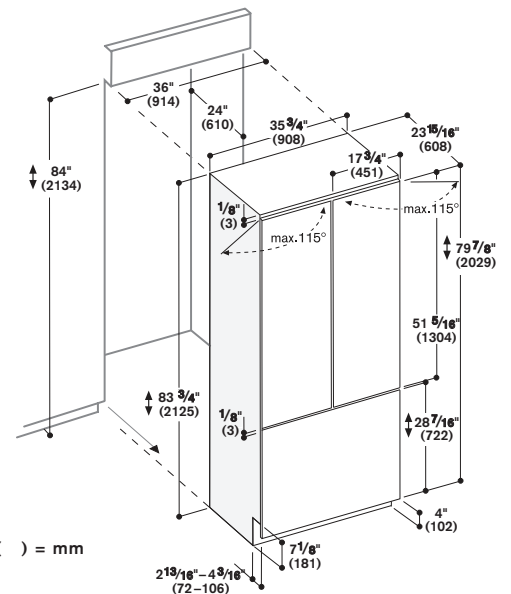
**Rating:**

Total connected load: 5.88 kW.  
Water connection.  
Connecting cable length 78".  
Supply hose length 118".  
Total Amps: 15 Amps  
120V/60Hz  
Energy consumption  
1.15/1.31 kWh/24 hrs.

**RB 491-700**



**RV 491-700**



Numbers indicated inside parenthesis ( ) = mm