

COOLDRAWER™ MULTI-TEMPERATURE DRAWER


RB36S & RB90S models


FRAMELESS CABINERY

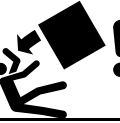
Important! SAVE THESE INSTRUCTIONS

The models shown in this document may not be available in all markets and are subject to change at any time. For current details about model and specification availability in your country, please go to our website fisherpaykel.com or contact your local Fisher & Paykel dealer.

① SAFETY AND WARNINGS

⚠ WARNING!	
	<p>Electrical shock hazard</p> <p>Disconnect product from main power supply before installing appliance. Failure to do so may result in electrical shock or death</p>

⚠ WARNING!	
	<p>Cut hazard</p> <p>Take care - panel edges are sharp. Failure to use caution could result in injury or cuts.</p>

⚠ WARNING!	
	<p>Tipping hazard</p> <p>Do not operate this appliance until it has been securely anchored inside the cabinetry. The cabinet must be securely anchored to the floor. Failure to use caution could result in injury or cuts.</p>

Important safety precautions!

- Installation of the CoolDrawer™ requires competent mechanical and electrical skills.
- Be sure to leave these Instructions with the Customer.
- Installation must comply with your local building and electricity regulations.
- At the completion of the CoolDrawer™ installation, the Installer must perform the Final Checklist.
- Remove all packaging materials supplied with the CoolDrawer™.
- The CoolDrawer™ is manufactured for indoor use only.

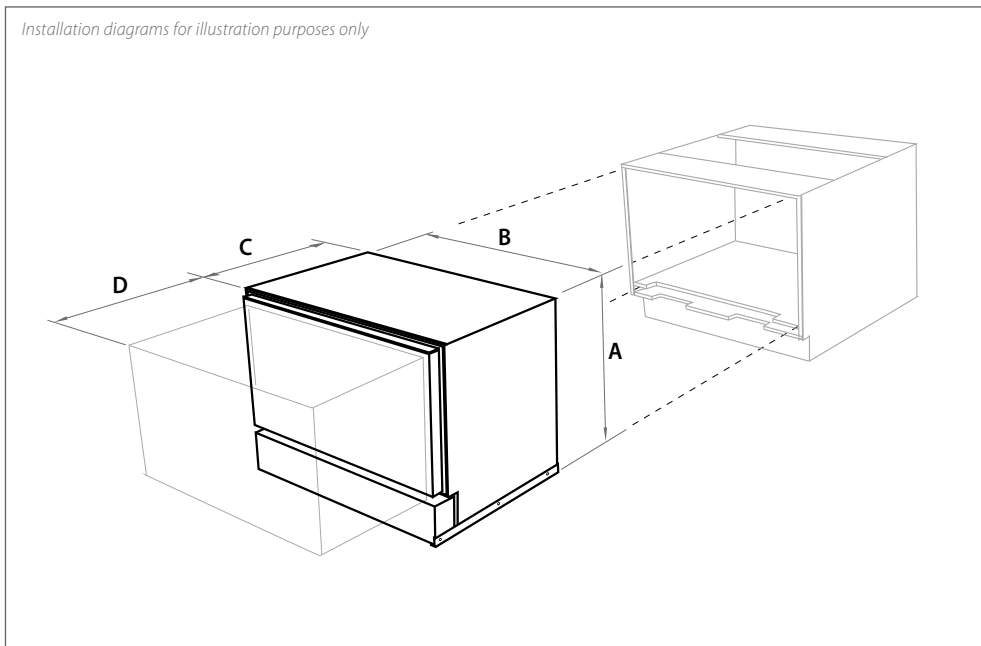
- The CoolDrawer™ MUST be installed to allow for future removal from the enclosure if service is required. Do not seal the CoolDrawer™ into the cabinetry with silicone or glue. Doing so will make future servicing difficult. Fisher & Paykel will not be liable for any costs associated with removing or replacing a sealed-in product, nor for repairing any damage that may be incurred by doing this.
- Care should be taken when the appliance is installed or removed to reduce the likelihood of damage to the power supply cord.
- Failure to install the CoolDrawer™ correctly will invalidate any warranty or liability claims.
- If the power supply cord is damaged, it must be replaced. Parts are available from your Authorised Fisher & Paykel dealer.
- This appliance is not intended for use by persons (including children) with reduced physical, sensory or mental capacities, or lack of experience and knowledge unless they are supervised or given instruction concerning use of the appliance.
- Cabinetry must be sufficiently robust to support a combined product and food load of 220 lb (100 kg). Bearers may be required to support the internal shelf.

Before you install the CoolDrawer™, please ensure that

- The switched power outlet must be outside the refrigerator drawer cavity so that it is accessible after installation.
- The switched power outlet must be located outside the cavity, within 55" (1400 mm) from the CoolDrawer™ cavity if situated on the left-hand side of the cavity and within 33 ½" (850 mm) if situated on the right-hand side of the cavity.
- The services hole in the refrigerator cavity needs to be large enough for the power supply plug to fit through.

② PRODUCT DIMENSIONS

Installation diagrams for illustration purposes only



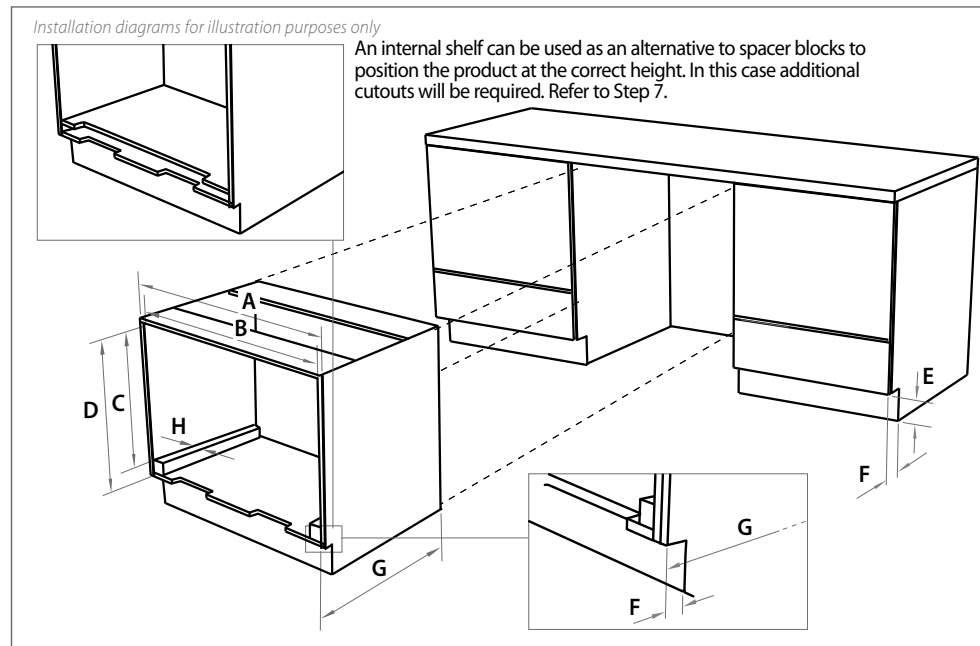
Product dimensions (inches [mm])

A	overall height of product (inc. installation brackets)	25 3/16" (640)
B	overall width of product	33 11/16" (855)
C	overall depth of product (excl. drawer panel; inc. power cord)	21 15/16" (557)
D	depth of drawer (open) (excl. handle)	20 1/2" (520)

CoolDrawer™
RB365
RB905

③ CABINERY DIMENSIONS

Installation diagrams for illustration purposes only



Cabinetry dimensions (inches [mm])

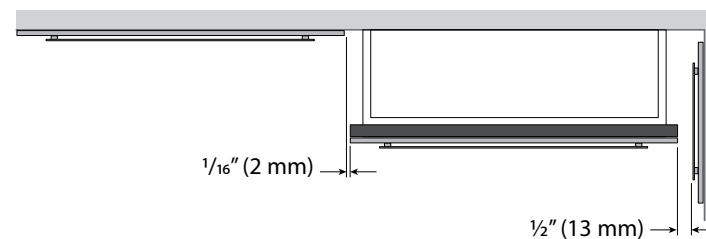
A	overall width of cabinetry frame	35 1/2" (900)
B	minimum inside width of cabinetry frame	34" (864)
C	internal height of cabinetry to top of spacer block	25 3/8" (644)
D	internal height of cabinetry* (to allow for product and outlet duct height)	min. 26 1/4" (665) max. 30 1/16" (764)
E	minimum height of toe kick	3" (75)
F	minimum depth** of toe kick	1 5/8" (40)
G	minimum distance from front of cabinetry to rear wall	22 1/16" (560)
H	width of spacer blocks	1 15/16" (50)

CoolDrawer™
RB365
RB905

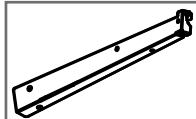
*Minimum internal height of cabinetry can be 25 3/8" (644 mm) if outlet duct is not used.

**All depth measurements are taken from the front face of the cabinetry frame (not drawer panel)

Minimum clearances (inches [mm])



4 PARTS SUPPLIED



Installation brackets
(left-hand and right-
hand side) (2)



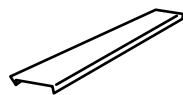
Phillips
5/8" (16 mm)
wood screw (6)



Trim brackets (4)



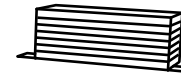
Pan Head
5/8" (16 mm)
screw (12)



Installation
trims (2)



Power
cord (1)



Outlet duct (1)



Pan Head
5/8" (16 mm)
screw (2)

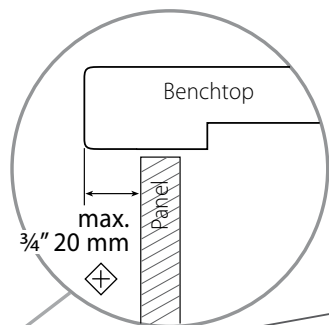


Drawer Panel
attachment
hooks (3)



Phillips 5/8"
(16 mm)
wood
screws (6)

5 CAVITY PREPARATION

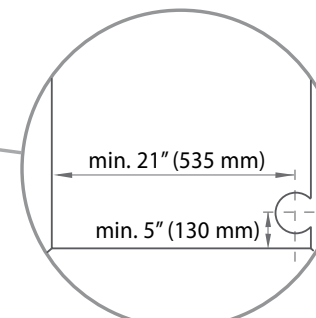
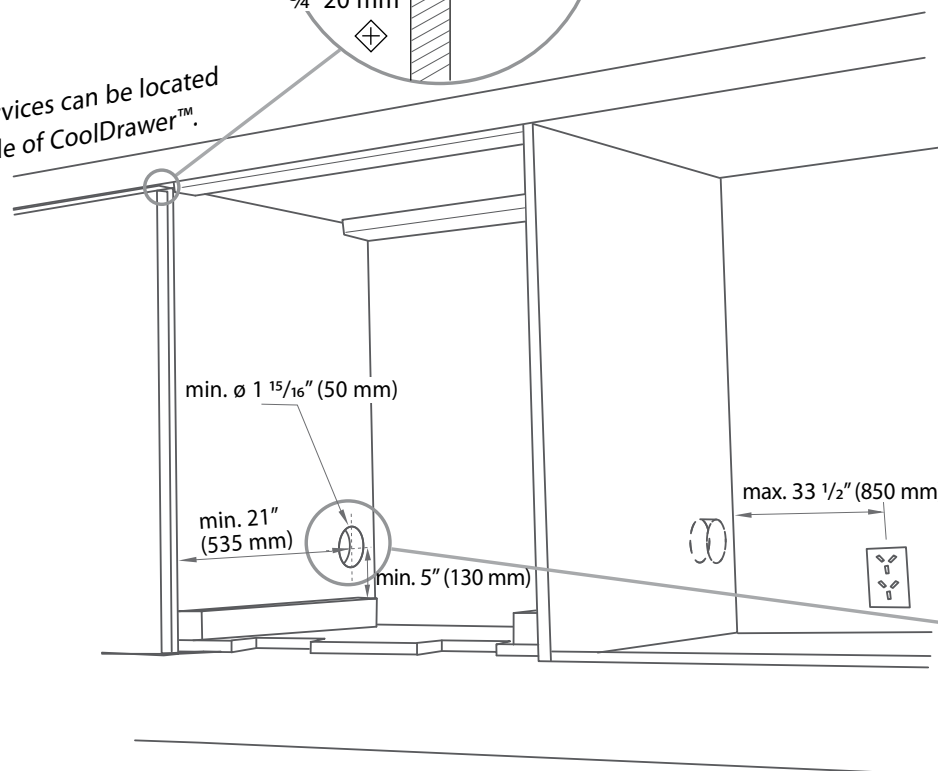


Important!

Disconnect power to surrounding appliances before preparing cavity.

⊕ Recommended to allow the vertical removal of the refrigerator bins.

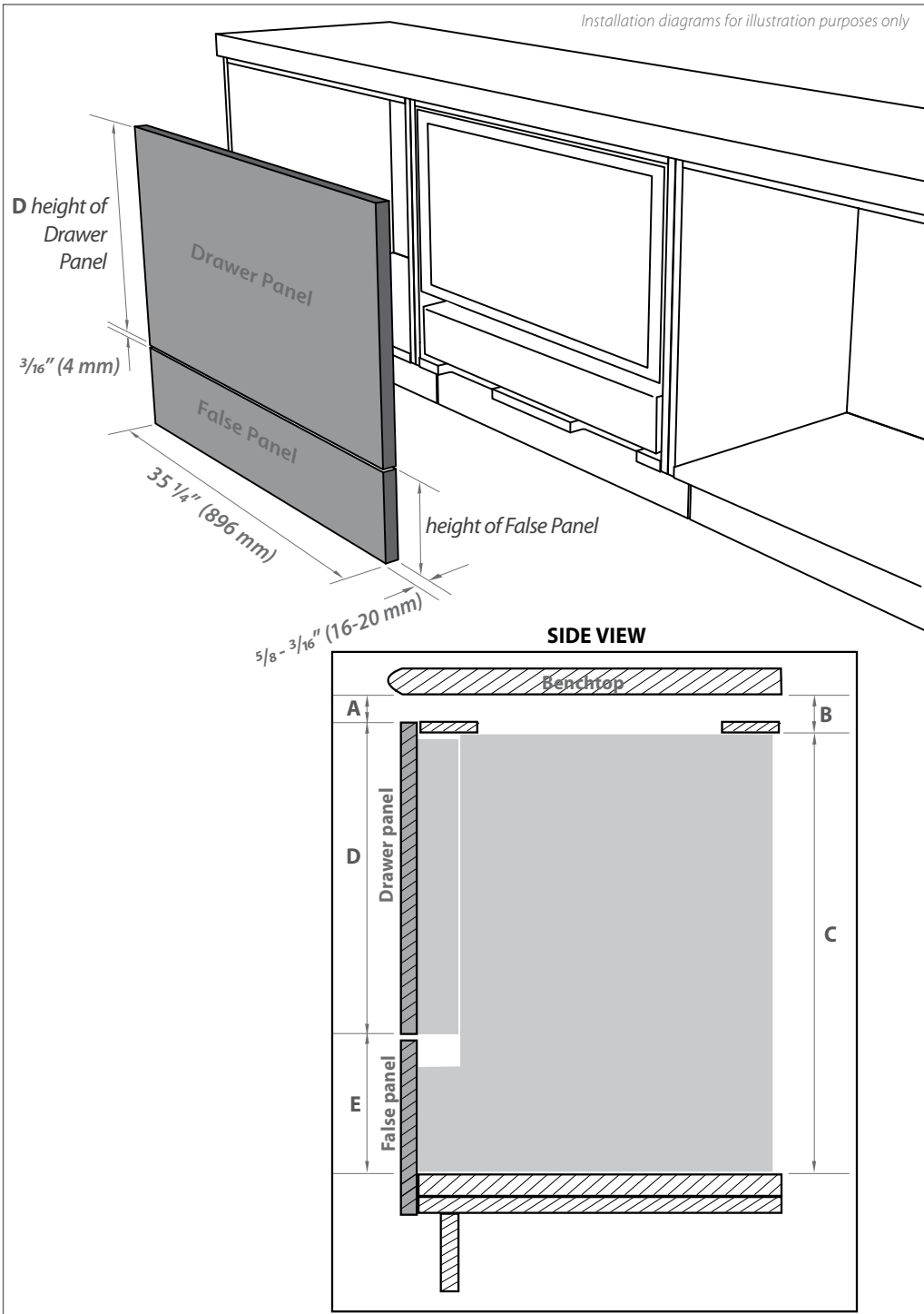
Note: Services can be located
either side of CoolDrawer™.



Shows cutout if cabinetry depth at
minimum 21 5/8" (550 mm)

⑥ INTEGRATED PANEL PREPARATION

Installation diagrams for illustration purposes only



Integrated Panel material

- $5/8 - 13/16$ " (16 - 20 mm) panel thickness ($3/4$ " [18 mm] recommended).
- Maximum weight of 15.5 lb (7 kg).
- Adequately sealed to withstand moisture (122°F/50°C @ 80% RH).

Height of Drawer Panel

- The following information is required to correctly define your drawer panel height:

Dimension	Data Source
A Clearance between top of Drawer panel and underside of benchtop	Your kitchen designer
B Height between underside of cabinetry ceiling and underside of benchtop	Your kitchen designer
C Internal height of cabinetry to top of spacer block	25 $3/8$ " (644 mm)
D Drawer panel height	Calculated from A, B, C & E
E Bottom face of Drawer panel to top of spacer block (to ensure that bottom cover of product is not exposed)	Your kitchen designer (Min. 6 $1/16$ " [154 mm]) (Max. 7 $1/4$ " [184 mm])

To calculate D complete the following equation:

$$D = C + B - A - E$$

i.e. For the F&P prefinished panel:

$$18 \frac{3}{4}" (476 \text{ mm}) = 25 \frac{3}{8}" (644 \text{ mm}) + \frac{1}{16}" (18 \text{ mm}) - \frac{1}{16}" (2 \text{ mm}) - 7 \frac{1}{4}" (184 \text{ mm})$$

Height of the False Panel

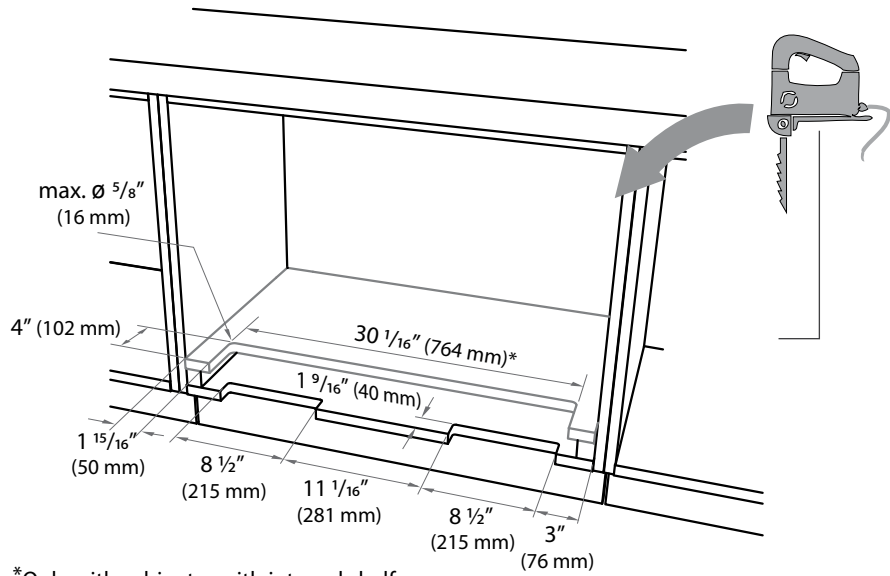
- Determine the height of the false panel according to your individual kitchen cabinetry requirements maintaining a $3/16$ " (4 mm) gap between panels.

F&P prefinish panel width is 35 $1/4$ " (896 mm) assuming a $1/16$ " (2 mm) clearance either side of panel height (D) is 18 $3/4$ " (476 mm).

Note B must be min. $5/8$ " (16 mm) to ensure adequate clearance to benchtop.

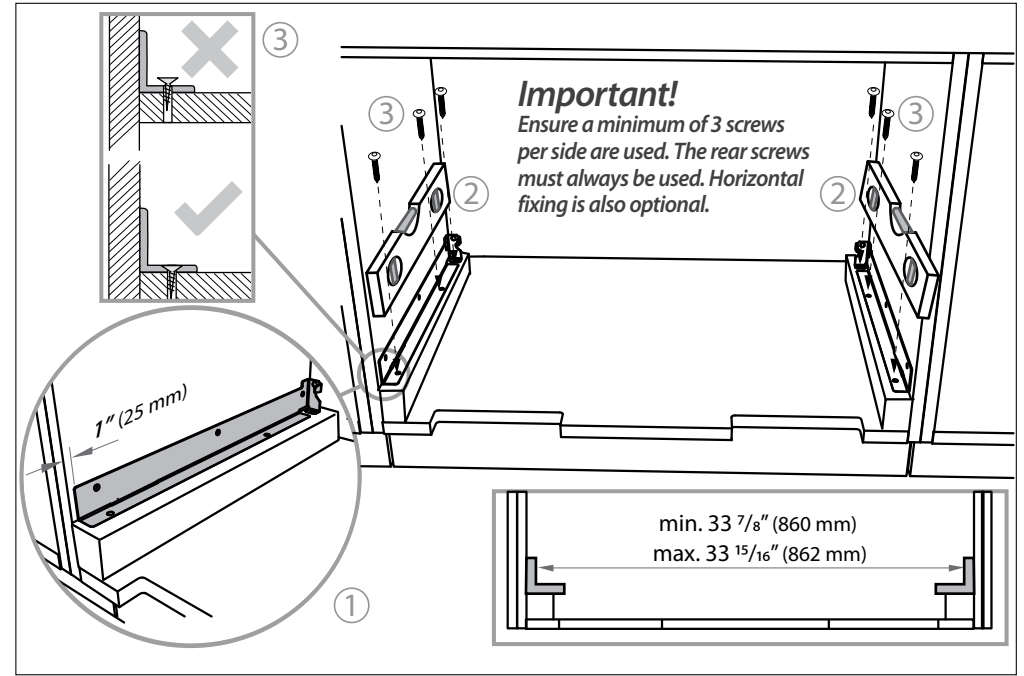
7 CREATE CUTOUTS IN FRAME

If the cabinetry does not already have cutouts, ensure the modifications below are made.

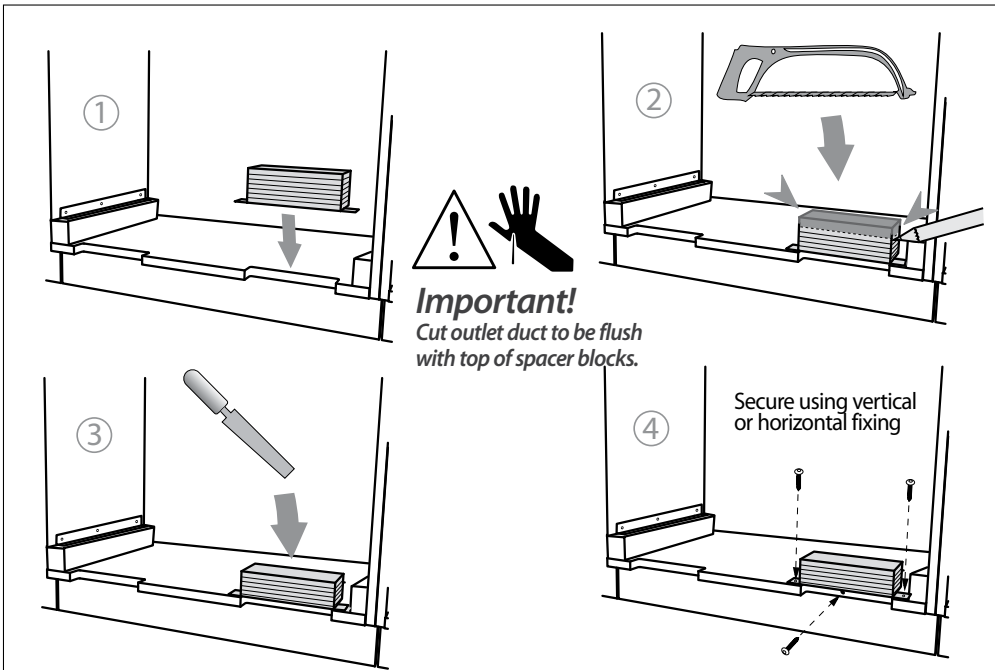


*Only with cabinetry with internal shelf

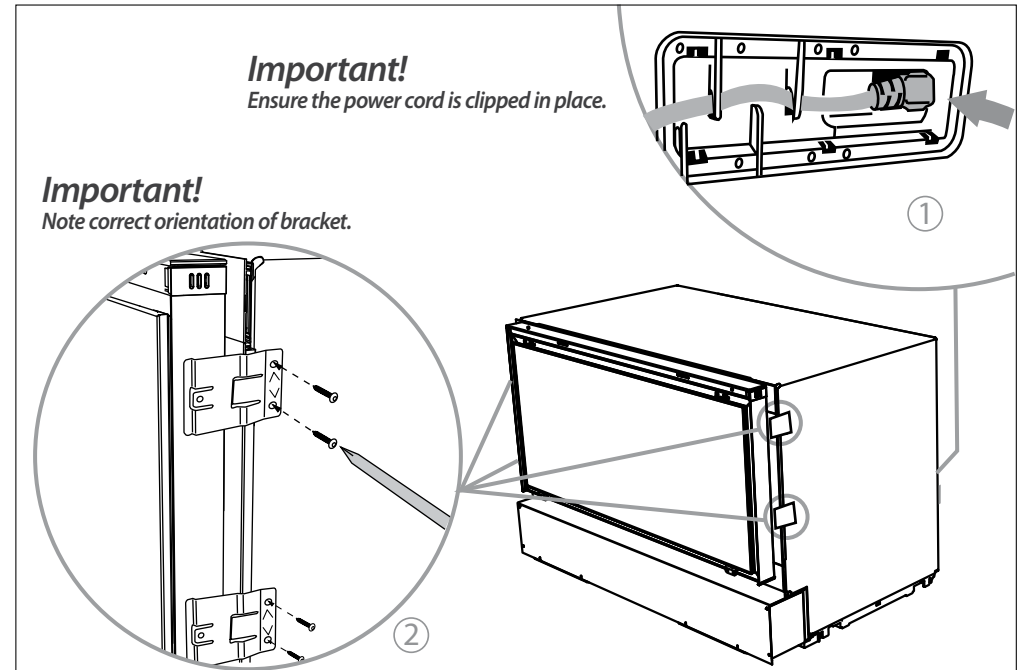
8 LOCATE & SECURE INSTALL BRACKETS



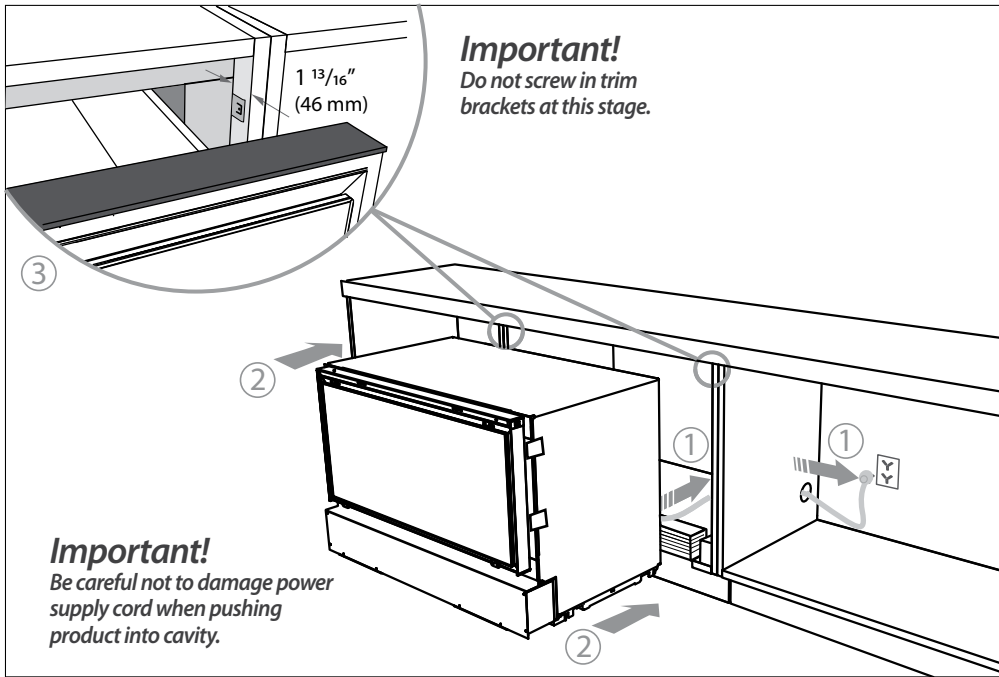
9 ATTACH OUTLET VENT DUCT



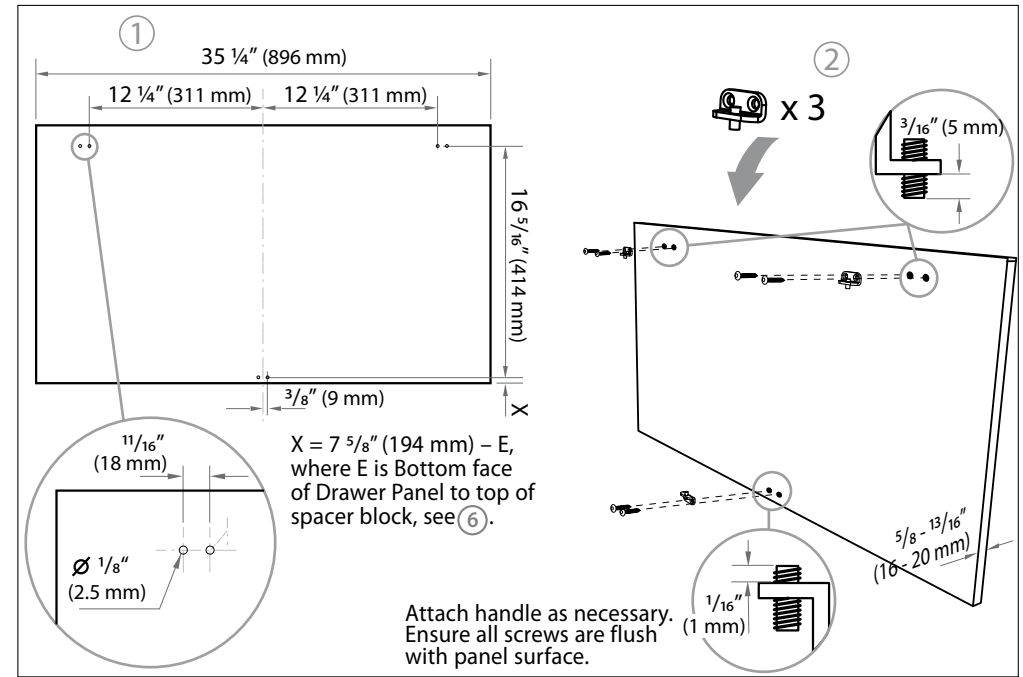
10 ATTACH POWER CORD & TRIM BRACKETS



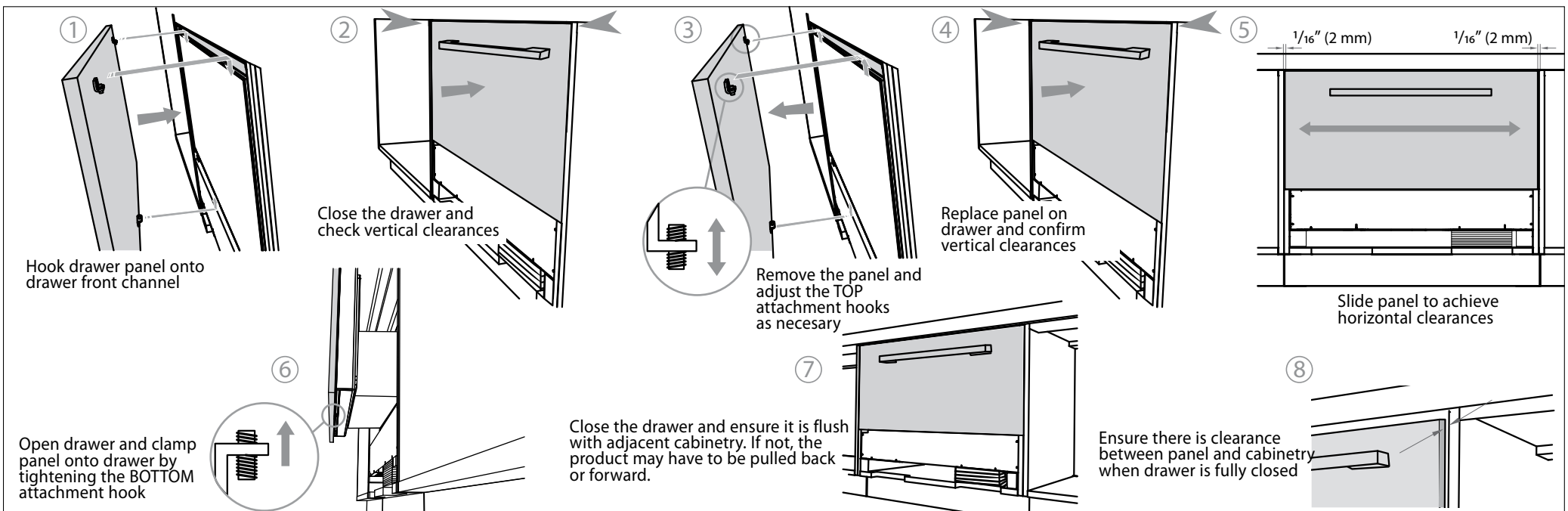
11 MOVE PRODUCT INTO CAVITY



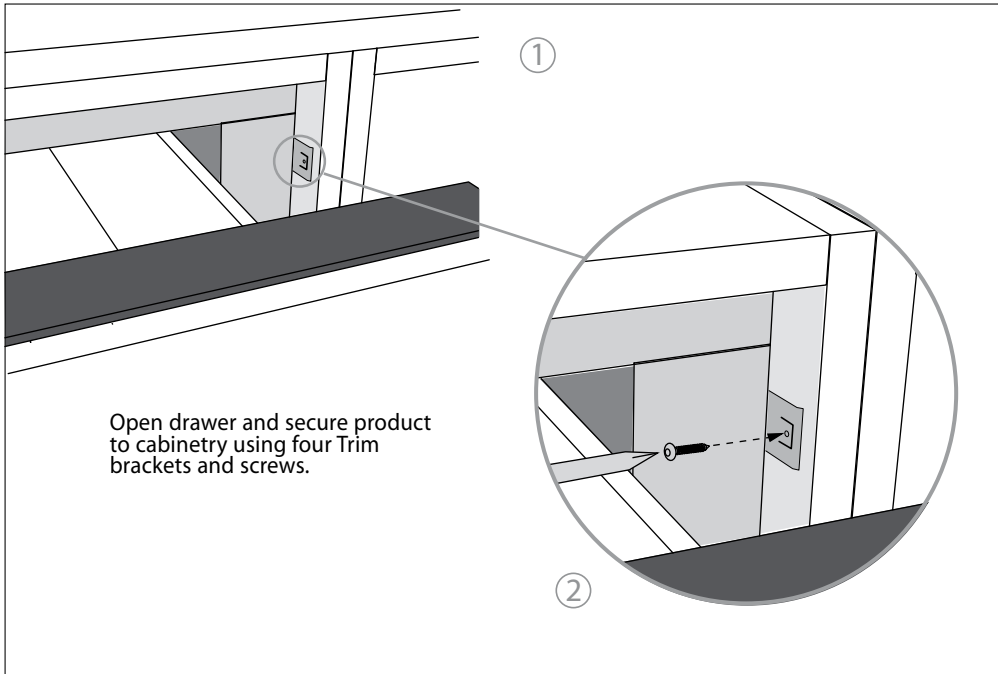
12 FIT DRAWER PANEL ATTACHMENT HOOKS



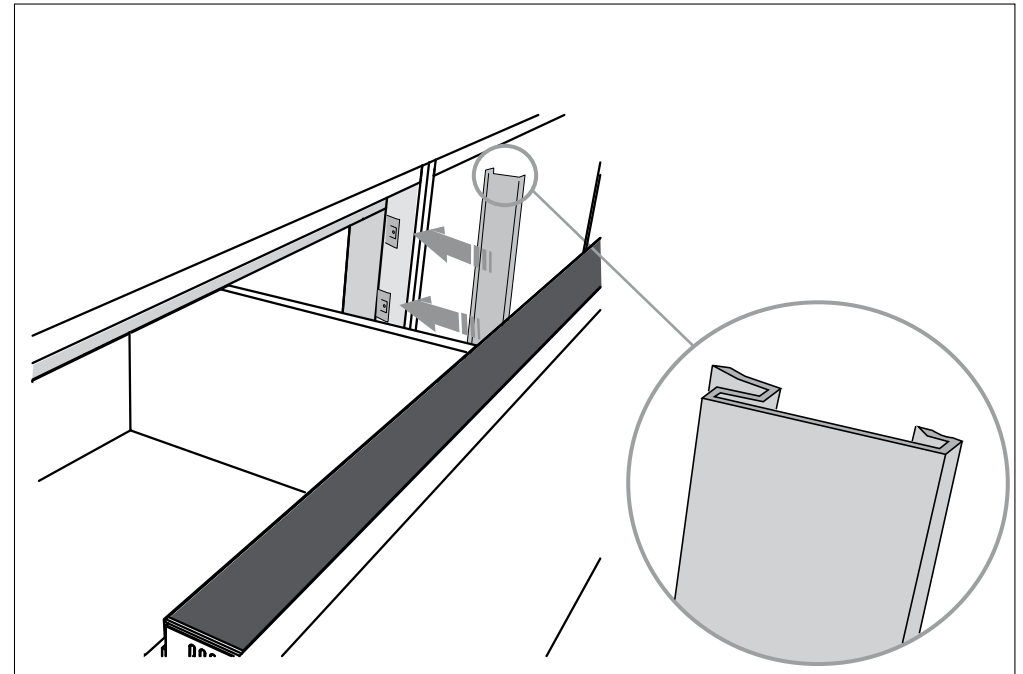
13 ATTACH DRAWER PANEL TO FRONT OF DRAWER



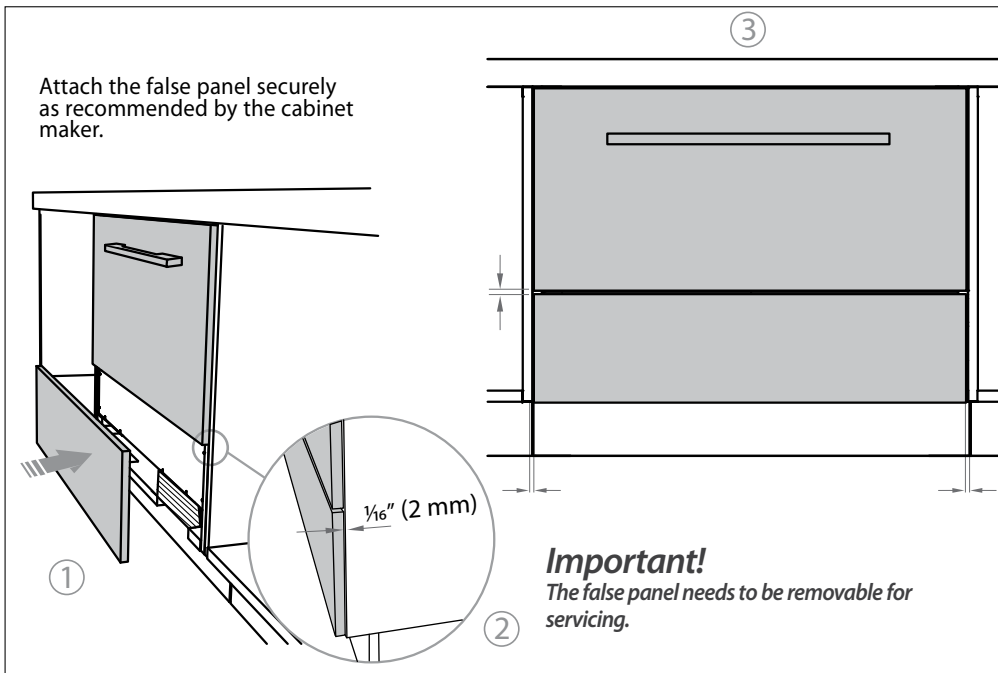
14 SECURE PRODUCT TO CABINETRY



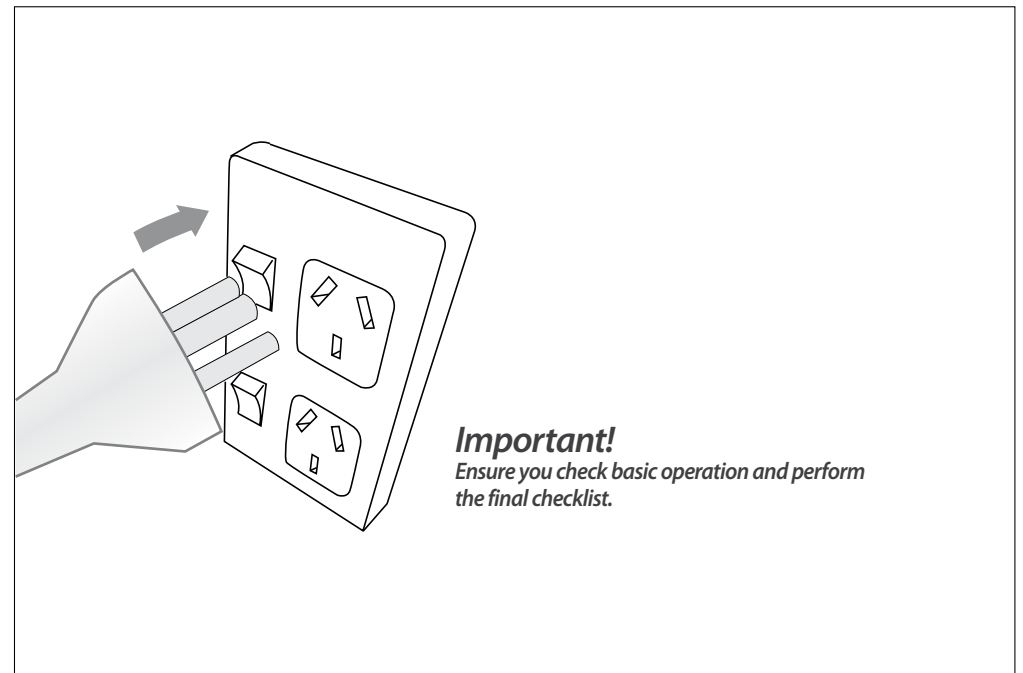
15 ATTACH TRIMS TO SIDES OF CABINETRY



16 ATTACH FALSE PANEL



17 CHECK OPERATION



18 FINAL CHECKLIST

TO BE COMPLETED BY THE INSTALLER



- Has all packaging been removed from the appliance?
- Is the appliance securely fastened to the cabinetry?
- Does the drawer slide freely and close properly?
- Has the outlet duct been installed correctly?
- Is the appliance level?
- Are the panels securely attached?
- Have the panels been properly aligned for correct operation and appearance? Are all clearances even?
- Is there clearance between drawer and cabinetry frame?
- Has the power cord been plugged into a properly earthed 3-prong outlet, which has been installed in accordance with all applicable electrical codes?

OPERATION:

- Is the control panel lit?
- Can you hear the compressor motor running?
- When a hand is placed near the toe kick, can airflow be felt under front right-hand side of appliance?
- Have you demonstrated the basic operation to the customer?

Installer's name: _____

Installer's signature: _____

Installation company: _____

Date of installation: _____

LEAVE THESE INSTRUCTIONS WITH THE CUSTOMER