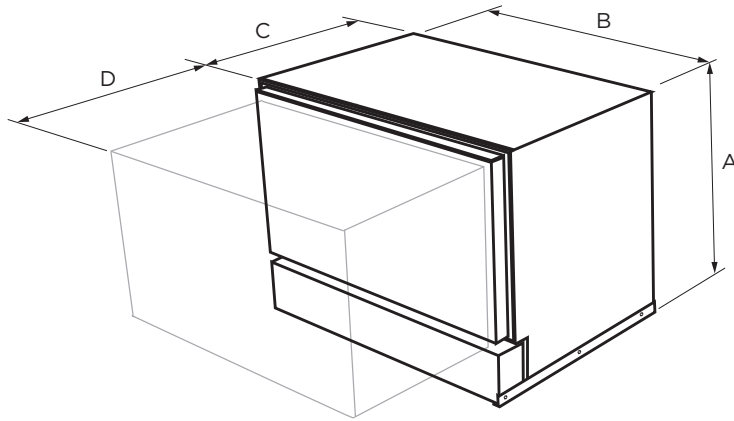


COOLDRAWER™ DIMENSIONS

RB36S25MKIW1



DIMENSIONS INCHES (MM)

	RB36S25MKIW1	
A Overall height of product (inc. installation brackets)	25 ³ / ₁₆ "	(640)
B Overall width of product	33 ¹ / ₁₆ "	(855)
C Overall depth of product (excl. drawer panel; inc. power cord)	21 ⁵ / ₁₆ "	(557)
D Depth of drawer (open) (excl. handle)	20 ¹ / ₂ "	(520)

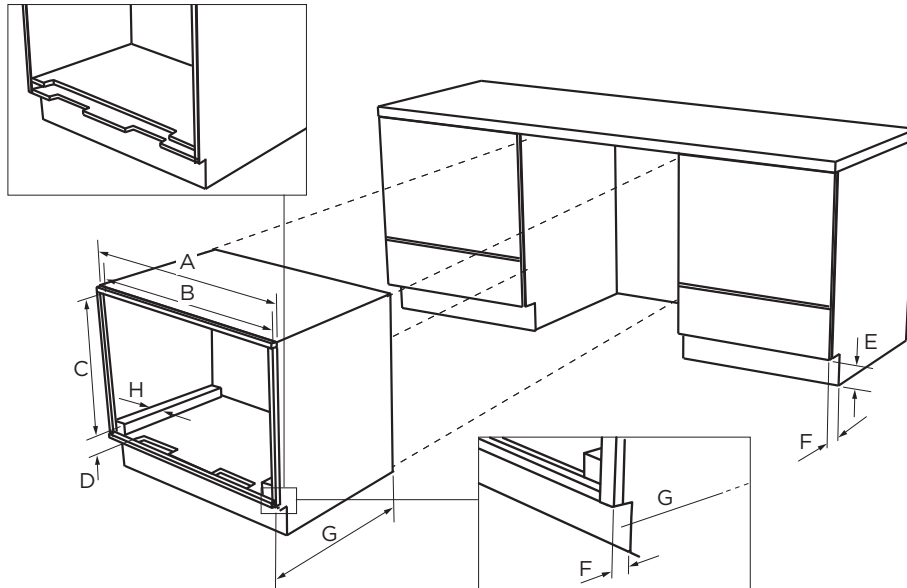
Product dimensions and specifications are listed as a guide only. For complete installation instructions and specifications, refer to the product Use & Care Guide/Installation Instructions available at www.fisherpaykel.com

Fisher & Paykel

fisherpaykel.com
1.888.936.7872

COOLDRAWER™ CABINET DIMENSIONS

RB36S25MKIW1



An internal shelf can be used as an alternative to spacer blocks to position the product at the correct height. In this case additional cutouts will be required. Refer to complete installation instructions.

DIMENSIONS INCHES (MM)

RB36S25MKIW1

A	Overall width of cabinetry frame	36" (914)
B	Min. inside width of cabinetry frame	34" (864)
C	Height from frame inner face to top of spacer block	25 3/8" (644)
D	Height below top of spacer block to frame inner* (to allow for outlet duct height)	Max. 4 3/4" (120) Min. 7/8" (21)
E	Min. height of toe kick	3" (75)
F	Min. depth** of toe kick	1 5/8" (40)
G	Min. distance from front of cabinetry to rear wall	22 1/16" (560)
H	Width of spacer blocks	1 15/16" (50)

*Min. internal height of cabinetry frame can be 25 3/8" (644mm) if outlet duct is not used.

**All depth measurements are taken from the front face of the cabinetry frame (not drawer panel)

Product dimensions and specifications are listed as a guide only. For complete installation instructions and specifications, refer to the product Use & Care Guide/Installation Instructions available at www.fisherpaykel.com

Fisher & Paykel

fisherpaykel.com
1.888.936.7872