

# Integrated Refrigerator Freezer, 24"

Series 7 | Integrated

Panel Ready | Reversible hinge

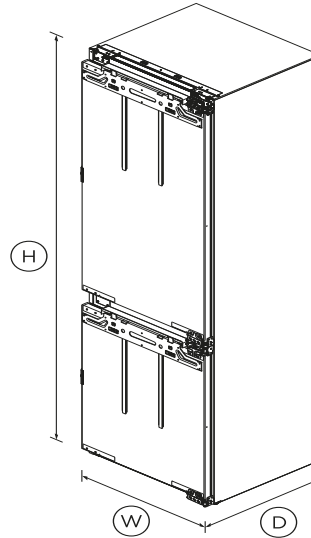


Integrates seamlessly into surrounding cabinetry with a flush fit, and a reversible hinge to suit your kitchen design.

- Customize with your own kitchen cabinetry or purchase our stainless steel door panel
- Spacious bottom freezer with easy-slide internal drawers to separate storage
- With an independently operating Variable Temperature drawer, which you can set to a temperature between 23°F and 37°F.
- 8 cu ft total capacity

## DIMENSIONS

Height	69 3/4"
Width	21 7/8"
Depth	21 1/4"



## FEATURES & BENEFITS

### No more gaps

Our integrated products are designed to fit flush into your cabinetry. Customize your appliance with your own cabinetry and handle or purchase a stainless steel door panel and handle kit accessories.

### <<Missing Feature Title>>

Designed to allow optimal storage of fresh meat, produce, deli and dairy products at their ideal temperatures. Operating separately from the fridge and freezer, the drawer operates from

23°F and 37°F, with 37°F ideal for fruit and vegetables, 30°F perfect for fresh meats, and 23°F for fast chilling - keeping your food fresher for longer.

### Simple storage

This fridge is designed to make it simple for you to store, access and remove food. Storage bins give you full access inside when they're pulled open and can be easily removed to clean. Adjustable shelving in the main cavity and door provide flexible storage options.

### Fast freezing

When freezing fresh food, the freshness, texture and taste are retained with rapid freezing. The Fast Freeze function boosts the freezing speed by dropping the freezer to its coldest temperature (11°F) for 12 hours ensuring food is fast and fully frozen. Plus, you never need to worry about defrosting your fridge with the built-in frost-free function.

### Beautiful Lighting

Bright LEDs light up the ceiling, shelves, bins and tray in both fridge and freezer, making it easy to find your food and creating a welcoming glow in your kitchen for those midnight snacks.

### Easy installation

Our integrated products are easy to install, whether you are renovating your kitchen or designing a new one. They are designed for minimal gaps with adjustable door panels that can be customized to match your kitchen.

### Easy cleaning

Spill-safe secure glass shelves easily capture any drips or leaks and prevent them from falling on items below.

## SPECIFICATIONS

### Accessories

Contemporary round handle	AHS-RD70B
Contemporary square handle	AHD3-RD70B
Stainless Steel Door Panel Set (Left Hinge) RD2470BL, (Right	

Capacity	
Total gross capacity	7.96cu ft
Volume	7.96cu ft
Volume freezer	2.19cu ft
Volume refrigerator	5.76cu ft

Consumption	
Energy rating	Energy star
Energy usage	380kWh/year

Features	
Adjustable door shelves	3
Adjustable glass cantilevered	•
Adjustable glass shelves	2
Covered door shelves	2
Door alarm	•
Egg Trays	2
Fruit and vegetable bins	2
LED lighting	•
Rapid cool function	•
SmartTouch control panel	•
Variable temperature drawer	•

Freezer Features	
Fast freeze	•
Freezer temperature range	-11°F to +5°F / -24°C to -15°C

Performance	
Frost free freezer	•

Inverter controlled compressor	•
Sabbath mode	•
Variable temperature	•

Power requirements	
Rated current	10A
Supply frequency	60Hz
Supply voltage	120V

Product dimensions	
Depth	21 1/4"
Height	69 3/4"
Width	21 7/8"

Product information	
Unpackaged weight	75kg

Warranty	
Parts and labor	2 years
Sealed system parts and labor	additional 3 years
Sealed system parts only	5 years

SKU	25381
-----	-------

The product dimensions and specifications in this page apply to the specific product and model. Under our policy of continuous improvement, these dimensions and specifications may change at any time. You should therefore check with Fisher & Paykel's Customer Care Centre to ensure this page correctly describes the model currently available. ? Fisher & Paykel Appliances Ltd 2020

Other product downloads available at fisherpaykel.com

- [↓](#) User Guide
- [↓](#) Installation Guide
- [↓](#) Installation Guide
- [↓](#) Install Guide - Water Filter Replacement

24/7

**A PEACE OF MIND SALE**  
**24 Hours 7 Days a Week Customer Support**  
 T 1.888.936.7872 **W**www.fisherpaykel.com