

AEE18DK

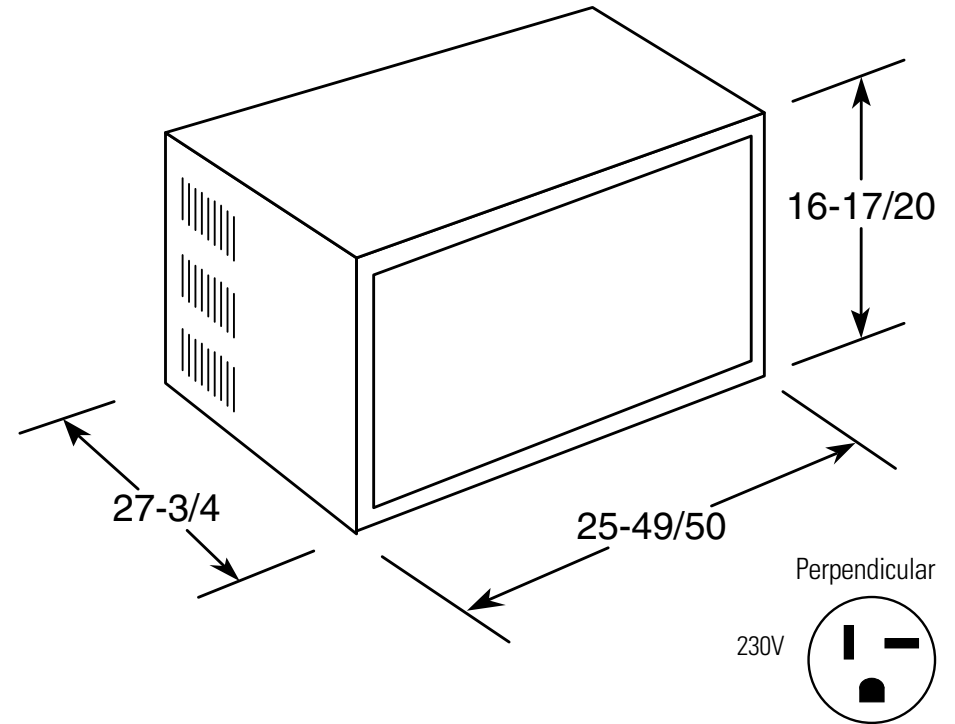
GE® 230 Volt Heat/Cool Series Room Air Conditioner

Wall Case Dimensions and Installation Information (in inches)

Note: When installing slide-out chassis units in through-the-wall applications, keep louvers free. Do not restrict air flow areas. Fixed chassis units are not suitable for through-the-wall applications.

Wall Outlets: All wiring including installation of receptacle must be made in accordance with local electrical codes and regulations. Electrical outlet should be in reach of line cord.

Note: Aluminum wiring may pose special problems – consult a qualified electrician.



For answers to your Monogram®, GE Profile™ or GE® appliance questions, visit our website at ge.com or call GE Answer Center® service, 800.626.2000.



imagination at work



Total volume and shelf area are calculated by the Association of Home Appliance Manufacturers' standards.



Listed by Underwriters Laboratories

AEE18DK

GE® 230 Volt Heat/Cool Series Room Air Conditioner

Features and Benefits

- 17,200/17,800 Cooling BTU
- 9.7/9.7 EER
- 3.0 Dehumidification (pints/hr)
- 230/208 Volts
- 2 Cooling / 1 Fan Only Speeds
- Model AEE18DK - Light cool gray

