

# AEE12DK

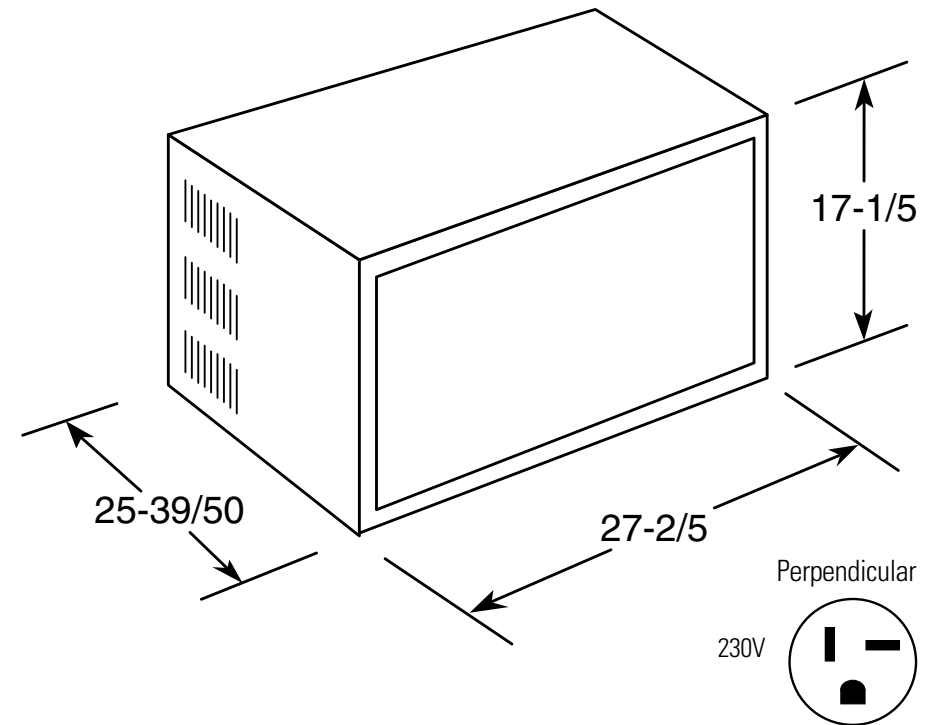
## GE® 230 Volt Heat/Cool Series Room Air Conditioner

### Wall Case Dimensions and Installation Information (in inches)

**Note:** When installing slide-out chassis units in through-the-wall applications, keep louvers free. Do not restrict air flow areas. Fixed chassis units are not suitable for through-the-wall applications.

**Wall Outlets:** All wiring including installation of receptacle must be made in accordance with local electrical codes and regulations. Electrical outlet should be in reach of line cord.

**Note:** Aluminum wiring may pose special problems – consult a qualified electrician.



For answers to your Monogram®, GE Profile™ or GE® appliance questions, visit our website at [ge.com](http://ge.com) or call GE Answer Center® service, 800.626.2000.



Total volume and shelf area are calculated by the Association of Home Appliance Manufacturers' standards.



Listed by Underwriters Laboratories

# AEE12DK GE® 230 Volt Heat/Cool Series Room Air Conditioner

## Features and Benefits

- 11,600/11,800 Cooling BTU
- 9.8/9.8 EER
- 2.0 Dehumidification (pints/hr)
- 230/208 Volts
- 2 Cooling / 1 Fan Only Speeds
- Model AEE12DK - Light cool gray

