

# GLD5600/60N

## GE® Tall Tub Built-In Dishwasher

### Dimensions and Installation Information (in inches)

#### Electrical Rating

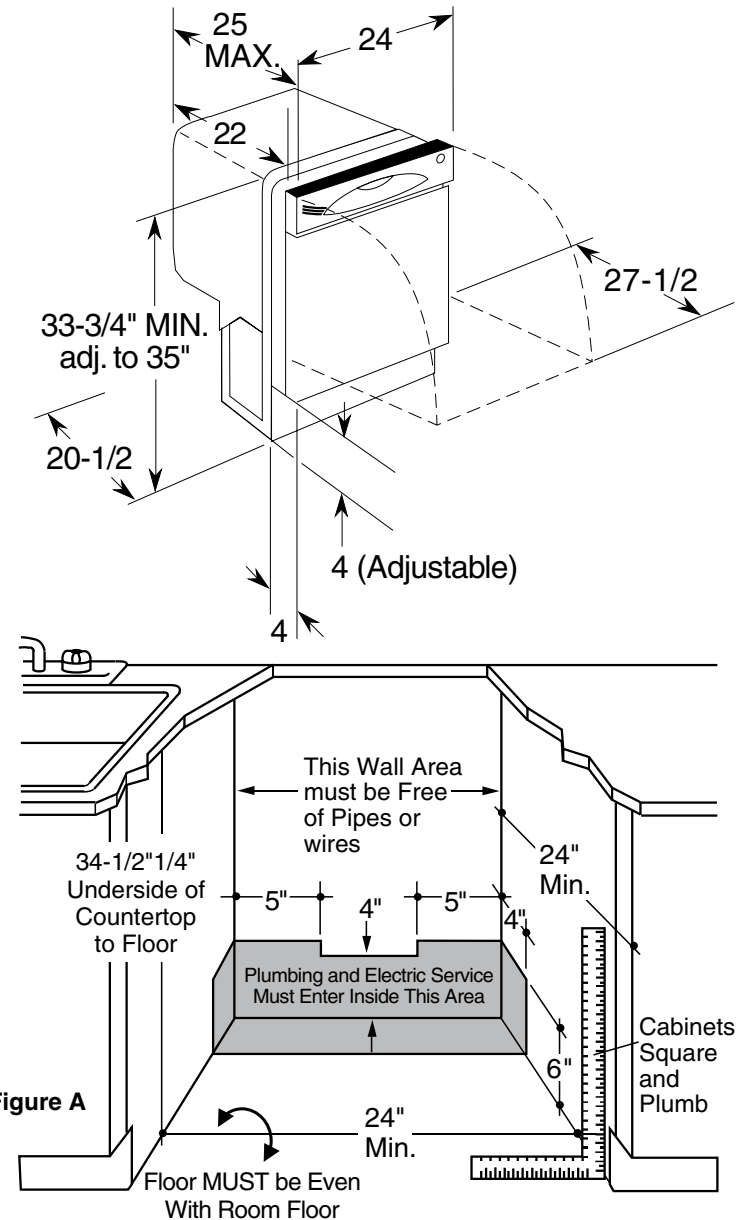
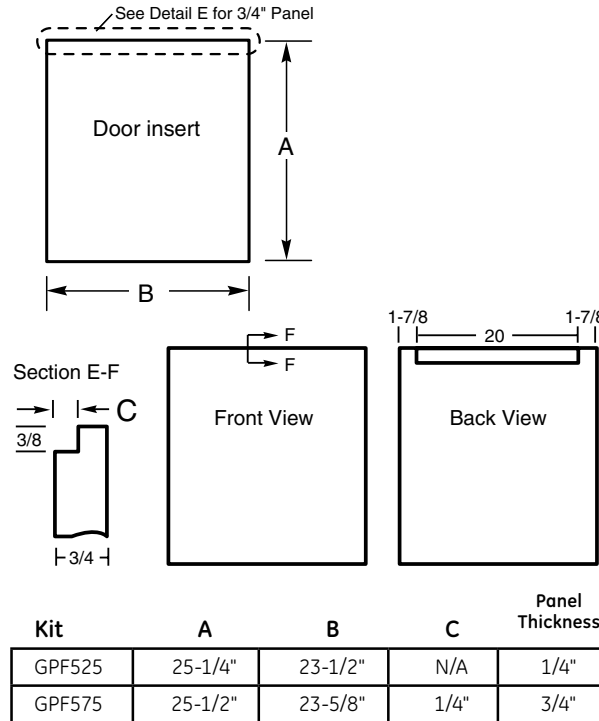
Voltage AC.....	120
Hertz.....	60
Total connected load amperage.....	10
Calrod® heater watts max.....	875

For use on adequately wired 120-volt, 15-amp circuit having 2-wire service with a separate ground wire. This appliance must be grounded for safe operation.

**Note:** The rough cabinet opening must be at least 24" deep, 24" wide and approximately 34-1/2" high from floor to underside of the countertop. Dishwasher must not be installed more than 10 feet from sink for proper drainage. All plumbing and electrical work must be in accordance with local codes. The power cord and connections must comply with the National Electrical Code Section 422 and/or local codes and ordinances. The cord must be no longer than 6 ft. from the junction box to the receptacle.

**Installation Information:** Before installing, consult installation instructions packed with product for current dimensional data.

For answers to your Monogram®, GE Profile™ or GE® appliance questions, visit our website at [ge.com](http://ge.com) or call GE Answer Center® service, 800.626.2000.



Listed by Underwriters Laboratories



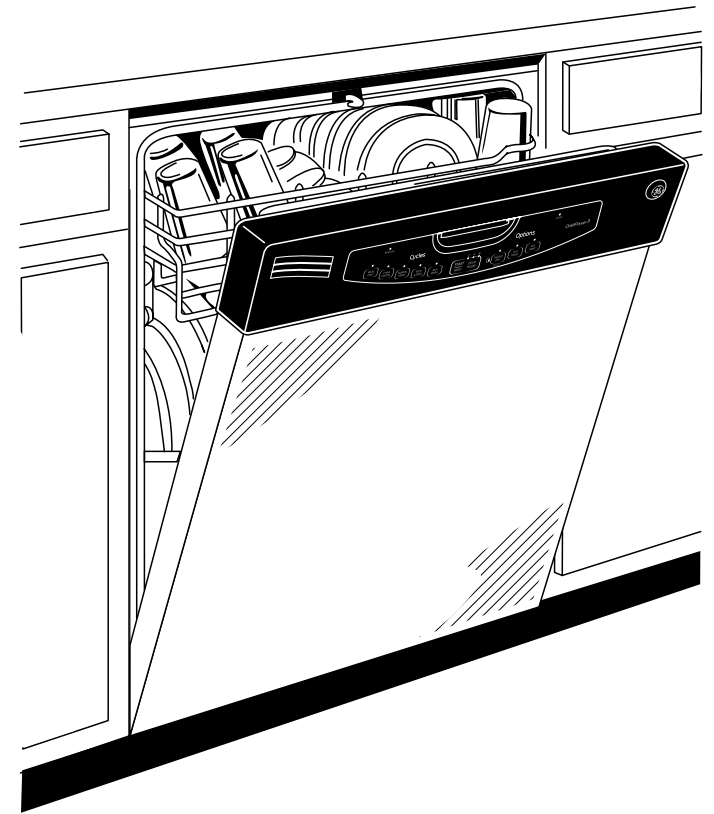
As an ENERGY STAR® partner, GE has determined that this product meets the ENERGY STAR guidelines for energy efficiency.

# GLD5600/60N

## GE® Tall Tub Built-In Dishwasher

### Features and Benefits

- Giant Tub with Maximum Capacity Nylon Racking - Holds tall and oversized items; washes 16 place settings at once
- 2 Utility Shelves in Upper Rack - Creates space in the upper rack for cups and utensils
- 6-Level BrilliantClean™ Towerless Wash System - Quietly and efficiently powers dishes clean using remarkably less water and energy; 6 wash levels and three wash arms direct water onto dishes just where it's needed
- SaniSensor™ - Continually measures water temperature to sanitize dishes
- Electronic Controls with 5 Cycles/4 Options - Make it simple to select from a wide range of wash cycles
- QuietPower™ 3 Sound Package - Dramatically reduces the sound of washing the dishes
- 2/4/8-Hour Delay Start - Makes it easier than ever to wash dishes at any hour taking advantage of reduced energy rates or washing dishes even when the family is asleep
- 100% Triple Water Filtration - Water stays clean, so just-washed dishes do, too
- SaniWash Cycle - Sanitizes tableware by reducing 99.999% of bacteria found on dishes
- HotStart™ Option - Preheats water before the main wash cycle for dependable performance every time
- Model GLD5600NWW - White on white
- Model GLD5600NCC - Bisque on bisque
- Model GLD5600NBB - Black on black
- Model GLD5660NSS - Stainless steel



imagination at work