

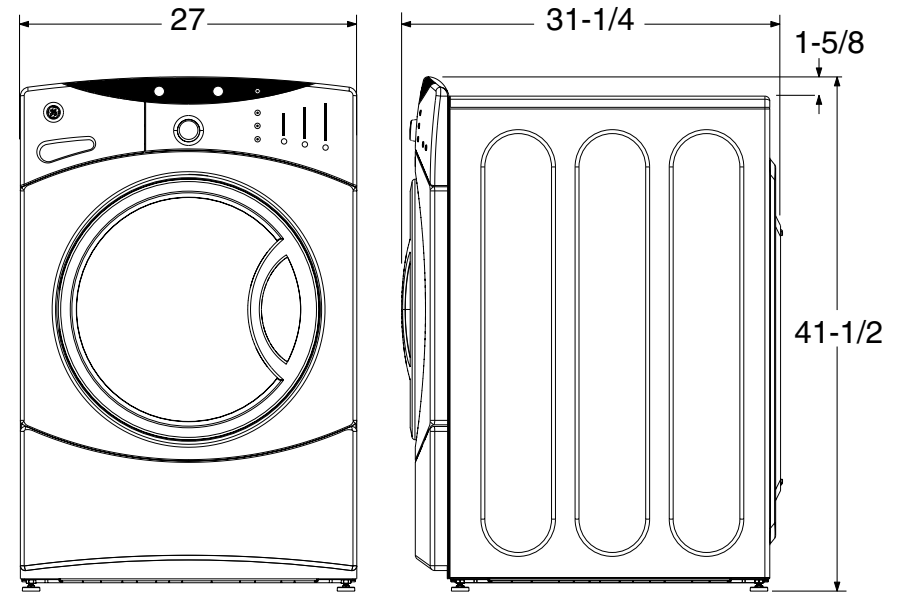
WCVH6260H

GE® ENERGY STAR® 3.7 IEC Cu. Ft. King-Size Capacity Frontload Washer with Stainless Steel Basket

Dimensions and Installation Information (in inches)

Electric Dryer Rating	
120V	12.0A, 60Hz

Installation Information: For complete information, see installation instructions packed with your washer.



For answers to your Monogram®, GE Profile™ or GE® appliance questions, visit our website at ge.com or call GE Answer Center® service, 800.626.2000.



WCVH6260H

GE® ENERGY STAR® 3.7 IEC Cu. Ft. King-Size Capacity Frontload Washer with Stainless Steel Basket

Alcove or Closet Installation:

- If your dryer is approved for installation in an alcove or closet, it will be stated on a label on the dryer back.
- The dryer MUST be exhausted to the outside.
- Minimum clearances between dryer cabinet and adjacent walls or other surfaces are: 0" either side, 3" front and rear
- Minimum vertical space from floor to overhead cabinets, ceilings, etc. is 52".
- Closet doors must be louvered or otherwise ventilated and must contain a minimum of 60 sq. in. of open area equally distributed. If this closet contains both a washer and a dryer, doors must contain a minimum of 120 sq. in. of open area equally distributed.
- No other fuel-burning appliance shall be installed in the same closet with a gas dryer.

Bathroom or Bedroom Installation:

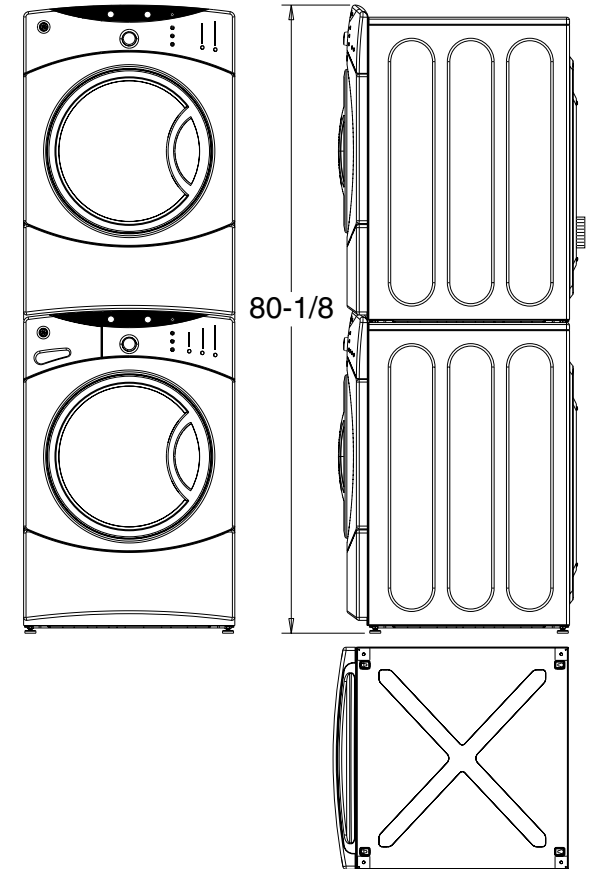
- The dryer MUST be exhausted to the outdoors.
- The installation must conform with the local codes, or in the absence of local codes, with the National Fuel Gas Code, ANSI Z223.

Minimum Clearance other than Alcove or Closet Installations:

- Minimum clearances to combustible surfaces 0" both sides, 3" rear.

For more information on venting kits and accessories, please call 1-800-GE-CARES.

Stacked Dimensions (in inches)



For answers to your Monogram®, GE Profile™ or GE® appliance questions, visit our website at ge.com or call GE Answer Center® service, 800.626.2000.



WCVH6260H

GE® ENERGY STAR® 3.7 IEC Cu. Ft. King-Size Capacity Frontload Washer with Stainless Steel Basket

Features and Benefits

- ENERGY STAR® Qualification - Means less energy waste and lower utility bills
- 3.7 Cu. Ft. IEC King-Size Capacity - Makes room for more items, such as a king-size comforter or 22 full-size bath towels
- Rotary Electronic Controls with LED and Adaptive Logic - Make it simple to select and monitor wash cycles
- HydroHeater™ Internal Heater - Increases wash temperature to clean tough stains on loads like white cottons
- HydroMotion™ Wash Action - Reversing wash action offers great cleaning performance with gentle wash motion
- HydroTemp5 - Delivers perfect wash results by making sure the water temperature is right for the load with 5 temperatures, including sanitize
- 5 Wash/Rinse Temperatures with Sanitize - Offer a greater degree of control over fabric cleaning and care, with a Sanitize wash temperature option for the toughest stains
- 1000 RPM Spin Speed - Extracts more water meaning less time in the dryer
- 26 Wash Cycles - Deliver excellent cleaning results
- Custom Cycle - Saves your favorite wash settings for one-touch recall
- Delay Start Up To 18 Hours - Lets you do the laundry on your terms
- Quiet-By-Design™ - Engineered for quiet operation and minimal vibration
- Model WCVH6260HWW - White on white



imagination at work