

DRSR495GG

GE® 7.0 Cu. Ft. Super Capacity Gas Dryer with Stainless Steel Drum

Dimensions and Installation Information (in inches)

Exhaust Option: When viewed from the front of the unit, exhaust 3-way via rear, left and bottom. Dryer is shipped exhausted to the rear. Alternate exhausting knockouts are supplied.

Gas: An individual, properly-grounded branch circuit, with a three-prong grounding-type receptacle, protected by a 15 or 20 amp circuit breaker or a time-delay fuse is required.

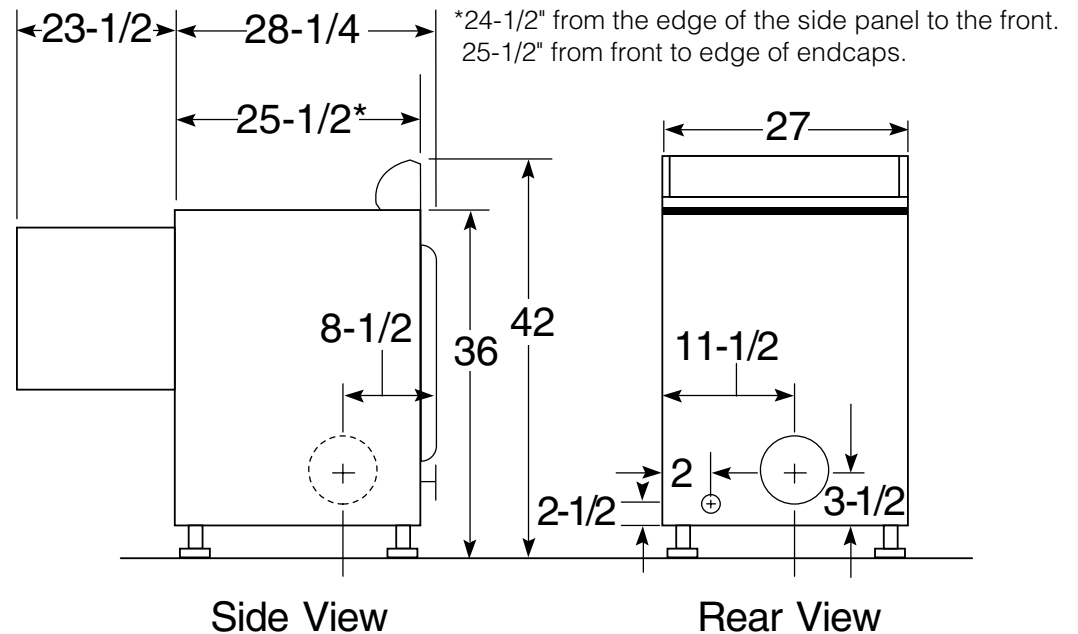
Gas Dryer Electric Rating: 120V, 60Hz, 6A

Gas (BTU/HR): 22,000. Factory-equipped for natural gas. Tested for LP gas. LP gas supply requires a conversion kit. Check installation instructions for correct kit and have a qualified gas technician install a conversion kit. See dryer ducting information for proper installation.

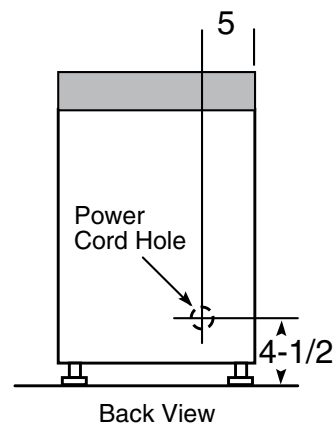
Note: Dryer wall outlet must be located within 36" of service cord entry and accessible when dryer is mounted in position.

Installation Information: For complete information, see installation instructions packed with your dryer.

For answers to your Monogram®, GE Profile™ or GE® appliance questions, visit our website at ge.com or call GE Answer Center® service, 800.626.2000.



Power Cord Locations



DRSR495GG

GE® 7.0 Cu. Ft. Super Capacity Gas Dryer with Stainless Steel Drum

For complete information, see installation instructions packed with your dryer.

Ducting Materials:

For best performance, this dryer should be vented with 4" diameter all rigid metal exhaust duct. If "all rigid metal" duct cannot be used, then "flexible all metal" venting can be used, but it will reduce the maximum recommended duct length.

Exhaust Length Calculation:

1. Determine the number of 90° turns needed for your installation. If you exhaust to the side or bottom of dryer, add one turn.
2. The maximum length of 4" rigid (aluminum or galvanized) duct which can be tolerated is shown in the table. The maximum length for flexible ducts are less than for rigid duct. A turn of 45° or less may be ignored. Two 45° turns within the duct length should be treated as a 90° elbow. A turn over 45° should be treated as a 90° elbow.

Exhausting the dryer to the outside is strongly recommended to prevent large amounts of moisture and lint from being blown into the room. Gas dryers or any dryer located in a closet must be exhausted to the outside.

Caution: For personal safety do not terminate exhaust into a chimney, under any enclosed house floor (crawl space), or into an attic, since the accumulated lint could create a fire hazard or moisture could cause damage. Never terminate the exhaust into a common duct or plenum with a kitchen exhaust, since the combination of lint and grease could create a fire hazard.

Exhaust ducts should be terminated in a dampered wall cap to prevent back drafts, bird nesting, etc. The wall cap must also be located at least 12" above the ground or any other obstruction with the opening pointed down.

Other terminations, such as louvered wall boxes, are acceptable provided they are equivalent to a 4" opening dampered wall cap.

For more information on venting kits and accessories, please call 1-800-GE-CARES.

Special Installation Requirements

Alcove or Closet Installation:

- If your dryer is approved for installation in an alcove or closet, it will be stated on a label on the dryer back.
- The dryer **MUST** be exhausted to the outside.
- Minimum clearances between dryer cabinet and adjacent walls or other surfaces are: 0" either side; 3" front and rear
- Minimum vertical space from floor to overhead cabinets, ceilings, etc. is 52".
- Closet doors must be louvered or otherwise ventilated and must contain a minimum of 60 sq. in. of open area equally distributed. If this closet contains both a washer and a dryer, doors must contain a minimum of 120 sq. in. of open area equally distributed.
- No other fuel-burning appliance shall be installed in the same closet with a gas dryer.

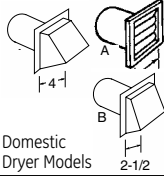
Bathroom or Bedroom Installation:

- The dryer **MUST** be exhausted to the outdoors.
- The installation must conform with the local codes, or in the absence of local codes, with the National Fuel Gas Code, ANSI Z223.

Minimum Clearances other than Alcove or Closet Installation:

- Minimum clearances to combustible surfaces are: 0" both sides; 3" rear

Dryer Exhausting Information: Use metal duct only, vertical and horizontal ducting.



| Domestic Dryer Models | Number of 90° Turns | Best Performance | | | |
|---|---------------------|--|------------------|---|------------------|
| | | Maximum Length of 4" Dia. Rigid Metal Duct | | Maximum Length of 4" Dia. Flexible Metal Duct | |
| | | Exhaust Hood Type A | | Exhaust Hood Type B | |
| | | A 4" Opening | B 2-1/2" Opening | A 4" Opening | B 2-1/2" Opening |
| 7.3 Capacity Electric and Gas Dryers | 0 | 150 ft. | 127 ft. | 75 ft. | 52 ft. |
| | 1 | 140 ft. | 117 ft. | 65 ft. | 42 ft. |
| | 2 | 130 ft. | 107 ft. | 55 ft. | 32 ft. |
| | 3 | 120 ft. | 97 ft. | 45 ft. | 22 ft. |
| | 4 | 110 ft. | 87 ft. | 35 ft. | 12 ft. |
| 7.0 and 6.0 Capacity Models all Electric Dryers | 0 | 90 ft. | 60 ft. | 55 ft. | 45 ft. |
| | 1 | 60 ft. | 45 ft. | 40 ft. | 30 ft. |
| | 2 | 45 ft. | 35 ft. | 30 ft. | 20 ft. |
| | 3 | 35 ft. | 25 ft. | 20 ft. | 15 ft. |
| 7.0 and 6.0 Capacity Models all Gas Dryers | 0 | 90 ft. | 60 ft. | 55 ft. | 45 ft. |
| | 1 | 60 ft. | 45 ft. | 40 ft. | 30 ft. |
| | 2 | 45 ft. | 35 ft. | 30 ft. | 20 ft. |
| | 3 | 35 ft. | 25 ft. | 20 ft. | 15 ft. |
| 5.7 Capacity Electric and Gas Dryers | 0 | 60 ft. | 48 ft. | 30 ft. | 18 ft. |
| | 1 | 52 ft. | 40 ft. | 22 ft. | 14 ft. |
| | 2 | 44 ft. | 32 ft. | 14 ft. | 10 ft. |
| | 3 | 32 ft. | 24 ft. | — | — |
| | 4 | 28 ft. | 16 ft. | — | — |



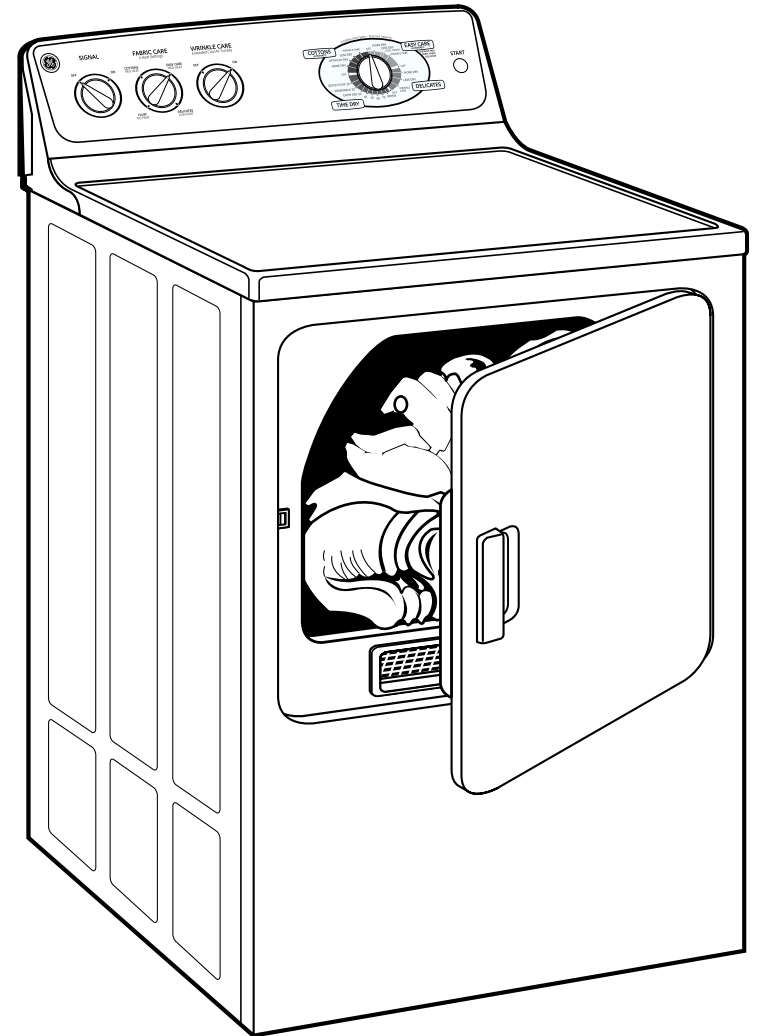
imagination at work

DRSR495GG

GE® 7.0 Cu. Ft. Super Capacity Gas Dryer with Stainless Steel Drum

Features and Benefits

- 7.0 cu. ft. Super Capacity - Handles large-size items and family-size loads
- Stainless Steel Drum - Resists rust and won't chip, peel or snag clothes
- Four Heat Selections - Provide the right temperature for the right drying results
- Nine Dry Cycles - Includes sensor dry cottons, optional wrinkle care, sensor dry easy care, sensor dry delicates, timed dry, dewrinkle, quick fluff (no heat) and damp dry
- Sensor Dry Plus - Continually monitors moisture levels to help clothes look better longer
- Deluxe On/Off End-Of-Cycle Signal - let's you know when load is complete, with convenience to shut off this feature if you wish
- Interior Dryer Light - Lets you see everything inside for easy loading and unloading
- Deluxe Dryer Rack - Allows tumble-free drying of items like sneakers and stuffed animals
- Model DRSR495GGWW -White on white



imagination at work