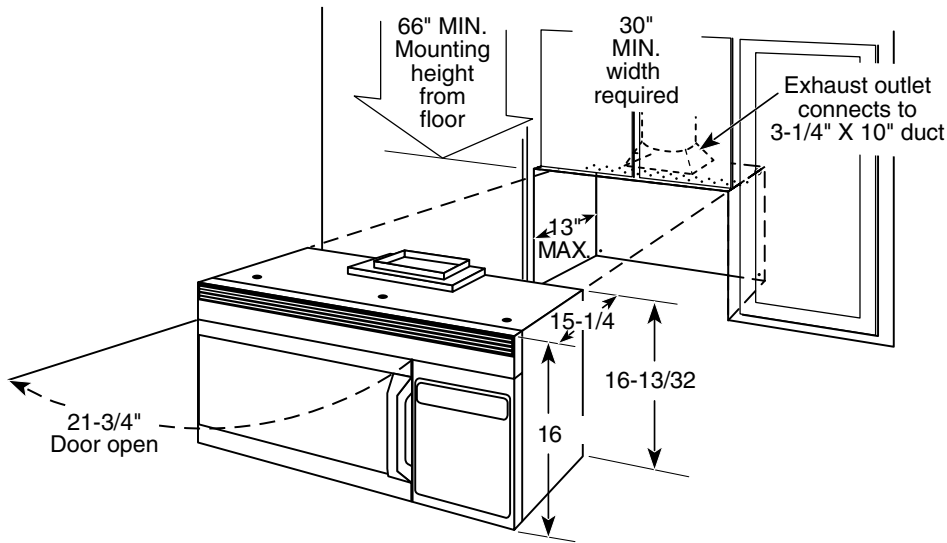




GE Appliances

JVM1441BH/CJ/SH/WH – GE Spacemaker® 1.4 Cu. Ft. Over-the-Range Microwave Oven with Recirculating Venting

Dimensions (in inches)



Note: Requires 120V grounded outlet. Electrical receptacle must be located in cabinet above Spacemaker microwave oven. No additional wiring, venting or cabinet rebuilding necessary in many cases. Complete detailed, easy-to-follow installation instructions and convenient full-size templates are packed with the Spacemaker microwave oven.

Important Information: When installing the Spacemaker microwave oven over a range, allow minimum of 2" from bottom of Spacemaker microwave oven to top of range backguard to allow for removal of light covers.

Ventilation Options: The Spacemaker microwave ovens are designed for adaptation to the following three types of ventilation:

- Outside exhaust (vertical – as shown)
- Outside exhaust (horizontal)
- Recirculating (non-vented ductless – see Filter Kit drawing)

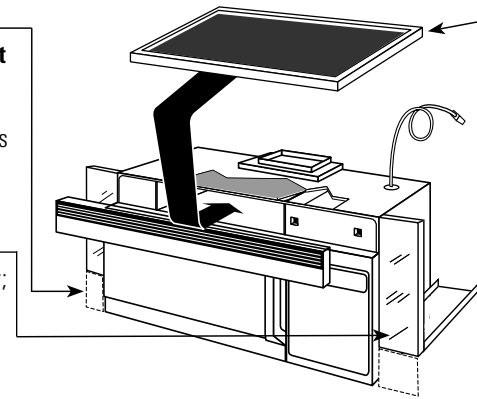
Specification Revised 3/04

340102

Accessories

Filler Panel kits JX46BL (available at additional cost)

When replacing a 36" range hood, this kit fills in the additional width to provide a custom built-in appearance. For installation between cabinets only; not for end-of-cabinet installation. Each kit contains two 3"-wide filler panels.



**Filter kits
JX81A–
Recirculating
Charcoal Filter kit**
To be used when the Spacemaker microwave oven cannot be vented to the outside.

Installation Information: This information is not intended to be used for installing unit described. Before installing, consult installation instructions packed with product/kit for current dimensional data.



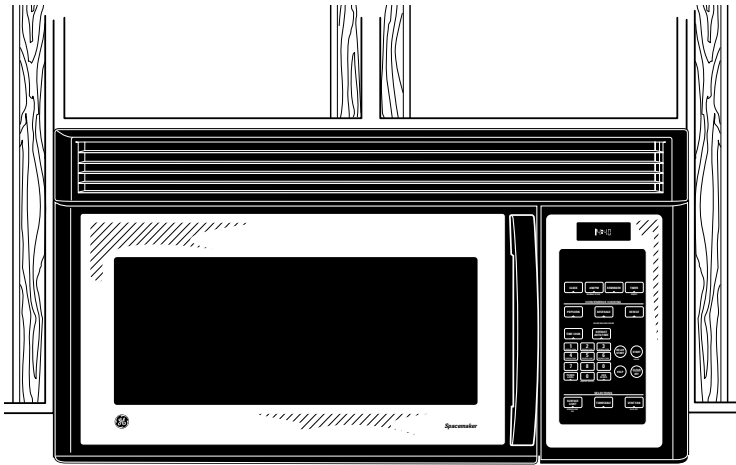
Listed by
Underwriters
Laboratories

For answers to your Monogram,® GE Profile™ or GE® appliance questions, visit our website at GEAppliances.com or call GE Answer Center® service, 800.626.2000.



GE Appliances

JVM1441BH/CJ/SH/WH – GE Spacemaker® 1.4 Cu. Ft. Over-the-Range Microwave Oven with Recirculating Venting



Features and Benefits

- 1.4 Cu. Ft. capacity/950 watts*
- Convenience cooking controls – Allow cooking and reheating at the touch of a button.
- Turntable On/Off – Ideal for oversized, oblong-shaped dishes.
- Removable oven rack – Makes multi-dish cooking possible.
- 10 Power levels – Offer the flexibility to accurately cook any meal, from frozen entrees to refrigerated casserole dishes.
- Auto/Time Defrost – Automatically defrosts for a specified amount of time.
- Variable scroll speed – Displays cooking instructions at a preset speed for easy readability.
- Non-vented model
- Model JVM1441SH – Stainless steel
- Model JVM1441BH – Black on black
- Model JVM1441CJ – Bisque on bisque
- Model JVM1441WH – White on white

*IEC-705 Test Procedure