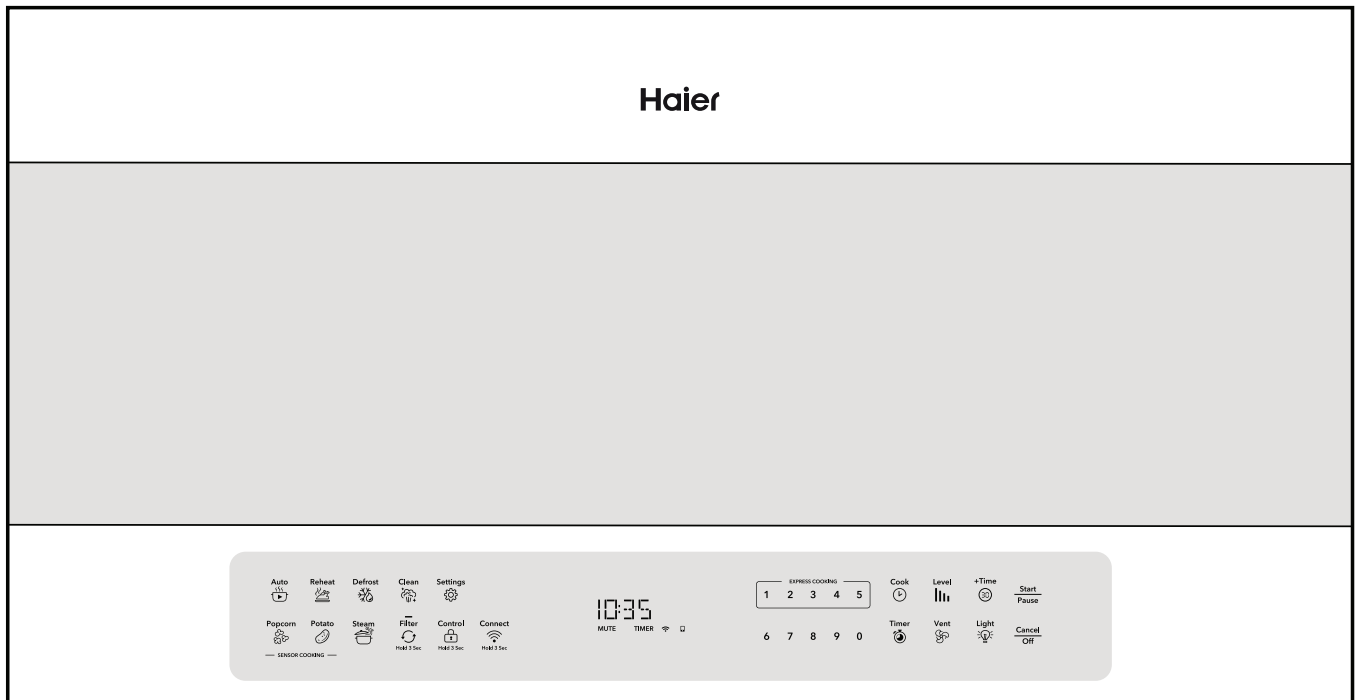


Microwave Oven Horno Microondas



Design may vary by model number.

Some models may have an additional letter after the model number

El diseño puede variar según el número de modelo

Algunos modelos pueden tener una letra adicional después del número del modelo

TABLE OF CONTENTS

SAFTEY INFORMATION	4
USING THE MICROWAVE	5
Features	7
About the Features	8
Other Features	16
WiFi Connect	21
Remote Enable On/Off Features	21
Remote Enabled Equipment	21
PARTS AND FEATURES	7
CARE AND CLEANING	22
TROUBLESHOOTING	24
LIMITED WARRANTY	26

RECORD KEEPING

Thank you for purchasing this Haier product. This user manual will help you get the best performance from your new microwave oven.

For future reference, record the model and serial number located on the your microwave and the date of purchase.

Staple your proof of purchase to this manual to aid in obtaining warranty service if needed.

Model number

Serial number

Date of purchase

HAIER WEBSITE

Have a question or need assistance with your appliance? Try the Haier Website 24 hours a day, any day of the year! You can also shop for more great Haier products and take advantage of all our on-line support services designed for your convenience. In the US: Haierappliances.com

IMPORTANT SAFETY INFORMATION

READ ALL INSTRUCTIONS BEFORE USING THE APPLIANCE

⚠ WARNING

To reduce the risk of burns, electric shock, fire, injury to persons, or exposure to excessive microwave energy:

When using electrical appliances, basic safety precautions should be followed, including the following:

- Read all instructions before using this appliance.
- Read and follow the specific "PRECAUTIONS TO AVOID POSSIBLE EXPOSURE TO EXCESSIVE MICROWAVE ENERGY" found on page 6.
- Use this appliance only for its intended use as described in this manual. Do not use corrosive chemicals or vapors in this appliance. This microwave oven is specifically designed to heat, dry or cook food, and is not intended for laboratory or industrial use.
- This appliance should be serviced only by qualified service personnel. Contact nearest authorized service facility for examination, repair, or adjustment.

INSTALLATION

- Install or locate this appliance only in accordance with the provided installation instructions.
- This appliance must be grounded. Connect only to a properly grounded outlet. See the "GROUNDING INSTRUCTIONS" found on page 6.
- This microwave oven is UL listed for installation over both gas and electric ranges.
- This unit is suitable for use above gas or electric cooking equipment, 36" or less wide.
- Do not operate this appliance if it has a damaged power cord or plug, if it is not working properly, or if it has been damaged or dropped.
- Keep power cord away from heated surfaces.
- Do not let cord hang over edge of table or counter.
- Do not immerse power cord or plug in water.
- Do not cover or block any opening on the appliance.
- Do not store this appliance outdoors. Do not use this product near water - for example, in a wet basement, near a swimming pool, or in a similar location.
- Do not mount over a sink.

TO REDUCE THE RISK OF FIRE IN THE CAVITY:

- Do not overcook food. Carefully attend appliance when paper, plastic or other combustible materials are placed inside the oven while cooking.
- Remove wire twist-ties and metal handles from paper or plastic containers before placing them in the oven.
- If materials inside the oven ignite, keep the oven door closed, turn the oven off and disconnect the power cord, or shut off power at the fuse or circuit breaker panel.
- Do not store any materials in the oven when not in use. Do not leave paper products, cooking utensils, or food in the cavity when not in use.
- Do not operate the microwave feature without food in the oven.

TO REDUCE THE RISK OF BURNS

- Be careful when opening containers of hot food. Use pot holders and direct steam away from face and hands.
- Vent, pierce, or slit containers, pouches or plastic bags to prevent build-up of pressure.
- Be careful when touching the turntable, door, or walls of the oven which may become hot during use.
- Liquids and certain foods heated in the microwave oven can present a risk of burn when removing them from the microwave. The potential for a burn is greater in young children, who should not be allowed to remove hot items from the microwave.

READ AND SAVE THESE INSTRUCTIONS

IMPORTANT SAFETY INFORMATION

READ ALL INSTRUCTIONS BEFORE USING THE APPLIANCE

OPERATING

- As with any appliance, close supervision is necessary when used by children.
- Do not operate the oven without the turntable in place. The turntable must be unrestricted so it can turn.
- Make sure all cookware used in your microwave oven is suitable for microwaving. Most glass casseroles, cooking dishes, measuring cups, custard cups, pottery or china dinnerware which does not have metallic trim or glaze with a metallic sheen can be used in compliance with cookware manufacturers' recommendations.
- Do not store anything directly on top of the microwave surface when the microwave is in operation.
- Some products such as whole eggs and sealed containers - for example, closed jars - are able to explode and should not be heated in the microwave oven.
- Do not overcook potatoes. They could dehydrate and catch fire.
- Do not cover any other part of the oven with metal foil. This will cause overheating of the oven.
- Cook meat and poultry thoroughly—meat to at least an INTERNAL temperature of 160°F and poultry to at least an INTERNAL temperature of 180°F. Cooking to these temperatures usually protects against foodborne illness.
- This oven is not approved or tested for marine use.

CLEANING

- Keep the oven free from grease buildup.
- Do not clean with metal scouring pads. Pieces can burn off the pad and touch electrical parts involving risk of electric shock.
- When cleaning surfaces of door and oven that come together on closing the door, use only mild, nonabrasive soaps, or detergents applied with a clean sponge or soft cloth. Rinse well.

SUPER HEATED WATER

- Liquids, such as water, coffee, or tea, are able to be overheated beyond the boiling point without appearing to be boiling. Visible bubbling or boiling when the container is removed from the microwave oven is not always present. THIS COULD RESULT IN VERY HOT LIQUIDS SUDDENLY BOILING OVER WHEN THE CONTAINER IS DISTURBED OR A SPOON OR OTHER UTENSIL IS INSERTED INTO THE LIQUID.
- To reduce the risk of injury to persons:
 - Do not overheat the liquid.
 - Stir the liquid both before and halfway through heating it.
 - Do not use straight-sided containers with narrow necks.
 - After heating, allow the container to stand in the microwave oven for a short time before removing the container.
 - Use extreme care when inserting a spoon or other utensil into the container.

READ AND SAVE THESE INSTRUCTIONS

IMPORTANT SAFETY INFORMATION

READ ALL INSTRUCTIONS BEFORE USING THE APPLIANCE

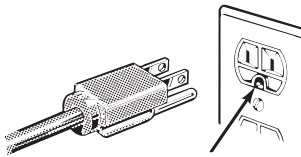
PRECAUTIONS TO AVOID POSSIBLE EXPOSURE TO EXCESSIVE MICROWAVE ENERGY

- (a) **Do Not Attempt** to operate this oven with the door open since open-door operation can result in harmful exposure to microwave energy. It is important not to defeat or tamper with the safety interlocks.
- (b) **Do Not Place** any object between the oven front face and the door or allow soil or cleaner residue to accumulate on sealing surfaces.
- (c) **Do Not Operate** the oven if it is damaged. It is particularly important that the oven door close properly and that there is no damage to the:
- (1) door (bent),
 - (2) hinges and latches (broken or loosened),
 - (3) door seals and sealing surfaces.
- (d) **The Oven Should Not** be adjusted or repaired by anyone except properly qualified service personnel.

GROUNDING INSTRUCTIONS

⚠ WARNING

Improper use of the grounding plug can result in a risk of electric shock.



Ensure proper ground exists before use.

This appliance must be grounded. In the event of an electrical short circuit, grounding reduces the risk of electric shock by providing an escape wire for the electric current.

This appliance is equipped with a power cord having a grounding wire with a grounding plug. The plug must be plugged into an outlet that is properly installed and grounded.

Consult a qualified electrician or service technician if the **GROUNDING INSTRUCTIONS** are not completely understood, or if doubt exists as to whether the appliance

is properly grounded.

If the outlet is a standard 2-prong wall outlet, it is your personal responsibility and obligation to have it replaced with a properly grounded 3-prong wall outlet.

Do not under any circumstances cut or remove the third (ground) prong from the power cord.

Do not use an extension cord. If the power cord is too short, have a qualified electrician or service technician install an outlet near the appliance.

For best operation, plug this appliance into its own electrical outlet to prevent flickering of lights, blowing of fuse or tripping of circuit breaker.

NOTICE: PACEMAKERS

Most pacemakers are shielded from interference from electronic products, including microwaves. However, patients with pacemakers may wish to consult their physicians if they have concerns.

VENT FAN

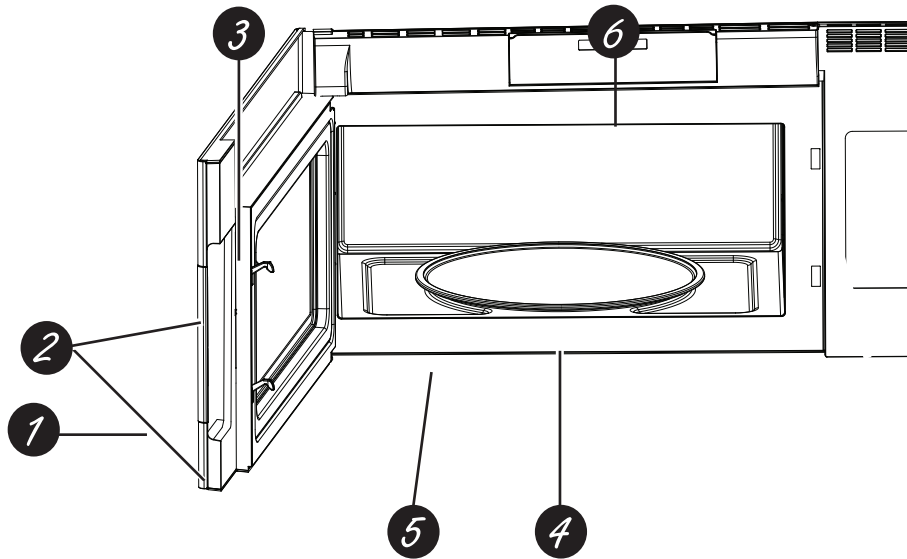
⚠ WARNING The fan will operate automatically under certain conditions. Take care to prevent the starting and spreading of accidental cooking fires while the vent fan is in use.

- Clean the underside of the microwave often. Do not allow grease to build up on the microwave or the fan filters.
- In the event of a grease fire on the surface units below the microwave oven, smother a flaming pan on the surface unit by covering the pan completely with a lid, a cookie sheet or a flat tray.
- Use care when cleaning the vent fan filters. Corrosive cleaning agents, such as lye-based oven cleaners, may damage the filters.
- When preparing flaming foods under the microwave, turn the fan on.
- Never leave surface units beneath your microwave oven unattended at high heat settings. Boilovers cause smoking and greasy spillovers that may ignite and spread if the microwave vent fan is operating. To minimize automatic fan operation, use adequate sized cookware and use high heat on surface units only when necessary.

READ AND SAVE THESE INSTRUCTIONS

FEATURES

Throughout this manual, features and appearance may vary from your model.



1. Door Handle

2. Door Latches

3. Window with Metal Shield

Screen allows cooking to be viewed while keeping microwaves confined in the oven.

4. Removable Turntable

Do not operate the oven in the microwave mode without the turntable and turntable support seated and in place.

5. Removable Turntable Support

Do not operate the oven in the microwave mode without the turntable and turntable support seated and in place.

6. Charcoal Filter Cover

Push the cover to replace the charcoal filter without taking the unit off from cabinet.

ACCESSORIES

15" Cabinet Installation Kit

For use with cabinets deeper than 13 inches. Brings microwave further out from the wall for improved ventilation, access, and appearance.

Bump-Out Kit

JX15BUMPBB

ABOUT THE FEATURES

Cooking Controls

1

EXPRESS COOKING

1 2 3 4 5

Cook Level +Time

6 7 8 9 0

Timer Vent Light

Start/Pause

Cancel/Off

2

Auto Reheat Defrost Clean Settings

Popcorn Potato Steam Filter Control Connect

Hold 3 Sec

Hold 3 Sec

Hold 3 Sec

— SENSOR COOKING —

Check the Convenience Guide before you begin.

1 Time Features

Press	Icon	Enter
COOK TIME	Cook	Amount of cooking time
DEFROST	Defrost	Weight or time
TIMER	Timer	
POWER LEVEL	Level	Power level 1 to 10
ADD #) SEC	+Time	Starts immediately
EXPRESS COOK	EXPRESS COOKING 1 2 3 4 5	Starts immediately

2 Sensor/Convenience Features

Press	Icon	Enter
AUTO COOK	Auto	Press pad to select food
POPCORN	Popcorn	Start immediately
REHEAT	Reheat	Press pad to select food
POTATO	Potato	Start immediately
STEAM COOK	Steam	Press pad to select food

ABOUT THE FEATURES

Cook Time

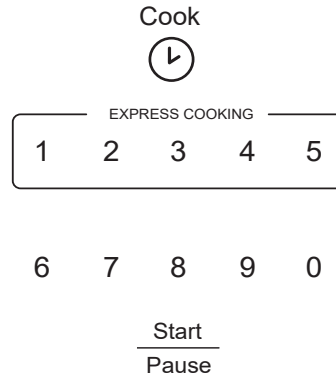
Allows you to microwave for any time up to 99 minutes and 99 seconds.

Power level 10 (HIGH) is automatically set, but you may change it for more flexibility.

1. Press **Cook Time**.
2. Enter cooking time.
3. Press **START**.

Cooking will start when the countdown begins in the display.

You may open the door during **Cook Time** to check the food. Close the door and press **START** to resume cooking.



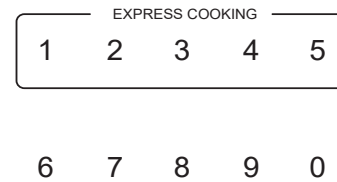
Express Cook

This is a quick way to set cooking time for 1-5 minutes.

1. Press one of the **Express Cook** pads (from 1-5) for 1-5 minutes of cooking at **power level 10**.
For example, press the **2** pad for 2 minutes of cooking time.

The power level can be changed as time is counting down. Press **POWER LEVEL** and enter 1-10.

NOTE: Express Cook function pertains to pads 1-5 only.



Add 30 Sec

This will add 30 seconds to the time counting down each time the pad is pressed. Each touch will add 30 seconds, up to 99 minutes and 99 seconds.

Add 30 sec can also be used like an express 30 seconds button. The microwave oven will start immediately when pressed.

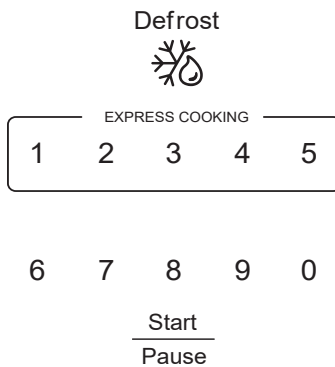


Weight Defrost

Use **Weight Defrost** for meat, poultry and fish. Use **Time Defrost** for most other frozen foods. (Time Defrost is explained on page 13.)

1. Press **DEFROST** once for **Weight Defrost**.
2. Enter the weight in pounds.
3. Press **START**.

Cooking will start when the countdown begins in the display.



Defrosting Tips

- Remove meat from package and place on microwave-safe dish.
- When the oven signals, turn the food over. Remove defrosted meat or shield warm areas with small pieces of foil.
- After defrosting, most meats need to stand 5 minutes to complete defrosting. Large roasts should stand for about 30 minutes.

Conversion Guide

If the weight of food is stated in pounds and ounces, the ounces must be converted to tenths (.1) of a pound.

Ounces	Pounds
1-2	.1
3	.2
4-5	.3
6-7	.4
8	.5
9-10	.6
11	.7
12-13	.8
14-15	.9

ABOUT THE FEATURES

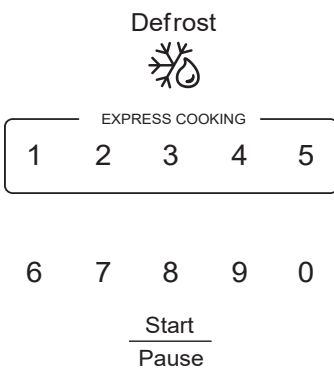
Time Defrost

Allows you to defrost for a selected length of time. See the Defrosting Guide on page 11 for suggested times (**Weight Defrost** is explained on page 9).

1. Press **DEFROST** twice for **Time Defrost**.
2. Enter defrosting time in minutes and seconds.
3. Press **START**.
Cooking will start when the countdown begins in the display.

At one half of selected defrosting time, turn food over and break apart or rearrange pieces for more even defrosting. Shield any warm areas with small pieces of foil. The oven will continue to defrost if you don't open the door and turn the food.

Noises may be heard during defrosting. This is normal when oven is not operating at **High** power.



Defrosting Tips

- Foods frozen in paper or plastic can be defrosted in the package. Closed packages should be slit, pierced or vented **AFTER** food has partially defrosted. Plastic storage containers should be partially uncovered.
- Family-size, prepackaged frozen dinners can be defrosted and microwaved. If the food is in a foil container, transfer it to a microwave-safe dish.
- Foods that spoil easily should not be allowed to sit out for more than one hour after defrosting. Room temperature promotes the growth of harmful bacteria.
- For more even defrosting of larger foods, such as roasts, use **Time Defrost**. Be sure large meats are completely defrosted before cooking.
- When defrosted, food should be cool but softened in all areas. If still slightly icy, return to the microwave very briefly, or let it stand a few minutes.

ABOUT THE FEATURES

Defrosting Guide

Food	Time	Comments
Breads, Cakes Bread, buns or rolls (1 piece) Sweet rolls (approx. 12 oz.)	1/4 min. 2 to 4 min.	Rearrange after half of time.
Fish and Seafood Fillets, frozen (1 lb.) Shellfish, small pieces (1 lb.)	6 to 9 min. 3 to 7 min.	Place block in casserole. Turn over and break up after first half of time.
Fruit Plastic pouch—1 or 2 (10-oz. package)	1 to 5 min.	
Meat Bacon (1 lb.) Franks (1 lb.) Ground meat (1 lb.) Roast: beef, lamb, veal, pork Steaks, chops and cutlets	2 to 5 min. 2 to 5 min. 4 to 6 min. 9 to 12 min. per lb. 4 to 8 min. per lb.	Place unopened package in oven. Let stand 5 minutes after defrosting. Place unopened package in oven. Microwave just until franks can be separated. Let stand 5 minutes, if necessary, to complete defrosting. Turn meat over after first half of time. Use power level Warm (1). Place unwrapped meat in cooking dish. Turn over after first half of time and shield warm areas with foil. After second half of time, separate pieces with table knife. Let stand to complete defrosting.
Poultry Chicken, broiler-fryer, cut up (2 ¹ / ₂ to 3 lbs.) Chicken, whole (2 ¹ / ₂ to 3 lbs.) Cornish hen Turkey breast (4 to 6 lbs.)	14 to 19 min. 20 to 24 min. 7 to 12 min. per lb. 3 to 8 min. per lb.	Place wrapped chicken in dish. Unwrap and turn over after first half of time. After second half of time, separate pieces and place in cooking dish. Microwave 2 to 4 minutes more, if necessary. Let stand a few minutes to finish defrosting. Place wrapped chicken in dish. After first half of time, unwrap and turn chicken over. Shield warm areas with foil. To complete defrosting, run cool water in cavity until giblets can be removed. Place unwrapped hen in oven breast-side-up. Turn over after first half of time. Run cool water in cavity until giblets can be removed. Place unwrapped breast in microwave-safe dish breast-side-down. After first half of time, turn breast-side-up and shield warm areas with foil. Defrost for second half of time. Let stand 1 to 2 hours in refrigerator to complete defrosting.

ABOUT THE FEATURES

The Sensor Features detect the increasing humidity released during cooking. The oven automatically adjust the cooking time to various types and amounts of food.

Do not use the Sensor Features twice in succession on the same food portion - It may result in severely overcooked or burnt food. Be sure to let the oven cool down for 5 - 10 minutes before starting the next sensor cook.

If food is undercooked after the countdown, use Cook Time for additional cooking time

- The proper containers and covers are essential for best sensor cooking.
- **Always use microwave-safe containers and cover them with lids or vented plastic wrap. Never use tight-sealing plastic covers** - they can prevent steam from escaping and cause food to overcook.
- **Be sure the outside of the cooking container and the inside of the microwave oven are dry** before placing food in the oven. Beads of moisture turning into steam can mislead the sensor.



Covered



Vented



Dry off dishes so they don't mislead the sensor.

How to Change the Automatic Settings

To reduce time by 10%:

Press 1 after the feature pad.

To add 10% to cooking time:

Press 9 after the feature pad.

Auto Cook

Allows you to microwave food choices with sensor.

1. Press **AUTO COOK** button.
2. Enter the food type code. See Cooking Guide for AUTO COOK below for codes or check the display for food types..
2. Press **START**.

The oven signals when steam is sensed and the time remaining begins counting down.

Do not open the oven door until time is counting down. If the door is opened before time is counting down 4 beeps are emitted while the display will Scroll & Cycle "SENSOR ERROR " until **CANCEL** is pressed. The sensor cook will be cancelled as well. If the Door is opened during the counting down, close it and press **START** immediately.



Cooking Guide for Auto Cook Feature

CODE ENTRY	FOOD	COMMENTS
1	Chicken	
2	Fish	
3	Ground Meat	
4	Veggies	Enter Veggie Type 1. Fresh Veggies 2. Frozen Veggies 3. Canned Veggies

ABOUT THE FEATURES

Popcorn

To use the **Popcorn** feature:

1. Place the package of popcorn in the center of the microwave.
2. Press **POPCORN**. The oven starts immediately.
Your popcorn bag may get stuck and stop rotating, but this will not affect the cooking performance. Do not open the door even if the bag is not rotating.
Using the vent function in combination with the popcorn sensor feature may lead to over cooking.

Popcorn



How to Change the Automatic Settings

To reduce time by 10%:

Press 1 after the feature pad.

To add 10% to cooking time:

Press 9 after the feature pad.

If food is undercooked after the countdown, use **Cook Time** for additional cooking time. We recommend 30 seconds and watch carefully.

Reheat

The **Reheat** feature reheats servings of previously cooked foods or a plate of leftovers.

1. Press **REHEAT**.
2. Using the cooking guide below, enter food code. For example, **1** for Pasta.
3. Press **START/PAUSE**. The oven signals when steam is sensed and the time remaining begins counting down.

Do not open the oven door until time is counting down. If the door is opened before time is counting down 4 beeps are emitted while the display will Scroll & Cycle "SENSOR ERROR" until **CANCEL** is pressed. The sensor cook will be cancelled as well. If the Door is opened during the counting down, close it and press **START** immediately.

Reheat



After removing food from the oven, stir, if possible, to even out the temperature. If the food is not hot enough, use Cook Time to reheat for more time. Reheated foods may have wide variations in temperature. Some areas may be extremely hot.

It is best to use **Cook Time** for these foods:

- Bread products.
- Foods that must be reheated covered.
- Foods that need to be stirred or rotated during reheating.
- Foods calling for a dry look or crisp surface after reheating.

How to Change the Automatic Settings

To reduce time by 10%:

Press 1 after the feature pad.

To add 10% to cooking time:

Press 9 after the feature pad.

Cooking Guide for Reheat Feature:

Code Entry	Food
1	Pasta
2	Pizza
3	Plate
4	Soup

Potato

To use the **Potato** feature:

1. Place the potato in the center of the microwave.
2. Press **POTATO**.

The oven starts immediately.

Do not open the oven door until time is counting down. If the door is opened before time is counting down 4 beeps are emitted while the display will Scroll & Cycle "SENSOR ERROR" until **CANCEL** is pressed. The sensor cook will be cancelled as well. If the Door is opened during the counting down, close it and press **START** immediately.

Potato



How to Change the Automatic Settings

To reduce time by 10%:

Press 1 after the feature pad.

To add 10% to cooking time:

Press 9 after the feature pad.

ABOUT THE FEATURES

Microwave Terms

Term	Definition
Arcing	Arcing is the microwave term for sparks in the oven. Arcing is caused by: <ul style="list-style-type: none"> • metal or foil touching the side of the oven. • foil that is not molded to food (upturned edges act like antennas). • metal such as twist-ties, poultry pins, gold-rimmed dishes. • recycled paper towels containing small metal pieces.
Covering	Covers hold in moisture, allow for more even heating and reduce cooking time. Venting plastic wrap or covering with wax paper allows excess steam to escape.
Shielding	In a regular oven, you shield chicken breasts or baked foods to prevent over-browning. When microwaving, you use small strips of foil to shield thin parts, such as the tips of wings and legs on poultry, which would cook before larger parts.
Standing Time	When you cook with regular ovens, foods such as roasts or cakes are allowed to stand to finish cooking or to set. Standing time is especially important in microwave cooking. Note that a microwaved cake is not placed on a cooling rack.
Venting	After covering a dish with plastic wrap, vent the plastic wrap by turning back one corner so excess steam can escape.

Steam Cook

Use the **Steam Cook** feature to steam certain preprogrammed foods.

1. Press **Steam Cook** button.
2. Enter the food type code you wish to Steam Cook. See Cooking Guide for Steam Cook below for codes or check the display for food types.
3. Place steamer bowl with water, salt (if necessary), and food in the microwave with the steam vents on the steamer bowl in the OPEN position.
4. Press **START** button to begin cooking.

NOTE: The NordicWare Rice Cooker/Steamer Bowl should be used for best cooking results.



6 7 8 9 0

Start
Pause

Cooking Guide for Steam Cook Feature

Code Entry	Food	Amount Entry
1	Rice	1 - 1 cup white 2 - 1 cup brown
2	Asparagus	1 - 1 cup 2 - 2 cups
3	Broccoli	1 - 1 cup 2 - 2 cups
4	Brussel Sprouts	1 - 1 cup 2 - 2 cups
5	Carrots	1 - 1 cup 2 - 2 cups
6	Cauliflower	1 - 1 cup 2 - 2 cups
7	Zucchini	1 - 1 cup 2 - 2 cups

ABOUT THE FEATURES

Changing the Power Level

The power level may be entered or changed before or during cooking. **Power Level** is set for Level 10 (High) unless it is changed.

1. Press **Power Level** button.
2. Enter new power level by using the number pads or press the **Power Level** button multiple times until you find the level you want.
3. After you have selected the power level, wait five seconds. The display will go back to the **Cook Time** screen.
4. Enter cooking time and press **START**.

OR

1. Press **Cook Time** button.
2. Enter your cooking time.
3. Press **Power Level** button.
4. Enter new power level by using the number pads or press the **Power Level** button multiple times until you find the level you want.
5. After you have selected the power level, wait five seconds. The display will go back to the **Cook Time (Enter Time)** screen.
6. Press **START**.

Variable power levels add flexibility to microwave cooking. The power levels on the microwave oven can be compared to the surface units on a range. Each power level gives you microwave energy a certain percent of the time. **Power level 7** is microwave energy 70% of the time. **Power level 3** is energy 30% of the time. Most cooking will be done on High (power level 10) which gives you 100% power. **Power level 10** will cook faster but food may need more frequent stirring, rotating or turning over. A lower setting will cook more evenly and need less stirring or rotating of the food. Some foods may have better flavor, texture or appearance if one of the lower settings is used. Use a lower power level when cooking foods that have a tendency to boil over, such as scalloped potatoes and some casseroles.

Rest periods (when the microwave energy cycles off) give time for the food to "equalize" or transfer heat to the inside

of the food. An example of this is shown with **Power level 3**—the defrost cycle. If microwave energy did not cycle off, the outside of the food would cook before the inside was defrosted.

Here are some examples of uses for various power levels:

High 10 (100%): Fish, bacon, vegetables, boiling liquids.

Med-High 7 (70%): Gentle cooking of meat and poultry; baking casseroles and reheating.

Medium 5 (50%): Slow cooking and tenderizing for stews and less tender cuts of meat.

Low 2 or 3 (20 or 30%): Defrosting; simmering; delicate sauces.

Warm 1 (10%): Keeping food warm; softening butter.

NOTE: You can also change the power level during many cooking modes by pressing the power level button entering a valid power level.



OTHER FEATURES

Start/Pause

In addition to starting many functions, **START/PAUSE** allows you to stop cooking without opening the door or clearing the display and resume cooking later.

Start
Pause

Cancel/Off

Press the **CANCEL/OFF** button to stop and cancel cooking at any time.

Cancel
Off

Control Lock-Out

You may lock the control panel to prevent the oven from being accidentally started during cleaning or being used by children.

To lock or unlock the controls, press and hold the **LOCK CONTROL** button for three seconds. When the control panel is locked, LOCKED will be displayed briefly anytime a button or dial is pressed. "L" will show in the display.

Control

Hold 3 Sec

Surface Light

Press **SURFACE LIGHT** once for high light, twice for low light or a third time to turn the light off.

Light


Timer

NOTE: The **Timer** indicator will be lit while the timer is operating.

The **Timer** operates as a minute timer and can be used at any time, even when the oven is operating.

1. Press the **Timer** button.
2. Enter a time.
3. Press the **Timer** button to start.

To cancel, press the **Timer** button.

When time is up, the oven will signal.

To turn off the timer signal, press **Timer**.

Timer


OTHER FEATURES

Steam Clean

1. Press the **Steam Clean** button.
2. Put steam bowl with 1/4 cup of water.
3. Press the dial or **Start/Pause** to start.

Once the cycle is terminated, wipe oven cavity with paper towel or cloth.

Clean



Display

If you have the Timer counting down and you are using the Cook Time at the same time, you can change the display to show either the timer or the cook time countdown.

If the display shows the time for the Timer and you would like to view the Cook Time, press the **COOK TIME** button.



If the display shows the time for the

Cook Time and you would like to view the Timer, press the **TIMER** button



Vent Fan

The vent fan removes steam and other vapors from surface cooking.

Press **Vent Fan** once for high fan speed, twice for low fan speed, three times to turn the fan off

Automatic Fan

An automatic fan feature protects the microwave from too much heat rising from the cooktop below it. It automatically turns on if it senses too much heat.

If you have turned the fan on you may find that you cannot turn it off. The fan will automatically turn off when the internal parts are cool. It may stay on for 30 minutes or more after the cooktop and microwave controls are turned off.

Vent



Insert Food Reminder

A reminder will show on the display if the user tries to start the cooking cycle without placing food inside the microwave oven within 5 minutes prior to starting the cooking cycle.

Cooking Complete Reminder

To remind you that you have food in the oven, the oven will display "Food is ready" and beep once a minute until you either open the oven door or press the **CANCEL/OFF** button.

OTHER FEATURES

Settings

Settings allow to change the default settings of your OTR.

1. Press the Settings pad. "SELECT SETTING ITEM

- 3- BEEPER VOLUME
- 2- CLOCK MODE
- 1- CLOCK SETTING
- 5- DISPLAY ON/OFF
- 4- TURN TABLE
- 6- REMOTE ENABLE
- 7- EXIT

2. Select the item to change the settings. See below tables for detail Guide

Settings



Code Entry	Items for setting	Level Entry
3	Beeper Volume	0 - Mute 1 - Low 2 - Normal 3 - Loud Default is normal
2	Clock Mode	0 - 12 hours 1 - 24 hours Default is 12 hours
1	CLOCK Setting	Entry valid number for setting clock time
5	Display On/Off	0 - OFF 1 - ON default setting is ON
4	Turntable On/Off	0 - OFF 1 - ON default setting is ON
6	Remote Enable: Remote Enable On/Off feature could enable you to start the microwave from a remote source or avoid you unintendedly to control your microwave remotely. For turn on/off this feature please press "Settings" button on the control panel then press "9" to select this feature then press "1" for On and "0" for Off function.	0-OFF 1-ON Default is off
7	Setting Exit	1 - EXIT

OTHER FEATURES

Reset Filter

The red LED indicator will light every 6 months as a reminder to replace the charcoal filter.

After replacing the charcoal filters, Hold the **Reset Filter** for 3 seconds to turn off the Red LED indicator.

Filter



Hold 3 Sec

Charcoal Filter

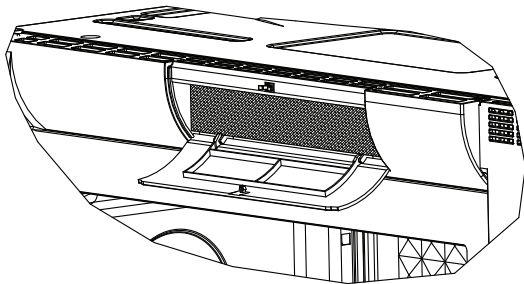
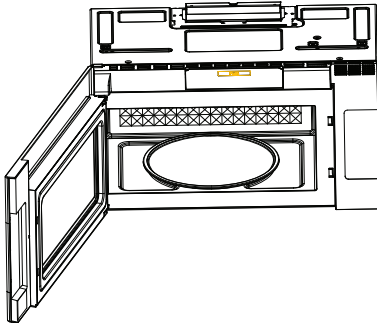
The charcoal filter cannot be cleaned. It must be replaced. Order Part No. WB02X11550 from your Haier supplier.

If the model is not vented to the outside, the air will be recirculated through a disposable charcoal filter that helps remove smoke and odors.

The charcoal filter should be replaced when the red LED indicator lights under the **Reset Filter** pad. See "Optional Kits," page 8, for more information.

To Remove The Charcoal Filter

To remove the charcoal filter, first disconnect power at the main fuse or circuit breaker, or pull the plug. Open the microwave oven door and push the "Push" area on charcoal filter cover at center of the grille. Press back on the top of the filter with both hands until the filter lays down almost horizontal. Lift the filter at the bottom until it comes free of the tabs. Slide the filter down and out.

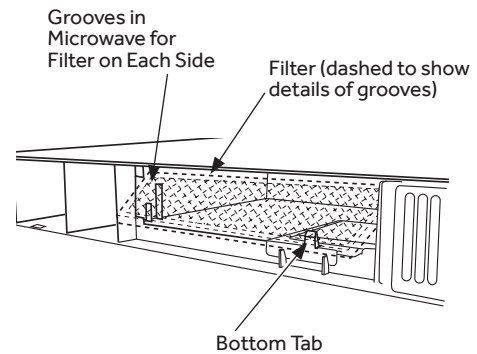


To Install the Charcoal Filter

To install a new charcoal filter, remove plastic and other outer wrapping from the new filter.

Insert the top of the filter up and into the grooves on both sides of the inside of the top opening. Once you have cleared the bottom tab, push the bottom of the filter in until it rests in place vertically behind the tab.

Close the charcoal filter cover at center of the grille by pushing the "Push" area again.



WiFi CONNECT

Connecting your WiFi Connect enabled microwave oven (on some models)

Your Haier Appliances microwave oven is designed to provide you with two-way communication between your appliance and smart device. By using the Haier Appliances WiFi Connect features, you will be able to control essential operations such as turning on and off your microwave, convenience features, cook time, timers using your smartphone, tablet or voice control device.

What you will need:

1. Know the password of your home WiFi router.
2. Download the Haier Appliances Kitchen App to your smart device.
3. Follow the app on-screen instructions to connect your Haier microwave.

For further instructions, visit:
Haierappliances.com/connect

Connect



Hold 3 Sec

REMOTE ENABLE ON/OFF FEATURE

Remote Enable is a feature that allows you to start the microwave from a remote source such as the Haier Appliances Kitchen App or Voice Commands from Amazon Alexa or Google Assistant.

When the Remote Enable feature is off, you will still receive messages from your microwave, you can turn off the microwave, or you can use the timer and clock from your smart device.

When the Remote Enable feature is on, you need to have opened the microwave door within the last 5 minutes. The 5 minute restriction is to help ensure food is in the microwave before starting the cooking cycle.

To turn this feature on/off select the Settings button on the control panel and then press "6" to select this feature. Press "1" for Remote Enable On and "0" for Remote Enable Off.

Settings



REMOTE ENABLE EQUIPMENT

This device complies with part 15 of the FCC Rules. Operation is subject to the following two conditions: (1) This device may not cause harmful interference, and (2) this device must accept any interference received, including interference that may cause undesired operation.

The wireless communication equipment installed on this microwave has been tested and found to comply with the limits for a Class B digital device, pursuant to part 15 of the FCC Rules. These limits are designed to:

- (a) provide reasonable protection against harmful interference in a residential installation. This equipment generates, uses, and can radiate radio frequency energy and, if not installed and used in accordance with the instructions, may cause harmful interference to radio communications. However, there is no guarantee that interference will not occur in a particular installation. If this equipment does cause harmful interference to radio or television reception, which can be determined by turning the equipment off and on, the user is encouraged to try to correct the interference by one or more of the following measures:
 - Reorient or relocate the receiving antenna.
 - Increase the separation between the equipment and receiver.
 - Connect the equipment into an outlet on a circuit different from that to which the receiver is connected.
 - Consult the dealer or an experienced radio/TV technician for help.
- (b) accept any interference received, including interference that may cause undesired operation of the device.

NOTE: Any changes or modifications to the wireless communication device installed on this oven that are not expressly approved by the manufacturer could void the user's authority to operate the equipment.

RF Exposure - This device is only authorized for use in a mobile application. At least 20 cm of separation distance between the transmitting antenna device and the user's body must be maintained at all times.

CARE AND CLEANING

Helpful Hints

An occasional thorough wiping with a solution of baking soda and water keeps the inside fresh.

Be certain the oven control is turned off before cleaning any part of this oven.



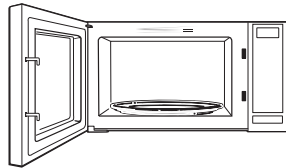
How to Clean the Inside

Walls, Floor, Inside Window, Metal and Plastic Parts on the Door

Some spatters can be removed with a paper towel; others may require a damp cloth. Remove greasy spatters with a sudsy cloth, then rinse with a damp cloth. Do not use abrasive cleaners or sharp utensils on oven walls.

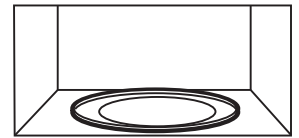
To clean the surface of the door and the surface of the oven that come together upon closing, use only mild, nonabrasive soaps or detergents using a sponge or soft cloth. Rinse with a damp cloth and dry.

Never use a commercial oven cleaner on any part of your microwave.



Removable Turntable and Turntable Support

To prevent breakage, do not place the turntable into water just after cooking. Wash it carefully in warm, sudsy water or in the dishwasher. The turntable and support can be broken if dropped. Remember, do not operate the oven in the microwave mode without the turntable and support seated and in place.



How to Clean the Outside

Do not use cleaners containing ammonia or alcohol on the microwave oven. Ammonia or alcohol can damage the appearance of the microwave.

Case

Clean the outside of the microwave with a sudsy cloth. Rinse with a damp cloth and then dry. Wipe the window clean with a damp cloth.

Control Panel and Door

Wipe with a damp cloth. Dry thoroughly. Do not use cleaning sprays, large amounts of soap and water, abrasives or sharp objects on the panel—they can damage it. Some paper towels can also scratch the control panel.

Door Surface

It is important to keep the area clean where the door seals against the microwave. Use only mild, non-abrasive detergents applied with a clean sponge or soft cloth. Rinse well.

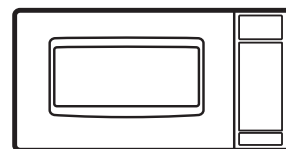
Power Cord

If the cord becomes soiled, unplug and wash with a damp cloth. For stubborn spots, sudsy water may be used, but be certain to rinse with a damp cloth and dry thoroughly before plugging cord into outlet.

Stainless Steel (on some models)

Do not use a steel-wood pad; it will scratch the surface.

To clean the stainless steel surface, use a hot, damp cloth with a mild detergent suitable for stainless steel surfaces. Use a clean, hot, damp cloth to remove soap. Dry with a dry, clean cloth. Always scrub lightly in the direction of the grain.



CARE AND CLEANING

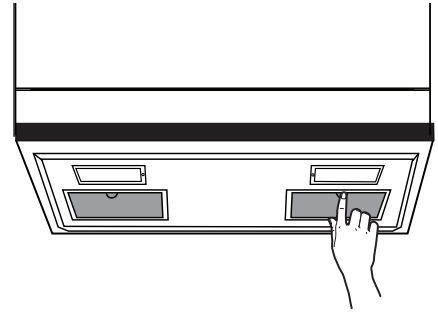
Removing and Cleaning the Filters

To remove, slide them to the rear using the tabs. Pull down and out.

To clean the vent filters, soak them and then swish around in hot water and detergent. Don't use ammonia or ammonia products because they will darken the metal. Light brushing can be used to remove embedded dirt.

Rinse, shake and let dry before replacing.

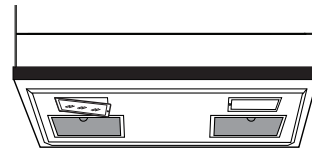
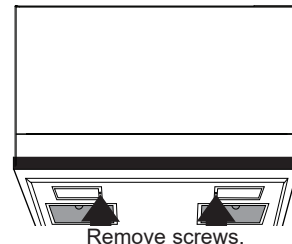
To replace, slide the filters into the frame slots on the back of each opening. Press up and to the front to lock into place.



Cooktop Lights/Nite Lights

Replace with DC12 volt, 1.2 watt LED lights. Order WB25X33469 from your Haier supplier.

1. To replace the cooktop lights/nite lights, first disconnect the power at the main fuse or circuit breaker panel, or pull the plug.
2. One side at a time, remove the screw from the side of the light compartment cover and lower the cover until it stops.
3. Be sure the LED light is cool before removing. Gently remove the LED wiring connector from LED board.
4. Replace with the new LED board and insert the wiring plug, then raise the light cover and replace the screw. Repeat for the other light. Connect electrical power to the oven.



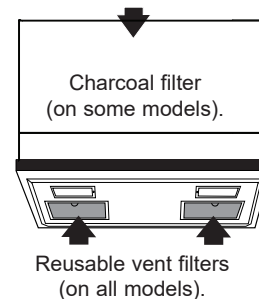
Replacing the Oven Cavity Lamp

1. Disconnect power at the main fuse or circuit breaker panel.
2. Press the charcoal access door at the top to open.
3. Remove charcoal filter if present. **NOTE:** Charcoal filter is an optional kit, you may not have one.
4. Press the retainer holding the lamp shield in place.
5. Pull the lamp shield out. Unscrew the LED light out and replace with the new LED board. Order WB25X33469 from your Haier supplier.
6. Return the lamp and lamp shield to original position and replace charcoal filter.
7. Reconnect power to the oven.

Vent Fan

The vent fan has two metal reusable vent filters.

Models that recirculate air back into the room also use a charcoal filter.



Reusable Vent Filters

The metal filters trap grease released by foods on the cooktop. They also prevent flames from foods on the cooktop from damaging the inside of the oven.

For this reason, the filters must always be in place when the hood is used. The vent filters should be cleaned once a month, or as needed.

TROUBLESHOOTING

Things That Are Normal With Your Microwave Oven

- Steam or vapor escaping from around the door.
- Light reflection around door or outer case.
- Dimming oven light and change in the blower sound at power levels other than high.
- Dull thumping sound while oven is operating.
- TV-radio interference might be noticed while using the microwave. Similar to the interference caused by other small appliances, it does not indicate a problem with the microwave. Plug the microwave into a different electrical circuit, move the radio or TV as far away from the microwave as possible or check the position and signal of the TV/radio antenna.

FEDERAL COMMUNICATIONS COMMISSION RADIO FREQUENCY INTERFERENCE STATEMENT (U.S.A. ONLY)

This equipment generates and uses ISM frequency energy and if not installed and used properly, that is in strict accordance with the manufacturer's instructions, may cause interference to radio and television reception. It has been type tested and found to comply with limits for ISM Equipment pursuant to part 18 of FCC Rules, which are designed to part 18 of FCC Rules, which are designed to provide residential installation.

However, there is no guarantee that interference will not occur in a particular installation. If this equipment does cause interference to radio or television reception, which can be determined by turning the equipment off and on, the user is encouraged to try to correct the interference by one or more of the following:

- Reorient the receiving antenna of the radio or television.

- Relocate the Microwave Oven with respect to the receiver.
- Move the microwave oven away from the receiver.
- Plug the microwave oven into a different outlet so that the microwave oven and the receiver are on different branch codes.

The manufacturer is not responsible for any radio or TV interference caused by unauthorized modification to this microwave oven. It is the responsibility of the user to correct such interference.

TROUBLESHOOTING

Save time and money! Review the charts on the following pages first and you may not need to schedule service. For more information on troubleshooting, visit us at Haierappliances.com/support/microwaves.

Problem	Possible Causes	What To Do
Oven will not start	A fuse in your home may be blown or the circuit breaker tripped.	Replace fuse or reset circuit breaker.
	Power surge.	Unplug the microwave oven, then plug it back in.
	Plug not fully inserted into wall outlet.	Make sure the 3-prong plug on the oven is fully inserted into wall outlet.
	Door not securely closed.	Open the door and close securely.
Control panel lighted, yet oven will not start	Door not securely closed.	Open the door and close securely.
	START button not pressed after entering cooking selection.	Press START .
	Another selection entered already in oven and OFF/CLEAR button not pressed to cancel it.	Press OFF/CLEAR .
	Cooking time not entered after pressing TIME COOK .	Make sure you have entered cooking time after pressing TIME COOK .
	OFF/CLEAR was pressed accidentally.	Reset cooking program and press START .
	Food weight not entered after selecting AUTO DEFROST .	Make sure you have entered food weight after selecting AUTO DEFROST .
CONTROL LOCKED appears on display	Food type not entered after pressing COOK .	Make sure you have entered a food type.
	The control has been locked.	Press and hold OFF/CLEAR for about 3 seconds to unlock the control.
HOT appears on display	The temperature inside the oven is greater than 200°F.	This is normal.
	One of the sensor cooking pads was pressed when the temperature inside the oven was greater than 200°F.	These features will not operate when the oven is hot.

NOTES

HAIER MICROWAVE OVEN LIMITED WARRANTY

Haierappliances.com

All warranty service is provided by our Factory Service Centers, or an authorized Customer Care® technician. To schedule service online, visit us at [Haierappliances.com/support/schedule-service](https://www.haierappliances.com/support/schedule-service), or call Haier at 1-877-470-9174. Please have your serial number and your model number available when calling for service.

Servicing your appliance may require the use of the onboard data port for diagnostics. This gives a Haier factory service technician the ability to quickly diagnose any issues with your appliance and helps Haier improve its products by providing Haier with information on your appliance. If you do not want your appliance data to be sent to Haier, please advise your technician not to submit the data to Haier at the time of service.

For the period of	Haier will replace
One year From the date of the original purchase	Haier will choose to replace or service the defective unit. <i>In the event of service</i> , Haier will provide any part of the microwave oven which fails due to a defect in materials or workmanship. During this limited one-year warranty , Haier will also provide, free of charge, all labor and related service costs to replace the defective part when the unit is serviced.

What Haier will not cover:

- Service trips to your home to teach you how to use the product.
- Improper installation, delivery or maintenance. If you have an installation problem, contact your dealer or installer. You are responsible for providing adequate electrical, exhausting, and other connecting facilities.
- Failure of the product or damage to the product if it is abused, misused (for example, cavity arcing from wire rack or metal/foil), or used for other than the intended purpose or used commercially.
- Replacement of house fuses or resetting of circuit breakers.
- Damage to the product caused by accident, fire, floods, or acts of God.
- Damage to finish, such as surface rust, tarnish, or small blemishes not reported within 48 hours of delivery.
- Incidental or consequential damage caused by possible defects with this appliance.
- Damage caused after delivery.
- Product not accessible to provide required service.
- Service to repair or replace light bulbs, except for LED lamps.

EXCLUSION OF IMPLIED WARRANTIES

Your sole and exclusive remedy is product repair as provided in this Limited Warranty. Any implied warranties, including the implied warranties of merchantability or fitness for a particular purpose, are limited to one year or the shortest period allowed by law.

This limited warranty is extended to the original purchaser and any succeeding owner for products purchased for home use within the USA. If the product is located in an area where service by a Haier Authorized Servicer is not available, you may be responsible for a trip charge or you may be required to bring the product to an Authorized Haier Service location for service. In Alaska, the limited warranty excludes the cost of shipping or service calls to your home.

Some states do not allow the exclusion or limitation of incidental or consequential damages. This limited warranty gives you specific legal rights, and you may also have other rights which vary from state to state. To know what your legal rights are, consult your local or state consumer affairs office or your state's Attorney General.

Warrantor: GE Appliances, a Haier company

Louisville, KY 40225

Extended Warranties: Purchase a Haier extended warranty and learn about special discounts that are available while your warranty is still in effect. You can purchase it online anytime at:

[Haierappliances.com/extended-warranty](https://www.haierappliances.com/extended-warranty)

Haier Service will still be there after your warranty expires.

Staple your receipt here. Proof of the original purchase date is needed to obtain service under the warranty.

ÍNDICE

INFORMACIÓN DE SEGURIDAD	3
USO DE LA COCINA	
Características	6
Controles.....	7
Acerca de las funciones	8
Otras Funciones	15
Conexión WiFi	20
Acceso Remoto Instalado	15
CUIDADO Y LIMPIEZA	21
CONSEJOS PARA LA SOLUCIÓN DE PROBLEMAS	23
GARANTÍA LIMITADA	25

INFORMACIÓN A TENER EN CUENTA

Le agradecemos la compra de este producto de marca Haier. Este manual para el usuario le ayudará a obtener el mejor funcionamiento de su nueva horno microondas.

Para referencia futura, registre el modelo y número de serie ubicados en el horno microondas, y la fecha de compra.

Engrape la prueba de compra a este manual para asistirle cuando necesite obtener servicio bajo la garantía.

Número de modelo

Número de serie

Fecha de compra

SITIO WEB DE HAIER

¿Desea realizar una consulta o necesita ayuda con su electrodoméstico? ¡Intente a través del Sitio Web de Haier las 24 horas del día, cualquier día del año! Usted también puede comprar más electrodomésticos maravillosos de Haier y aprovechar todos nuestros servicios de soporte a través de Internet, diseñados para su conveniencia. En EE.UU.: Haierappliances.com

LEA TODAS LAS INSTRUCCIONES ANTES DE USAR

⚠ ADVERTENCIA

Para reducir el riesgo de quemaduras, descargas eléctricas, incendio, lesiones o exposición a energía de microondas excesiva:

Cuando utilice aparatos eléctricos, se deben seguir las precauciones de seguridad básicas, entre las que se incluyen las siguientes:

- Lea todas las instrucciones antes de utilizar este aparato.
- Lea y siga las específicas en la sección "PRECAUCIONES PARA EVITAR LA POSIBLE EXPOSICIÓN A ENERGÍA DE MICROONDAS EXCESIVA" de la página 30.
- Utilice este aparato solamente para el fin previsto, como se describe en este manual. No utilice químicos ni vapores corrosivos en este aparato. Este horno está específicamente diseñado para calentar, secar o cocinar alimentos y bebidas y no está diseñado para usarse en un laboratorio ni para uso industrial.
- Este electrodoméstico sólo debería ser reparado por personal técnico con calificación. En caso de necesitar una evaluación, reparación o ajuste, comuníquese con el servicio autorizado más cercano.

INSTALACIÓN

- Instale o ubique este aparato únicamente de acuerdo a las instrucciones de instalación suministradas.
- Este aparato debe contar con una conexión a tierra. Conecte sólo a un tomacorriente con adecuada conexión a tierra. Ver la sección "INSTRUCCIONES DE CONEXIÓN A TIERRA" de la página 30.
- Este horno de microondas está listado por UL para su instalación en rangos de gas y eléctricos.
- Esta unidad es adecuada para usarse sobre equipos de cocción a gas o eléctricos, de 36" o menos de ancho.
- No utilice este aparato si tiene el cable eléctrico o el enchufe dañados, si no funciona bien o si ha sufrido una avería o una caída.
- Mantenga el cable alejado de superficies calientes.
- No permita que el cable eléctrico cuelgue sobre el borde de la mesa o del mostrador de encimera.
- No sumerja el cable eléctrico o el enchufe en agua.
- No cubra ni bloquee ninguna apertura de este aparato.
- No almacene este aparato al aire libre. No utilice este producto cerca del agua; por ejemplo, en un sótano húmedo, cerca de una piscina, cerca de un lavabo o lugares similares.
- No monte este aparato sobre el fregadero.

PARA REDUCIR EL RIESGO DE INCENDIO DENTRO DEL HORNO:

- No cocine excesivamente los alimentos. Vigile cuidadosamente el aparato cuando se coloque papel, plástico u otros materiales combustibles dentro del microondas para facilitar la cocción.
- Quite las tiritas de seguridad (twist-ties) y asas metálicas de los recipientes de papel o plástico antes de colocarlos dentro del microondas.
- Si los materiales que se encuentran dentro del horno prenden fuego, mantenga cerrada la puerta del horno, apáguelo y desconecte el cable eléctrico, o corte la energía desde el panel de fusibles o del interruptor de circuitos.
- No guarde ningún material, a excepción de nuestros accesorios recomendados, en este horno cuando no esté en uso. No deje productos de papel, utensilios de cocina ni comida en el horno cuando no esté en uso.
- No opere el horno sin alimentos adentro.

A FIN DE REDUCIR RIESGOS DE QUEMADURAS:

- Tenga cuidado al abrir envases con comida caliente. Use manijas y aleje el vapor del rostro y las manos.
- Ventile, perforo, o corte envases, bolsas, o bolsas plásticas para evitar la acumulación de presión.
- Tenga cuidado al tocar el plato giratorio, la puerta, o paredes del horno, los cuales se podrán calentar durante el uso.
- Los líquidos y ciertas comidas calentadas en el horno microondas pueden presentar riesgos de quemaduras, al ser retirados del horno microondas. La posibilidad de quemaduras es mayor en niños pequeños, a los cuales no se les deberá permitir retirar ítems calientes del horno microondas.

LEA Y GUARDE ESTAS INSTRUCCIONES

SEGURIDAD DEL ACONDICIONADOR DE AIRE

LEA TODAS LAS INSTRUCCIONES ANTES DE USAR

USO

- Como con cualquier aparato, cuando sea utilizado por niños es necesaria una estrecha vigilancia.
- No use el horno sin el plato giratorio en su posición. El plato giratorio no deberá tener restricciones, de modo que pueda girar.
- Asegúrese de que todos los utensilios usados en el horno microondas sean para uso en el mismo. Se pueden usar la mayoría de las cazuelas de vidrio, platos de cocción, tazas graduadas, tazas para postre, vajillas de cerámica o cubiertos de porcelana que no poseen bordes metálicos o vidriados con un brillo metálico, siguiendo las recomendaciones del fabricante.
- No almacene ningún elemento directamente sobre la superficie del horno de microondas cuando éste se encuentre en funcionamiento.
- Algunos productos tales como huevos enteros y contenedores sellados (por ejemplo, frascos sellados) son propensos a explotar y no deben calentarse en este horno. Tal uso del horno puede resultar en lesiones personales.
- No cocine demasiado las patatas. El deshidratado y incendiarse.
- No cubra las otra parte del horno con papel metálico. Esto ocasionará un sobrecalentamiento del horno microondas/ por convección.
- Cocine a fondo la carne de res o ave la carne de res a por los menos una temperatura INTERNA de 160° F y carne de ave a por lo menos una temperatura INTERNA de 180° F. Cocinar a estas temperaturas generalmente protege contra enfermedades causadas por los alimentos.
- Este horno no fue aprobado ni evaluado para uso en la marina.

LIMPIEZA

- Mantenga el horno libre de acumulación de grasa.
- No limpie con almohadillas metálicas para fregar. Las piezas podrán quemar la almohadilla y tener contacto con partes eléctricas, involucrando riesgos de descargas eléctricas.
- Al limpiar superficies de puerta y horno que se unen al cerrar la puerta, use sólo jabones o detergentes suaves y no abrasivos, aplicando los mismos con una esponja limpia o tela suave. Enjuague bien.

AGUA SOBRECALENTADA

- Líquidos, tales como agua, café o té, son capaces de sobrecalentarse más allá del punto de ebullición sin parecer que estén hirviendo. No siempre hay burbujeo o hervor visible cuando se saca el recipiente del horno microondas. ESTO PUEDE RESULTAR EN LA EBULLICIÓN REPENTINA DE LÍQUIDOS MUY CALIENTES CUANDO SE MUEVE EL RECIPIENTE O SE INSERTA UNA CUCHARA U OTRO UTENSILIO DENTRO DEL LÍQUIDO.
- Para reducir el riesgo de lesión física:
 - No sobrecaliente el líquido.
 - Revuelva el líquido antes y a la mitad del tiempo de calentamiento.
 - No utilice recipientes con costados rectos y cuellos angostos.
 - Después de calentar el recipiente, déjelo en el horno microondas por un período corto de tiempo antes de sacarlo.
 - Tenga extrema precaución cuando introduzca una cuchara u otro utensilio en el recipiente.

LEA Y GUARDE ESTAS INSTRUCCIONES

LEA TODAS LAS INSTRUCCIONES ANTES DE USAR

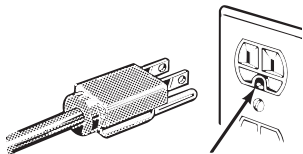
PRECAUCIONES PARA EVITAR LA POSIBLE EXPOSICIÓN A ENERGÍA DE MICROONDAS EXCESIVA

- (a) **No intente hacer** funcionar el horno con la compuerta abierta ya que esto puede provocar exposición peligrosa a la energía de microondas. Es importante no forzar ni dañar los seguros.
- (b) **No coloque** ningún objeto entre la parte frontal del horno y la compuerta, ni permita que se acumulen residuos de producto limpiador o detergente, suciedad o polvo en las superficies de sellado.
- (c) **No haga funcionar** el horno si se encuentra dañado. Es particularmente importante cerrar bien la compuerta
 - (1) la compuerta (doblada o curvada),
 - (2) las bisagras y pestillos (rotos o flojos),
 - (3) sellos de la compuerta y superficies de sellado.
- (d) **El horno no debe** ser ajustado o reparado por ninguna persona, excepto por personal de mantenimiento calificado.

INSTRUCCIONES DE CONEXIÓN A TIERRA

⚠ ADVERTENCIA

El uso inadecuado del enchufe de conexión a tierra puede provocar riesgos de descargas eléctricas.



Asegúrese de contar con una conexión a tierra adecuada antes de usar.

Este electrodoméstico debe estar conectado a tierra. Si se produjera un cortocircuito, la toma de tierra reduce el riesgo de descarga eléctrica al proveer un cable de escape para la corriente eléctrica.

Este electrodoméstico está equipado con un cable de corriente que dispone de un hilo para toma de tierra con un enchufe con toma de tierra. El enchufe debe estar conectado a una toma de corriente que esté debidamente instalada y con salida a tierra.

Consulte con un electricista cualificado o un técnico de reparaciones si no entiende completamente las instrucciones sobre la toma de tierra, o si tuviese alguna duda sobre si su

aparato está debidamente conectado a tierra.

Si la toma de corriente es un modelo estándar de dos clavijas, es su responsabilidad personal y su obligación el reemplazarla por una toma adecuada para tres clavijas con conexión a tierra.

Bajo ninguna circunstancia debe cortar o quitar la tercera clavija (tierra) del cable de corriente.

No recomendamos el uso de un cable de prolongación con este electrodoméstico. Si el cable de corriente es demasiado corto, haga que un electricista cualificado o un técnico de reparaciones instalen una toma de corriente cerca del electrodoméstico.

(Consulte la sección ADVERTENCIA—CABLES DE PROLONGACIÓN.)

Para un mejor funcionamiento, enchufe este electrodoméstico en una toma de corriente exclusiva para evitar parpadeos de luz, fusibles quemados o que salte el diferencial.

MARCAPASOS

La mayoría de los marcapasos poseen protección contra interferencias de productos eléctricos, incluyendo microondas. Sin embargo, es aconsejable que los pacientes con marcapasos consulten a sus médicos ante cualquier duda.

EXTRACTOR

⚠ ADVERTENCIA

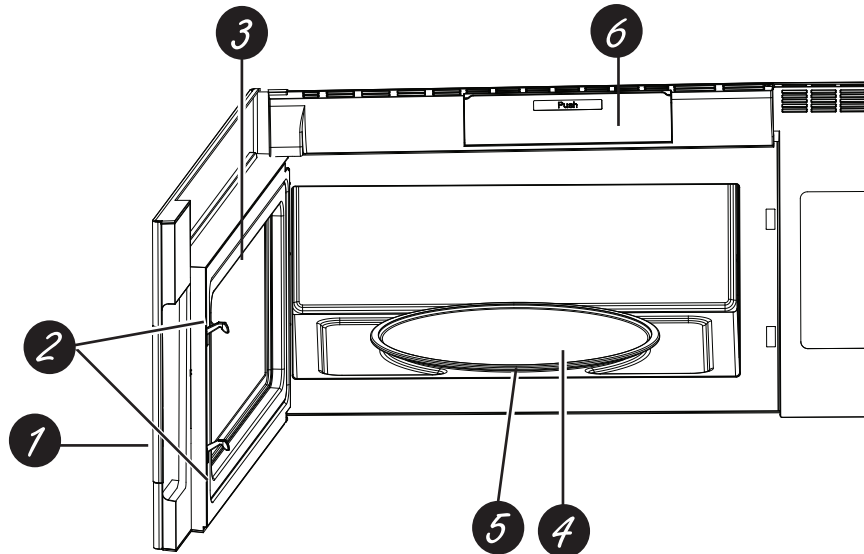
El ventilador funcionará de forma automática bajo ciertas condiciones. Asegúrese de evitar la activación y extensión accidental del fuego de cocción mientras el extractor está en uso.

- Limpie la cara inferior del horno microondas de forma frecuente. No permita que se acumule grasa en el horno microondas o en los filtros del ventilador.
- En caso de que haya fuego producido por la grasa en las unidades de la superficie debajo del horno microondas, apague una olla llameante sobre la unidad de la superficie cubriendo la olla completamente con una tapa, una asadera de galletitas o una bandeja plana.
- Limpie con cuidado los filtros del extractor. Agentes de limpieza corrosivos, tales como los limpiadores de horno a base de soda cáustica, podrán dañar los filtros.
- Al preparar comidas llameantes debajo del horno microondas, encienda el ventilador.
- Nunca deje de prestarle atención a las unidades de la superficie debajo de su horno microondas en las configuraciones altas de calor. Las ebulliciones producen humo y derrames de grasa que pueden encender y esparcir el fuego si el ventilador del horno microondas está en funcionamiento. A fin de minimizar el funcionamiento del ventilador automático, use utensilios de tamaño adecuado y use un nivel de calor alto en las unidades de la superficie sólo cuando sea necesario.

LEA Y GUARDE ESTAS INSTRUCCIONES

FUNCIONES

Es posible que las funciones y apariencias varíen con relación a su modelo a lo largo del manual.



1. Manija de la Puerta

2. Pestillos de la Puerta

3. **Ventana con Protector Metálico.** La pantalla permite que la cocción pueda ser observada mientras se mantienen las microondas dentro del horno.

4. **Soporte del Plato Giratorio.** No utilice el horno en el modo de microondas sin el plato giratorio y el soporte del plato giratorio, ubicados en sus lugares correspondientes.

5. **Soporte Extraíble del Plato Giratorio.** No utilice el horno en el modo de microondas sin el plato giratorio ni el soporte del plato giratorio ubicados en su lugar.

6. **Tapa del Filtro de Carbón** Empuje la tapa para reemplazar el filtro de carbón sin retirar la unidad del gabinete.

ACCESORIOS

Kit de instalación de gabinete de 15 "

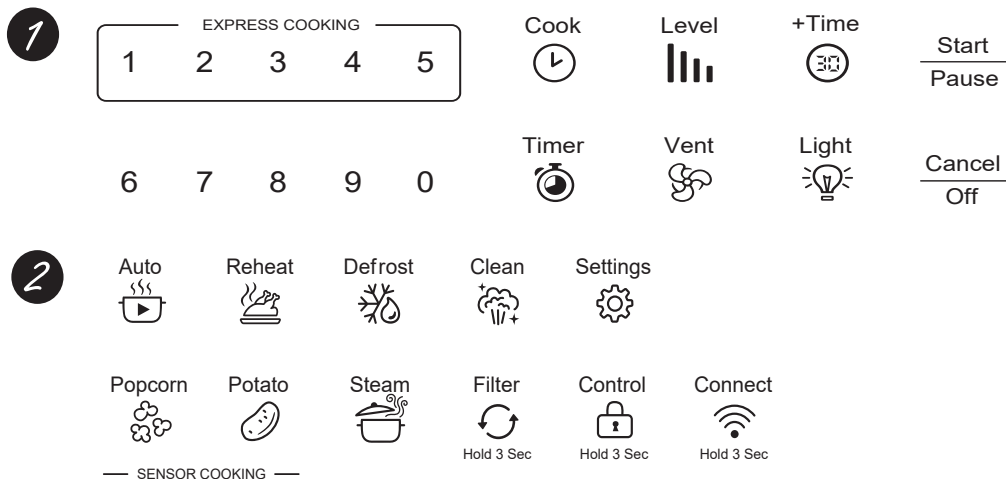
Para usar con gabinetes de más de 13 pulgadas. Lleva el microondas más lejos de la pared para mejorar la ventilación, el acceso y la apariencia.

Accesorios

JX15BUMPBB

ACERCA DE LAS FUNCIONES

Es posible que las funciones y apariencias varíen con relación a su modelo a lo largo del manual.



Consulte la Guía de Acciones Convenientes antes de comenzar.

1 Funciones por Tiempo

Presione	Icono	Iniciar
COOK TIME (tiempo de cocción)	Cook 	Cantidad de tiempo de cocción
DEFROST (descongelar)	Defrost 	Peso o tiempo
TIMER (temporizador)	Timer 	
POWER LEVEL (nivel de potencia)	Level 	Nivel de potencia de 1 a 10
ADD #) SEC (agregar 30 segundos)	+Time 	¡Comienza de inmediato!
EXPRESS COOK (cocción exprés)		¡Comienza de inmediato!

2 Funciones del Sensor/Convenientes

Presione	Icono	Iniciar
COCCIÓN AUTOMÁTICA	Auto 	Presione la tecla para seleccionar la comida
PALOMITAS DE MAÍZ	Popcorn 	¡Comienza de inmediato!
RECALENTAR	Reheat 	Presione la tecla para seleccionar la comida
PAPA	Potato 	¡Comienza de inmediato!
COCINAR AL VAPOR	Steam 	Presione la tecla para seleccionar la comida

ACERCA DE LAS FUNCIONES

Tiempo de Cocción

Le permite cocinar en el horno microondas por cualquier tiempo hasta 99 minutos y 99 segundos.

Power level 10 (Nivel de potencia 10) se configura de forma automática, pero lo puede modificar para una mayor flexibilidad.

1. Presione **Cook Time (Tiempo de Cocción)**.
2. Ingrese el tiempo de cocción.
3. Presione **START (Iniciar)**.

La cocción se iniciará cuando la cuenta regresiva comience en la pantalla.

Puede abrir la puerta durante **Time Cook (Cocción con Temporizador)** para controlar la comida. Cierre la puerta y presione **START (Iniciar)** para reanudar la cocción.

Cook



6 7 8 9 0

Start

Pause

Cocción Exprés

Ésta es una forma rápida de configurar el tiempo de cocción entre 1 y 5 minutos.

1. Presione una de las teclas de **Express Cook (Cocción Exprés)** (de 1 a 5) para una cocción de entre 1 y 5 minutos en el **nivel de potencia 10**.
Por ejemplo: presione la tecla 2 para un tiempo de cocción de 2 minutos.

El nivel de potencia se puede modificar mientras se está realizando la cuenta regresiva. Presione **POWER LEVEL (Nivel de Potencia)** e

ingrese una opción del 1 al 10.

NOTA: La función Express Cook (Cocción Exprés) se aplica sólo con las teclas 1 a 5.



6 7 8 9 0

Agregar 30 segundos

Esto agregará 30 segundos a la cuenta regresiva cada vez que la tecla se presione. Cada vez que presione se sumarán 30 segundos, hasta 99 minutos y 99 segundos.

Add 30 sec (Agregar 30 segundos) también se puede usar como un botón exprés de 30 segundos. El horno microondas comenzará a funcionar de inmediato cuando se presione.

+Time



Descongelación por Peso

Use **Weight Defrost (Descongelación por Peso)** para carnes, aves y pescado. Use **Time Defrost (Descongelación por Tiempo)** para la mayoría de las demás comidas congeladas. (La función Descongelación por Tiempo se explica en la página 13).

1. Presione **DEFROST (Descongelar)** una vez para **Weight Defrost (Descongelación por Tiempo)**.
2. Ingrese el peso en libras.
3. Presione **START (Iniciar)**. La cocción se iniciará cuando la cuenta regresiva comience en la pantalla.

Defrost



6 7 8 9 0

Start

Pause

Consejos para la Descongelación

- Retire la carne del paquete y coloque la misma en el plato para un uso seguro en el microondas.
- Cuando el horno dé la señal, dé vuelta la comida. Retire la carne descongelada o cubra las partes calientes con trozos pequeños de papel de aluminio.
- Luego de la descongelación, la mayoría de las carnes necesitan reposar durante 5 minutos para completar la misma. Al asar durante tiempo prolongado se debería dejar reposar por unos 30 minutos.

Guía de Conversión

Si el peso de la comida se expresa en libras y onzas, las onzas se deberán convertir a décimas (.1) de una libra.

Ounces	Libras
1-2	.1
3	.2
4-5	.3
6-7	.4
8	.5
9-10	.6
11	.7
12-13	.8
14-15	.9

Nota: Máximo de 6.0 libras.

ACERCA DE LAS FUNCIONES

Descongelación con Temporizador

Le permite descongelar durante un período de tiempo seleccionado. Consulte los tiempos sugeridos en la Guía de Descongelación en la página 14 (la función **Weight Defrost (Descongelación por Tiempo)** se explica en la página 12.)

1. Presione **DEFROST (Descongelar)** dos veces para activar **Time Defrost (Descongelación por Tiempo)**.
2. Ingrese tiempo de descongelación en minutos y segundos.
3. Presione **START (Iniciar)**.
La cocción se iniciará cuando la cuenta regresiva comience en la pantalla.

Una vez transcurrido el tiempo de descongelación seleccionado, dé vuelta la comida y separe o reorganice los trozos de comida para una descongelación más pareja. Cubra cualquier área caliente con trozos pequeños de papel de aluminio. El horno continuará descongelando si no abre la puerta y da vuelta la comida.

Se podrán escuchar ruidos durante la descongelación. Esto es normal cuando el horno no está funcionando en el nivel de potencia **High (Alto)**.

Consejos para la Descongelación

- Las comidas congeladas en papel o plástico se podrán descongelar en el paquete. Los paquetes cerrados se deberán cortar, perforar o ventilar LUEGO de que la comida se haya descongelado parcialmente. Los envases de plástico se deberán descubrir en forma parcial.
- Las comidas de tamaño familiar preempaquetadas se podrán descongelar y cocinar. Si la comida se encuentra en el envase de papel de aluminio, traslade la misma a un plato para uso seguro en el horno microondas.
- Las comidas que se echan a perder con facilidad no se deberán dejar reposar por más de una hora luego de la descongelación. La temperatura ambiente estimula el desarrollo de bacterias nocivas.
- Para una descongelación más pareja de comidas más grandes, tales como asado, use **Auto Defrost (Descongelación Automática)**. Asegúrese de que las carnes queden totalmente descongeladas antes de cocinar.
- Una vez descongelada, la comida debería estar fría pero ablandada en todas las áreas. Si aún está un poco congelada, vuelva a colocarla en el horno microondas muy brevemente, o deje reposar la misma por unos pocos minutos.

Defrost



EXPRESS COOKING

1 2 3 4 5

6 7 8 9 0

Start

Pause

ACERCA DE LAS FUNCIONES

Guía de Descongelación

COMIDA	TIEMPO	COMENTARIOS
Panes, Tortas Panes, buñuelos o panecillos (1 trozo) Pastelitos (12 oz. aprox.)	1/4 de min. 2 a 4 min.	Vuelva a arreglar luego de la mitad del tiempo.
Pescado y Mariscos Filetes, congelados (1 lb.)	6 a 9 min.	
Fruta Bolsa de Plástico - 1 o 2 (paquete de 10 oz.)	1 a 5 min.	
Carne Tocino (1 lb.)	2 a 5 min.	Coloque el paquete cerrado en el horno. Deje reposar por 5 minutos luego de la descongelación.
Salchichas Tipo Frankfurt (1 lb)	2 a 5 min.	Coloque el paquete cerrado en el horno. Cocine en el horno microondas hasta que las salchichas tipo Frankfurt se puedan separar. Deje reposar por 5 minutos, de ser necesario, para completar la descongelación.
Carne picada (1 lb)	4 a 6 min.	Dé vuelta luego de la primera mitad de tiempo. Use el nivel de potencia 10.
Asar: Bife, cordero, ternera, cerdo	9 a 13 min. por lb..	PColoque la carne aún envuelta en el plato de cocción. Dé vuelta luego de la primera mitad de tiempo y cubra las áreas calientes con papel de aluminio. Luego de la segunda mitad de tiempo, separe los trozos con un cuchillo de mesa. Espere hasta que se complete la descongelación.
Bistecs, chuletas de cerdo y cordero	4 a 8 min. por lb.	
Ave Pollo, hervir-freír - cortar (2½ a 3 lbs.)	14 a 20 min.	Coloque el pollo envuelto en el plato. Desenvuelva y dé vuelta luego de la primera mitad de tiempo. Luego de la segunda mitad de tiempo, separe los trozos y coloque los mismos en un plato de cocción. Cocine en el horno microondas entre 2 y 4 minutos más, si es necesario. Deje reposar por unos pocos minutos para finalizar la descongelación.
Pollo, entero (2½ a 3 lbs.)	20 a 25 min.	Coloque el pollo envuelto en el plato. Luego de la mitad de tiempo, desenvuelva y dé vuelta el pollo. Cubra las partes calientes con papel de aluminio. Para completar la descongelación, deje correr agua fría en la cavidad hasta que se puedan retirar los menudos. Coloque la gallina sin desenvolver en el horno con la pechuga hacia arriba. Dé vuelta luego de la primera mitad de tiempo. Deje correr agua por la cavidad hasta que se puedan quitar los menudos.
Gallina de cornualles	7 a 13 min. por lb.	Coloque la pechuga sin desenvolver en el plato para uso seguro en horno microondas con la pechuga hacia abajo. Luego de la primera mitad de tiempo, dé vuelta la pechuga hacia arriba y cubra las partes calientes con papel de aluminio. Descongele durante la segunda mitad del tiempo. Deje reposar entre 1 y 2 horas en el refrigerador para completar la descongelación.
Pechuga de pavo (4 a 6 lbs.)	3 a 8 min. por lb.	

ACERCA DE LAS FUNCIONES

La función Sensor Features (Funciones con Sensor) detecta el aumento de la humedad liberada durante la cocción. El horno ajusta de forma automática el tiempo de cocción a diferentes tipos y cantidades de comida.

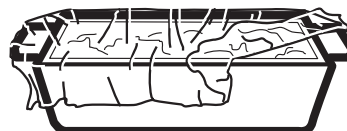
No use Sensor Features (Funciones con Sensor) dos veces seguidas en la misma porción de comida; esto podrá hacer que la comida se sobrecaliente de forma excesiva o que se queme. Asegúrese de dejar que el horno se enfríe entre 5 y 10 minutos antes de iniciar la siguiente cocción con sensor.

Si la comida no terminó de cocinarse luego de la cuenta regresiva, use Cook Time (Tiempo de Cocción) para adicionar tiempo de cocción.

- Es esencial contar con envases y cobertores para una mejor cocción con sensor.
- Siempre use envases para uso seguro en el microondas y cubra los mismos con tapas o envoltorios de plástico ventilados. Nunca use envases de plástico sellados – pueden impedir la salida de vapor y hacer que la comida se sobrecaliente.
- **Asegúrese de que la parte exterior de los envases de cocción y el interior del horno microondas estén secos** antes de colocar comida en el horno. Las gotas de humedad que se convierten en vapor pueden alterar el funcionamiento del sensor.



Cubierto



Ventilado



Seque los platos de modo que no alteren el funcionamiento del sensor.

Cambio de las Configuraciones Automáticas

Para reducir el tiempo en un 10%:

Presione 1 luego de la tecla de la función.

Para sumar un 10% al tiempo de cocción:

Presione 9 luego de la tecla de la función.

Cocción Automática

Le permite hornear en el microondas una variedad de comidas con uso del sensor.

1. Presione el botón **AUTO COOK (Cocción Automática)**.
2. Ingrese el código del tipo de comida. Lea la Guía de Cocción de AUTO COOK (Cocción Automática) a continuación para conocer los códigos o consulte en la pantalla los tipos de comida.
3. Presione **START (Iniciar)**.

El horno emite una señal cuando se produce vapor y el tiempo restante comienza la cuenta regresiva.

No abra la puerta del horno hasta que se esté realizando la cuenta regresiva. Si la puerta es abierta antes de finalizada la cuenta regresiva, serán emitidos 4 pitidos mientras en la pantalla se mostrará y repetirá por ciclos "SENSOR ERROR" (Error del Sensor) hasta que se presione **CANCEL (Cancelar)**. La cocción con sensor también será cancelada. Si la puerta es abierta durante la cuenta regresiva, cierre la misma y presione **START (Iniciar)** de inmediato.

Auto



Guía de Cocción para la Función de Cocción Automática

EXPRESS COOKING

1 2 3 4 5

6 7 8 9 0

Start
Pause

ENTRADA DE CÓDIGO	COMIDA	COMENTARIOS
1	Pollo	
2	Pez	
3	Carne Molida	
4	Verduras	Ingrese el tipo de comida 1. Verduras frescas 2. Verduras congeladas 3. Verduras enlatadas

ACERCA DE LAS FUNCIONES

Palomitas de Maíz

Para usar la función de **Popcorn (Palomitas de Maíz)**:

1. Coloque el paquete congelado de palomitas de maíz en el centro del microondas.
2. Presione **POPCORN (Palomitas de Maíz)**. El horno se inicia de inmediato.

Su bolsa de palomitas de maíz podrá quedar atascada y dejar de girar, pero esto no afectará el rendimiento de la cocción. No abra la puerta, incluso aunque la bolsa no esté girando.

Usar la función de ventilación junto con la función del sensor de palomitas de maíz puede generar un exceso de cocción.

Cambio de las Configuraciones Automáticas

Para reducir el tiempo en un 10%: Presione 1 luego de la tecla de la función.

Para sumar un 10% al tiempo de cocción: Presione 9 luego de la tecla de la función.

Si la comida no termina de cocinarse luego de la cuenta regresiva, use **Cook Time (Tiempo de Cocción)** para adicionar tiempo de cocción. Recomendamos 30 segundos y observar atentamente.

Popcorn



Recalentar

La función **Reheat (Recalentar)** vuelve a calentar las porciones de comidas cocinadas previamente o un plato con restos de comida.

1. Presione **REHEAT (Recalentar)**.

Reheat



2. Usando la guía de cocción que aparece a continuación, ingrese el código de la comida. Por ejemplo, 1 para Pasta.
3. Presione **START/PAUSE (Iniciar/ Pausar)**. El horno emite una señal cuando se produce vapor y el tiempo restante comienza la cuenta regresiva.

No abra la puerta del horno hasta que se esté realizando la cuenta regresiva. Si la puerta es abierta antes de finalizada la cuenta regresiva, serán emitidos 4 pitidos mientras en la pantalla se visualizará el ciclo "SENSOR ERROR" (Error del Sensor) hasta que se presione **CANCEL (Cancelar)**. La cocción con sensor también será cancelada. Si la puerta es abierta durante la cuenta regresiva, cierre la misma y presione **START (Iniciar)** de inmediato.

Luego de retirar la comida del horno, revuelva, si es posible, para emparejar la temperatura. Si la comida no se calentó lo suficiente, use Cook Time (Tiempo de Cocción) para recalentar durante más tiempo. Las comidas recalentadas podrán tener amplias variaciones de temperatura. Es posible que algunas partes de la comida estén extremadamente calientes.

Es mejor usar Cook Time (Tiempo de Cocción) para estas comidas:

- Productos con pan
- Comidas que se deben recalentar estando cubiertas
- Comidas que se deben revolver o rotar al ser recalentadas.
- Comidas que deben tener un aspecto seco o una superficie crocante luego de ser recalentadas.

Cambio de las Configuraciones Automáticas

Para reducir el tiempo en un 10%: Presione 1 luego de la tecla de la función.

Para sumar un 10% al tiempo de cocción: Presione 9 luego de la tecla de la función.

Guía de Cocción para la función Reheat (Recalentar)

Entrada del Código	Comida
1	Pasta
2	Pizza
3	Plato
4	Sopa

Papa

Para usar la función de **Potato (Papa)**:

Coloque la papa(s) en el horno.

1. Coloque la papa en el centro del microondas.
2. Presione **POTATO (Papa)**.

Potato



El horno se inicia de inmediato.

No abra la puerta del horno hasta que se esté realizando la cuenta regresiva. Si la puerta es abierta antes de finalizada la cuenta

regresiva, serán emitidos 4 pitidos mientras en la pantalla se visualizará el ciclo "SENSOR ERROR" (Error del Sensor) hasta que se presione **CANCEL (Cancelar)**. La cocción con sensor también será cancelada. Si la puerta es abierta durante la cuenta regresiva, cierre la misma y presione **START (Iniciar)** de inmediato.

Cambio de las Configuraciones Automáticas

Para reducir el tiempo en un 10%: Presione 1 luego de la tecla de la función.

Para sumar un 10% al tiempo de cocción: Presione 9 luego de la tecla de la función.

ACERCA DE LAS FUNCIONES

Términos del Microondas

Término	Definición
Arco Eléctrico	Arco eléctrico es el término que se usa para definir la producción de chispas en el horno microondas. Los arcos eléctricos son producidos por: <ul style="list-style-type: none"> • Metal o papel de aluminio en contacto con el lateral del horno. • Papel de aluminio no moldeado a la comida (los extremos doblados actúan como antenas). • Metales, tales como precintos, pinchos de ave, o platos con rebordes dorados. • Toallas de papel reciclable que contengan pequeños trozos de metal.
Tapa	Los cobertores retienen la humedad, permiten calentar de forma más pareja y reducen el tiempo de cocción. Ventilar los envoltorios de plástico o cubrir con tapas con papel para alimentos permite la salida de vapor excesivo.
Cubrir	En un horno normal, usted cubre las pechugas de pollo o comidas asadas para evitar que se doren en exceso. Al cocinar en el horno microondas, deberá usar pequeñas tiras de papel de aluminio para cubrir partes pequeñas, tales como puntas de alas y patas de aves, que se podrían cocinar antes que las partes grandes.
Tiempo de Inactividad	Al cocinar con hornos regulares, las comidas asadas o las tortas se pueden dejar hasta finalizar la cocción o el tiempo programado. El tiempo en espera es especialmente importante en la cocción en el horno microondas. Se debe observar que una torta cocinada en un horno microondas no se coloca en un estante de refrigeración.
Ventilación	Luego de cubrir un plato con un envoltorio plástico, este último se ventila dando vuelta un extremo de modo tal que el vapor pueda salir.

Vapor

Use la función Steam (Vapor) para ciertas comidas preprogramadas.

1. Presione el botón **STEAM (Vapor)**.
2. Ingrese el código del tipo de comida que desee cocinar con vapor. Lea la Guía de Cocción para STEAM (Vapor) a continuación para conocer los códigos o consulte en la pantalla los tipos de comida.
3. Coloque el recipiente con agua, sal (si es necesario), y comida en el horno microondas con las ventilaciones de vapor en el recipiente en la posición OPEN (Abierta).
4. Presione el botón **START (Iniciar)** para iniciar la cocción.

NOTA: Se deberá usar el Recipiente para Arroz/ Vaporera NordicWare para obtener mejores resultados en la cocción.



6 7 8 9 0

Start
Pause

Guía de Cocción para la Función con Vapor

Entrada del Código	Comida	Entrada de la Cantidad
1	Arroz	1 - 1 taza de arroz blanco 2 - 1 taza de arroz integral
2	Espárragos	1 - 1 taza 2 - 2 tazas
3	Brócoli	1 - 1 taza 2 - 2 tazas
4	Repollitos de Bruselas	1 - 1 taza 2 - 2 tazas
5	Zanahorias	1 - 1 taza 2 - 2 tazas
6	Coliflor	1 - 1 taza 2 - 2 tazas
7	Calabacín	1 - 1 taza 2 - 2 tazas

ACERCA DE LAS FUNCIONES

Cómo Modificar el Nivel de Potencia

El nivel de potencia podrá ser ingresado o modificado antes o durante la cocción. **Power Level (Nivel de Potencia)** está configurado en el Nivel 10 (Alto) a menos que sea modificado.

1. Presione el botón Power Level (Nivel de Potencia).
2. Ingrese el nuevo nivel de potencia usando las teclas numéricas o presionando el botón **Power Level (Nivel de Potencia)** muchas veces hasta que se alcance el nivel de potencia que desee.
3. Luego de seleccionar el nivel de potencia, espere cinco segundos. Se volverá a visualizar la pantalla **Cook Time (Tiempo de Cocción)**.
4. Ingrese el tiempo de cocción y presione **START (Iniciar)**.

O

1. Presione el botón **Cook Time (Tiempo de Cocción)**.
2. Ingrese el tiempo de cocción.
3. Presione el botón **Power Level (Nivel de Potencia)**.
4. Ingrese el nuevo nivel de potencia usando las teclas numéricas o presionando el botón Power Level (Nivel de Potencia) muchas veces hasta que encuentre el nivel de potencia que desee.
5. Luego de seleccionar el nivel de potencia, espere cinco segundos. Se volverá a visualizar la pantalla **Cook Time (Tiempo de Cocción)**.
6. Presione **START (Iniciar)**.

Los niveles de potencia variables suman flexibilidad a la cocción en el microondas. Los niveles de potencia del horno microondas se pueden comparar con las unidades de superficie de una cocina. Cada nivel de potencia le brinda energía de microondas un cierto porcentaje del tiempo. El **Nivel de Potencia 7** es energía de microondas el 70% del tiempo. El **Nivel de Potencia 3** es energía el 30% del tiempo. La mayoría de las cocciones se harán en High (Alto) (nivel de potencia 10), lo cual le brinda el 100% de potencia. **Power level 10 (Nivel de potencia 10)** hará la cocción más rápido pero será necesario revolver, rotar o dar vuelta la comida con mayor frecuencia. Una configuración inferior hará la cocción más pareja y se necesitará revolver y rotar menos la comida. Algunas comidas podrán tener mejor sabor, textura o aspecto si se usa una de las configuraciones inferiores. Use un nivel de potencia inferior al cocinar comidas con tendencia a hervir, tales como papas en escalope y algunas cazuelas.

Los períodos de descanso (cuando los ciclos de energía de microondas finalizan) brindan tiempo para que la comida "equipare" o transfiera calor al interior de la comida. Un ejemplo de esto se

muestra con el **nivel de potencia 3** - el ciclo de descongelamiento. Si la energía del microondas no finalizó el ciclo, la parte externa de la comida se cocinará antes de que el interior esté descongelado.

Estos son algunos ejemplos de usos de diferentes niveles de potencia:

Alto 10 (100%): Pescado, tocino, verduras, líquidos en hervor.

Medio-Alto 7 (70%): Cocción suave de carne y ave; cacerolas para hornear y recalentar.

Medio 5 (50%): Cocción lenta y ablandamiento para guisados y cortes de carne menos tiernos.

Bajo 2 o 3 (20 o 30%): Descongelar; hervir a fuego lento; platos delicados.

Caliente 1 (10%): Mantener la comida caliente; ablandar la manteca.

NOTA: También puede modificar el nivel de potencia durante muchos modos de cocción, presionando el botón de nivel de potencia e ingresando un nivel de potencia válido.



ACERCA DE LAS FUNCIONES

Iniciar/ Pausar

Además de iniciar muchas funciones, **START/ PAUSE (Iniciar/ Pausar)** le permite dejar de cocinar sin abrir la puerta ni reiniciar la pantalla y reiniciar la cocción más tarde.

Start
Pause

Cancelar/ Apagar

Presione el botón **CANCEL/ OFF (Cancelar/ Apagar)** para detener y cancelar la cocción en cualquier momento.

Cancel
Off

Bloqueo del Control

Puede bloquear el panel de control para evitar que el horno se inicie de forma accidental durante la limpieza o cuando sea usado por niños.

Para bloquear o desbloquear los controles, mantenga presionado el botón **LOCK CONTROL (Control Bloqueado)** durante tres segundos. Cuando el panel de control esté bloqueado, aparecerá LOCKED (Bloqueado) brevemente en cualquier momento en que un botón o dial sean presionados. Aparecerá la "L" en la pantalla.

Control

Hold 3 Sec

Luz Superficial

Presione **SURFACE LIGHT (Luz de la Superficie)** una vez para activar la luz alta, dos veces para activar la luz baja o una tercera vez para apagar la luz.

Light


NOTA: El indicador del **Temporizador** se iluminará mientras el temporizador esté funcionando.

Temporizador

El **temporizador** funciona como un temporizador por minutos y puede ser usado en cualquier momento, incluso cuando el horno está funcionando.

1. Presione el botón **TIMER (Temporizador)**.
2. Ingrese el tiempo.
3. Presione el botón Timer (Temporizador) para dar inicio.
Para cancelar, presione el botón Timer (Temporizador).

Para apagar la señal del temporizador, presione **TIMER (Temporizador)**.

Timer


OTRAS FUNCIONES

Steam Clean (Limpieza al Vapor)

1. Presione el botón **Steam Clean** (Limpieza al Vapor).
 2. Coloque el recipiente de vapor con 1/4 de taza de agua.
 3. Presione el dial o **Start/Pause** (Iniciar/Pausar) para comenzar.
- Una vez finalizado el ciclo, limpie la cavidad del horno con una toalla de papel o de tela.

Clean



Pantalla

Si el Temporizador está realizando el conteo y está usando Cook Time (Tiempo de Cocción) al mismo tiempo, podrá cambiar la pantalla para mostrar el conteo del temporizador o del tiempo de cocción.

Si la pantalla muestra el tiempo del Temporizador y desea ver el Tiempo de Cocción, presione el botón **COOK TIME (Tiempo de Cocción)**.



Si la pantalla muestra el conteo del Tiempo de Cocción y desea ver el Temporizador, presione el botón **TIMER (Temporizador)**.



Ventilación

El ventilador de la ventilación elimina el vapor y otros vapores de la cocción superficial.

Presione **VENT FAN (Ventilador)** una vez para una velocidad alta del ventilador, dos veces para una velocidad baja del ventilador, o tres veces para apagar el ventilador.

Ventilador Automático

La función de ventilador automático protege el horno microondas de una elevación de calor excesivo proveniente de la cocina debajo de éste. Se enciende de forma automática al sentir demasiado calor.

Si encendió el ventilador, es posible que observe que no lo puede apagar. El ventilador se apagará de forma automática una vez que las partes internas estén apagadas. Podrá permanecer encendido por 30 minutos o más luego de que los controles de la cocina o del horno microondas estén apagados.

Vent



Recordatorio de Insertar los Alimentos

Un recordatorio le mostrará en la pantalla si el usuario intenta iniciar el ciclo de cocción sin colocar comida dentro del horno microondas dentro de los 5 minutos antes de iniciar el ciclo de cocción.

Recordatorio de Cocción Completa

Para recordarle que colocó comida en el horno, este último mostrará "The food is ready" (la comida está preparada) y emitirá un pitido una vez por minuto hasta que abra el horno o presione el botón **CANCEL/OFF (Cancelar/ Apagar)**.

OTRAS FUNCIONES

Settings

Settings allow to change the default settings of your OTR.

1. Press the Settings pad. "SELECT SETTING ITEM

- 3- BEEPER VOLUME
- 2- CLOCK MODE
- 1- CLOCK SETTING
- 5- DISPLAY ON/OFF
- 4- TURN TABLE
- 6- REMOTE ENABLE
- 7- EXIT

2. Select the item to change the settings. See below tables for detail Guide

Settings



Code Entry	Items for setting	Level Entry
3	Beeper Volume	0 - Mute 1 - Low 2 - Normal 3 - Loud Default is normal
2	Clock Mode	0 - 12 hours 1 - 24 hours Default is 12 hours
1	CLOCK Setting	Entry valid number for setting clock time
5	Display On/Off	0 - OFF 1 - ON default setting is ON
4	Turntable On/Off	0 - OFF 1 - ON default setting is ON
6	Remote Enable: Remote Enable On/Off feature could enable you to start the microwave from a remote source or avoid you unintendedly to control your microwave remotely. For turn on/off this feature please press "Settings" button on the control panel then press "9" to select this feature then press "1" for On and "0" for Off function.	0-OFF 1-ON Default is off
7	Setting Exit	1 - EXIT

OTRAS FUNCIONES

Reinicio del Filtro

El indicador LED rojo se iluminará cada 6 meses para recordarle que se debe reemplazar el filtro de carbón. Luego de reemplazar el filtro de carbón, mantenga presionada la tecla **Reset Filter (Reiniciar Filtro)** durante 3 segundos para apagar el indicador LED rojo.

Filter



Hold 3 Sec

Filtro de Carbón

El filtro de carbón no puede ser limpiado. Debe ser reemplazado. Ordene el no de Pieza WB02X11550 a su proveedor de Haier.

Si el modelo no tiene ventilación hacia afuera, el aire será recirculado a través de un filtro de carbón descartable que ayude a retirar el humo y los olores.

El filtro de carbón debe ser reemplazado cuando el indicador LED rojo se ilumine bajo la tecla Reset Filter (Reiniciar Filtro). Para más información, consulte "Kits Opcionales" en la página 8.

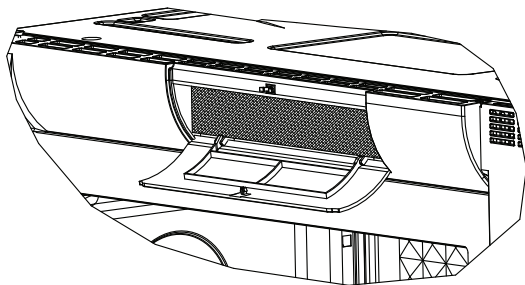
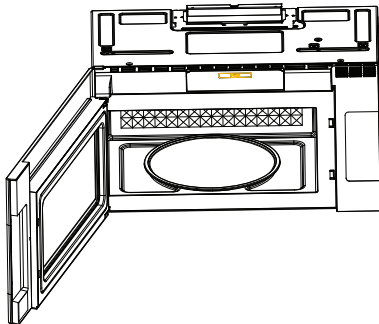
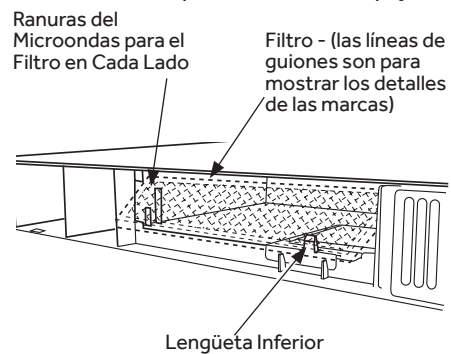
Para Retirar el Filtro de Carbón

Para retirar el filtro de carbón, primero desconecte el encendido en el fusible principal o disyuntor, o empuje el cable. Abra la puerta del horno microondas y empuje el área "Push" (Empujar) en la tapa del filtro de carbón en el centro de la rejilla. Vuelva a presionar la parte superior del filtro con ambas manos hasta que el filtro se apoye de forma casi horizontal. Levante el filtro en la parte inferior hasta que se libere de las lengüetas. Deslice el filtro hacia abajo y afuera.

Para instalar un nuevo filtro de carbón, retire el plástico y otros envoltorios externos del nuevo filtro.

Inserte la parte superior del filtro arriba y dentro de las ranuras a ambos lados de la parte interior de la abertura superior. Una vez que haya despejado la lengüeta inferior, empuje la parte inferior del filtro hasta que esté correctamente colocado de forma vertical detrás de la lengüeta.

Cierre la tapa del filtro de carbón en el centro de la rejilla, presionando el área donde aparece "Push" (Empujar) nuevamente.



Para Instalar el Filtro de Carbón

CONEXIÓN WIFI

Conecte su Horno con Conexión Habilitada de WiFi (en algunos modelos)

Su horno de Haier Appliances fue diseñado para brindarle una comunicación recíproca entre su electrodoméstico y el dispositivo inteligente. Al usar las funciones de WiFi Connect de Haier Appliances, usted podrá controlar funciones básicas tales como encender y apagar el horno, funciones de conveniencia, tiempo de cocción y temporizadores a través de su teléfono inteligente, tableta o dispositivo de control por voz.

Qué necesitará:

1. Usted deberá conocer la contraseña del enrutador WiFi de su hogar.
2. Descargue la aplicación de cocina de Haier Appliances a su dispositivo inteligente.

3. Siga las instrucciones en pantalla de la aplicación para conectar su horno de Haier Appliances.

Para obtener más instrucciones, visite:
Haierappliances.com/connect



REMOTE ENABLE ON/OFF FEATURE

Remote Enable (Acceso Remoto) es una función que le permite iniciar el horno microondas desde una fuente remota tal como la Aplicación Cafe Appliances Kitchen (Electrodomésticos de Cocina Café) o Voice Commands (Comandos por Voz) desde Amazon Alexa o Google Assistant.

Cuando la función Remote Enable (Control Remoto Activado) se encuentre apagada, usted aún recibirá mensajes desde su horno microondas; podrá optar por apagar el microondas, o podrá usar el temporizador o el reloj desde su dispositivo inteligente.

Cuando la función Remote Enable (Acceso Remoto) esté activada, la puerta del horno microondas deberá estar abierta dentro de los últimos 5 minutos. La finalidad de la restricción de 5 minutos es asegurar que la comida se encuentre en el horno microondas antes de iniciar el ciclo de cocción.

Para encender/ apagar esta función, seleccione el botón Settings (Configuraciones) desde el panel de control y luego presione "9" para seleccionar esta función. Presione "1" para Remote Enable On (Acceso Remoto Activado) y "0" para Remote Enable Off (Acceso Remoto Desactivado).



EQUIPO DE ACCESO REMOTO INSTALADO

Este dispositivo cumple con la Parte 15 de la Normativa de la FCC. Su funcionamiento está sujeto a las dos condiciones siguientes: (1) Este dispositivo no podrá ocasionar interferencias nocivas, y (2) este dispositivo debe aceptar cualquier interferencia recibida, incluyendo interferencias que puedan ocasionar un funcionamiento no deseado.

El equipo de comunicación inalámbrica instalado en este horno fue probado y cumple con los límites establecidos para un dispositivo digital de Clase B, según la parte 15 de la Normativa de la FCC. Estos límites fueron diseñados para:

(a) brindar una protección razonable contra interferencias nocivas en una instalación residencial. Este equipo genera, usa y puede emitir energía de radiofrecuencia y, si no se instala y utiliza de acuerdo con las instrucciones, puede ocasionar interferencias perjudiciales en las comunicaciones de radio. Sin embargo, no se garantiza que no se presenten interferencias en una instalación en particular. Si el equipo provoca interferencias perjudiciales para la recepción de radio o televisión, lo cual puede comprobar encendiendo y apagando el equipo, se aconseja al usuario que intente corregir la interferencia con una de las siguientes medidas:

- Reoriente o reubique la antena receptora.
- Aumente la separación entre el equipo y el receptor.
- Conecte el equipo a un tomacorriente de un circuito diferente del tomacorriente al que se encuentra conectado el receptor.
- Para solicitar ayuda, consulte con el proveedor minorista o a un técnico experimentado de radio/ TV.

(b) tolerar cualquier interferencia recibida, incluyendo las interferencias que puedan provocar un funcionamiento no deseado del dispositivo.

NOTA: Observe que todos los cambios o modificaciones sobre el dispositivo de comunicación inalámbrico instalado en este horno que no estén expresamente aprobados por el fabricante podrían anular la autoridad del usuario para operar el equipamiento.

Exposición a RF: este dispositivo solo está autorizado para su uso en una aplicación móvil. Se deben mantener en todo momento al menos 20 cm de distancia de separación entre el dispositivo de antena transmisora y el cuerpo del usuario

CUIDADO Y LIMPIEZA

Consejos prácticos

Paramantener el interior fresco, pásele un paño con una solución de agua y bicarbonato sódico de cuando en cuando.

Desenchufe el cable de corriente antes de limpiar cualquier parte de este horno.



Cómo limpiar el interior

Paredes, suelo, ventana interior y piezas de metal y plástico de la puerta

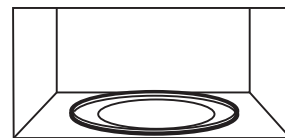
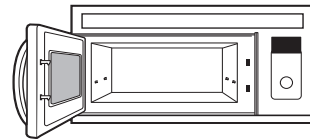
Algunas salpicaduras pueden limpiarse con una toalla de papel; otras pueden necesitar un paño húmedo. Quite las salpicaduras con un paño enjabonado y aclare con un paño húmedo. No use limpiadores abrasivos ni utensilios afilados en las paredes del horno.

Cuando limpie las superficies de la puerta y el horno que entran en contacto al cerrar la puerta, utilice únicamente jabones suaves y no abrasivos o detergentes, aplicándolos con una esponja o un paño suave. Enjuague con un paño húmedo y seque.

Nunca use un limpiador comercial de horno en ninguna parte del microondas.

Plato giratorio desmontable y el apoyo del plato giratorio

Para que no se rompa, no ponga el plato giratorio en agua justo después de cocinar. Límpiela con cuidado en agua tibia con jabón o en el lavaplatos automático. El plato giratorio y el apoyo pueden romperse si se caen. Recuerde, no ponga en marcha el horno sin que el plato giratorio y el apoyo estén encajadas en su lugar..



Cómo limpiar el exterior

No use limpiadores con amoníaco o alcohol, ya que pueden dañar el aspecto del horno microondas.

Caja

Limpie la parte externa del horno de microondas con un paño humedecido con agua jabonosa. Enjuáguela y luego séquela. Pásele un paño humedecido limpio a la ventana para limpiarla.

Panel de control y la puerta

Pásele un paño humedecido para limpiar. Seque completamente. No use esprays limpiadores, grandes cantidades de detergente y agua, abrasivos u objetos filosos sobre el panel, ya que lo podría dañar. Algunas toallas de papel podrían también dañar el panel de control.

Superficie de la puerta

Es importante mantener el área donde la puerta se sella con el horno de microondas limpia. Solamente use detergentes no abrasivos suaves aplicados con una esponja limpia o con un paño suave. Enjuague bien.

Cable de Corriente

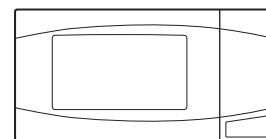
Si el cable se ensucia, desenchufe y lave con una tela húmeda. En caso de manchas difíciles de quitar, se podrá usar agua con

jabón, pero asegúrese de enjuagar con una tela húmeda y de secar completamente antes de conectar el cable en el tomacorriente.

Acero Inoxidable

No use virutas de acero; éstas dañarán la superficie.

Para limpiar la superficie de acero inoxidable, use una tela caliente y húmeda con un detergente suave adecuado para superficies de acero inoxidable. Use una tela limpia, caliente y húmeda para eliminar el jabón. Seque con una tela limpia y seca.



CUIDADO Y LIMPIEZA

Retiro y Limpieza de los Filtros

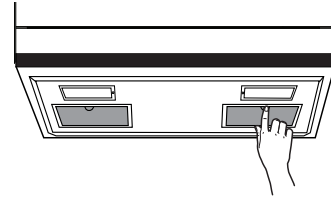
Para retirarlos, deslice los mismos sobre la parte trasera usando las lengüetas. Empuje hacia abajo y afuera.

Para limpiar los filtros de la ventilación, moje los mismos y luego agite en agua caliente y detergente. No use amoníaco ni productos de amoníaco, ya que oscurecerán el metal. Se podrá cepillar suavemente para retirar suciedad incrustada.

Enjuague, sacuda y deje secar antes de realizar el reemplazo.

Para reemplazarlos, deslice los filtros por las ranuras de la estructura en la parte trasera de cada abertura. Presione hacia

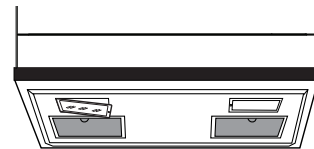
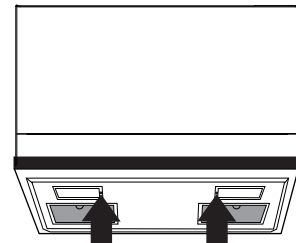
arriba y hacia el frente para que queden bloqueados.



Luces de la Cocina/ Luces Nocturnas

Reemplace por luces LED de CC de 12 voltios y 1.2 watts. Ordene la pieza WB25X33469 a través de su proveedor de productos Café.

1. Para reemplazar las luces de la cocina/ luces nocturnas, primero desconecte la corriente desde el fusible principal o del panel del disyuntor, o desenchufe el cable.
2. Un lado por vez, retire el tornillo del costado de la tapa del compartimiento de la luz y baje la tapa hasta que se detenga.
3. Asegúrese de que la luz LED esté fría antes de retirar la misma. De forma suave, retire el conector del cableado de las luces LED del tablero de las luces LED.
4. Reemplace el mismo por un tablero de luces LED nuevo e inserte el enchufe del cableado, y luego levante la tapa de luces y reemplace el tornillo. Repita estos pasos con la otra luz. Conecte el cable de electricidad del horno.



Cómo reemplazar la luz de la cavidad

1. Desconecte la corriente desde el fusible principal o desde el panel del disyuntor.
2. Presione la puerta de acceso del filtro de carbón en la parte superior para abrir la misma.
3. Retire el filtro de carbón, si se encuentra presente. NOTA: El filtro de carbón es un kit opcional; usted puede no contar con uno.
4. Presione el sujetador sosteniendo el protector de la lámpara en su posición.
5. Empuje el protector de la lámpara hacia afuera. Desenrosque la luz LED hacia afuera y reemplace la misma por un tablero de luces LED nuevo. Ordene la pieza WB25X33469 a través de su proveedor de productos Café.
6. Vuelva a colocar la lámpara y el protector en sus posiciones originales y reemplace el filtro de carbón.
7. Vuelva a conectar la corriente en el horno.

Ventilador

El ventilador cuenta con dos filtros metálicos de ventilación reusables.

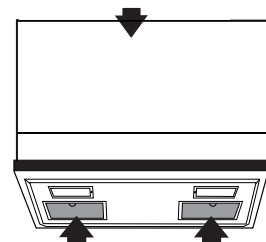
Los modelos que hacen recircular el aire nuevamente hacia la habitación también usan un filtro de carbón.

Filtros de Ventilación Reusables

Los filtros de metal atrapan la grasa liberada por las comidas en la cocina. También evitan que las llamas de las comidas en la cocina dañen el interior del horno.

Por esta razón, los filtros siempre deben estar en el lugar correcto cuando se use la campana. Los filtros de ventilación deberían ser limpiados una vez por mes, o cuando sea necesario.

Filtro de carbón (en algunos modelos)



Filtros de ventilación reusables (en todos los modelos)

CONSEJOS PARA LA SOLUCIÓN DE PROBLEMAS

Cosas que son Normales de su Horno Microondas

- Vapor que sale alrededor de la puerta.
- Reflejo de luz alrededor de la puerta o la cubierta exterior.
- Luz del horno tenue y cambio del sonido del pitido en niveles de potencia que no son altos.
- Ruido de golpes secos mientras el horno está en funcionamiento.
- Se podrán observar interferencias de TV/ radio

mientras usa el horno microondas. De forma similar a la interferencia causada por otros electrodomésticos pequeños, esto no indica que exista un problema con el horno microondas. Enchufe el horno microondas en un circuito eléctrico diferente, aleje la radio o la TV tanto como sea posible del horno microondas, o controle la posición y la señal de la antena de la TV/ radio.

COMISIÓN DE COMUNICACIONES FEDERALES (EE.UU.) DECLARACIÓN DE INTERFERENCIA DE RADIO FRECUENCIA

Este equipo genera y usa energía de frecuencia ISM y si no es instalado y usado de forma adecuada, en cumplimiento estricto con las instrucciones del fabricante, se podrán ocasionar interferencias en la recepción de radio y televisión. Se realizó una evaluación por tipo y se encontró en cumplimiento con los límites de un equipo ISM, de acuerdo con la parte 18 de las Reglas FCC, que fueron diseñadas para brindar una protección razonable contra dichas interferencias en una instalación residencial. Sin embargo, no se garantiza que no se presenten interferencias en una instalación en particular. Si el equipo provoca interferencias en la recepción de radio o televisión, lo que se puede determinar encendiendo y apagando el equipo, se aconseja al usuario que intente corregir la interferencia a través de una o más de las siguientes medidas:

- Reoriente la antena receptora de radio o televisión.
- Reubique el horno microondas con respecto al receptor.
- Coloque el horno microondas alejado del receptor.
- Enchufe el horno microondas en un tomacorriente diferente, de modo que el horno microondas y el receptor estén en diferentes circuitos de empalmes.

El fabricante no es responsable de cualquier interferencia de radio o TV ocasionada por una modificación no autorizada sobre este horno microondas. Es responsabilidad del usuario corregir dicha interferencia.

CONSEJOS PARA LA SOLUCIÓN DE PROBLEMAS

¡Ahorra tiempo y dinero! Revise primero los cuadros en las siguientes páginas y es posible que no necesite programar el servicio. Para obtener más información sobre la resolución de problemas, visítenos en Haierappliances.com/support/microwaves

Problema	Posibles causas	Qué hacer
El horno no se pone en marcha	Un fusible en su casa o el circuito interruptor podrían haberse aterrizado.	Reemplace el fusible o reajuste el circuito interruptor.
	Una subida del voltaje.	Desconecte el horno microondas, luego conéctelo otra vez.
	El enchufe no está insertado totalmente en el tomacorriente de la pared.	Asegúrese de que el enchufe de 3 púas del horno está insertado totalmente en el tomacorriente de la pared.
El panel de control está iluminado; sin embargo, el hornomicroondas no se pone en marcha	La puerta no está bien cerrada.	Abra la puerta y ciérrela bien.
	La puerta no está bien cerrada.	Abra la puerta y ciérrela bien.
	El botón START no fue presionado después de seleccionar la cocción.	Presione START .
	Previamente se había seleccionado otra opción en el horno y no se presionó el botón OFF/CLEAR para cancelarla.	Presione OFF/CLEAR .
	El tiempo de cocción no se ingresó luego de presionar TIME COOK (Cocción por Tiempo).	Asegúrese de haber ingresado el tiempo de cocción luego de presionar TIME COOK (Cocción con Temporizador) .
	Se presionó OFF/CLEAR accidentalmente.	Reinicie el programa de cocción y presione START .
CONTROL LOCKED (Bloqueo del Control) aparece en la pantalla	Peso de la comida no ingresado luego de seleccionar AUTO DEFROST (Descongelación Automática).	Asegúrese de haber ingresado el peso de la comida luego de seleccionar AUTO DEFROST (Descongelación Automática) .
	Tipo de comida no ingresado luego de presionar COOK (Cocinar).	Asegúrese de haber ingresado un tipo de comida.
	El control fue bloqueado.	Mantenga presionado OFF/CLEAR (Apagar/Cancelar) por unos tres segundos para desbloquear el control.
CALIENTE aparece en la pantalla	La temperatura dentro del horno es superior a 200°F.	Esto es normal.
	Una de las teclas de cocción con sensor fue presionada cuando la temperatura dentro del horno era superior a 200°F.	Estas funciones no actuarán cuando el horno esté caliente.

GARANTÍA LIMITADA

Haierappliances.com

Todo el servicio de garantía es provisto por nuestros Centros de Servicio de Fabricación, o un técnico autorizado de Customer Care®. Para programar una visita del servicio técnico a través de Internet, visítenos en **Haierappliances.com/support/schedule-service**, o llame a Haier al 1-877-470-9174. Cuando llame para solicitar el servicio, tenga los números de serie y modelo disponibles.

Para realizar el servicio técnico de su electrodoméstico, se podrá requerir el uso de datos del puerto de abordaje para su diagnóstico. Esto da al técnico del servicio de fábrica de Haier la habilidad de diagnosticar de forma rápida cualquier problema con su electrodoméstico, y de ayudar a Haier a mejorar sus productos al brindarle a Haier la información sobre su electrodoméstico. Si no desea que los datos de su electrodoméstico sean enviados a Haier, solicitamos que le indique a su técnico no entregar los datos a Haier en el momento del servicio.

Por el Período de	Haier reemplazará
Un Año Desde la fecha de la compra original	Haier elegirá reemplazar o realizar el servicio técnico sobre la unidad defectuosa. Si es necesario el servicio técnico, Haier brindará cualquier parte del horno microondas que falle debido a un defecto en los materiales o la fabricación. Durante esta garantía limitada de un año , Haier también proveerá, sin costo, todo el trabajo y los costos del servicio relacionado con el reemplazo de la parte que presente defectos en la unidad.

Qué no cubrirá Haier:

- Viajes de reparación a su hogar para enseñarle cómo usar el producto.
- Instalación o entrega inapropiada, o mantenimiento impropio. Si tiene un problema con la instalación, comuníquese con su vendedor o instalador. Usted es responsable de brindar instalaciones adecuadas de conexión eléctrica, escape u otras instalaciones de conexión.
- Fallos del producto si hay abuso, mal uso (por ejemplo, chispas dentro de horno microondas del estante metálico/papel de aluminio), o uso para otros propósitos que los propuestos, o si se usa con fines comerciales.
- Reemplazo de fusibles de su hogar o reajuste de los diferenciales.
- Daño al producto causado por accidente, fuego, inundaciones o actos de Dios.
- Daños sobre el acabado, tales como óxido sobre la superficie, deslustres o manchas pequeñas no informadas dentro de las 48 horas luego de la entrega.
- Daño incidental o consecuencial a su propiedad causado por posibles defectos con el aparato.
- Causar daños después de la entrega.
- Producto no accesible para brindar el servicio requerido.
- Servicio técnico para reparar o reemplazar las lámparas, excepto las lámparas LED.

EXCLUSIÓN DE GARANTÍAS IMPLÍCITAS

Su única y exclusiva alternativa es la reparación del producto, como se indica en la Garantía Limitada. Las garantías implícitas, incluyendo garantías implícitas de comerciabilidad o conveniencia sobre un propósito particular, se limitan a un año o al período más corto permitido por la ley.

Esta garantía limitada se extiende al comprador original y a cualquier propietario posterior de los productos comprados para uso doméstico dentro de EE. UU. Si el producto está en un área donde no se encuentra disponible un Proveedor Autorizado del Servicio Técnico de Haier, usted será responsable por el costo de un viaje o se podrá requerir que traiga el producto a una ubicación del Servicio Técnico de Haier autorizado para recibir el servicio. En Alaska, la garantía limitada excluye el costo de envío o visitas de servicio a su domicilio. Algunos estados no permiten la exclusión o limitación de daños fortuitos o consecuentes. Esta garantía limitada le otorga derechos legales específicos, y usted también podría tener otros derechos que varían de estado a estado. Para conocer cuáles son sus derechos legales, consulte a la oficina de asuntos del consumidor local o estatal o al Fiscal de su estado.

Garante: GE Appliances, a Haier company

Louisville, KY 40225

Garantías extendidas: adquiera una garantía extendida de Haier y conozca los descuentos especiales que están disponibles mientras su garantía aún está vigente. Puedes compararlo en línea en cualquier momento en

Haierappliances.com/extended-warranty

El servicio de Haier seguirá allí después de que caduque la garantía.