

## 30" Electric Free-Standing Range with Convection

QSS740RNSS



Available  
March 2020

### Unit Specifications

Width	29 7/8"
Depth	29 1/8"
Height	37 3/8"
Weight	236 lbs.
UPC	084691845300

### Warranty

— 1 Year Warranty (Parts and Labor)

### Available Finishes



**Stainless Steel**  
QSS740RNSS



**Black Stainless**  
QSS740BNTS

### Signature Features

#### WiFi Connect

Wherever you are, you've got cooking down. Because now you can control advanced features, such as a no preheat option, pizza mode and snack mode, all from the Haier Appliances App.

#### Quick clean

Good with cooking but not with cleaning? No worries. This Haier range with Quick Clean steam-cleaning technology makes removing baked-on cooking spills fast and easy.

#### Oven cooking modes

Cooking made easy - there's an app for that! This foodie-friendly app helps you select the right cooking mode for your favorite treats, like baked goods, frozen pizza and frozen snacks.

#### 9"/6" adjustable burner

The flexible feature that matches your cooking style. The 9"/6" burner adjusts to the size of your pot for just the right amount of heat.

#### 3,600W burner element with Power Boil

When you want to achieve something great, you need to power through. A 3,600-watt burner with Power Boil provides the intense heat you need, exactly when you need it.

#### Hidden bake

Busy lifestyles don't stop for cooking spills. Hidden bake element sits beneath a smooth surface, making cleaning fast and easy.

#### Backlit color-changing oven knobs

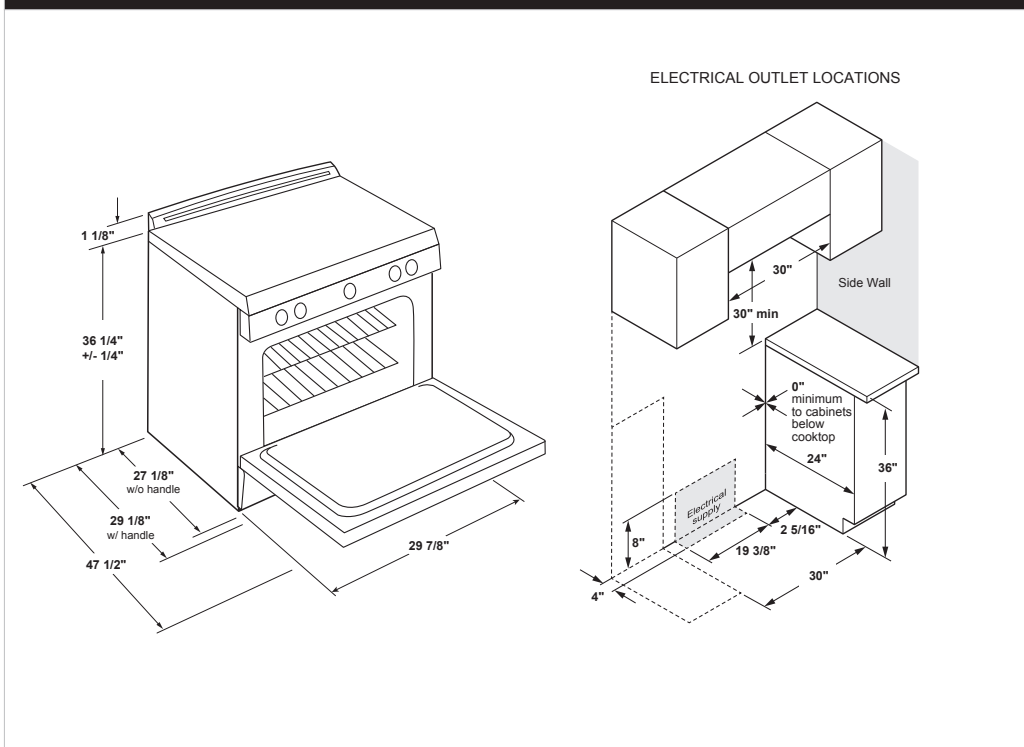
In the city, streetlights show the way. On your oven, backlit color-changing knobs do the same. LED knob lights illuminate to show which cooking mode has been turned on.

#### Fan convection

Smart design elevates your baking. Oven fan continuously circulates heated air for more even baking and roasting results.

Overall Packaging Details		
Packaging		lb./in.
Gross Weight		256 lbs.
Dimensions	<b>W</b>	32.5"
	<b>D</b>	31.5"
	<b>H</b>	44.5"
Power Requirements		
Electrical Rating		208/240V;60Hz

### Product Technical Illustration



### General Appliance Information

Please read all installation details and instructions before use.

### Contact Us

For questions regarding this product please refer to our website at [haierappliances.com](http://haierappliances.com) or call our customer service center at 877-337-3639.