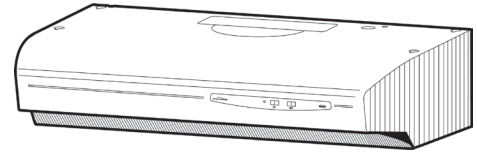


QSE1 SERIES, ALLURE™ ENERGY STAR® RANGE HOOD



Meeting customer demands for a contemporary styled range hood that is 50% quieter than average hoods and ENERGY STAR® qualified.

FEATURES

- Clean, sleek appearance
- Available in 30" width in White, Black, and Stainless Steel
- Easy to use, 2-speed rocker control
- Two level light control for bright task light or nighttime illumination
- Single 42W, GX24Q4 fluorescent lamp with 4W, C-7 night light
- Flush-mounted controls
- Durable, baked-on polyester finish paint or brushed finish stainless steel
- Over 50% quieter than the average range hood
- Large, full filter design - dishwasher-safe for easy cleaning
- Axial blade provides increased performance and quieter operation.
- Versatile design allows for 3¼" x 10" or 7" round discharges without re-positioning blower
- Adjustable duct connectors - accommodate off-center ductwork
- Tri-lingual carton graphics and bi-lingual installation manual
- For indoor use only

SPECIFICATIONS

VOLTS	AMPS	HZ	CFM		SONES		DUCT
			MAX.	NORM.	MAX.	NORM.	
120	1.8	60	210	110	5.0	1.5	3¼" x 10" (Horiz.)
			210	130	5.5	2.0	3¼" x 10" (Vert.)
			220	140	5.5	2.0	7" Round (Vert.)

TYPICAL SPECIFICATION

Range hood shall be Broan QSE1 Series.

Unit will have clean, contoured appearance with no sharp edges. Finish to be baked-on polyester paint (matte finish stainless steel). It must have a fully-enclosed bottom and dishwasher-safe, full filters.

Hood to be convertible between 3¼" x 10" and 7" round ducted (using two washable aluminum filters). Duct connectors must be adjustable to accommodate off-center ductwork.

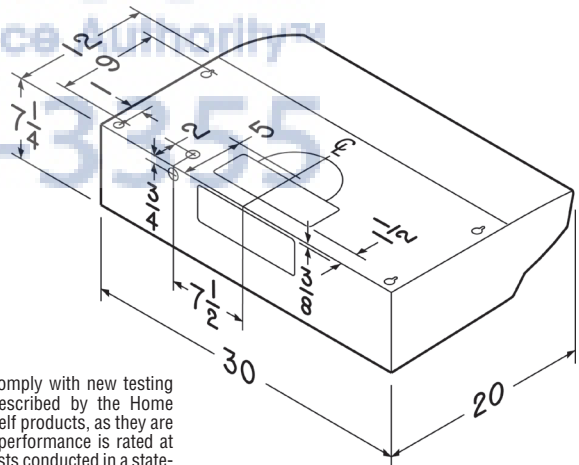
Range hood to have an axial blade. Blower and lights shall be operated using a specially-designed, adjustable control with 2-speed rocker. Lamps to be (1) 42W fluorescent and (1) 4W night light.

Air delivery shall be no less than 210 cfm when ducted horizontally. Sound level to be no greater than 1.5 Sones/110 cfm - 5.0 Sones/210 cfm.

Air and sound ratings to be certified by HVI.

Unit shall be U.L. and cU.L. listed.

Unit to be ENERGY STAR® certified.



HVI-2100 CERTIFIED RATINGS comply with new testing technologies and procedures prescribed by the Home Ventilating Institute, for off-the-shelf products, as they are available to consumers. Product performance is rated at 0.1 in. static pressure, based on tests conducted in a state-of-the-art test laboratory. Sones are a measure of humanly-perceived loudness, based on laboratory measurements.

Broan-NuTone LLC Hartford, Wisconsin www.broan.com 800-558-1711
Broan-NuTone Canada Mississauga, Ontario www.broan.ca 877-896-1119

REFERENCE	QTY.	REMARKS	Project
			Location
			Architect
			Engineer
			Contractor
			Submitted by Date