



**Model 315W  
Undercounter Wine Storage**

Better wine storage conditions for the bottle ultimately means better enjoyment in the glass. Model 315W is a built-in single-zone Wine Storage unit with a capacity of 26 (750 ml) bottles. At 15" wide, this undercounter unit is perfect for those installations where space is an issue. Model 315W is available in the overlay and classic stainless steel design applications.



*Model 315W/S shown with classic stainless steel finish.*

**Features**

- Overlay and stainless steel design applications
- Full-view high altitude glass door with UV protection
- Single temperature zone
- Sturdy, rustproof wire shelves accommodate standard 750 ml bottles, half-bottles, as well as magnums
- Roller-glide shelves faced with natural cherry wood have a three-quarter extension for easy access
- Six standard shelves with 24 (750 ml) bottle capacity
- Fixed bottle holder with 2 (750 ml) bottle capacity
- Discreet low voltage interior lighting

**Model Options**

Model Options	315W/O	315W/S
Design/Finish	Overlay	Classic

**Accessories**

- Stainless steel (classic, platinum and carbon) tubular handles for overlay design
- Polished chrome handle for overlay design
- Filler strip to accommodate 18" wide opening

*Accessories are available through your Sub-Zero dealer. To obtain local dealer information, visit the Showroom Locator section of our website, [subzero.com](http://subzero.com).*

**Enemies of Wine**

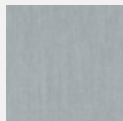
**Heat** – Sub-Zero maintains wines' preferred habitat—cool and consistent—with a range of 45°F to 65°F.

**Light** – UV resistant bronze tinted glass shields wines from harmful rays.

**Humidity** – Evaporator maintains steady, moderate humidity.

**Vibration** – Sub-Zero's quiet compressor lets wines rest undisturbed. Shelves glide out smoothly, providing access without agitating the wine.

*For additional information on the Enemies of Wine, visit [www.subzerowine.com](http://www.subzerowine.com).*

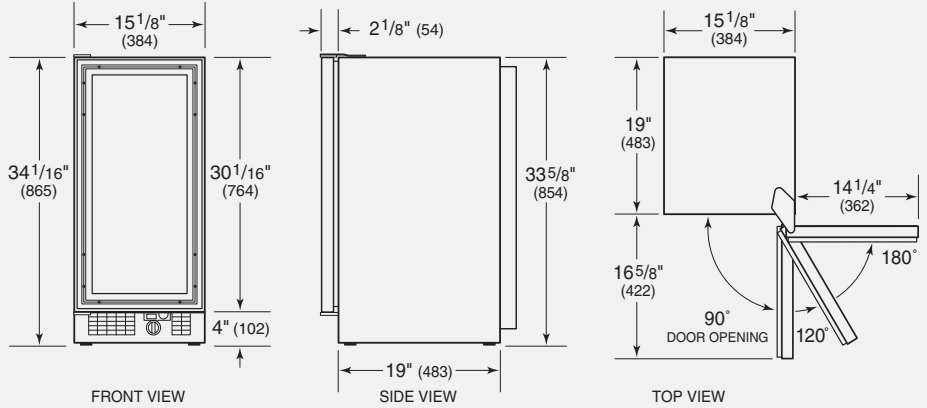


Classic



**Model 315W  
Undercounter Wine Storage**

**Overall Dimensions**



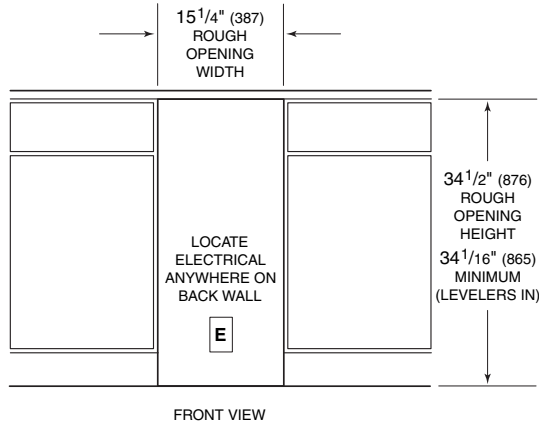
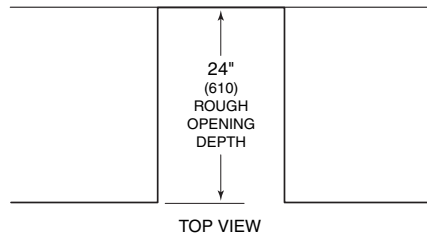
Unit dimensions may vary by ±1/8".

**Specifications**

Overall Width	15 1/8"
Overall Height	34 1/16"
Overall Depth	24"
Door Clearance	16 5/8"
Wine Storage Capacity	26 bottles*
Opening Width	15 1/4"
Opening Height	34 1/2"
Opening Depth	24"
Electrical Requirements	115 V AC, 60 Hz 15 amp dedicated circuit
Shipping Weight	Overlay – 114 lbs Stainless Steel – 118 lbs

\*750 ml bottles.

**Installation Specifications**



**Installation Notes**

For overlay models, you will be adding a door panel for a custom look. Overlay models also allow you to match surrounding cabinetry hardware.

Complete installation specifications, including panel sizes, can be found on our website, [subzero.com](http://subzero.com).

Dimensions in parentheses are in millimeters unless otherwise specified.