

ROHL

Authentic Luxury for Kitchen and Bath®

www.rohlhome.com



Wall Mounted Swing Arm Pot Filler

Modern Kitchen

QL66XL* (Cross handle at wall, lever handle at outlet)

QL66X* (Cross handles at wall and at outlet)

QL66L* (Lever handles at wall and at outlet)

FEATURES

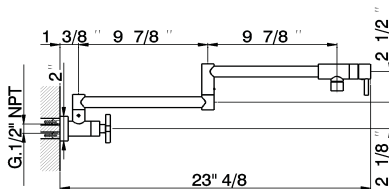
- Ceramic disc cartridges
- Shut off spout prevents dripping
- Folds away when not in use
- Extends for easy use over front or rear burners
- 1/2" female NPT connection
- Dual quarter turn handle shut-offs, one at the wall and one at the outlet. Eliminates need to reach over hot burners.
- Max. 2.5 GPM @ 60 PSI

FINISHES

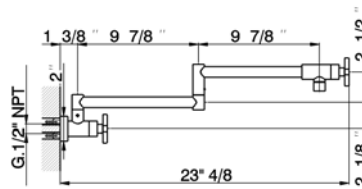
- Polished Chrome
- Polished Nickel
- Satin Nickel

WARRANTY

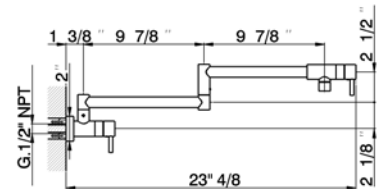
- Limited Lifetime



QL66XL



QL66X

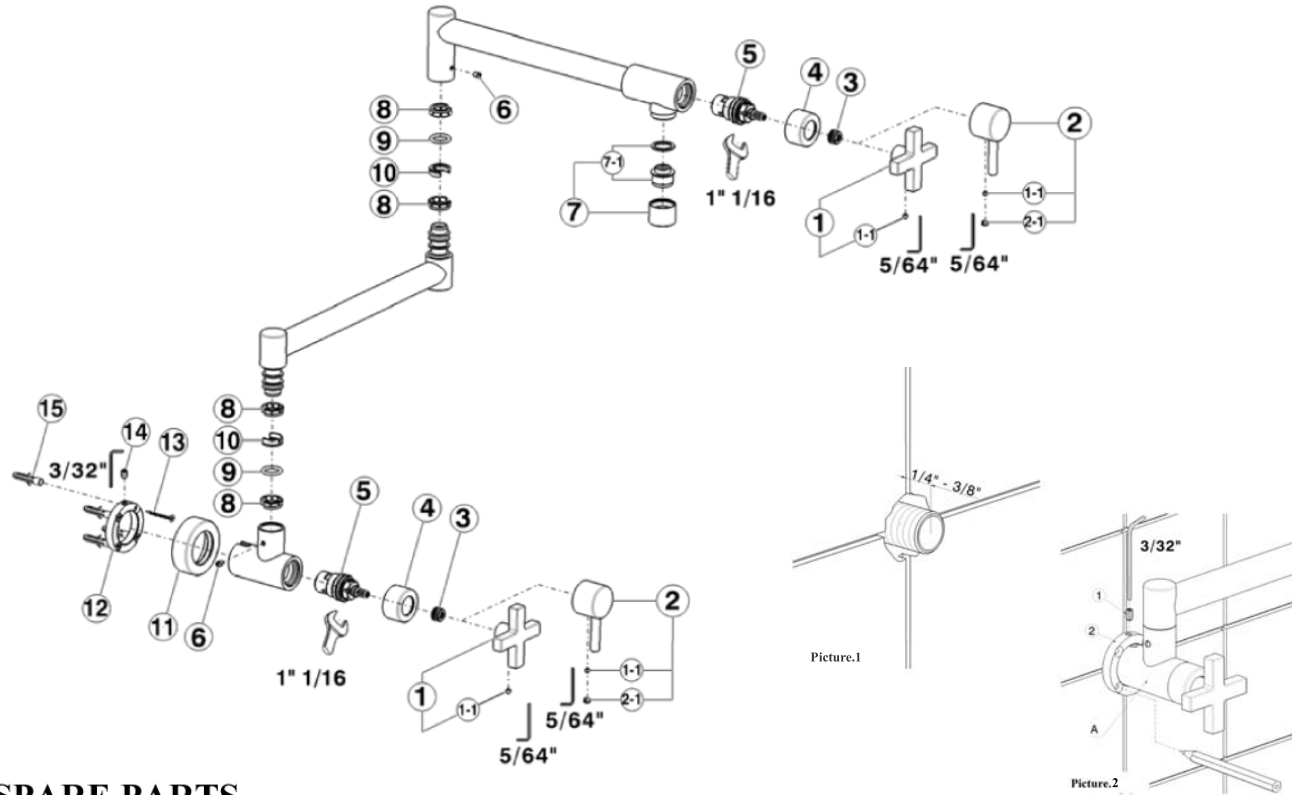


QL66L

* For CA/VT, place a "-2" at end of model number for code compliant product. (Example A3608LMAPC-2)

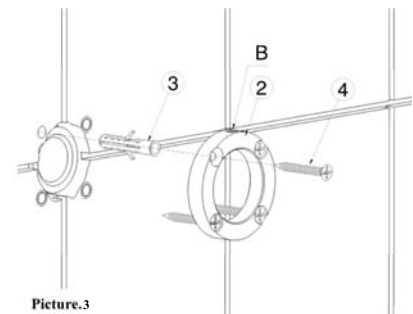
Consult your local ROHL showroom for additional information and specifications. For complete warranty details and a list of showrooms, go to www.rohlhome.com.

QL66 Spare Parts



SPARE PARTS

POS.	DESCRIPTION	CODE
1	Cross Handle	ZZ 94599 0
1-1	Screw stainless steel M.4x4	ZZ 93328 0
2	Lever Handle	ZZ 94920 0
2-1	Cap for handle	ZZ 93371 0
3	Complete broached reduction piece	ZZ 93330 0
4	Escutcheon	ZZ 93327 0
5	Ceramic headvalve ½" right 90°	ZZ 92907 0
6	Screw M.4x4.5	ZZ 94101 0
7	Overfill with M.22x1 Cascade 7,6l/min	ZZ 94361 0
7-1	Aerator cartridge M.22x1 Cascade 7,6l/min	ZZ 93393 0
8	Ring for spout	ZZ 94102 0
9	O-Ring 11 N.B.R. 75 SH	ZZ 92690 0
10	Washer for covering tube	ZZ 94103 0
11	Escutcheon	ZZ 94921 0
12	Fixing ring	ZZ 94922 0
13	Screw stainless steel 3,5x32	ZZ 94923 0
14	Screw M.5x8	ZZ 94924 0
15	Dowel for fixing	ZZ 92691 0



QL66 Spare Parts

WARRANTY

Cisal Bath Collection has a limited lifetime warranty.

“Warranty Exclusion: This warranty is for normal domestic use only and excludes defect or injury caused by or resulting from misuse, abuse, neglect, accidental damage or improper installation”.

There is no warranty on the finish Tuscan Brass.

FINISH CARE

1. WIPE DOWN AFTER USE TO AVOID SPOTTING
2. USE A SOFT BRUSH FOR DETAIL CLEANING
3. DO NOT USE SPRAY CLEANERS WITH AMMONIA, ALCOHOL OR BLEACH
4. DO NOT USE ABRASIVES LIKE COMET, AJAX OR BONAMI

FINISH	CLEANING	CARE
POLISHED CHROME	50-50 VINEGAR AND WATER	FLITZ WAX OR GAGNON'S SX, SIMICHROME
INCA BRASS	50-50 VINEGAR AND WATER	DO NOT USE FLITZ – GAGNON'S SX OK
POLISHED NICKEL	50-50 VINEGAR AND WATER	FLITZ WAX OR GAGNON'S SX, SIMICHROME
SATIN NICKEL	50-50 VINEGAR AND WATER	FLITZ WAX OR GAGNON'S SX
TUSCAN BRASS	PAT DRY AFTER USE	FLITZ WAX. DO NOT RUB OR WIPE.

FOR WATER SPOTTING ON POLISHED CHROME, POLISHED NICKEL OR SATIN NICKEL, USE SIMICHROME PASTE.

FLOW RATE	
PRESSURE	FLOW
7.25 psi	0.92 gpm
14.50 psi	1.26 gpm
29.00 psi	1.76 gpm
43.50 psi	1.82 gpm
58.00 psi	1.92 gpm
72.50 psi	1.92 gpm

TECHNICAL DATA

- Minimum dynamic pressure7.25 psi
- Maximum operational pressure (static).....145 psi
- Recommended operational pressure (static)..14.5-72.5 psi
(N.B.: for pressures higher than 72.5 psi we suggest the installation of a pressure reducer)
- Maximum test pressure (static).....232 psi
- Flow rate.....max. 2.5 gpm @ 60 psi