

PureLine  
60cm Speed Oven

H 6800 BM



# PureLine 60cm Speed Oven H 6800 BM



## H 6800 BM

### Features:

- M Touch innovative and revolutionary controls are both easy to operate and navigate. An intuitive swipe of the screen will quickly lead you to your desired selection
- 19 operating modes
- Rapid Preheat
- Roast probe for perfect roasting results
- MasterChef menu offers over 100 food types to cook to perfection
- Favorites - up to 20 recipes
- 1,000 watt microwave
- Popcorn button
- Minute Plus button - time and power individually programmable
- PerfectClean interior
- Timer
- Sabbath Program
- The simple yet sleek Silhouette handle seems to float enhancing its modern design lines

# PureLine 60cm Speed Oven H 6800 BM



**Comfort Handle:**  
Optional with ContourLine  
(DS 6708 Item #09828380)

**ComfortSwivel Handle:**  
Standard with ContourLine  
Optional for PureLine  
(DS 6718 Item # 09828390)

**Silhouette Handle:**  
Standard with Pureline  
Optional for Contourline  
(DS 6808 Item # 09828400)

**Silhouette Handle (Chrome):**  
Standard with BrilliantWhite  
(DS 6808 Item # 09828410)

**Silhouette Handle:**  
Standard with Truffle Brown  
(DS 6808 Item # 09870690)

# PureLine 60cm Speed Oven H 6800 BM



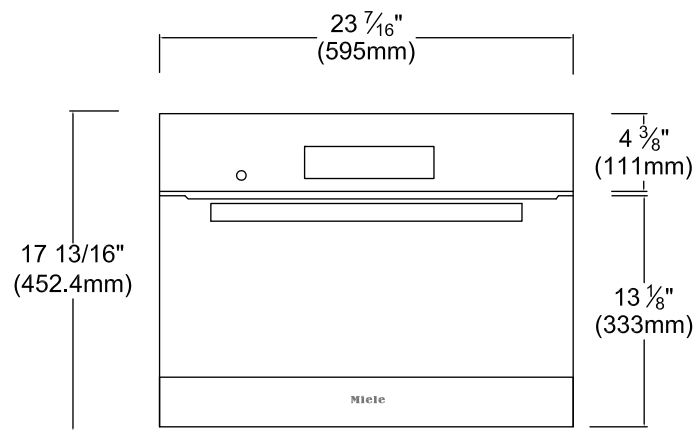
| SPECIFICATIONS                                  |  |
|---|--|
| <b>H 6800 BM – Item 22680054USA</b>             |  |
| Overall Unit Width - Excluding Fascia Dimension | 22 <sup>1</sup> / <sub>16</sub> " (560mm)  |
| Overall Height - Excluding Fascia Dimension     | 17 <sup>1</sup> / <sub>2</sub> " (445mm)   |
| Overall Unit Depth - Excluding Fascia Dimension | 21 <sup>9</sup> / <sub>16</sub> " (549mm)  |
| Oven Door Clearance                             | 34 <sup>13</sup> / <sub>16</sub> " (885mm)   |
| Overall Oven Interior Capacity                  | 1.31 cu.ft - 37.0 liters   |
| Overall Fascia Dimensions                       | 23 <sup>7</sup> / <sub>16</sub> " (595mm) W x 17 <sup>15</sup> / <sub>16</sub> " (455.5mm) H<br>x 7 <sup>7</sup> / <sub>8</sub> " (22mm) D |
| Oven Interior Dimensions                        | 18 <sup>1</sup> / <sub>8</sub> " (460mm) W x 8" (202mm) H<br>x 15 <sup>5</sup> / <sub>8</sub> " (390mm) D                                  |
| Built-In  |  |
| Cabinet Width                                   | 22 <sup>1</sup> / <sub>16</sub> " – 22 <sup>3</sup> / <sub>8</sub> " (561mm – 568mm)   |
| Minimum Cabinet Depth                           | min. 21 <sup>7</sup> / <sub>8</sub> " (550mm)  |
| Minimum Cabinet Opening Height                  | 17 <sup>3</sup> / <sub>4</sub> " – 17 <sup>13</sup> / <sub>16</sub> " (448 – 452mm)  |
| Minimum Base Support                            | 125 lbs  |
| Additional Cut-outs Required                    | No   |
| Electrical                                      |  |
| Electrical Requirements                         | 240/208V AC, 60Hz, 20A circuit with Nema 14-30 outlet  |
| Power Cord                                      | Molded NEMA 14-30 configured plug  |
| Cut out for power cord                          | Minimum 3" square  |
| Electrical Rating                               | 2.2kW (240V), 1.76kW (208V)  |
| Total Amps                                      | 9.16A on 240V, 8.46A on 208V   |
| Shipping  |  |
| Shipping Weight                                 | 126 lbs  |
| Shipping Dimensions                             | 25 <sup>5</sup> / <sub>8</sub> " W (727mm) x 24 <sup>13</sup> / <sub>16</sub> " (630mm) H<br>x 27" (686mm) L                               |
| Support   |  |
| Call  | 800.843.7231   |
| 20/20   | ©2020technologies.com  |

# PureLine 60cm Speed Oven H 6800 BM

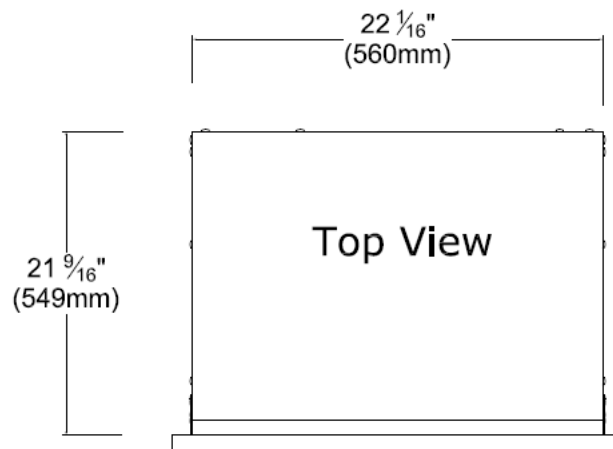


## PRODUCT VIEWS

Fascia

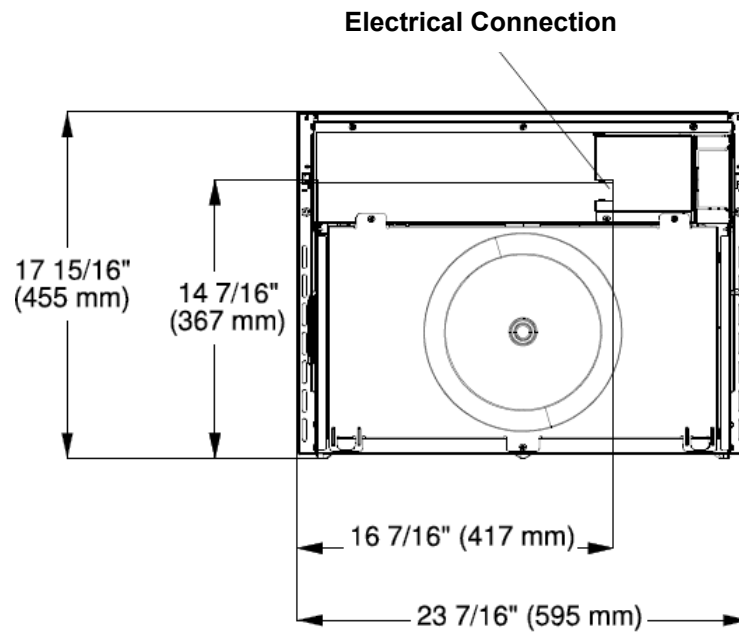


Top View

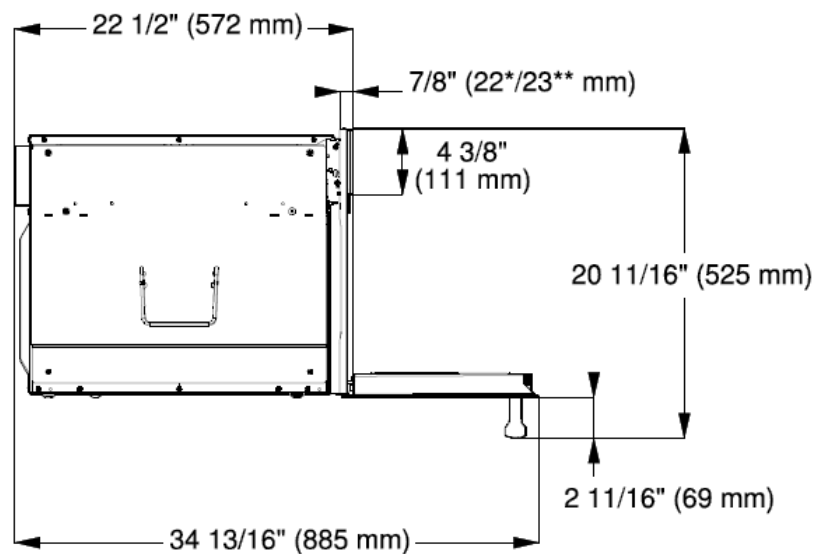


PRODUCT VIEWS

Rear View



Side View



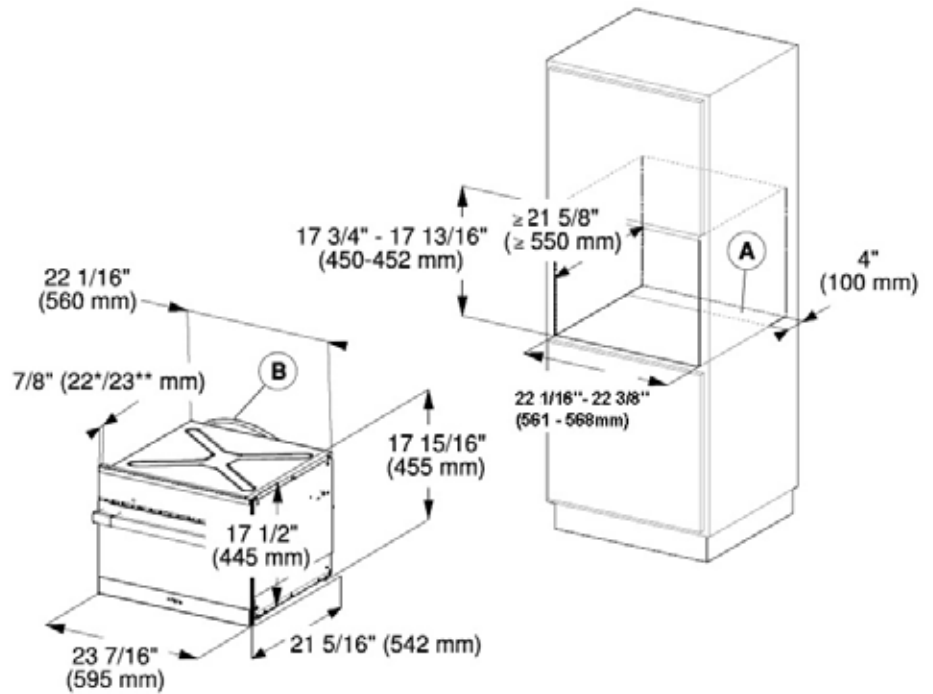
\* Oven with glass front  
\*\* Oven with metal front

# PureLine 60cm Speed Oven H 6800 BM



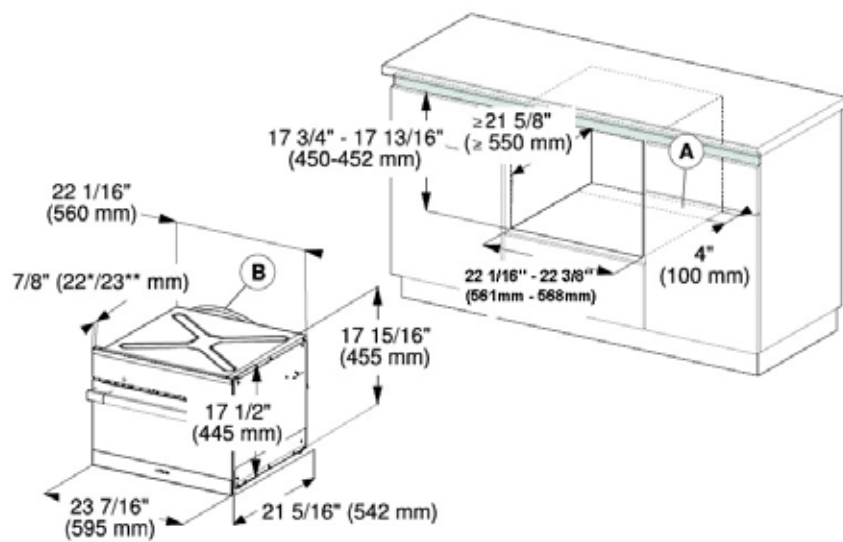
## INSTALLATION SPECIFICATIONS

Install in Tall Cabinet



\* Oven with glass front  
\*\* Oven with metal front

Undercounter Installation



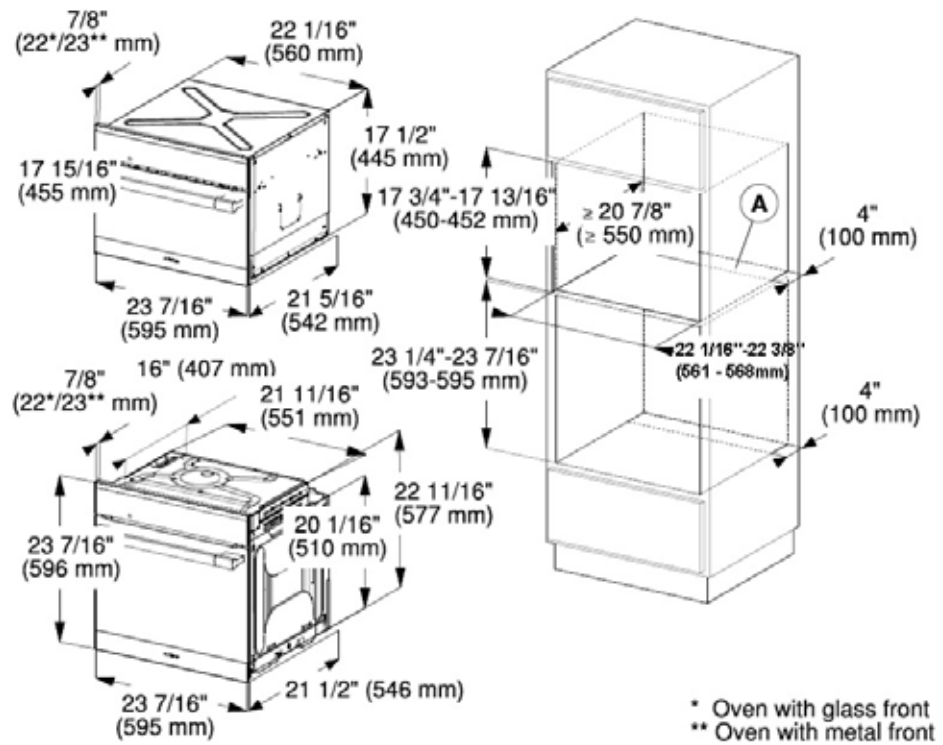
\* Oven with glass front  
\*\* Oven with metal front

# PureLine 60cm Speed Oven H 6800 BM



## INSTALLATION SPECIFICATIONS

Over 60cm Installation

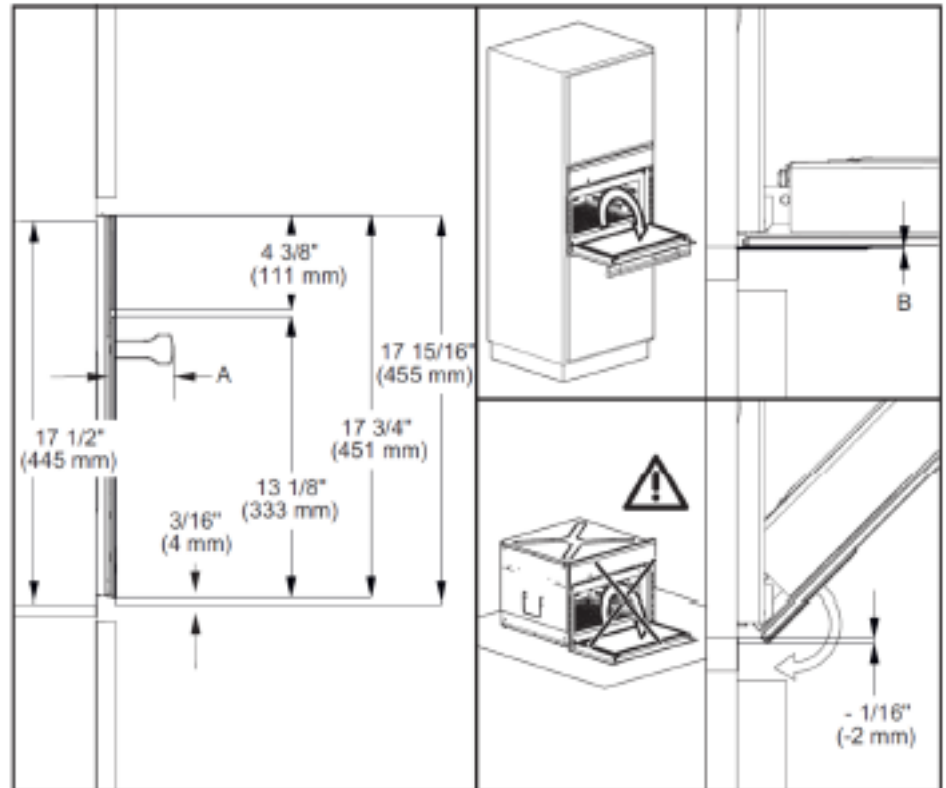




INSTALLATION SPECIFICATIONS

Door Swing

Front dimensions



A H67xx: 2 3/4" (69 mm)

H68xx: 1 5/8" (42 mm)

B Speed Oven with glass front: 1/16" (2.2 mm)

Speed Oven with metal front: 1/16" (1.2 mm)