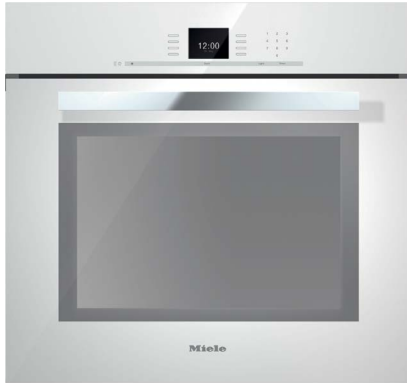


PureLine Brilliant White  
30" Convection Oven

H 6680 BP BRWS



# PureLine 30" Convection Oven H 6680 BP BRWS



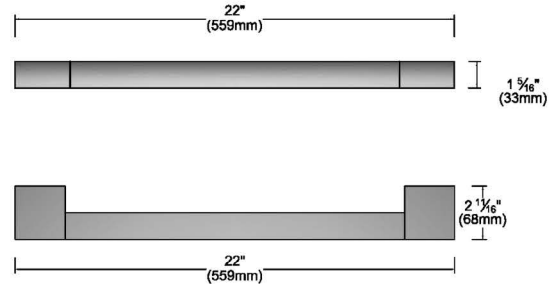
## H 6680 BP BRWS

### Features:

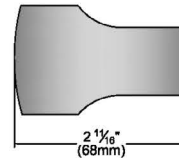
- SensorTronic controls: 5-line TFT display with laterally positioned sensor controls that clearly present menu content
- Self Clean Oven
- 18 Operating Modes
- Rapid PreHeat
- MasterChef menu offers over 100 food types to cook to perfection
- Roast Probe for perfect roasting results
- Favorites – up to 20 recipes
- Sabbath Program
- CleanGlass Door
- Timer
- TwinPower Fans provide optimum and even distribution of hot air
- Soft Open and Soft Close for an easier handling
- The simple yet sleek Silhouette chrome handle seems to float enhancing its modern design lines

**Comfort Handle:**  
Standard with ContourLine

(DS 6708 Item #09828380)



Comfort Handle  
standard on  
H 6180 BP

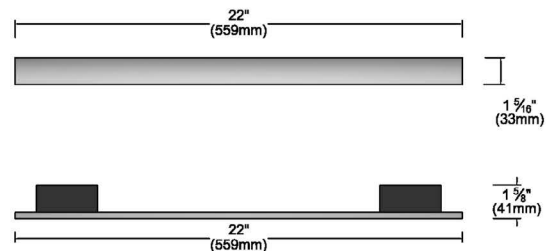


**ComfortSwivel Handle:**  
Optional for ContourLine  
Optional for PureLine

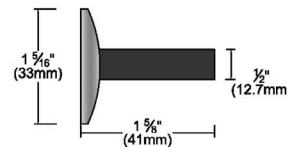
(DS 6718 Item # 09828390)

ComfortSwivel Handle  
standard on  
H 6580 BP

**Silhouette Handle:**  
Standard with Pureline  
Optional for Contourline  
(DS 6808 Item # 09828400)



Silhouette Handle  
standard on  
H 6280 BP and  
H 6680 BP



**Silhouette Handle (Chrome):**  
Standard with BrilliantWhite  
(DS 6808 Item # 09828410)

**Silhouette Handle:**  
Standard with Truffle Brown  
(DS 6808 Item # 09870690)

# PureLine 30" Convection Oven H 6680 BP BRWS



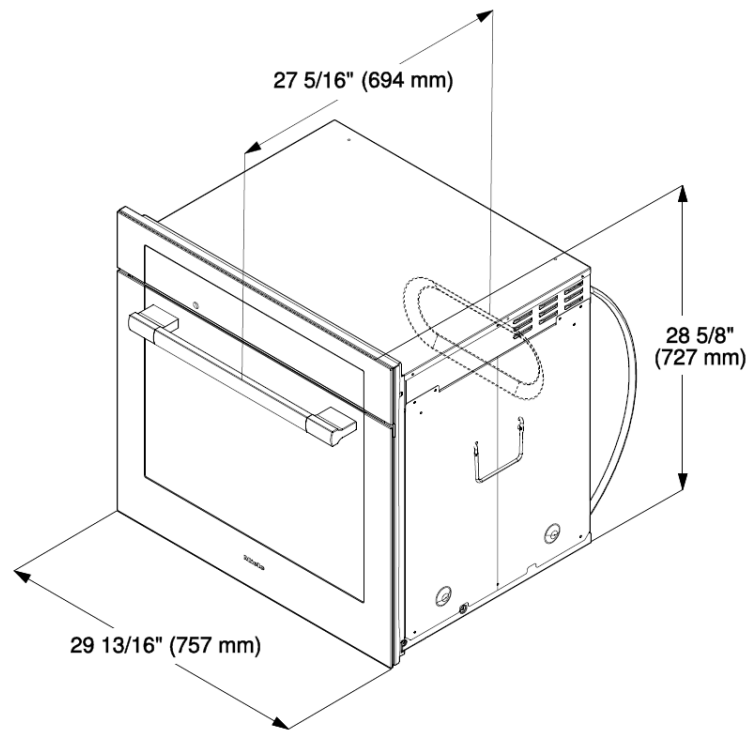
| SPECIFICATIONS                                  |  |
|---|--|
| <b>H 6680 BP BRWS – Item 22668013USA</b>        |  |
| Overall Unit Width - Excluding Fascia Dimension | 28 <sup>7</sup> / <sub>16</sub> " (722mm)  |
| Overall Height - Excluding Fascia Dimension     | 27 <sup>3</sup> / <sub>4</sub> " (705mm)   |
| Overall Unit Depth - Excluding Fascia Dimension | 23 <sup>3</sup> / <sub>4</sub> " (603mm)   |
| Oven Door Clearance                             | 23" (584mm)  |
| Overall Fascia Dimensions                       | 29 <sup>13</sup> / <sub>16</sub> " (757mm) W x 28 <sup>5</sup> / <sub>8</sub> " (727mm) H<br>x 7 <sup>7</sup> / <sub>8</sub> " (23mm) D  |
| Built-In  |  |
| Minimum Cabinet Width                           | 28 <sup>1</sup> / <sub>2</sub> " (724mm)   |
| Minimum Cabinet Depth                           | 24" (610mm)  |
| Minimum Cabinet Opening Height                  | 28 <sup>1</sup> / <sub>4</sub> " (718mm)   |
| Minimum Base Support                            | 193 lbs  |
| Additional Cut-outs Required                    | Venting cut-out required at base of cabinet<br>(4" x 28" / 100mm x 720mm) in the bottom<br>of the cabinet for power cord and ventilation |
| Electrical                                      |  |
| Electrical Requirements                         | 208/240V 30A 60Hz circuit  |
| Power Cord                                      | Yes - NEMA 14-30 plug  |
| Electrical Rating                               | 120/208V, 30A, 60Hz 5800w /<br>120/240V, 30A, 60Hz 4400w   |
| Total Amps                                      | 240V / 24.166A / 208V / 21.15A   |
| Shipping  |  |
| Shipping Weight                                 | 216 lbs  |
| Shipping Dimensions                             | 32 <sup>11</sup> / <sub>16</sub> " W x 35 <sup>1</sup> / <sub>16</sub> " H x 30 <sup>5</sup> / <sub>16</sub> " L                         |
| Support   |  |
| Call  | 800.843.7231   |
| 20/20   | ©2020technologies.com  |

# PureLine 30" Convection Oven H 6680 BP BRWS

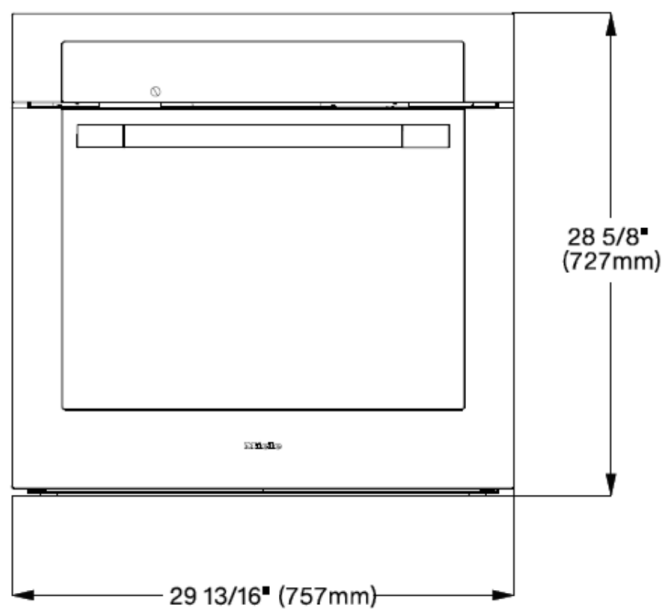


## PRODUCT VIEWS

Isometric



Front

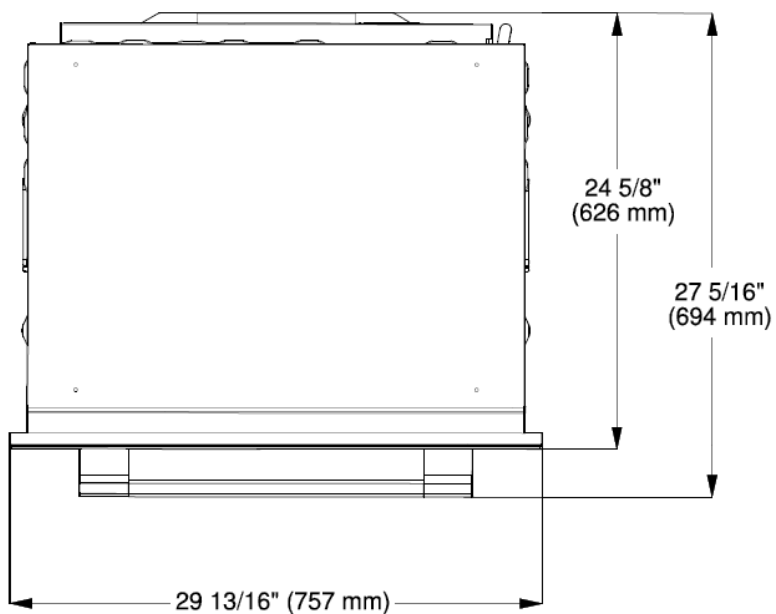


# PureLine 30" Convection Oven H 6680 BP BRWS

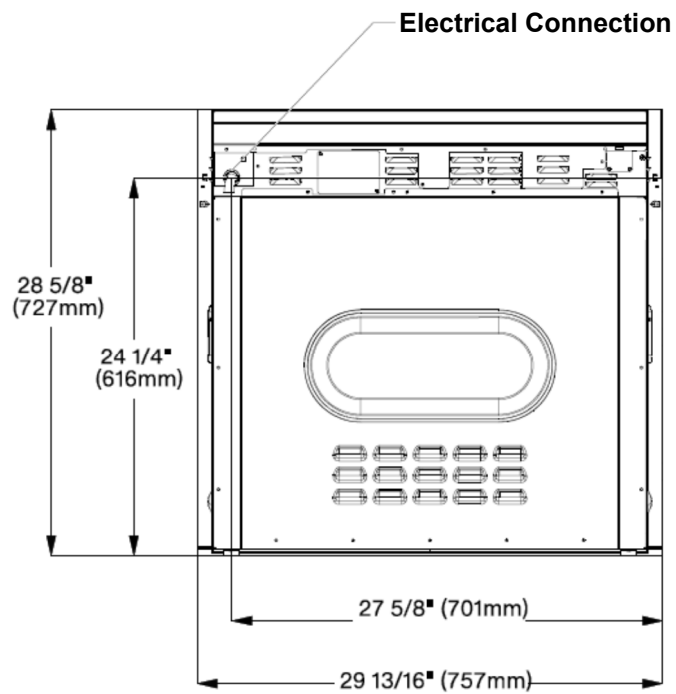


## PRODUCT VIEWS

Top View



Rear View

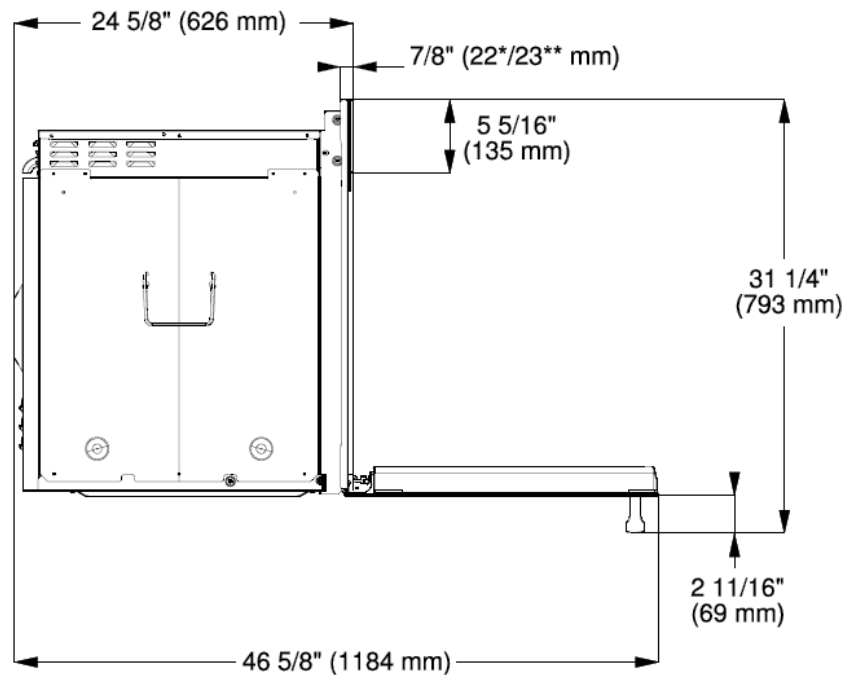


# PureLine 30" Convection Oven H 6680 BP BRWS



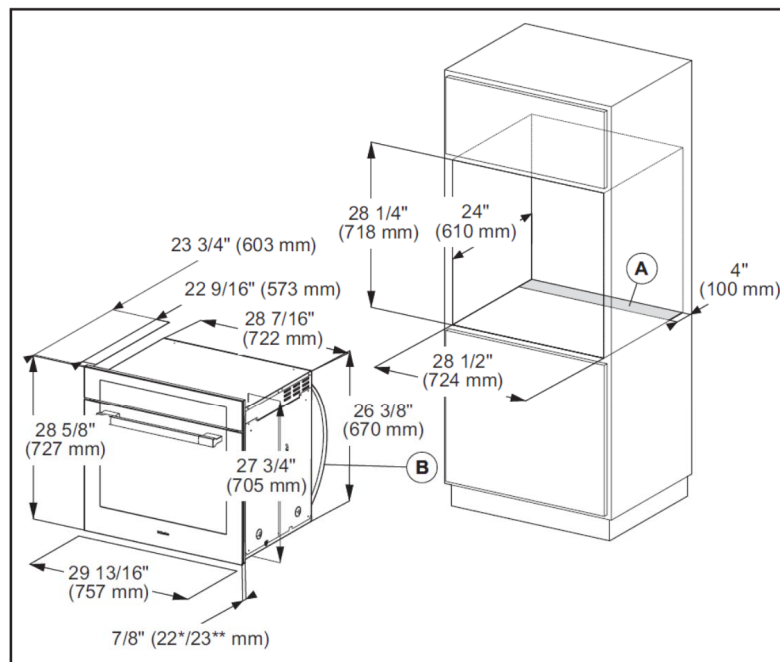
## PRODUCT VIEWS

Side View



## INSTALLATION SPECIFICATIONS

Install in Tall Cabinet



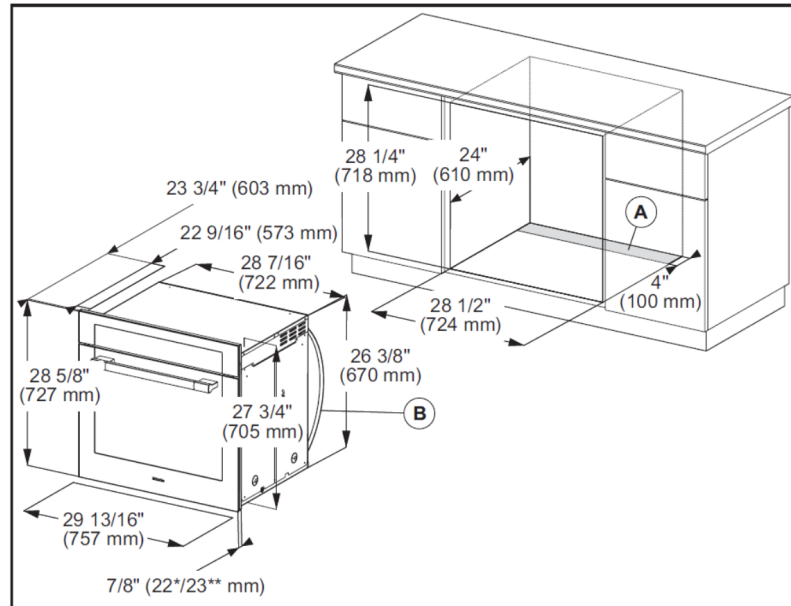
- Ⓐ Cut-out (4" x 28" / 100 mm x 720 mm) in the bottom of the cabinet for power cord and ventilation
- Ⓑ Power cord with plug
- \* Oven with glass front
- \*\* Oven with metal front

# PureLine 30" Convection Oven H 6680 BP BRWS



## INSTALLATION SPECIFICATIONS

### Undercounter Installation



Ⓐ Cut-out (4" x 28" / 100 mm x 720 mm) in the bottom of the cabinet for power cord and ventilation

Ⓑ Power cord with plug

\* Oven with glass front

\*\* Oven with metal front