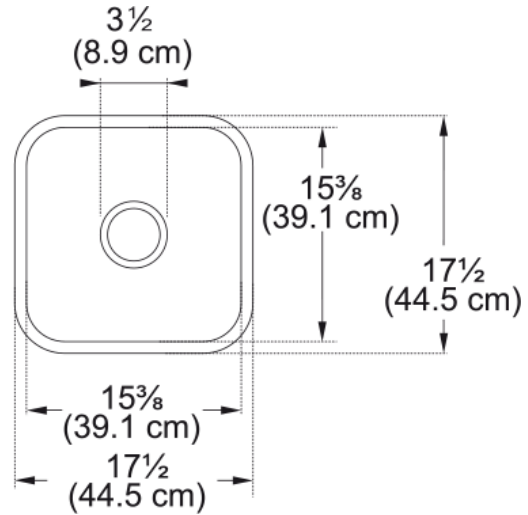


Cisterna Fireclay Sink - CCK110-15WH | 126.0066.141



Technical Data

Aspect

Sink type	Sink
Type of material	Fireclay
Number of bowls	1
Color	White
Surface finish	Glossy

Product Dimensions

Exterior size: right to left	17.52
Exterior size: front to back	17.52
Large bowl size: right to left	15.315
Large bowl size: front to back	15.315
Large bowl: depth	7.874

Installation

Minimum cabinet size	21"
----------------------	-----

Product specifications

Installation type	Undermount
Drain hole	3 1/2"
Position of drainer	No drainer

Product identification

Product brand	FRANKE
Product family	None
Collection	Cisterna
Certified by	IAPMO

Features

Drainers number	No drainer
Product reversibility	Yes
Faucet ledge	No
Strainer assembly included	No

Strainer assembly type	No waste kit
Overflow	No
Number of faucet holes	No faucet hole
Soap dispenser hole	No