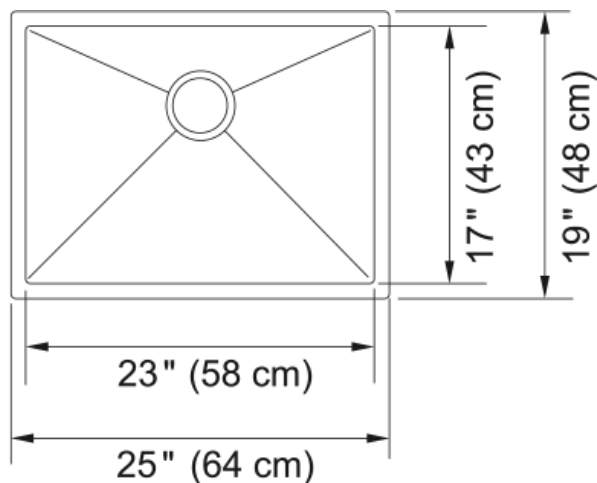


# Outdoor Undermount Sink-ODX110-2312-316 | 122.0274.294



## Technical Data

### Aspect

Sink type	Sink
Type of material	Stainless steel
Number of bowls	1
Color	Steel
Surface finish	Silk

### Product Dimensions

Exterior size: right to left	25
Exterior size: front to back	19
Large bowl size: right to left	23
Large bowl size: front to back	17
Large bowl: depth	12

### Installation

Minimum cabinet size	30"
----------------------	-----

### Product specifications

Installation type	Undermount
Drain hole	3 1/2"
Position of drainer	No drainer

### Product identification

Product brand	FRANKE
Product family	None
Collection	Professional Series
Certified by	CUPC

### Features

Drainers number	No drainer
Product reversibility	No
Faucet ledge	No
Strainer assembly included	Yes

Strainer assembly type	Manual
Overflow	No
Number of faucet holes	No faucet hole
Soap dispenser hole	No