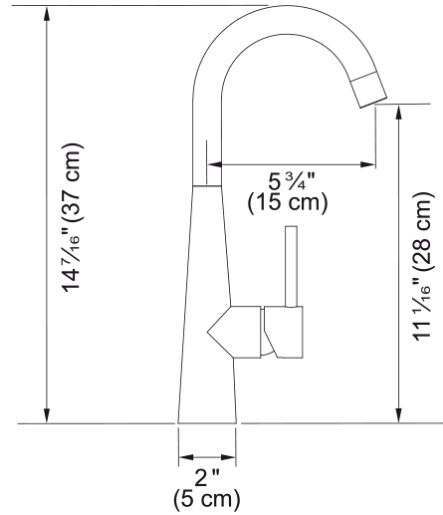


# Steel Bar Faucet - STL-BR-304 | 115.0355.505



## Technical Data

### Aspect

Spout type	J - spout
Color	Stainless steel
Type of material	Stainless steel 304

### Product Dimensions

Faucet hole diameter	35 mm
Cartridge dimension	35 mm

### Installation

Mounting type	Shank
Water supply hose connection	1/2"
Water supply hose length	800 mm

### Product specifications

Pressure	High pressure
Faucet type	Swivel
Faucet operation	Side lever
Faucet rotation	360°

### Product identification

Product brand	FRANKE
Product family	Mythos
Collection	Steel

### Features

Water saving feature	No
Type of aerator	Honeycomb