

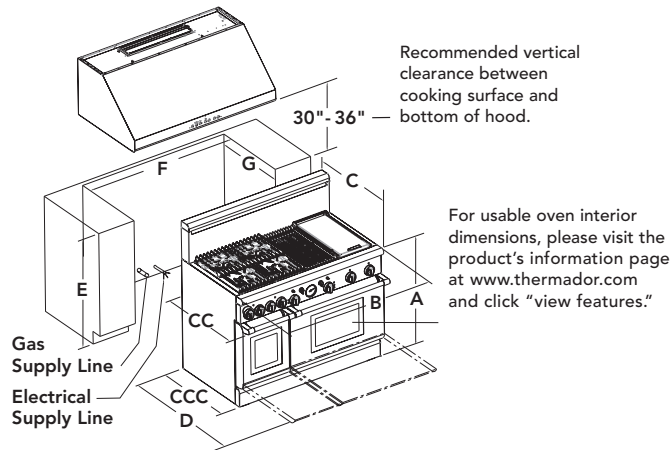
PLANNING GUIDE

PROFESSIONAL SERIES
RANGES & COOKTOPS

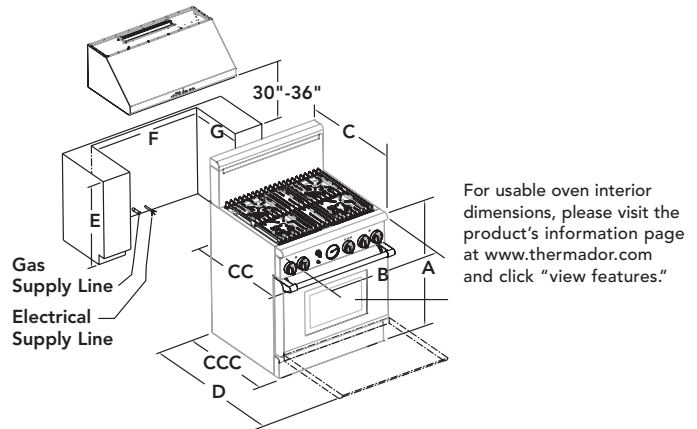
PROFESSIONAL SERIES PRO GRAND™ RANGES

Dual-Fuel & All-Gas

Professional Pro Grand Dual-Fuel Range with Cutout



Professional Pro Grand All-Gas Self-Cleaning Range with Cutout



Model No.	BTU/hr ^{††} Max.	Ovens Kw. Max.	Overall Dimensions						Cutout Dimensions*			Oven Cap. (cu. ft.)
			A**	B	C†	CC	CCC	D	E	F	G	

Professional Series Pro Grand Dual-Fuel Ranges

PD304BS	60,000	4.3	35 ⁷ / ₈ to 36 ³ / ₄	29 ⁷ / ₈	29 ¹ / ₂	32 ⁵ / ₈	27 ¹ / ₈	47 ³ / ₈	35 ⁷ / ₈ to 36 ³ / ₄	30	24 to 25 ¹ / ₂	4.6
PD364GEBS PD364GLBS PD366BS	75,000 78,000 90,000	6.8	35 ⁷ / ₈ to 36 ³ / ₄	35 ⁷ / ₈	29 ¹ / ₂	32 ⁵ / ₈	27 ¹ / ₈	47 ³ / ₈	35 ⁷ / ₈ to 36 ³ / ₄	36	24 to 28 ³ / ₈	5.1
PD484GGEBS PD486GEBS PD486GLBS	93,000 105,000 108,000	10.6	35 ⁷ / ₈ to 36 ³ / ₄	47 ⁷ / ₈	29 ¹ / ₂	32 ⁵ / ₈	27 ¹ / ₈	47 ³ / ₈	35 ⁷ / ₈ to 36 ³ / ₄	48	24 to 25 ¹ / ₂	5.1/2.5

Professional Series Pro Grand All-Gas Self-Cleaning Ranges

PG304BS	85,000	N/A	35 ⁷ / ₈ to 36 ³ / ₄	29 ⁷ / ₈	29 ¹ / ₂	32 ⁵ / ₈	27 ¹ / ₈	47 ³ / ₈	35 ⁷ / ₈ to 36 ³ / ₄	30	24 to 25 ¹ / ₂	4.6
PG364GEBS PG364GLBS PG366BS	105,000 108,000 120,000	N/A	35 ⁷ / ₈ to 36 ³ / ₄	35 ⁷ / ₈	29 ¹ / ₂	32 ⁵ / ₈	27 ¹ / ₈	47 ³ / ₈	35 ⁷ / ₈ to 36 ³ / ₄	36	24 to 28 ³ / ₈	5.1
PG484GGEBS PG486GEBS PG486GLBS	138,000 150,000 153,000	N/A	35 ⁷ / ₈ to 36 ³ / ₄	47 ⁷ / ₈	29 ¹ / ₂	32 ⁵ / ₈	27 ¹ / ₈	47 ³ / ₈	35 ⁷ / ₈ to 36 ³ / ₄	48	24 to 25 ¹ / ₂	5.1/2.5

Professional Series Pro Grand Range Back Guard Feature Options***

RANGE SIZE	Dual-Fuel/All-Gas Self-Cleaning Range		
	30" Range	36" Range	48" Range
22" High Back Shelf	HS30R	HS36R	HS48R
12" Low Back Guard	N/A	LB36R	LB48R
9" Back Guard	Included	N/A	N/A
3 ⁵ / ₈ " Trim Piece	IT30R	IT36R	IT48R
Black Knob Accessory Kit	KNOBRGBLK	KNOBRGBLK	KNOBRGBLK

General Information

RANGE SIZE	Dual-Fuel Range			All-Gas Self-Cleaning Range		
	30" Range	36" Range	48" Range	30" Range	36" Range	48" Range
120 Volts, 3 Prong Plug, 60 Hz, Single Phase A.C., 20 Amps				15 Amps	PD364GEBS only	■
120/240 or 120/208 Volts, 4 Wire, 60 Hz, Single Phase	■ /35 Amp	■ /40 Amp	■ /50 Amp			
Approximate Shipping Weight (lbs.)	427	460	617	442	463	625

L.P. Converter orifices - PD ranges order (PLPKIT). Black Knob Kit (KNOBRGBLK) ordered separately. All-Gas Self-Cleaning PG ranges factory (NG) Natural Gas or factory (LP) Liquid Propane ordered separately.

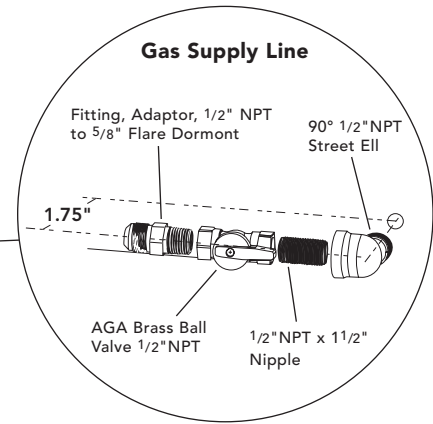
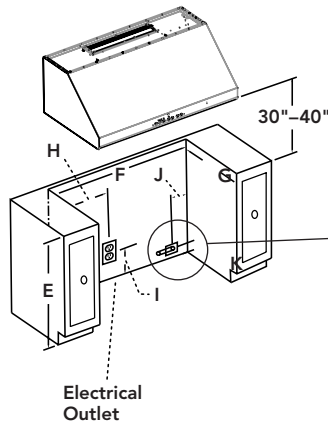
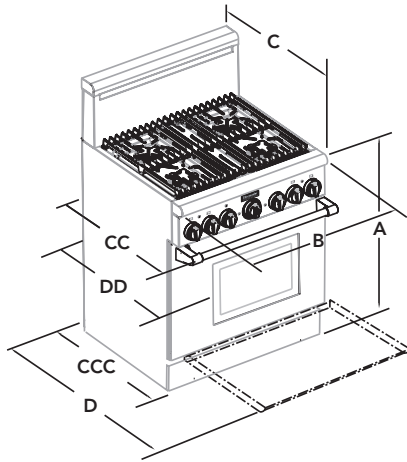
Notes: 1) All height, width and depth dimensions are shown in inches. 2) Oven doors should be removed for doorway clearance. *Please refer to installation instructions prior to making cutout. Installation instructions and back guard information are available at www.thermador.com. **Height without back guard or high shelf. ***You must install your professional range with one of the back guards listed above. They are ordered separately — except for the 30" range, which comes standard with a 9" back guard. Approved for residential use only. †Measured to front of bullnose. ††BTU/hr includes surface burners and the oven.



Ranges and cooktops are CGA and AGA approved.

PROFESSIONAL SERIES PRO HARMONY™ RANGES

Pro Harmony All-Gas Range with Cutout



Model No.	BTU/hr††	Overall Dimensions							Cutout Dimensions*							Oven Cap. (cu. ft.)	
		Max.	A**	B	C†	CC	CCC	D	DD	E	F	G	H	I	J		K
Professional Series Pro Harmony All-Gas Ranges																	
P304CS	83,500		35 ⁷ / ₈ to 36 ³ / ₄	30	26 ¹ / ₂	27 ⁵ / ₈	23	44 ⁷ / ₈	24 ³ / ₄	35 ⁷ / ₈ to 36 ³ / ₄	30 ¹ / ₄	24	6	8	6	13 ³ / ₄	4.4 cu.ft.
P364GECS	87,000		35 ⁷ / ₈ to 36 ³ / ₄	36	26 ¹ / ₂	27 ⁵ / ₈	23	44 ⁷ / ₈	24 ³ / ₄	35 ⁷ / ₈ to 36 ³ / ₄	36 ¹ / ₄	24	6	8	6	13 ³ / ₄	5 cu.ft.
P364GLCS	99,000																
P366CS	117,000																

Professional Series Pro Harmony Range Back Guard Feature Options***

RANGE SIZE	30" Range	36" Range
22" High Back Shelf	GP30HS	GP36HS
9" Low Back Guard	N/A	GP36LB
6" Back Guard	Included	N/A
2" Island Trim Piece	GP30IT	GP36IT
Black Knob Accessory Kit	GBLKNOB	GBLKNOB

General Information

RANGE SIZE	30" Range	36" Range	P364GECS (Electric Griddle)
120 Volts, 3 Prong Plug, 60 Hz, Single Phase A.C., 15 Amps	■	■	20 Amps
Approximate Shipping Weight (lbs)	310	340	340
Bake Burner BTU/hr	23,500	27,000	27,000
Infrared Broiler Burner BTU/hr	20,000	20,000	20,000

Black Knob Kit (GBLKNOB) ordered separately. All-Gas ranges are factory (NG) Natural Gas or ordered factory (LP) Liquid Propane separately (P366CLP).

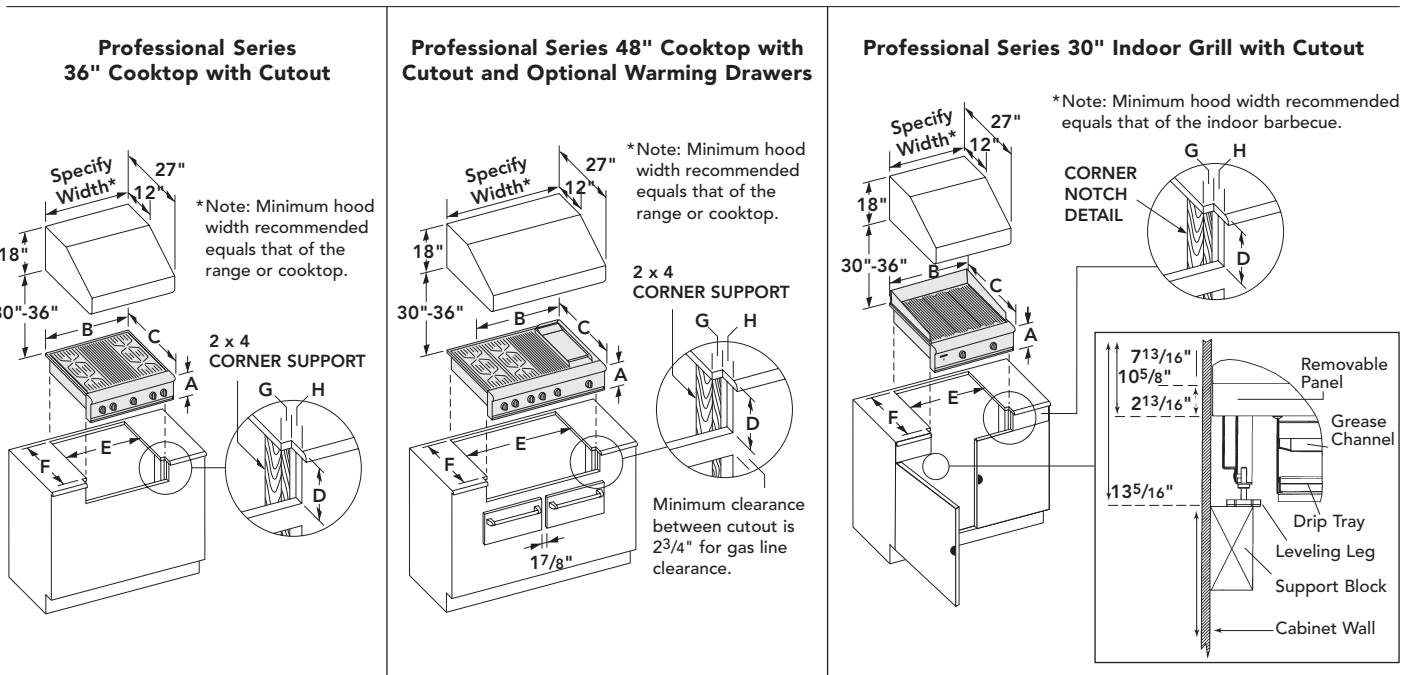
Notes: All height, width and depth dimensions are shown in inches. *Please refer to installation instructions prior to making cutout. **Height without back guard or high shelf. ***You must install your professional range with one of the back guards listed above. They are ordered separately—except for the 30" range, which comes standard with a 6" back guard. Approved for residential use only. †Measured to front of bullnose. ††BTU/hr includes surface burners and the oven.



Ranges and cooktops are CGA and AGA approved.

For immediate critical installation dimensions by fax, use your fax handset and call (775) 833-3600. Use code #8030 for a directory of Thermador® products.

PROFESSIONAL SERIES COOKTOPS



Model No.	BTU/hr	Overall Dimensions				Cutout Dimensions*				
		Max.	A	B	C	D	E	F (min.)	G	H
Professional Series Cooktops										
P24WKBS	30,000		8 ¹ / ₈	24 ³ / ₄	26 ¹ / ₂	7 ¹³ / ₁₆	24	22 ¹¹ / ₁₆	3/ ₈	2
PB30BS†	40,000		8 ¹ / ₈	29 ⁵ / ₁₆	26 ¹ / ₂	13 ⁵ / ₁₆	29 ⁵ / ₈	22 ¹¹ / ₁₆	3/ ₈	2
PC364GEBS	75,000		8 ¹ / ₈	35 ⁷ / ₈	26 ¹ / ₂	7 ¹³ / ₁₆	35 ¹ / ₈	22 ¹¹ / ₁₆	3/ ₈	2
PC364GLBS	78,000									
PC366BS	90,000									
PC484GGEBS	93,000		8 ¹ / ₈	47 ⁷ / ₈	26 ¹ / ₂	7 ¹³ / ₁₆	46 ¹ / ₄	22 ¹¹ / ₁₆	1 ³ / ₁₆	2
PC486GEBS	105,000									
PC486GLBS	108,000									
PC484WKBS	90,000									

Back Guard Accessories

	24"	30"	36"	48"
12" Low Back Guard††	GP24LBS	GP30LBS	GPS36LBS	GPS48LBS
Island Trim††	GP24ITS	GP30ITS	GPS36ITS	GPS48ITS
Black Knob Accessory Kit	KNOBCTBLK	KNOBCTBLK	KNOBCTBLK	KNOBCTBLK

General Information

MODEL NUMBER	PC364GEBS	PC364GLBS	PC366BS	PC484GGEBS	PC486GEBS	PC486GLBS	PC484WKBS	PB30BS†	P24WKBS
120 Volts, 3 Prong Plug, 60 Hz, Single Phase A.C., 15 Amps	■	■	■	■	■	■	■	■	■
Fuel Type	NG	NG	NG	NG	NG	NG	NG	NG	NG
Approx. Shipping Weight (lbs.)	150	155	145	220	190	190	200	160	150
L.P. Converter Orifices								Included	Included
L.P. Converter Orifices, order (PLPKIT)	■	■	■	■	■	■	■		

Black Knob Kit (KNOBCTBLK) ordered separately.

Notes: All height, width and depth dimensions are shown in inches. *Please refer to installation instructions prior to making cutout. Installation instructions and back guard information are available at www.thermador.com. Approved for residential use only.

†Ventilation is strongly recommended installed above the Indoor PB30BS with a minimum of 1000 CFM blower. Ventilation products using mesh filters should not be used. Thermador's "PH" wall series hoods have been tested to be the correct ventilation product for this grill. PB30BS wall installation only. Island Installations are not recommended. ††Order separately.



Ranges and cooktops are CGA and AGA approved.

For immediate critical installation dimensions by fax, use your fax handset and call (775) 833-3600. Use code #8030 for a directory of Thermador® products.