

PRESRV™

REFRIGERATOR

OUTDOOR



Bring the party al fresco with our new Outdoor Refrigerator. The perfect co-host, this Outdoor and Indoor-certified model is ready to serve up food and drinks to wow your guests from apps right through dessert. Features include party-ready perks like ad-

justable shelving, customizable door shelving (accommodating two-liter and gallon jugs), all-white interior, sleek stainless steel exterior, white LED lighting and door lock.

**ZEPHYR**

ZEPHYRONLINE.COM



**How Presrv™ Stands Out:**



**PreciseTemp™**  
Multiple internal sensors help maintain accurate temperatures



**In-Door Shelving**  
Adjustable in-door shelving for additional storage

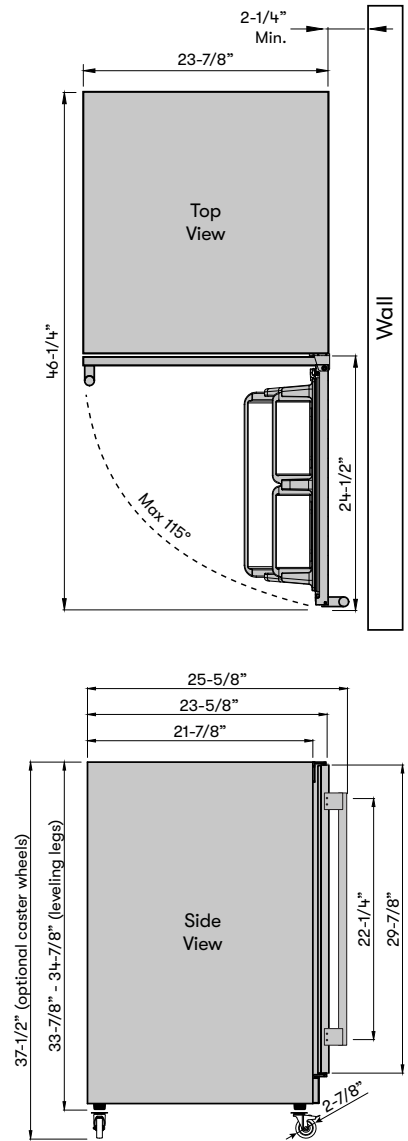


**Active Cooling Technology**  
An on-board computer controls active cooling fans to provide temperature stability and even cooling

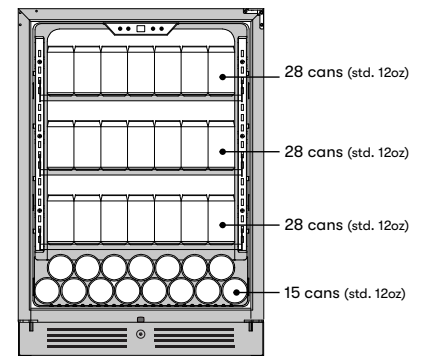
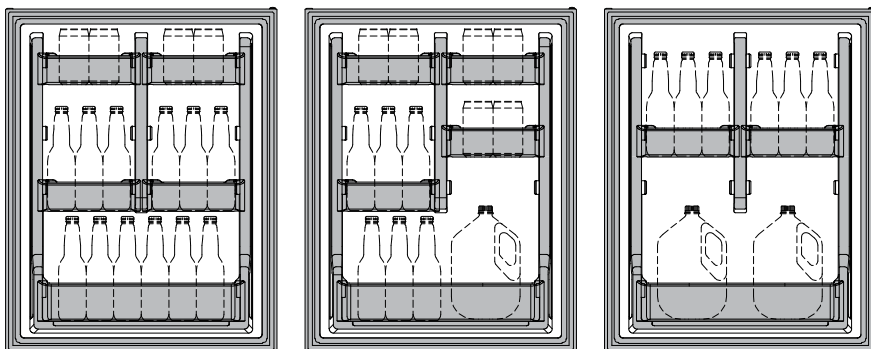


**Zephyr Warranty**  
We back our products with a generous 2 year parts and labor warranty along with a 5 year warranty on the compressor

<b>MODEL</b>	
Single Zone Refrigerator	PRR24C01AS-OD
<b>Size</b>	
Dimensions	24" x 23-7/8"W x 33-7/8"H x 23-5/8"D
Weight	100lbs.
Installation Type	Compact / Built-in / Freestanding
Outdoor/Indoor Certified	Yes
Refrigerant Type	R600a
<b>FEATURES</b>	
Volume	5.6 cu/ft
Temperature Range	34° - 50° F
Ambient Temperature Range	50° - 115° F
Sound Level	39 dBA
Cabinet Finish	304-grade Stainless Steel
Cabinet Finish	304-grade Stainless Steel
Interior Finish	White
Field-Reversible Door	Yes
Zero-Clearance Door Hinge	Yes
Handle	Pro-Style, side mounted
Shelving - Interior	3 adjustable, transparent-gray glass shelves
Shelving - Door	5 in-door shelves
Controls	Electronic Capacitive Touch
LED Lighting	Cloud White
Door Open Alarm	Yes, after 3 minutes
Door Lock	Yes
Sabbath Mode	Yes
ENERGY STAR® Certified	Yes
Air Filtration	Yes, w/ carbon filter
PreciseTemp™	Yes
Active Cooling Technology	Yes
<b>AC POWER</b>	
	115V, 60Hz at Max. 1.5A
<b>OPTIONAL ACCESSORIES</b>	
Casters (3-3/8" Height)	PRCAST-C001 (set of 4)
<b>WARRANTY</b>	
	2 years parts, 2 years labor 5 years compressor



**Door Shelf Configuration Examples**



**Transforming the Kitchen through Design, Discovery, and Care**

Specifications subject to change, check zephyronline.com for up-to-date information.  
Zephyr | 2277 Harbor Bay Parkway, Alameda, CA 94502 | 888.880.8368

