



Bottom freezer
RB 491/RY 491

- Fully integrated appliances. Doors open to a 115-degree angle, so that the large drawers can be pulled out completely.
- One asymmetrically split shelf and one motorized glass shelf to make best use of the refrigerator's interior space.
- Integrated automatic ice maker in the freezer drawer.

Niche height 84".
 Niche width 36"
 Net volume 19.6 cu.ft.

Electronic precision temperature control with digital temperature display. Dynamic cool air distribution with Multi-Flow Air System. Activated charcoal filter. Automatic defrosting. Open-door and malfunction warning system.

Cooling compartment
 Net volume 14.3 cu.ft.
 No-frost technology with fast cooling.
 Temperature adjustable from 35° to 46° F.
 Two continuous safety glass shelves with aluminum profiles, one of which is motorized.
 Asymmetrically split shelf, manually adjustable.
 One continuous, fully extendable drawer with transparent front.
 Two fully extendable drawers with transparent front.
 Bright interior lighting with two ceiling spotlights and two halogen light pillars on the side.
 Solid aluminum door bins.
 One large gallon bin per door.
 Two height-adjustable bins per door.
 One bin with front flap per door.

Freezer compartment
 Net volume 5.4 cu.ft.
 No-frost technology with fast freezing.
 Temperature adjustable from 7° to -9F°.
 Four-star freezer compartment.
 Two fully extendable drawers.
 Interior lighting with two spot lights.

Ice dispenser
 Integrated automatic ice maker in the freezer compartment, with ice bin.
 Ice making capacity approx. 3.3 lbs./24 hrs.
 Supply at normal operation approx. 8.8 lbs.
 Ice maker can be switched off independently.

Planning notes
 Flat hinge.
 Door hinges on the right, reversible (for RB 491 700).
 Plan the power outlet and water connection behind the appliance per installation instruction.

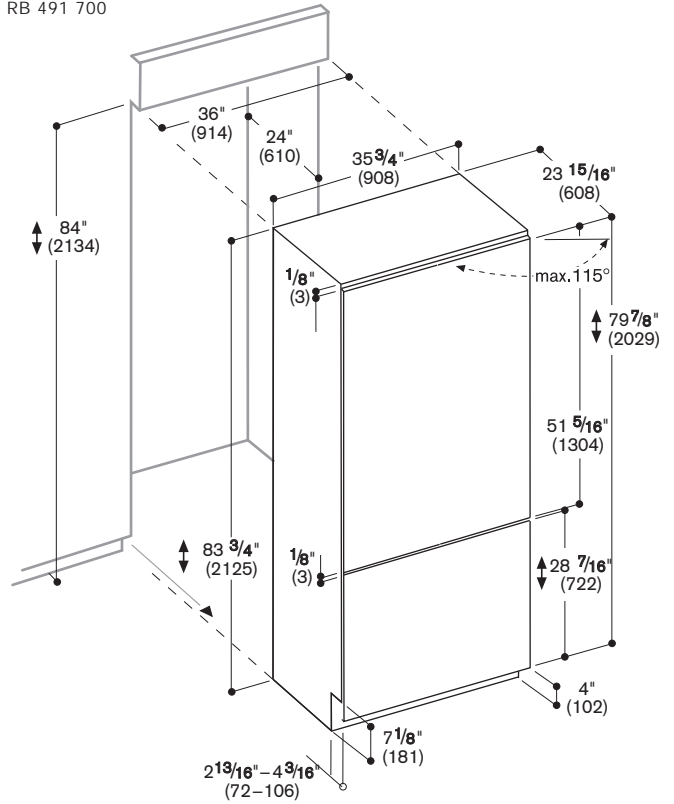
Rating
 Total connected load: 5.88 kW.
 Water connection.
 Connecting cable length 78".
 Supply hose length 118".
 Total Amps: 15 Amps
 120V / 60Hz
 Energy consumption
 1.15/1.31 kWh/24 hrs.

RB 491 700
 Two-door bottom freezer with integrated ice maker
 Fully integrated
 Width: 36"
RY 491 701
 Three-door bottom freezer with integrated ice maker
 Fully integrated
 Width: 36"

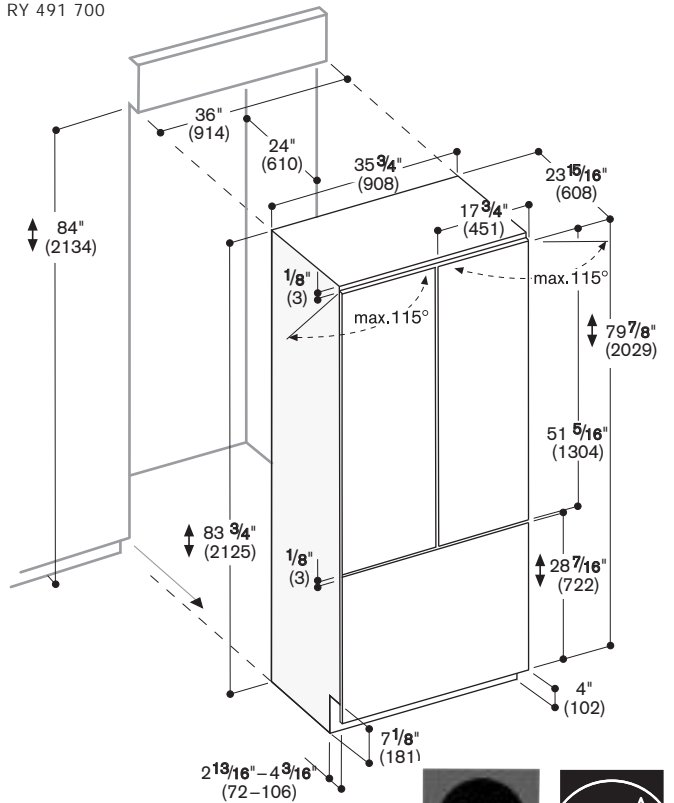
Included in the price
 1 ice scoop

Optional accessories
 RA 035 030
 Bottle cooler.
 RA 421 910
 Stainless steel door panel with handles for RB 491
 Panel thickness 3/4".
 RA 421 912
 Stainless steel door panel with handles for RY 491
 Panel thickness 3/4".
 RA 421 930
 Aluminum door panel with handles for RB 491
 Panel thickness 3/4".
 RA 421 932
 Aluminum door panel with handles for RY 491
 Panel thickness 3/4".
 RA 461 910
 Ventilation grill
 Stainless steel for RB 491 and RY 491.

RB 491 700



RY 491 700



Numbers indicated inside parenthesis () = mm

