



CI 491 602

Frameless

Width 36" (90 cm)

Optional accessories

GP 900 002

Stainless steel frying pan

Non-stick coating, for ø 7" cooking zone.

GP 900 003

Stainless steel frying pan

Non-stick coating, for ø 8" cooking zone.

Induction cooktop

CI 491

- Frameless for flush installation
- Frying sensor function
- Super booster function for the 11" cooking zone with 4.4 kW
- Twist-Pad control with removable magnetic knob

Cooking zones

- 1 induction cooking zone ø 7" (1,800 W, with booster 2,500 W), automatically switches to ø 11" (2,800 W, with booster 4,400 W).
- 1 induction cooking zone ø 8" (2,200 W, with booster 3,300 W).
- 2 induction cooking zones ø 7" (1,800 W, with booster 2,500 W).
- 1 induction cooking zone ø 6" (1,400 W, with booster 1,800 W).

Handling

- Twist-Pad control with removable magnetic knob.
- Cooking zone marking.
- Electronic power control in 17 output levels.

Functions

- Frying sensor function for ø 7" and ø 8" cooking zones.
- Booster function for each cooking zone.
- Super booster function for ø 11" cooking zone.
- Quick boil timer, with individually adjustable boiling time.
- Cooking timer for up to 90 minutes.
- Short-term timer.
- Memory function.
- Options menu.
- Power management.

Safety

- Main switch.
- Operation indication.
- Pan detection.
- Individual residual heat indication.
- Child lock.
- Safety lock.

Planning notes

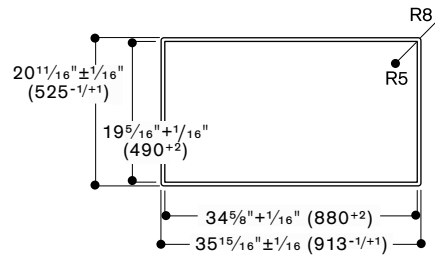
- Operates with magnetic (induction) iron pots and pans only. For an optimal heat distribution, the use of sandwich bottom cookware is recommended.
- The wok pan WP 400 001 cannot be used with this appliance.
- Doesn't operate without Twist-Pad knob.
- Immersion depth 2¼".
- Appliance must be fixed from underneath.
- Hard wire required.
- Cooktop clamping range: 1¾" - 1⅞".
- Joint width may vary due to dimensional tolerances of the glass ceramic cooktop and the worktop cut-out.

Please read the installation details regarding air ducting on page 78.

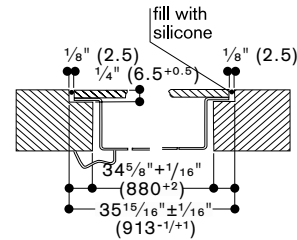
Rating

- Connecting cable 60" without plug.
- Total rating: 10.8 kW
- Total Amps: 45 Amps
- 220 - 240 V / 60 Hz

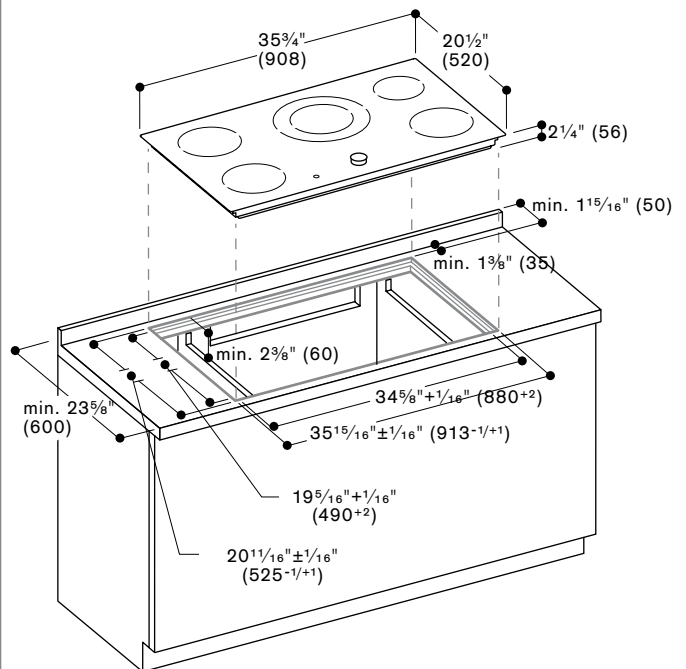
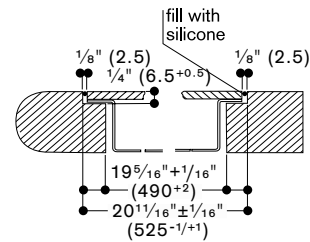
View from above



Longitudinal section



Cross section



Numbers indicated inside parenthesis () = mm