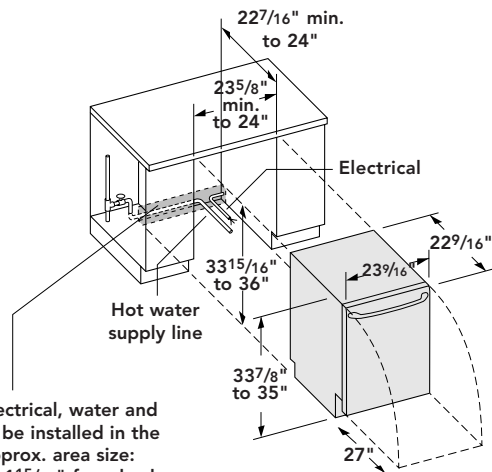


PLANNING GUIDE
DISHWASHERS

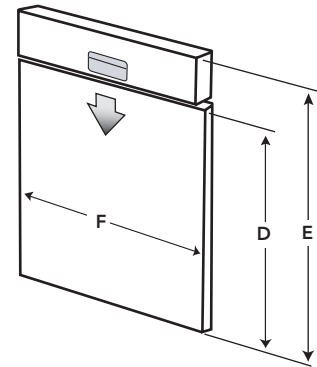
DISHWASHERS

Dishwasher with Cutout*



Openings for electrical, water and drain lines must be installed in the shaded area. Approx. area size: 3 1/2" from floor, 1 15/16" from back wall, width as shown.

Custom Panel Dimensions**



MODEL NO.	DWHD94BS	DWHD94BP	DWHD94BF	DWHD64CS	DWHD64CP	DWHD64CF
-----------	----------	----------	----------	----------	----------	----------

Design

Outer Door	Stainless Steel	Stainless Steel	Requires Custom Panel	Stainless Steel	Stainless Steel	Requires Custom Panel
Handle	Stainless Steel Curved	Stainless Steel Professional	N/A	Stainless Steel Curved	Stainless Steel Professional	N/A
Control	Sens-a-Touch™ Panel	Sens-a-Touch Panel	Sens-a-Touch Panel	Stainless Steel Panel w/ Push Buttons	Stainless Steel Panel w/ Push Buttons	Stainless Steel Panel w/ Push Buttons
Display	Full Text LCD (English, French & Spanish)	Full Text LCD (English, French & Spanish)	Full Text LCD (English, French & Spanish)	LED Countdown	LED Countdown	LED Countdown

Wash Cycles	Total	Regular	Auto	Options
DWHD94B_	9	6	3	PowerBoost,™ Time Delay
DWHD64C_	6	5	1	PowerBoost, Time Delay

Quality	18/10 Stainless Steel Tub	Nylon Coated Racks	Motor and Pump Protected by Solid Base	Electronic Control	Ball Bearing Latch (Smooth Door Closing Mechanism)
DWHD94B_	■	■	■	■	■
DWHD64C_	■	■	■	■	■

Key Features	PowerBeam	Turbidity Sensor	Particle Sensor	Load Sensing System	Specialty Glass Rack Insert
DWHD94B_	■	■	■	■	■
DWHD64C_	■	■			

Safety	Advanced Filtration	Leak Protection w/ Auto Shutoff	HygieneDry™ (National Sanitization Foundation (NSF) Certified)	Hidden Heating Element
DWHD94B_	4 Stage	■	■	■
DWHD64C_	3 Stage	■	■	■

Noise Reduction	Sound Rating	Dual Pump System	Suspension Motor	Insulation
DWHD94B_	44 dB	■	■	Triple Layer
DWHD64C_	46 dB	■	■	Triple Layer

Rack Dimensions	Upper Rack Overall Height Clearance (in)	Upper Rack Removed Height Clearance (in)	Lower Rack Height Clearance (in)
All HD Models	8-10	12-14	22

Custom Panel Dimensions**	D	E	F	Min – Max Weight (lbs)	Door Thickness
All HD Models	20 ^{11/16} – 25	27 ^{3/16} – 30 ^{5/16}	23 ^{3/16} – 23 ^{3/8}	9 – 21	3/4

General Information***	Electrical	Approx. Shipping Weight (lbs)
All Models	120 Volts, 60Hz, 20 Amps	125

Notes: All height, width and depth dimensions are shown in inches.*Please refer to installation instructions prior to making cutout. Installation instructions are available at www.thermador.com.**Consult installation instructions included with dishwasher. ***For complete details see Care & Use manual.



Dishwashers are UL and CUL approved.