

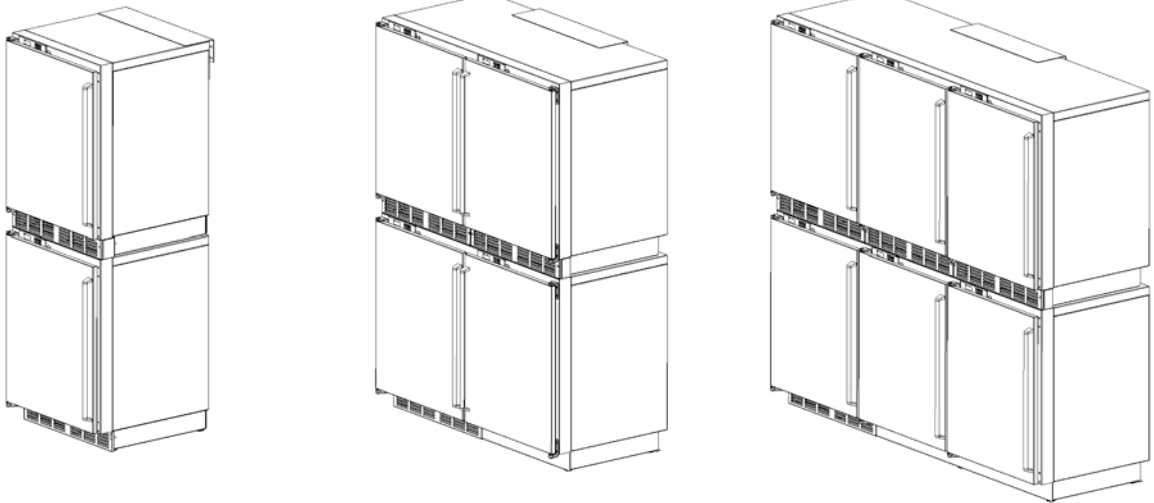
# HOME CABINET

## Stacking Kit Installation

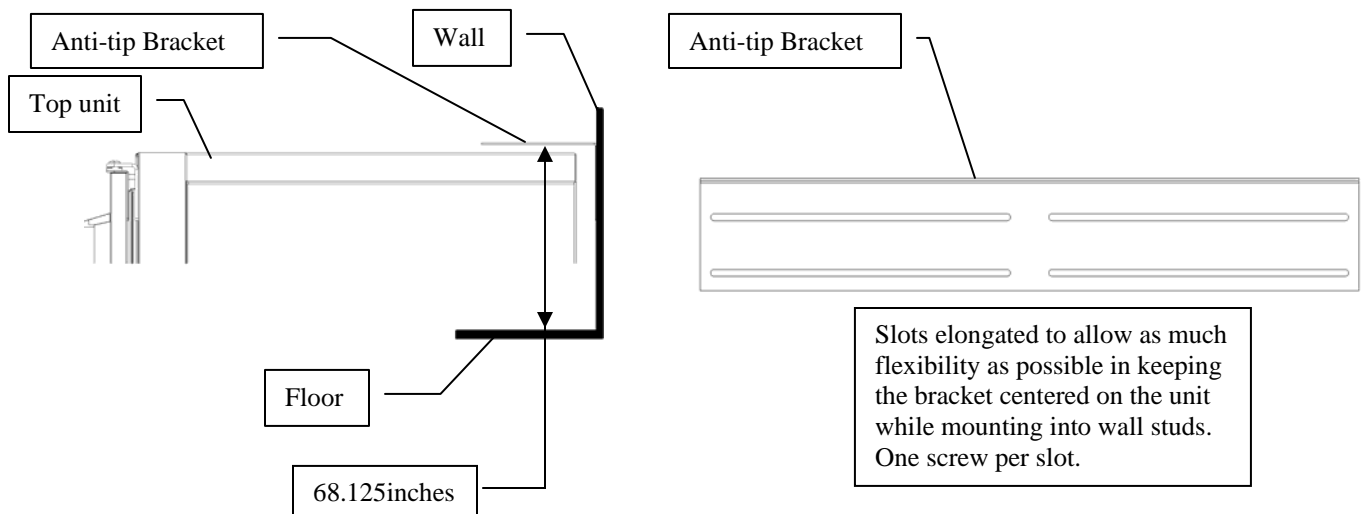
### BEFORE YOU BEGIN

These units are extremely heavy. Ensure that you have enough people on hand to help in the repositioning of the units so that it can be done safely and without damage.

Each available size cabinet shown stacked and in position with the anti-tip bracket installed. All door and drawer configurations can also be stacked.



- 1) Mount the anti-tip bracket to the wall as shown.

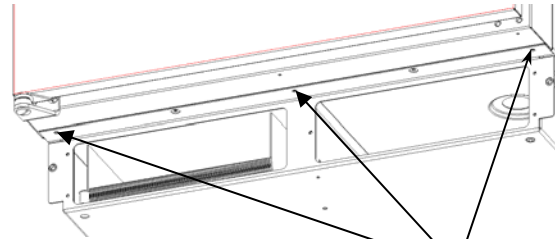


2) Decide which unit is desired to be the top unit of the stacked configuration

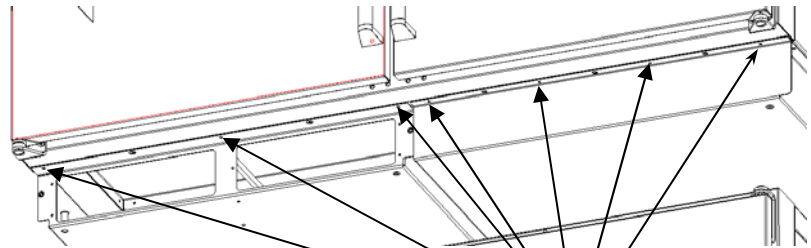
3) Remove the grill and leg levelers from the top unit

4) Place the top unit carefully onto the bottom unit, use caution so as not to damage either unit. The top unit should be set slightly forward in relation to the bottom unit to provide easier access to mounting holes.

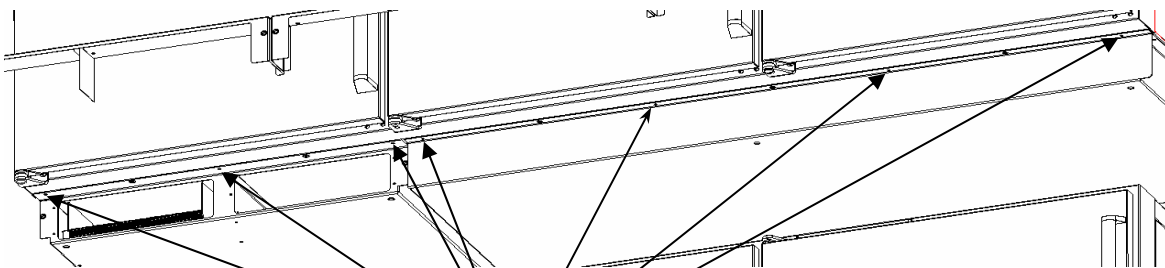
5) Remove screws from the unit as shown



Remove these screws (per step 4)



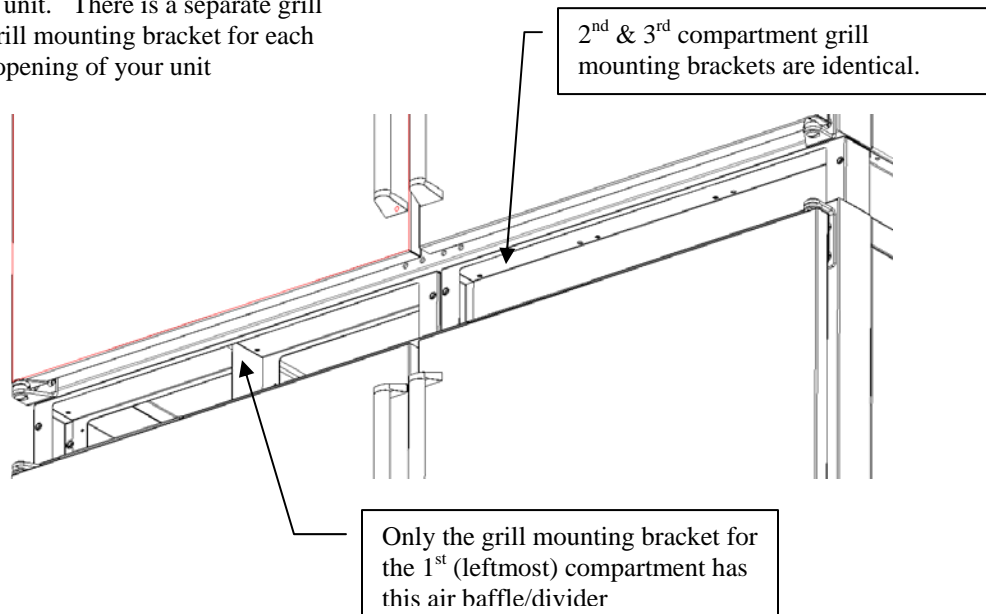
Remove these screws (per step 4)



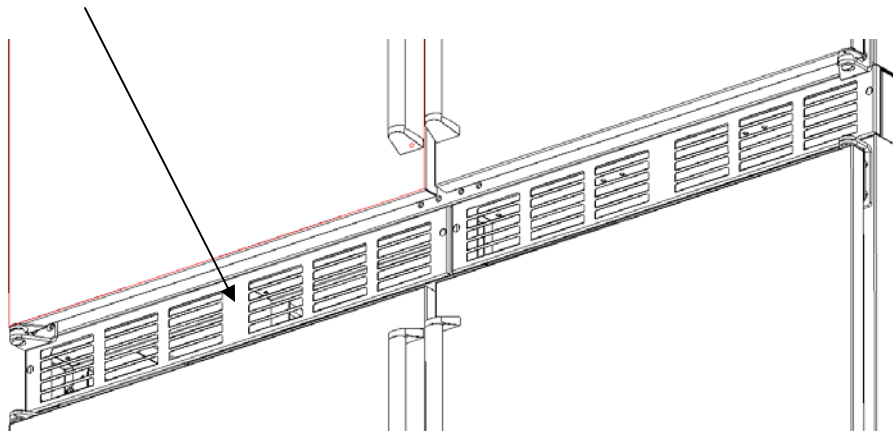
Remove these screws (per step 4)



- 6) Using the same screws from step 5, assemble the grill mounting brackets to the unit. There is a separate grill and grill mounting bracket for each door opening of your unit



- 7) Assemble the louvered grill plates to the unit. Each grill plate is identical



- 8) Slide the top unit into position so the front surfaces on the top and bottom units are flush with one another.
- 9) Push the entire stacked arrangement into its final position under the anti-tip bracket.

