

# 24" SIGNATURE SERIES DUAL-ZONE FREEZER/REFRIGERATOR DRAWERS

**HP24ZS-3**  
**HP24ZO-3**

24" INDOOR MODEL  
24" OUTDOOR MODEL

**Perlick**<sup>®</sup>  
QUALITY & INNOVATION  
THAT **INSPIRES**



Drawer Model



## GENERAL SIGNATURE SERIES FEATURES

- Perlick's exclusive commercial-grade 1,000 Btu variable speed compressor
- Front-vented, RAPIDcool forced-air refrigeration system
- Commercial-grade stainless steel interior and exterior
- **Industry Exclusive** convertible door design allows all doors the ability to be converted to wood overlay from stainless steel
- **Industry Exclusive** adjustable, full-extension pull-out shelves (drawer models and beer dispenser excluded)
- Stainless-steel ball-bearing glides provide smooth movement of drawers – even when fully stocked
- State-of-the-art digital control module
- Optional Industry-Exclusive drawer locks (factory installed)
- Stacking kit available
- Indoor and outdoor models available
- 5.0 cubic feet of capacity
- Industry Best Three Year Warranty plus additional three years on sealed system

## HP24ZS-3/ZO-3 FEATURES

- Features two independently-controlled temperature zones
- Available with stainless steel drawers or fully integrated overlay drawers
- Freezer equipped with automatic hot gas defrost for maintenance-free defrosting
- Drawers are full-extension for easy stocking and access to goods
- Freezer drawer temperature -10° - 10°F
- Refrigerator drawer temperature 30°F - 42°F

Form No. HP24Z-3  
Rev. 12.17.2015

## PRODUCT SPECIFICATIONS

<b>Overall Width</b>	23-7/8" (60.64 cm.)
<b>Overall Height</b>	34-1/4" (86.96 cm.)
<b>Overall Depth</b>	24" (60.96 cm.)
<b>Opening Width</b>	24" (60.96 cm.)
<b>Opening Height</b>	34-3/8" (87.31 cm.)
<b>Opening Depth</b>	24" (60.96 cm.)
<b>Refrigerated Volume</b>	5.0 cu. ft.
<b>Drawer Clearance</b>	18.25" (46.5 cm.) minimum
<b>Electrical</b>	115V, 60Hz, 1 Phase, 2.3 amps
<b>Plumbing</b>	None Required
<b>Annual Energy Usage</b>	415 kWh/yr
<b>Shipping Weight</b>	191 lbs (100.70 kg.)

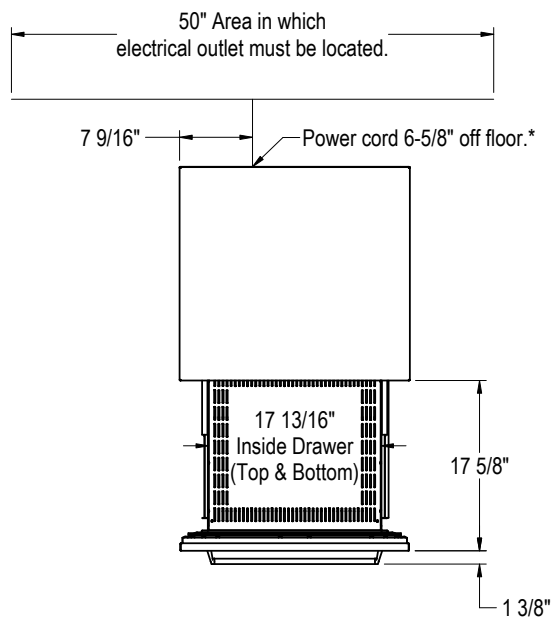
## INDOOR MODELS

<b>HP24ZS-3-5</b>	Stainless steel drawers
<b>HP24ZS-3-6</b>	Fully integrated overlay* drawers

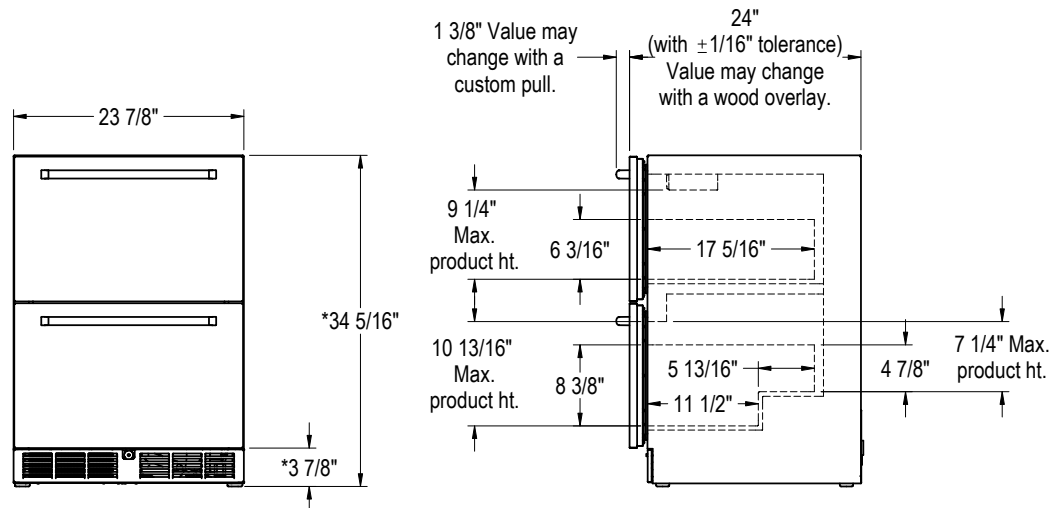
## OUTDOOR MODELS

<b>HP24ZO-3-5</b>	Stainless steel drawers
<b>HP24ZO-3-6</b>	Fully integrated overlay* drawers

*\*This model comes ready to accept a custom panel – panel not included*



\*- Leg leveler can add 3/4" to these dimensions when fully extended.



Form No.HP24Z-3  
Rev. 12.17.2015