

*Frigidaire*

Factory Parts Catalog

Product No.	FRT21S6ABC	FRT21S6AQC	FRT21S6AWC
Series	R134a	R134a	R134a
Color	black	bisque	white
Volts	115	115	115
Wiring Diagram	240398801	240398801	240398801
Owner's Guide	241694400	241694400	241694400
Market	North America	North America	North America
Service Data Sheet	240379018	240379018	240379018
Installation Instructions	240568301	240568301	240568301



Electrolux Major Appliances  
 North & Latin America  
 P.O. BOX 212378  
 AUGUSTA, GA 30917

**THIS CATALOG SUPERCEDES  
 5995469672.**

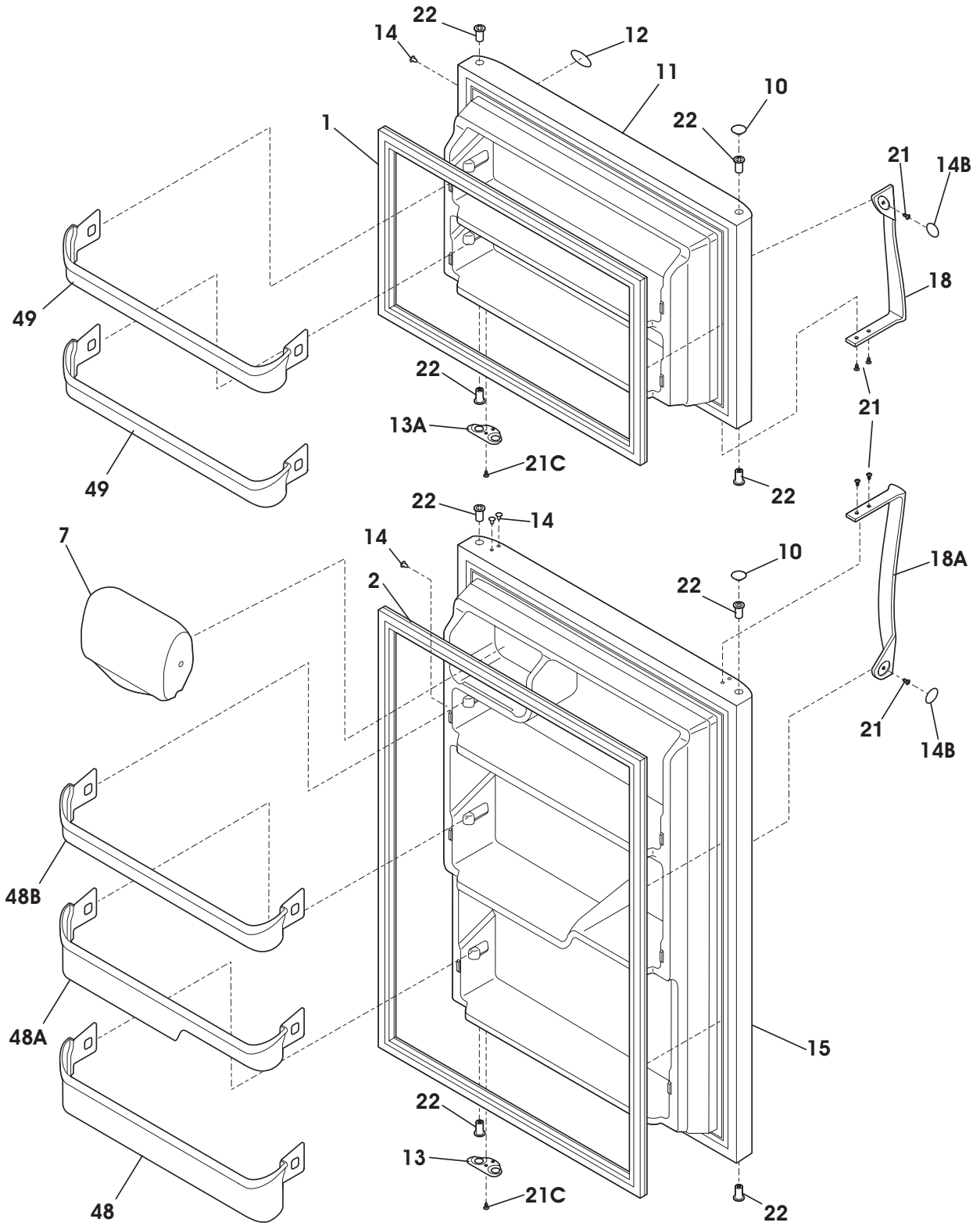
Publication No.  
**5995478277**  
 06/11/02  
 (EN/SERVICE/KHB)  
 137

**TOP-MOUNT  
 REFRIGERATOR**

**Model No.  
 FRT21S6A**

Copyright © 2006 Electrolux Home Products, Inc.  
 All rights reserved.

**DOOR**



N05DCDBCA1

---

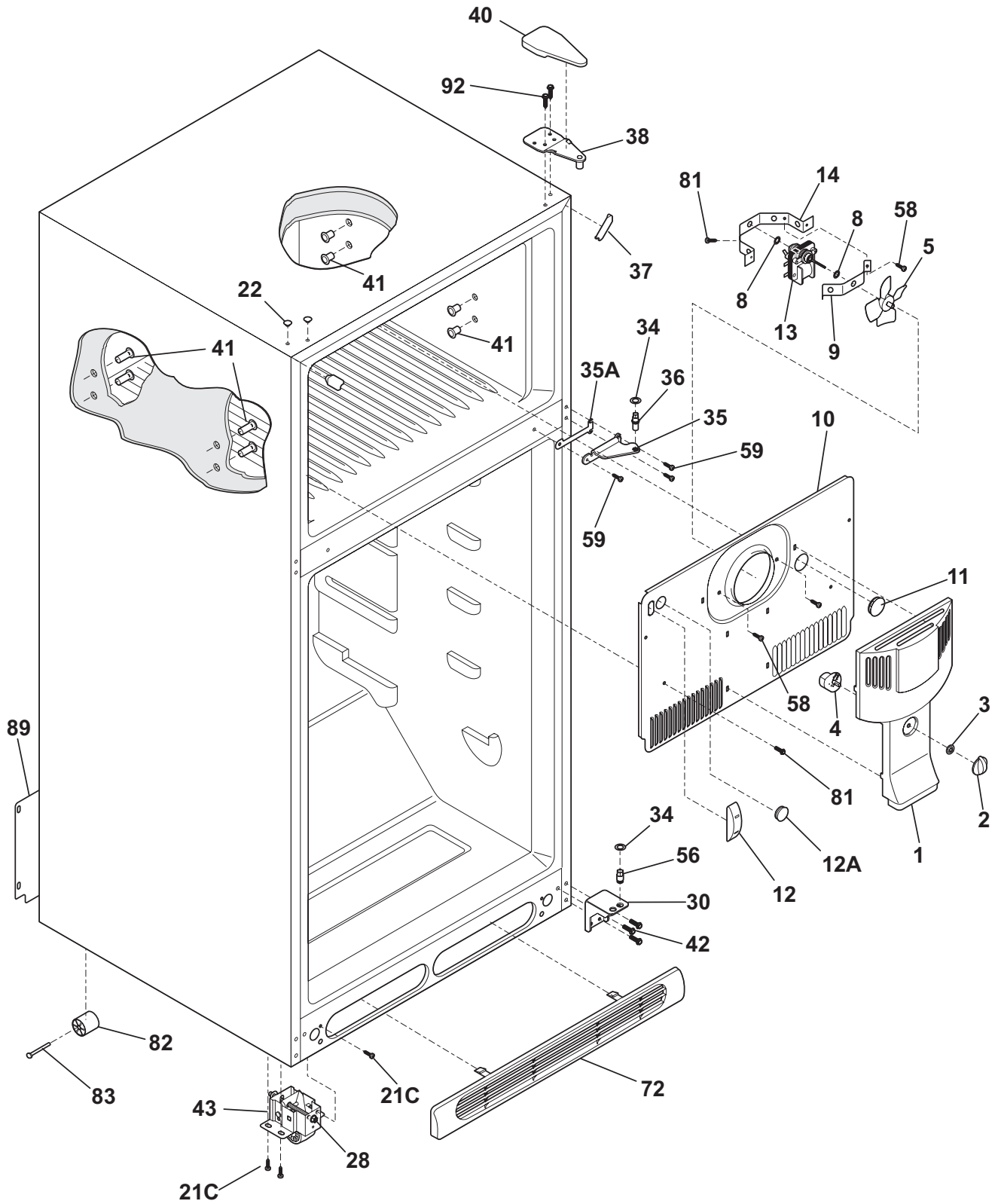
**DOOR**


---

*Model Index:* A FRT21S6A (FRT21S6ABC)  
 B FRT21S6A (FRT21S6AQC)  
 C FRT21S6A (FRT21S6AWC)

POS. NO	PART NO.		DESCRIPTION
1 #	240514611	A - -	Gasket, seal, black, frzr door, magnetic
1 #	240514607	- B C	Gasket, seal, white, frzr door, magnetic
2 #	240514612	A - -	Gasket, seal, black, refr door, magnetic
2 #	240514608	- B C	Gasket, seal, white, refr door, magnetic
7	240337703	A B C	Door-dairy, w/o graphics, clear
10	240381303	A - -	Plug-button, black, hinge brg hole
10	240381302	- B -	Plug-button, bisque, hinge brg hole, (2)
10	240381301	- - C	Plug-button, white, hinge brg hole, (2)
11	241798412	A - -	Door-frzr, black, complete assy
11	241798406	- B -	Door-frzr, bisque, complete assy
11	241798402	- - C	Door-frzr, white, complete assy
12	240416304	A - -	Nameplate, black
12	240416303	- B -	Label-nameplate, bisque
12	240416301	- - C	Label-nameplate, white
13	240312405	A - -	Door Stop, black, refr
13	240312407	- B -	Door Stop, bisque, ref
13	240312403	- - C	Door Stop, white, ref
13A	240312406	A - -	Door Stop, black, frzr
13A	240312408	- B -	Door Stop, bisque, frzr
13A	240312404	- - C	Door Stop, white, frzr
14	240494003	A - -	Plug-button, black
14	240494002	- B -	Plug-button, bisque
14	240494001	- - C	Plug-button, white
14B	240383603	A - -	Plug-button, black, door handle
14B	240383602	- B -	Plug-button, bisque, door handle
14B	240383601	- - C	Plug-button, white, door handle
15	241798512	A - -	Door-refr, black, complete assy
15	241798506	- B -	Door-refr, bisque, complete assy
15	241798502	- - C	Door-refr, white, complete assy
18	240339203	A - -	Handle-door, black, refr-LH/frzr-RH
18	240339204	- B -	Handle-door, bisque, refr-LH/frzr-RH
18	240339201	- - C	Handle-door, white, refr-LH/frzr-RH
18A	240339208	A - -	Handle-door, black, refr-RH/frzr-LH
18A	240339209	- B -	Handle-door, bisque, refr-RH/frzr-LH
18A	240339206	- - C	Handle-door, white, refr-RH/frzr-LH
21	240383406	A B C	Screw, truss hd quad, #10-16 x .500, zinc
21C	218252200	A B C	Screw, #8 truss hd, 10-32CA x 0.500
22	240527102	A - -	Bearing-hinge, black
22	240527101	- B C	Bearing-hinge, natural color
48	240338101	A B C	Bin-door, pseudo, bottom
48A	240337901	A B C	Bin-door, refr
48B	240338001	A B C	Bin-door, pseudo, gallon, refr
49	240495804	A B C	Bin-door, pseudo, frzr

**CABINET**



**N05BBAABA17**

**CABINET**

*Model Index:* A FRT21S6A (FRT21S6ABC)  
 B FRT21S6A (FRT21S6AQC)  
 C FRT21S6A (FRT21S6AWC)

POS. NO	PART NO.		DESCRIPTION
1	240355402	A B C	Cover-fan
2	240367001	A B C	Knob-damper control
3	5303212803	A B C	Nut
4	241523701	A B C	Damper-fan cover
5 #	5308000010	A B C	Fan Blade, red, evaporator fan
8	5300157666	A B C	Bushing-motor mtg, (2)
9	5303292396	A B C	Bracket-motor mtg, front
10	240313612	A B C	Cover-evap coil, w/o light
10*#	240524701	A B C	Wiring Harness, freezer section
10*	240568606	A B C	Seal-coil cover
11	5303208309	A B C	Plug-hole, factory test
12	241557601	A B C	Plug-ice maker harness, rectangular
12A	240374401	A B C	Plug-wtr inlet tube, round, 1"
12A*	241586701	A B C	Plug-foam-wtr-inlet, round
13 #	240369702	A B C	Motor-evap fan
14	5303292397	A B C	Bracket-motor mtg, rear
14*	240433204	A B C	Screw, hex washer head, 8-18 x 5/16
21C	218252201	A B C	Screw, #8 truss hd, 10-32CA x 0.500
22	215774918	A - -	Plug-button, black, upr hinge holes
22	215774919	- B -	Plug-button, bisque, upr hinge holes
22	215774901	- - C	Plug-button, white, upr hinge holes
28	240335502	A B C	Bolt-roller adj, hex washer head, 1/4-20 x 4.020, (2), special
30	240314003	A - -	Bracket-lower hinge, black
30	240314011	- B C	Bracket-lower hinge, zinc
34	240311303	A B C	Washer, hinge, nylon, (2)
35	240313803	A - -	Bracket-ctr hinge, black
35	240313806	- B C	Bracket-ctr hinge, zinc
35A	240336802	A B C	Spacer-hinge, center
36	240516402	A B C	Pin-center hinge
37	240337603	A - -	Trim-cabinet corner, black, (2)
37	240337604	- B -	Trim-cabinet corner, bisque, (2)
37	240337601	- - C	Trim-cabinet corner, white, (2)
38	240313701	A B C	Bracket-upper hinge
40	240354404	A - -	Cover-upper hinge, black
40	240354403	- B -	Cover-upper hinge, bisque
40	240354401	- - C	Cover-upper hinge, white
41	5308009759	A B C	Grommet, shelf mtg, 1.25", LH, (4)
42	240578902	A B C	Screw-hinge mtg, hex head, 1/4-20 x 5/8
43	240335005	A B C	Roller Assy, adjustable, front, (2)
56	240516502	A B C	Pin-lower hinge
58	5304456287	A B C	Screw, hex washer head, 8-15A x 0.500
59	240442707	A - -	Screw-#10-32 X 3/4, black
59	240442706	- B C	Screw-#10-32 X 3/4, zinc
72	240368207	A - -	Grille/Kickplate, black
72	240368206	- B -	Grille/Kickplate, bisque
72	240368205	- - C	Grille/Kickplate, white
81	5304455650	A B C	Screw, hex washer head, 8-15A x 0.625, low profile
82	5304418225	A B C	Roller, compressor base, rear, (2)

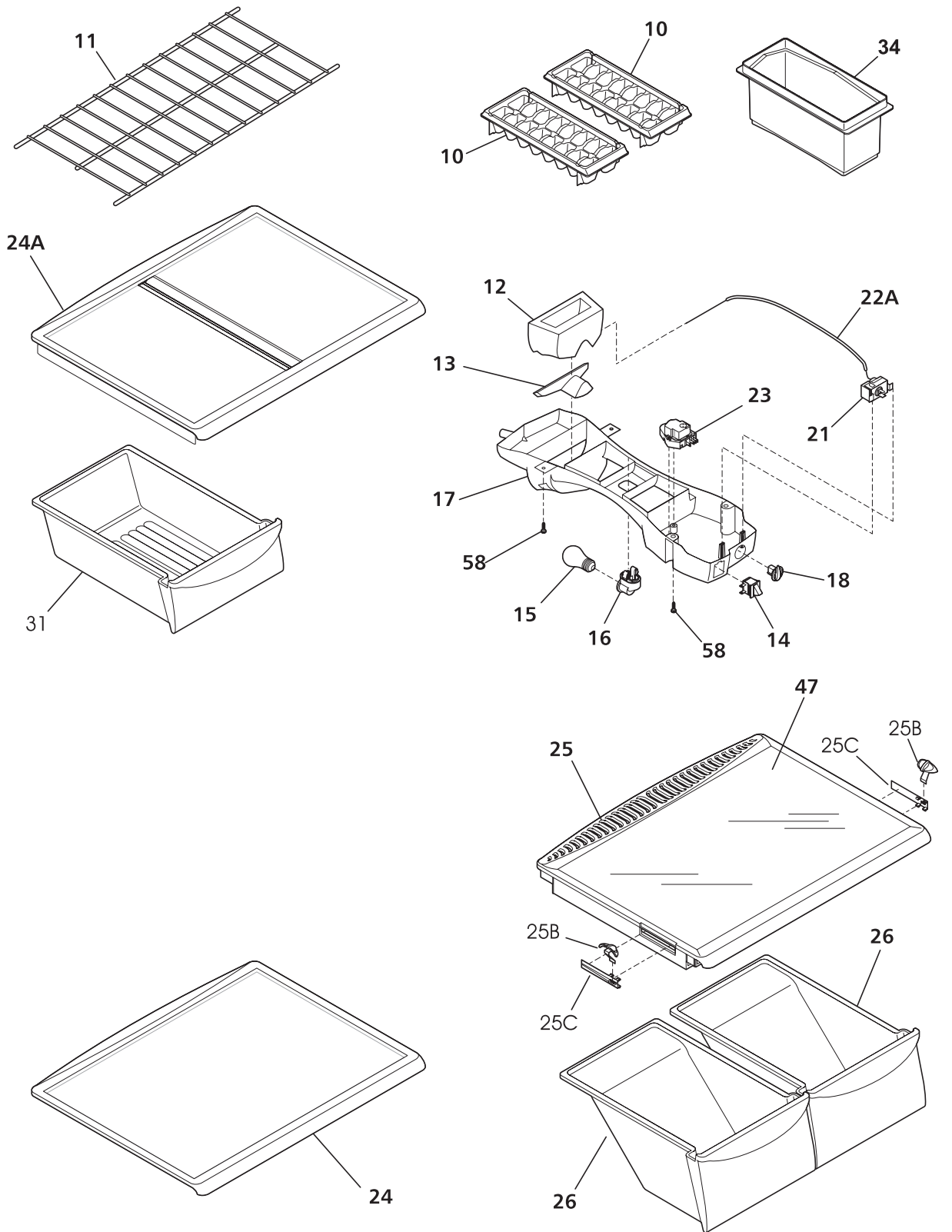


**CABINET**

*Model Index:* A FRT21S6A (FRT21S6ABC)  
 B FRT21S6A (FRT21S6AQC)  
 C FRT21S6A (FRT21S6AWC)

POS. NO	PART NO.		DESCRIPTION
83	5304455655	A B C	Rivet, flat head, 1/4 OD x 1-3/4, roller pin
89	241733907	A B C	Cover-access, with label
89*	241500303	A B C	Screw, hex washer head, 8-18AB x 0.500
92	241710601	A B C	Screw, hex washer hd, 1/4 x 7/8, hinge mtg
*	240479601	A B C	Plug, button, cab liner holes
*	5303321321	A - -	Paint, touch-up, black
*	5304414035	- B -	Paint, touch-up, bisque
*	5303321319	- - C	Paint, touch-up, white

**SHELVES**



N05SABAFI17

**SHELVES**

*Model Index:* A FRT21S6A (FRT21S6ABC)  
 B FRT21S6A (FRT21S6AQC)  
 C FRT21S6A (FRT21S6AWC)

POS. NO	PART NO.		DESCRIPTION
10	215667501	A B C	Tray, ice cube, plastic
11	240358006	A B C	Shelf, freezer, full-width, wire
11*	5303299664	A B C	Spacer, shelf
12	240545901	A B C	Diffuser-air, top
13	240362601	A B C	Diffuser, air, bottom
14 #	241554901	A B C	Switch-light/lamp
15	240436702	A B C	Light Bulb/Lamp, A-15, clear, 40 W, 120 V, miniature
16 #	241559801	A B C	Socket-light
17	240368101	A B C	Control Box
17*#	240388701	A B C	Wiring Harness, control box
18	240360801	A B C	Knob, temp control
21 #	5304445058	A B C	Control-temperature
22A	240468201	A B C	Tube, sensor sleeve, 31 inch, plastic, white
23 #	215846606	A B C	Timer, defrost, 60 Hz, 0.25 W, 120 V, 10 hour/30 min
23*	5303001259	A B C	Screw-timer mtg, pan hd, 6-20 x 0.438
24	240358909	A B C	Shelf-"Spill-Safe", sliding
24A	240358910	A B C	Shelf-"Spill-Safe", sliding, meat pan track
25	240364718	A B C	Cover-crisper pan
25B	241613501	A B C	Control-humidity, RH
25C	241613502	A B C	Control-humidity, LH
26	240343803	A B C	Pan, crisper, (2)
31	240530803	A B C	Pan-meat, w/o graphics, clear
34	240385201	A B C	Container, ice bin
47	240350654	A B C	Insert-pan cover, glass
81	5308016566	A B C	Screw, hex washer head, 8-15A x 0.625, low profile



**SYSTEM**

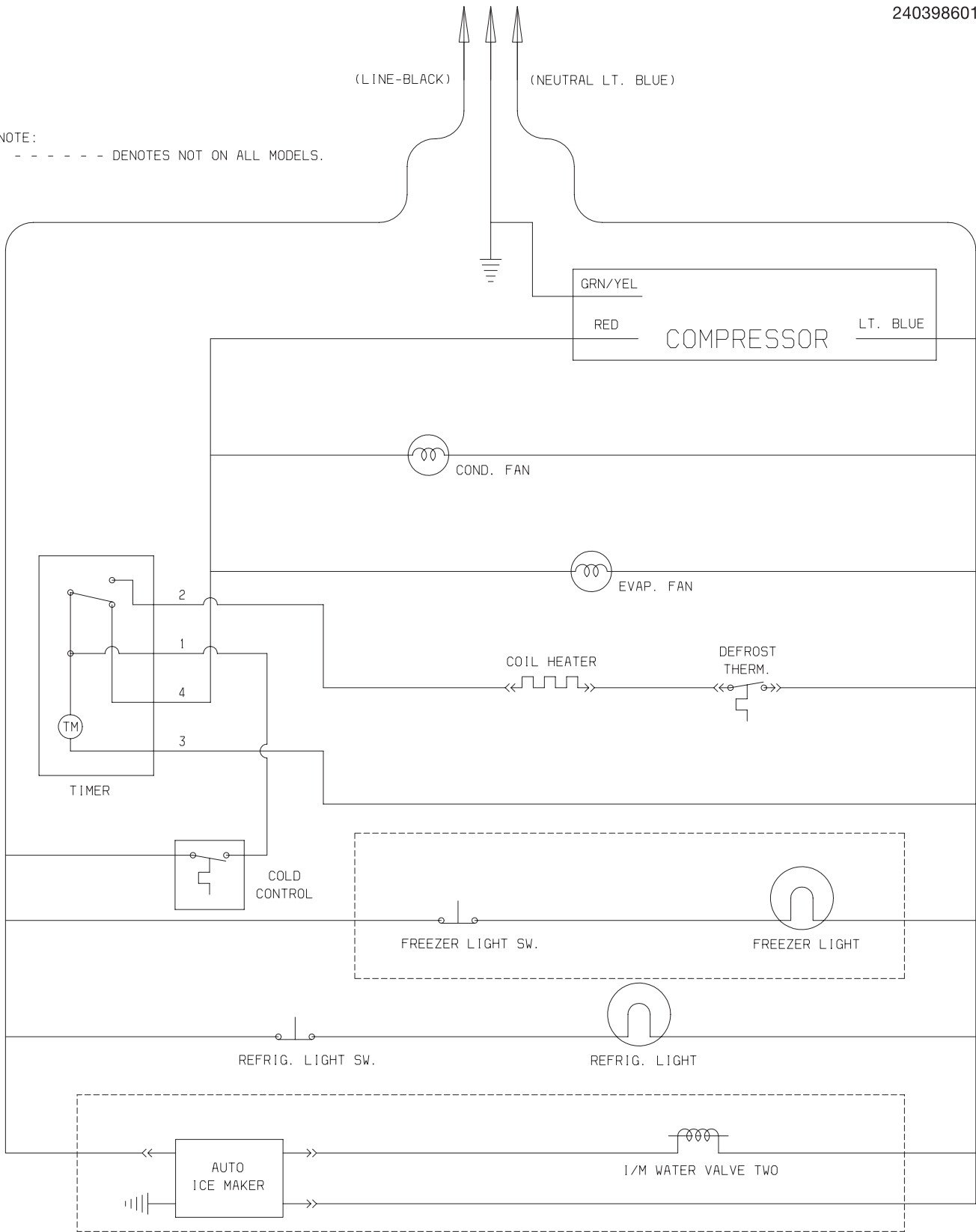
*Model Index:* A FRT21S6A (FRT21S6ABC)  
 B FRT21S6A (FRT21S6AQC)  
 C FRT21S6A (FRT21S6AWC)

POS. NO	PART NO.		DESCRIPTION
1 #	240444401	A B C	Condenser, dynamic
4 #	5303305677	A B C	Drier-filter, R12 & R134a
6 #	241607001	A B C	Harness-wiring, machine compt
6* #	240388701	A B C	Wiring Harness, control box
6* #	240524701	A B C	Wiring Harness, freezer section
14	240356217	A B C	Heater-defrost
15 #	5303918274	A B C	Evaporator Kit
16	5308000110	A B C	Strap-evap/heater, aluminum, (2)
17	241551801	A B C	Trough-drain
20	241551902	A B C	Insulation Block
21 #	5303918202	A B C	Thermostat-defrost, kit
22	241602010	A B C	Base-compressor
22*	218252201	A B C	Screw, #8 truss hd, 10-32CA x 0.500
23	218513300	A B C	Grommet-compr mtg, (4)
25	240491503	A B C	Screw-compressor mtg, 1/4-28 x 1.16, (4)
26	241637401	A B C	Pan-defrost
29 #	5303918326	A B C	Compressor, w/electricals
30 #	241667501	A B C	Relay Combo
34	240405201	A B C	Grommet, rubber, black, cond tube/wire
41	240555002	A B C	Screw-#8-32 X 3/8
44	215174700	A B C	Clamp-service cord, strain relief, galv steel
45	5304455650	A B C	Screw, hex washer head, 8-15A x 0.625, low profile
57	240542601	A B C	Clip-wiring harness
58	218897004	A B C	Screw, hex washer head, 8-32 x 0.375
59	5304430246	A B C	Bracket-cond motor assy
59*	240346701	A B C	Tape-foam seal, shroud
59*	240359403	A B C	Screw-fan shroud, (2)
60 #	240525402	A B C	Motor, condensor fan
61 #	240524101	A B C	Fan Blade, galv steel, condenser fan
82	5304418225	A B C	Roller, compressor base, rear, (2)
83	5304455655	A B C	Rivet, flat head, 1/4 OD x 1-3/4, roller pin
85	240493101	A B C	Tube-connector, suction
* #	5304421289	A B C	Hot Tube Repair Kit, service
*	240396801	A B C	Clamp, tube/wiring, nylon, black/natural
* #	5303918210	A B C	Heat Exchanger Kit, suction line

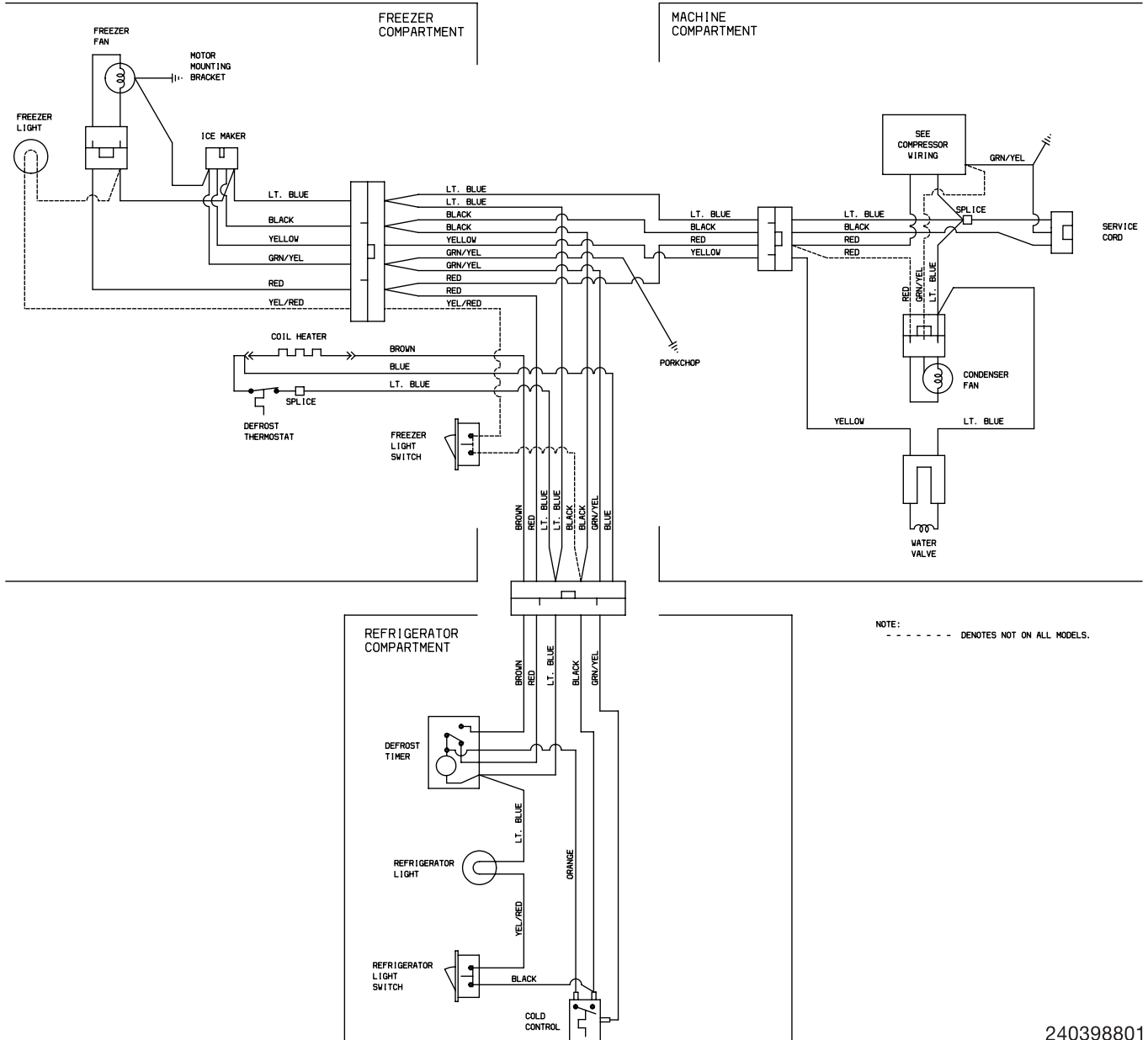
### WIRING SCHEMATIC

240398601

NOTE:  
- - - - - DENOTES NOT ON ALL MODELS.



### WIRING DIAGRAM



240398801