

Frigidaire

Factory Parts Catalog

Product No.	FRT8B5EQB	FRT8B5EQC	FRT8B5EWB	FRT8B5EWC	FRT8B5EZB	FRT8B5EZC
Series	R134a	R134a	R134a	R134a	R134a	R134a
Color	bisque	bisque	white	white	white (LH)	white (LH)
Volts	115	115	115	115	115	115
Wiring Diagram	240398801	240398801	240398801	240398801	240398801	240398801
Owner's Guide	241694400	241694400	241694400	241694400	241694400	241694400
Market	North America	North America	North America	North America	North America	North America
Energy Guide	241613702	241613702	241613702	241613702	241613702	241613702
Service Data Sheet	240379018	240379018	240379018	240379018	240379018	240379018
Installation Instructions	240568301	240568301	240568301	240568301	240568301	240568301



Electrolux Major Appliances
 North & Latin America
 P.O. BOX 212378
 AUGUSTA, GA 30917

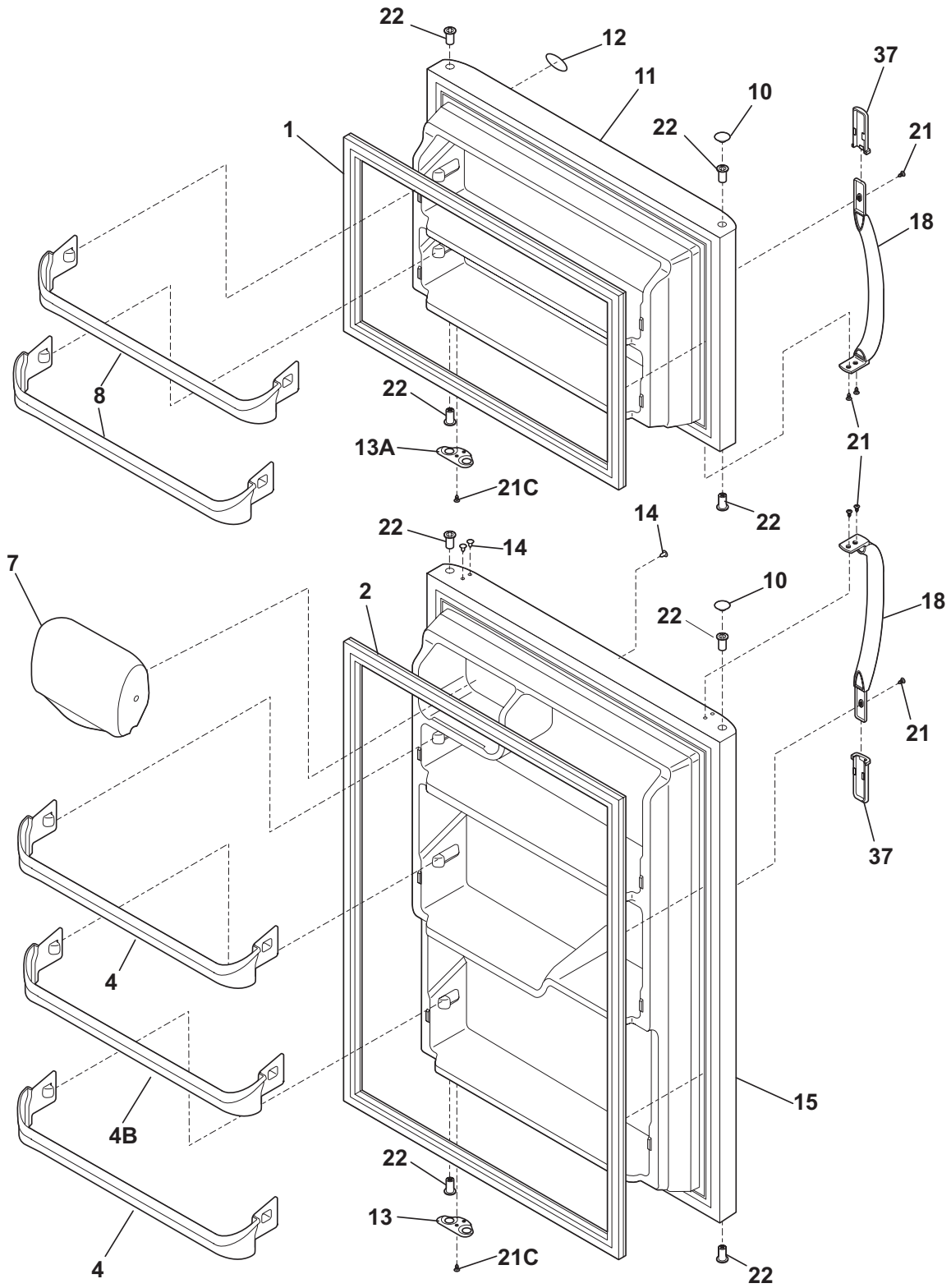
Publication No.
5995465449
 06/04/25
 (EN/SERVICE/DCS)
 390

**TOP-MOUNT
 REFRIGERATOR**

**Model No.
 FRT8B5E**

Copyright © 2006 Electrolux Home Products, Inc.
 All rights reserved.

DOOR



N05DAACKA1

DOOR

Model Index: A FRT8B5E (FRT8B5EQB)
 B FRT8B5E (FRT8B5EQC)
 C FRT8B5E (FRT8B5EWB)
 D FRT8B5E (FRT8B5EWC)
 E FRT8B5E (FRT8B5EZB)
 F FRT8B5E (FRT8B5EZC)

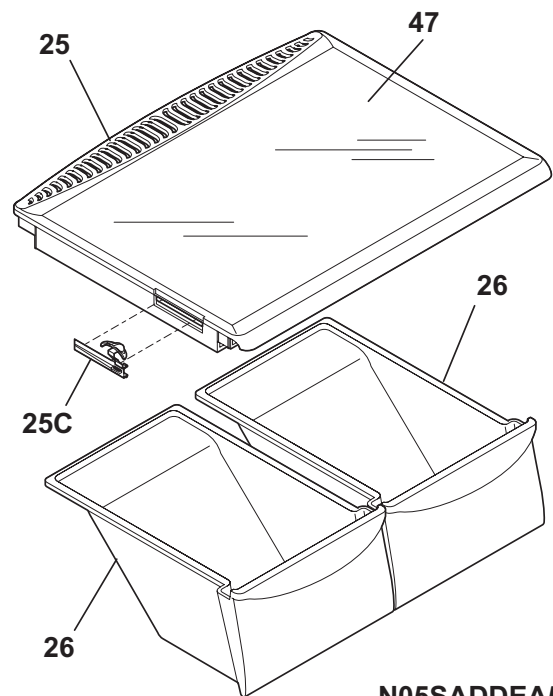
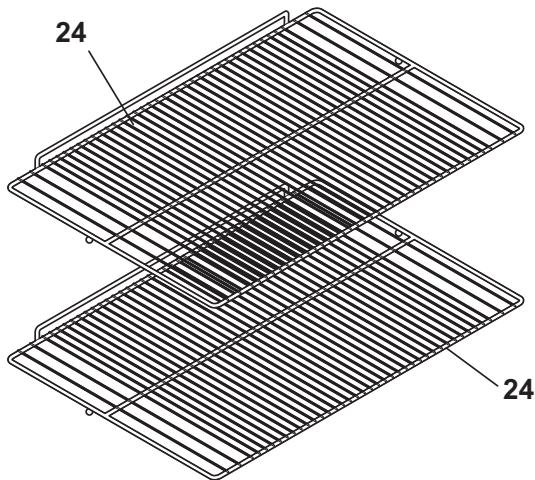
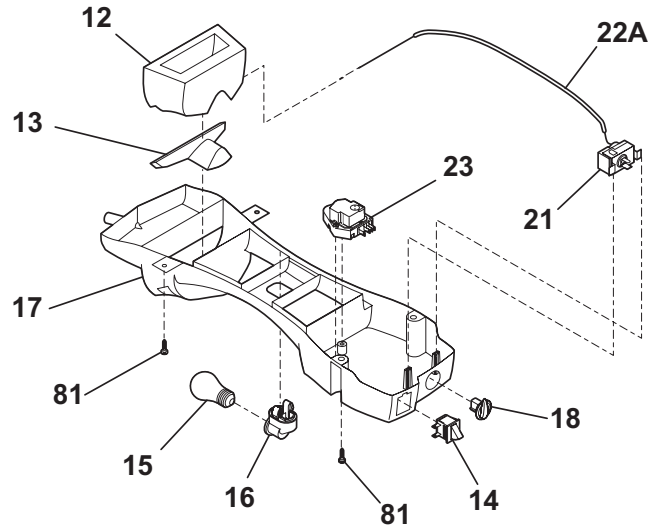
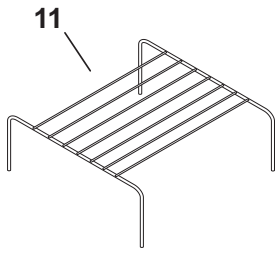
POS. NO	PART NO.		DESCRIPTION
1	240542115	A B C D E F	Gasket-frzr door, white, magnetic
2	240542118	A B C D E F	Gasket-refr door, white, magnetic
4	240534901	A B C D E F	Rack-door
4B	240534701	A B C D E F	Rack-door, 4B
7	240337703	A B C D E F	Door-dairy, w/o graphics, clear
8	240534801	A B C D E F	Rack-door
10	240381302	A B - - - -	Plug-button, bisque, hinge brg hole, (2)
10	240381301	- - C D E F	Plug-button, white, hinge brg hole, (2)
11	240412502	A B - - - -	Door, frzr, bisque, complete assy
11	240412501	- - C D E F	Door, frzr, white, complete assy
12	240415203	A B - - - -	Label-nameplate, bisque
12	240415201	- - C D E F	Label-nameplate, white
13	240312407	A B - - - -	Door Stop, bisque, ref
13	240312403	- - C D E F	Door Stop, white, ref
13A	240312408	A B - - - -	Door Stop, bisque, frzr
13A	240312404	- - C D E F	Door Stop, white, frzr
14	240494002	A B - - - -	Plug-button, bisque
14	240494001	- - C D E F	Plug-button, white
15	240412602	A B - - - -	Door, refr, bisque, complete assy
15	240412601	- - C D E F	Door, refr, white, complete assy
18	218668004	A B - - - -	Handle-door, bisque
18	218668001	- - C D E F	Handle-door, white
21	240383401	A B C D E F	Screw, truss hd quad, #10-16 x .500
21C	218252200	A B C D E F	Screw, #8 truss hd, 10-32CA x 0.500
22	240527101	A B C D E F	Bearing-hinge, natural color
37	215870633	A B - - - -	Trim-handle, 2.47", bisque, w/satin AL band
37	215870629	- - C D E F	Trim-handle, 2.47", white, w/satin AL band

CABINET

Model Index: A FRT8B5E (FRT8B5EQB)
 B FRT8B5E (FRT8B5EQC)
 C FRT8B5E (FRT8B5EWB)
 D FRT8B5E (FRT8B5EWC)
 E FRT8B5E (FRT8B5EZB)
 F FRT8B5E (FRT8B5EZC)

POS. NO	PART NO.	A	B	C	D	E	F	DESCRIPTION
1	241652301	A	B	C	D	E	F	Cover-fan
2	240367001	A	B	C	D	E	F	Knob-damper control
3	5303001028	A	B	C	D	E	F	Nut, push-on
4	241523701	A	B	C	D	E	F	Damper-fan cover
5 #	5308000010	A	B	C	D	E	F	Fan Blade, red, evaporator fan
8	5300157666	A	B	C	D	E	F	Bushing-motor mtg, (2)
9	5303292396	A	B	C	D	E	F	Bracket-motor mtg, front
10	241652210	A	B	C	D	E	F	Cover-evap coil
10*	240568601	A	B	C	D	E	F	Seal-coil cover
10*	241520701	A	B	C	D	E	F	Harness-wiring, freezer
11	5303208309	A	B	C	D	E	F	Plug-hole, factory test
12	241557601	A	B	C	D	E	F	Plug-ice maker harness, rectangular
12A	240374401	A	B	C	D	E	F	Plug-wtr inlet tube, round, 1"
12A*	241586701	A	B	C	D	E	F	Plug-foam-wtr-inlet, round
13	240369702	A	B	C	D	E	F	Motor-evap fan
13*	215474201	A	B	C	D	E	F	Washer, "slinger", nylon, evap fan shaft
13*	218931001	A	B	C	D	E	F	Clamp-motor wiring, nylon, w/adhesive tape
14	5303292397	A	B	C	D	E	F	Bracket-motor mtg, rear
14*	240433201	A	B	C	D	E	F	Screw, hex washer head, 8-18 x 0.375
21C	218252200	A	B	C	D	E	F	Screw, #8 truss hd, 10-32CA x 0.500
22	215774919	A	B	-	-	-	-	Plug-button, bisque, upr hinge holes
22	215774901	-	-	C	D	E	F	Plug-button, white, upr hinge holes
30	240314001	A	B	C	D	E	F	Bracket-lower hinge, zinc
34	240311303	A	B	C	D	E	F	Washer, hinge, nylon, (2)
35	240313801	A	B	C	D	E	F	Bracket-ctr hinge, zinc
35A	240336802	A	B	C	D	E	F	Spacer-hinge, center
36	240516401	A	B	C	D	E	F	Pin-center hinge
37	241611304	A	B	-	-	-	-	Trim-cabinet corner, bisque, (2)
37	241611301	-	-	C	D	E	F	Trim-cabinet corner, white, (2)
38	240313701	A	B	C	D	E	F	Bracket-upper hinge
40	240354403	A	B	-	-	-	-	Cover-upper hinge, bisque
40	240354401	-	-	C	D	E	F	Cover-upper hinge, white
41	5308009759	A	B	C	D	E	F	Grommet, shelf mtg, 1.25", LH, (4)
42	240578901	A	B	C	D	E	F	Screw-hinge mtg, hex head, 1/4-20 x 5/8
43	241559602	A	B	C	D	E	F	Roller Assy, fixed, front LH
43*	241559601	A	B	C	D	E	F	Roller Assy, fixed, front RH
56	240516501	A	B	C	D	E	F	Pin-lower hinge
58	5303001343	A	B	C	D	E	F	Screw, hex washer head, 8-15A x 0.500
59	240442701	A	B	C	D	E	F	Screw-#10-32 X 3/4, zinc
72	240368206	A	B	-	-	-	-	Grille/Kickplate, bisque
72	240368205	-	-	C	D	E	F	Grille/Kickplate, white
81	5308016566	A	B	C	D	E	F	Screw, hex washer head, 8-15A x 0.625, low profile
82	5304418225	A	B	C	D	E	F	Roller, compressor base, rear, (2)
83	5303316859	A	B	C	D	E	F	Rivet, flat head, 1/4 OD x 1-3/4, roller pin
92	241624301	A	B	C	D	E	F	Screw-hinge mtg, hex head, 1/4-20 x 1.00
*	240479601	A	B	C	D	E	F	Plug, button, cab liner holes
*	5304414035	A	B	-	-	-	-	Paint, touch-up, bisque
*	5303321319	-	-	C	D	E	F	Paint, touch-up, white

SHELVES



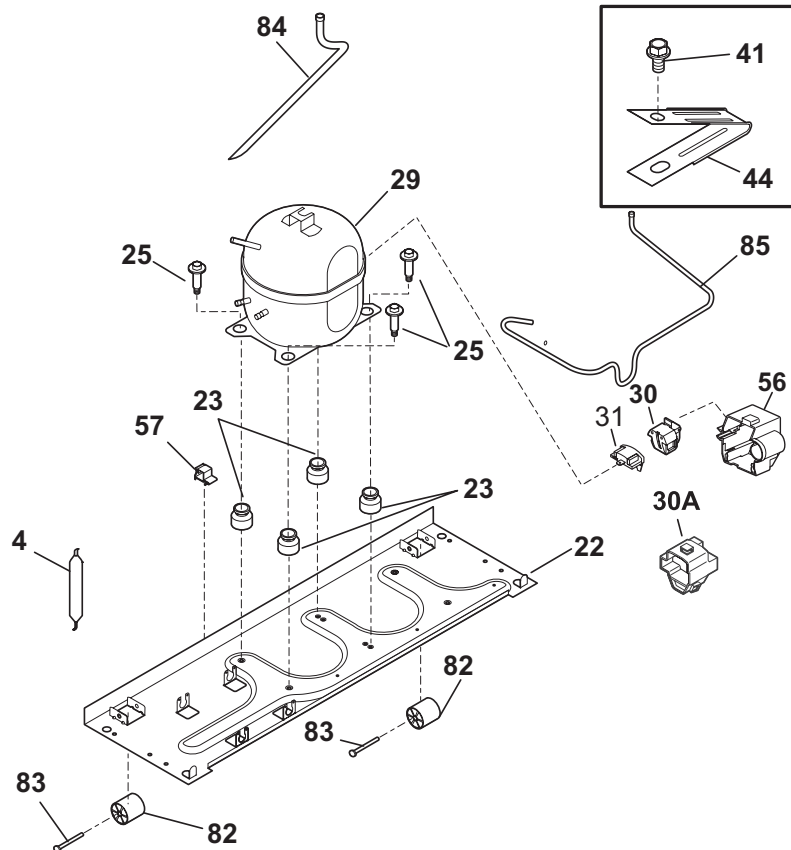
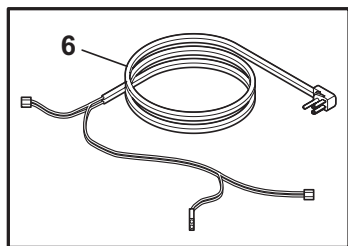
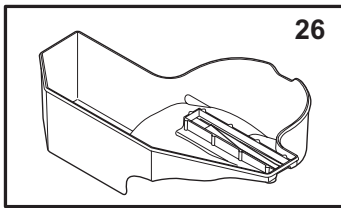
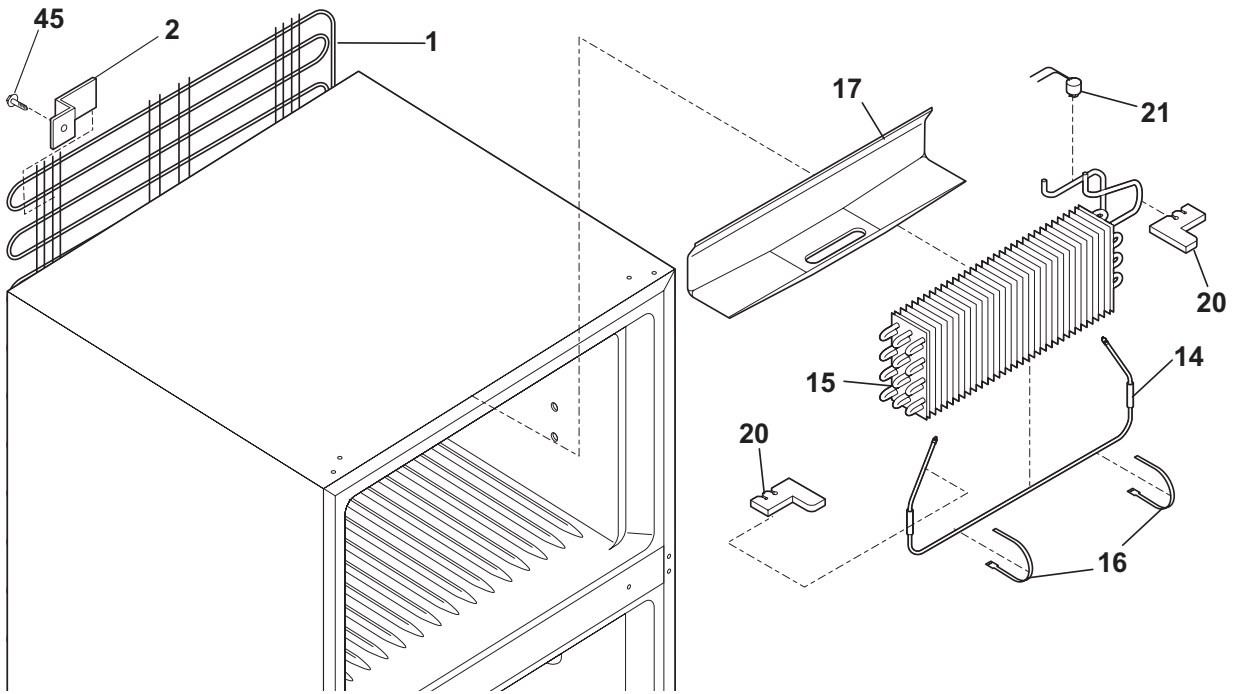
N05SADDEA5

SHELVES

Model Index: A FRT8B5E (FRT8B5EQB)
 B FRT8B5E (FRT8B5EQC)
 C FRT8B5E (FRT8B5EWB)
 D FRT8B5E (FRT8B5EWC)
 E FRT8B5E (FRT8B5EZB)
 F FRT8B5E (FRT8B5EZC)

POS. NO	PART NO.		DESCRIPTION
11	5303282284	A B C D E F	Shelf-freezer, "table type"
12	241542001	A B C D E F	Diffuser, air, top
13	240362601	A B C D E F	Diffuser, air, bottom
14 #	241554901	A B C D E F	Switch-light/lamp
15	241555401	A B C D E F	Light Bulb
16	241559801	A B C D E F	Socket-light
17	240352701	A B C D E F	Control Box
17*	240568607	A B C D E F	Seal
17*#	240388701	A B C D E F	Wiring Harness, control box
18	240360801	A B C D E F	Knob, temp control
21	5304421256	A B C D E F	Control, temperature
22A	240468201	A B C D E F	Tube, sensor sleeve, 31 inch, plastic, white
23 #	241621501	A B C D E F	Timer-defrost
23*	5303001259	A B C D E F	Screw-timer mtg, pan hd, 6-20 x 0.438, (2)
24	240360905	A B C D E F	Shelf, sliding, wire
25	240364713	A B C D E F	Cover-crisper pan, with beam, humid cont
25C	241613502	A B C D E F	Control-humidity, LH
26	240337107	A B C D E F	Pan-crisper, clear, (2), no graphics
47	240350608	A B C D E F	Insert-pan cover, 23.82" x 15.50", glass
81	5308016566	A B C D E F	Screw, hex washer head, 8-15A x 0.625, low profile

SYSTEM



N05CBBBAC4

SYSTEM

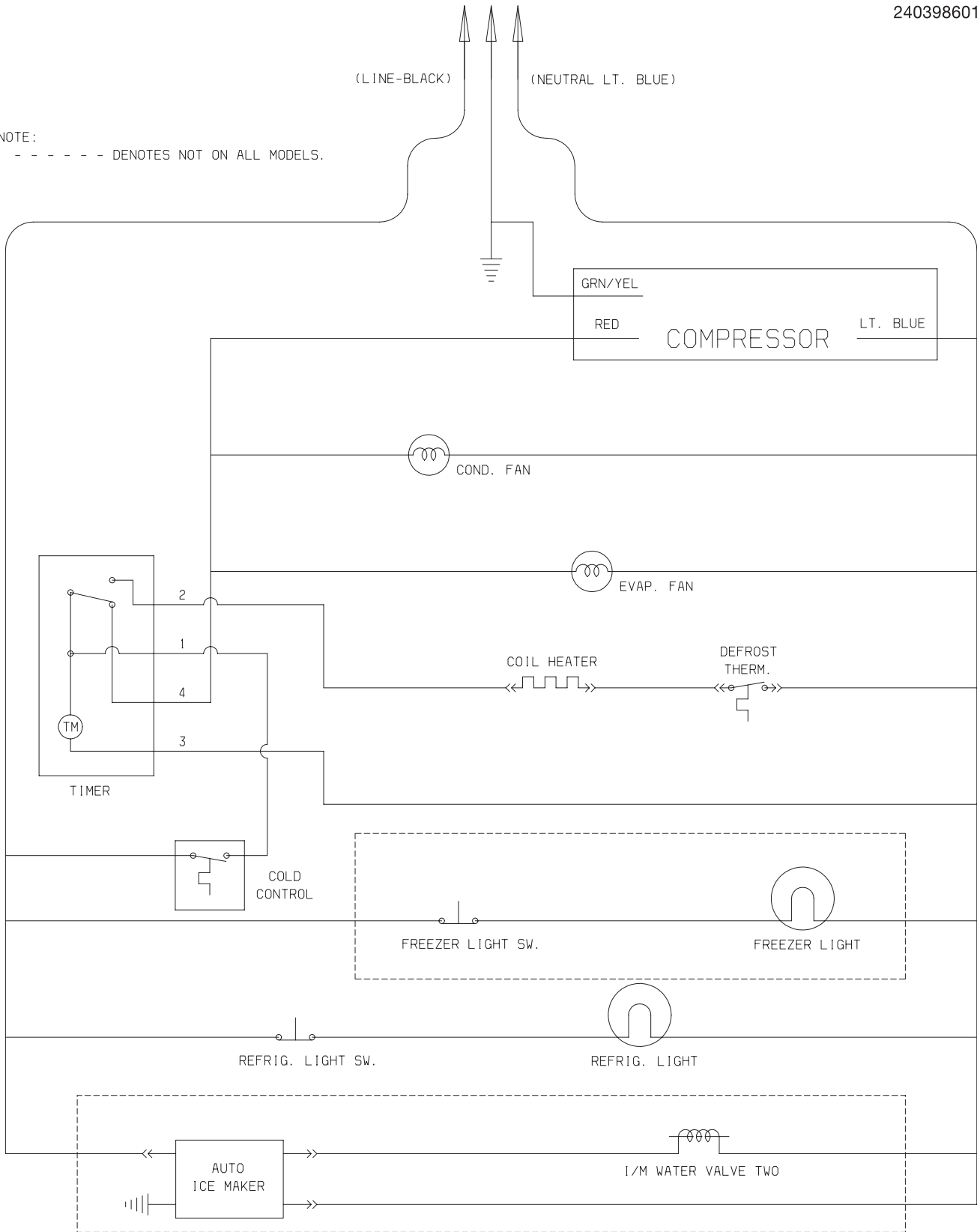
Model Index: A FRT8B5E (FRT8B5EQB)
 B FRT8B5E (FRT8B5EQC)
 C FRT8B5E (FRT8B5EWB)
 D FRT8B5E (FRT8B5EWC)
 E FRT8B5E (FRT8B5EZB)
 F FRT8B5E (FRT8B5EZC)

POS. NO	PART NO.		DESCRIPTION
1 #	241674102	A B C D E F	Condenser, static
1*	240405201	A B C D E F	Grommet, rubber, black, cond tube/wire
1*	5303208866	A B C D E F	Spacer, condenser tube, black
2	241658801	A B C D E F	Bracket, condenser mtg
4 #	218944001	A B C D E F	Drier-filter, R134a System
6	240581601	A - C - E -	Harness-wiring, machine compt
6	241678801	- B - D - F	Harness-wiring, machine compt
6*	240581801	A - C - E -	Harness-wiring, compressor
6* #	240388701	A B C D E F	Wiring Harness, control box
6* #	241520701	A B C D E F	Harness-wiring, freezer
14 #	240356214	A B C D E F	Heater-defrost
15 #	5303918274	A B C D E F	Evaporator Kit
16	5308000110	A B C D E F	Strap-evap/heater, aluminum, (2)
17	241551801	A B C D E F	Trough-drain
20	241551901	A B C D E F	Insulation Block
21 #	5303918202	A B C D E F	Thermostat-defrost, kit
22	241665501	A B C D E F	Base-compressor
22*	218252200	A B C D E F	Screw, #8 truss hd, 10-32CA x 0.500
23	218513300	A B C D E F	Grommet-compr mtg, (4)
25	240491502	A B C D E F	Screw-compressor mtg, 1/4-28 x 1.16, (4)
26	240598501	A B C D E F	Pan-defrost drain
26*	5303307896	A B C D E F	Thermal Mastic
29	5303918297	A - C - E -	Compressor, w/electricals
29	5303918326	- B - D - F	Compressor, w/electricals
30	5304433579	A - C - E -	Relay
30A	241667501	- B - D - F	Relay Combo
31	5304433578	A - C - E -	Overload Protector
41	240433202	A B C D E F	Screw, hex washer head, 8-18 x 5/16
44	5303001199	A B C D E F	Clamp-wiring harness, strain relief, galv steel
45	5308016566	A B C D E F	Screw, hex washer head, 8-15A x 0.625, low profile
56	240582001	A - C - E -	Cover-terminal
57	240542601	A B C D E F	Clip-wiring harness
82	5304418225	A B C D E F	Roller, compressor base, rear, (2)
83	5303316859	A B C D E F	Rivet, flat head, 1/4 OD x 1-3/4, roller pin
84	241505701	A B C D E F	Tube-drain, lower
85	241544301	A B C D E F	Tube-connector, suction
*	240396801	A B C D E F	Clamp, tube/wiring, nylon, black/natural
*	5303918234	A B C D E F	Hot Tube Repair Kit, service
*	5303918263	A B C D E F	Heat Exchanger Kit, suction line

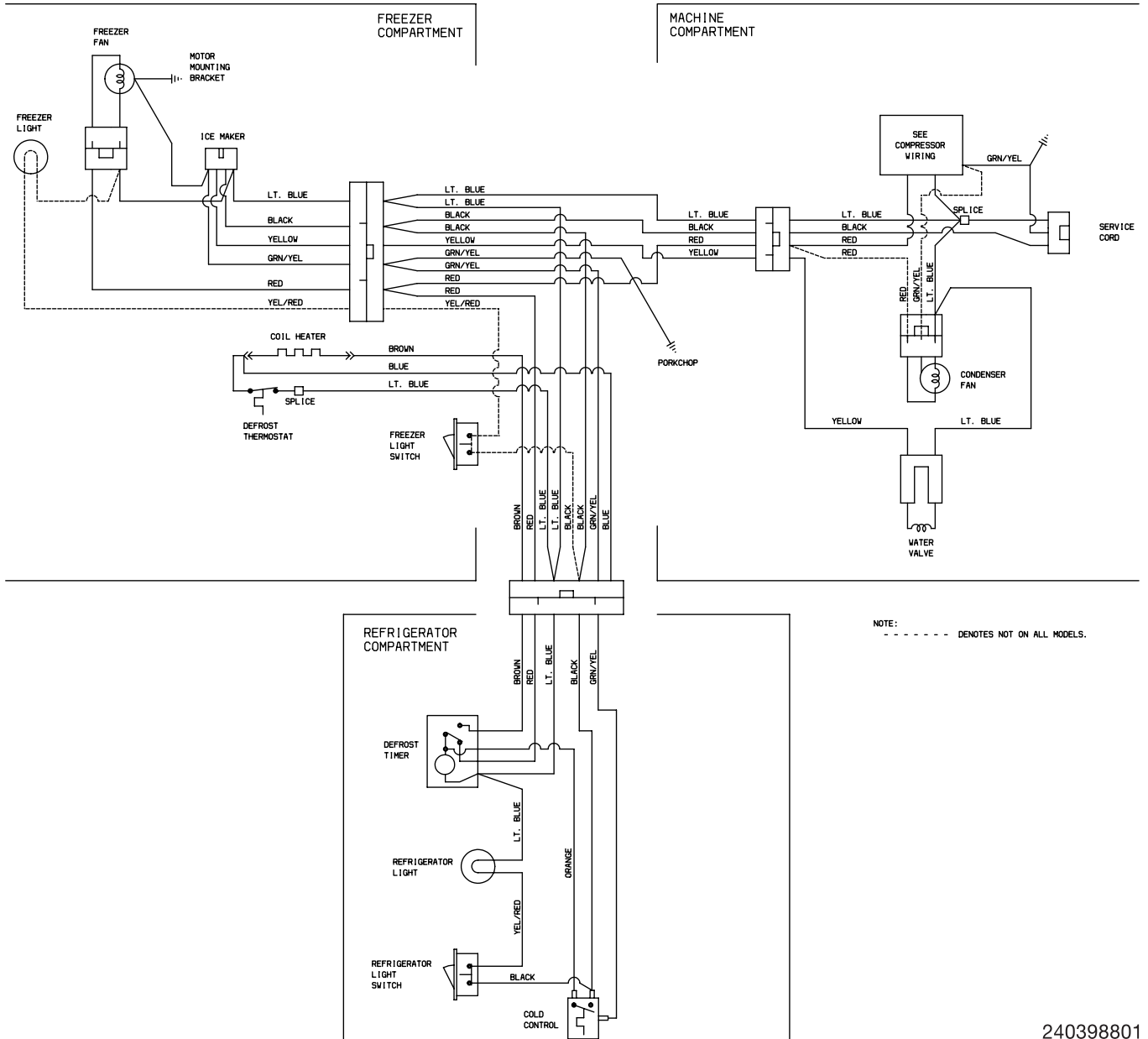
WIRING SCHEMATIC

240398601

NOTE:
- - - - - DENOTES NOT ON ALL MODELS.



WIRING DIAGRAM



240398801