

*Frigidaire*

Factory Parts Catalog

Product No.	FAC124P1A1	FAC124P1A2	FAC124P1A3	FAC124P1A4	FAC124P1A5	FAC124P1A6
Series	ROOM AIR	ROOM AIR	ROOM AIR	ROOM AIR	ROOM AIR	ROOM AIR
Color	white	white	white	white	white	white
Volts	115	115	115	115	115	115
BTU-Cooling	12,000BTU	12,000BTU	12,000BTU	12,000BTU	12,000BTU	12,000BTU
Owner's Guide	220201d011	220201d011	220201d011	220201d011	220201d011	220201d011
Installation Instructions	COMINSTALLEN	COMINSTALLEN	COMINSTALLEN	COMINSTALLEN	COMINSTALLEN	COMINSTALLEN
Market	North America	North America	North America	North America	North America	North America



Electrolux Major Appliances  
 North & Latin America  
 P.O. BOX 212378  
 AUGUSTA, GA 30917

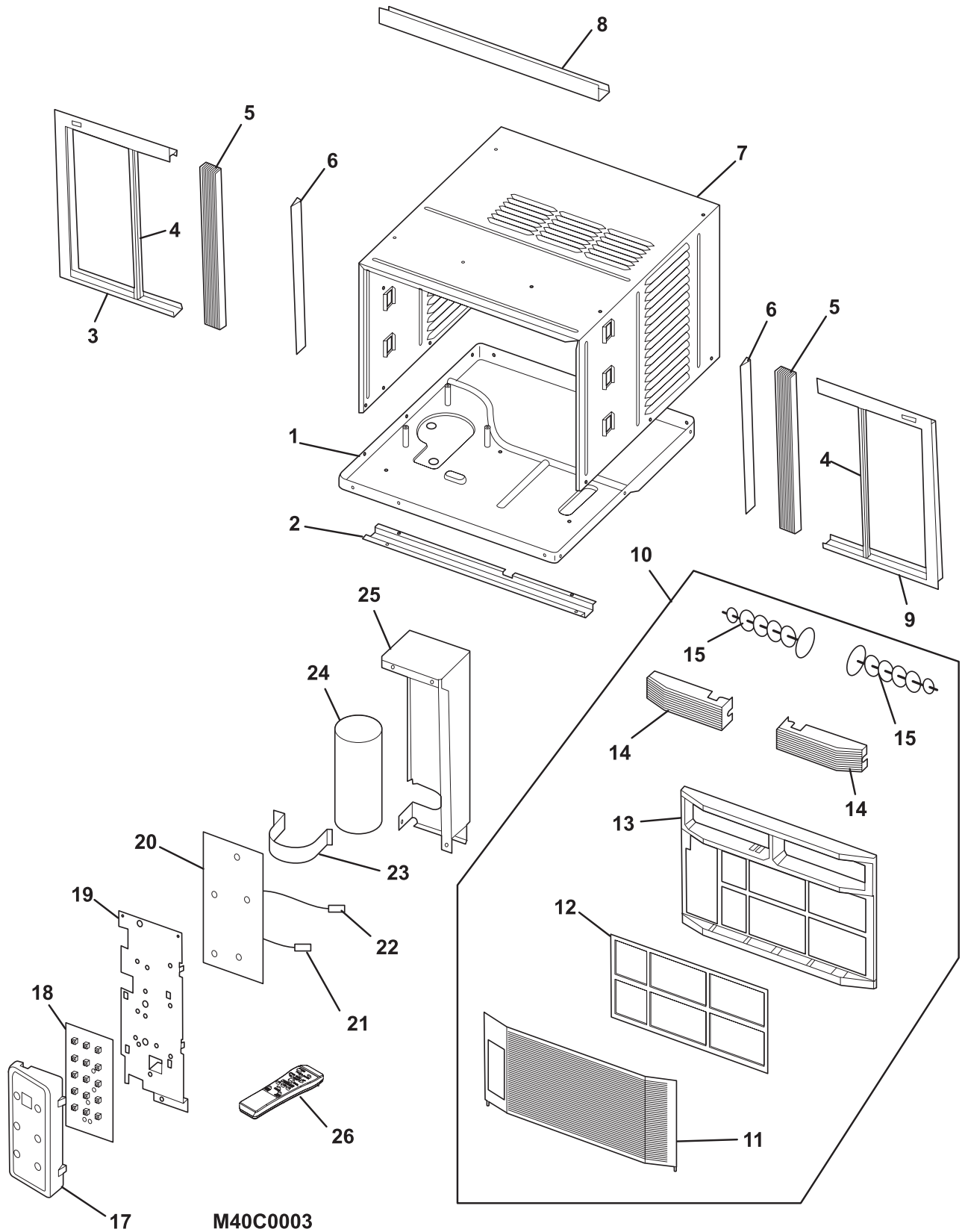
Publication No.  
**5995437075**  
 05/05/18  
 (EN/SERVICE/WC)  
 099

**ROOM AIR  
 CONDITIONER**

**Model No.  
 FAC124P1**

Copyright © 2005 Electrolux Home Products, Inc.  
 All rights reserved.

### CABINET, FRONT, CONTROLS

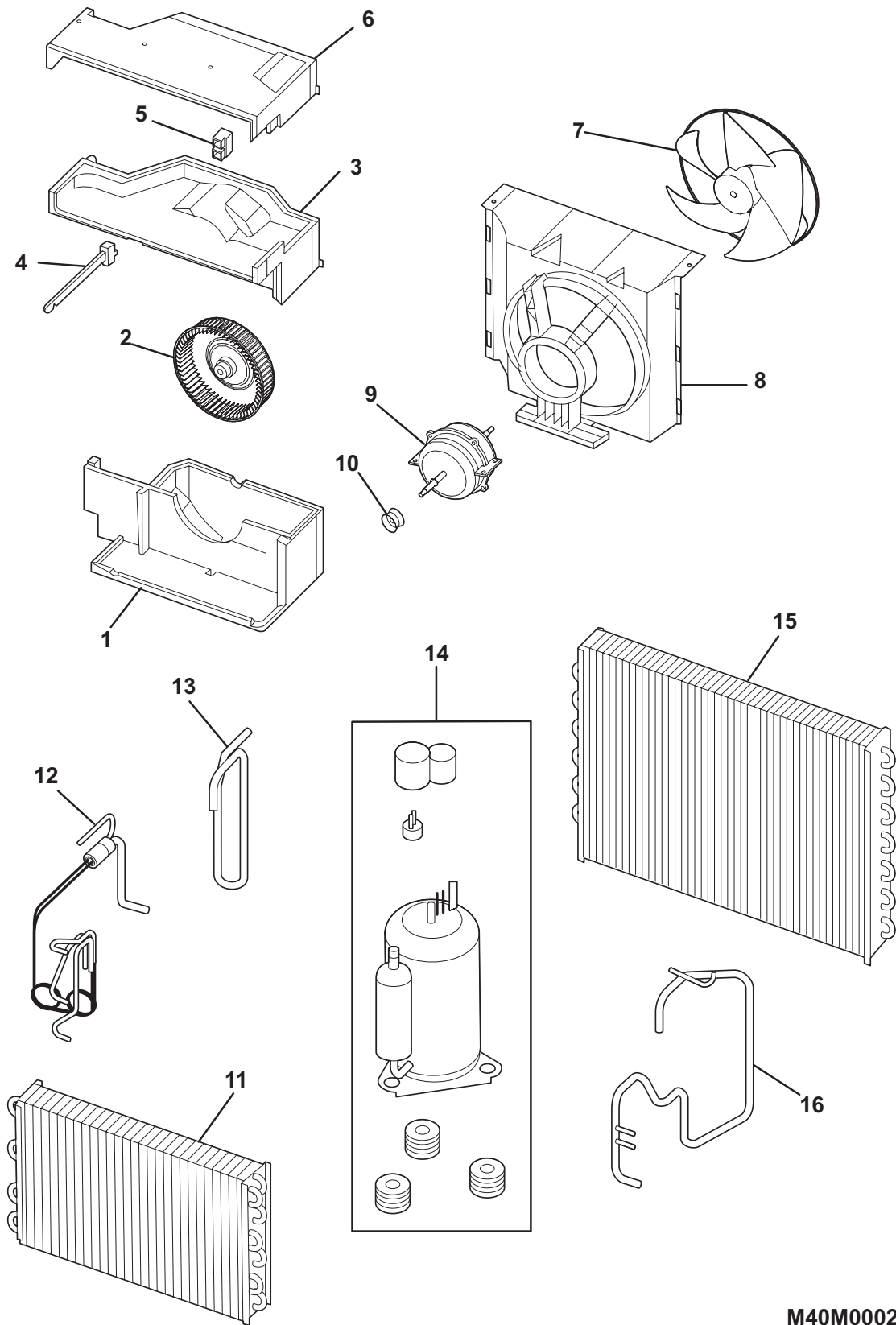


**CABINET, FRONT, CONTROLS**

*Model Index:* A FAC124P1A (FAC124P1A1)  
 B FAC124P1A (FAC124P1A2)  
 C FAC124P1A (FAC124P1A3)  
 D FAC124P1A (FAC124P1A4)  
 E FAC124P1A (FAC124P1A5)  
 F FAC124P1A (FAC124P1A6)

POS. NO	PART NO.		DESCRIPTION
1	5304436522	A B C D E F	Base, unit chassis
2	5304436523	A B C D E F	Rail, shutter track, bottom
3	5304436544	A B C D E F	Frame, shutter panel, LH
4	5304436545	A B C D E F	Retainer, shutter lock
5	5304436546	A B C D E F	Shutter, accordion panel
6	5304436547	A B C D E F	Retainer, shutter mount, cabinet sides
7	5304446442	A B C D E F	CABINET, WRAPPER/SLEEVE
8	5304436549	A B C D E F	Rail, shutter track, top
9	5304436550	A B C D E F	Frame, shutter panel, RH
10	5304436599	A B C D E F	Front Assembly, complete panel, includes
11	5304436551	A B C D E F	Panel, front grille, tilt-out
12	5304436552	A B C D E F	Filter, air, plastic frame
13	5304436553	A B C D E F	Frame, front assembly
14	5304436554	A B C D E F	Louver, horizontal
15	5304446443	A B C D E F	LOUVRES, VERTICAL
17	5304436536	A B C D E F	Enclosure, control, pcb display
17*	5304436537	A B C D E F	Control Panel, display, electronic
18 #	5304436534	A B C D E F	PC Board, display/input
19	5304446441	A B C D E F	PANEL, CTRL MTG BOARD
20 #	5304436531	A B C D E F	PC Board, control/power
21 #	5304436543	A B C D E F	Sensor, ambient temp
22 #	5304436542	A B C D E F	Sensor, evap temp, defrost
23	5304436530	A B C D E F	Strap, capacitor mtg.
24 #	5304436526	A B - - - F	Capacitor
24 #	5304436525	- - C D E -	Capacitor
25	5304436524	A B C D E F	Control Box
26 #	5304436595	A B C D E F	Remote Control, transmitter

**COOLING & AIR FLOW SYSTEMS**



**M40M002**

**COOLING & AIR FLOW SYSTEMS**

*Model Index:* A FAC124P1A (FAC124P1A1)  
 B FAC124P1A (FAC124P1A2)  
 C FAC124P1A (FAC124P1A3)  
 D FAC124P1A (FAC124P1A4)  
 E FAC124P1A (FAC124P1A5)  
 F FAC124P1A (FAC124P1A6)

POS. NO	PART NO.		DESCRIPTION
1	5304436556	A B C D E F	Scroll, blower housing, bottom, w/drain tray
2 #	5304436557	A B C D E F	Blower Wheel, centrifugal fan
3	5304436559	A B C D E F	Scroll, blower housing, top
4	5304436558	A B C D E F	Door, fresh air vent, with lever
5	5304436564	A B C D E F	Guide, vent door/lever
6	5304436565	A B C D E F	Cover, blower scroll, top
7 #	5304436563	A B C D E F	Fan Blade, propeller, axial flow
8 #	5304436562	A B C D E F	Shroud, fan housing
9 #	5304441406	A - - D - -	Motor, fan
9	5304446455	- B - - E -	Motor-fan
9 #	5304441405	- - C - - F	Motor, fan
10	5304436560	A B C D E F	Seal, fan motor, rubber ring, water proof
11 #	5304436566	A B C D E F	Evaporator
12	5304446465	A B C D E F	CAPILLARY TUBE ASSY
13	5304446464	A B - - - F	Discharge Tube
13	5304446466	- - C D E -	Discharge Tube
14	5304446463	A B - - - F	COMPRESSOR ASSY, W/OVERLOAD
14 #	5304437081	- - C D E -	Compressor Assy
15 #	5304436572	A B - - - F	Condenser
15	5304446452	- - C D E -	Condenser
16	5304446462	A B - - - F	Suction Tube
16 #	5304436569	- - C D E -	Suction Tube
*	5304446449	A B C D E F	CORD, ELECTRIC SERVICE

WIRING DIAGRAM

2202019160

