



FRIGIDAIRE

Factory Parts Catalog

Product No.	FFGF3054TSD
Series	30" f/s gas
Color	stainless
Market	North America
Owner's Guide	808528103
Installation Instructions	316903004
Service Data Sheet	808533108

Frigidaire

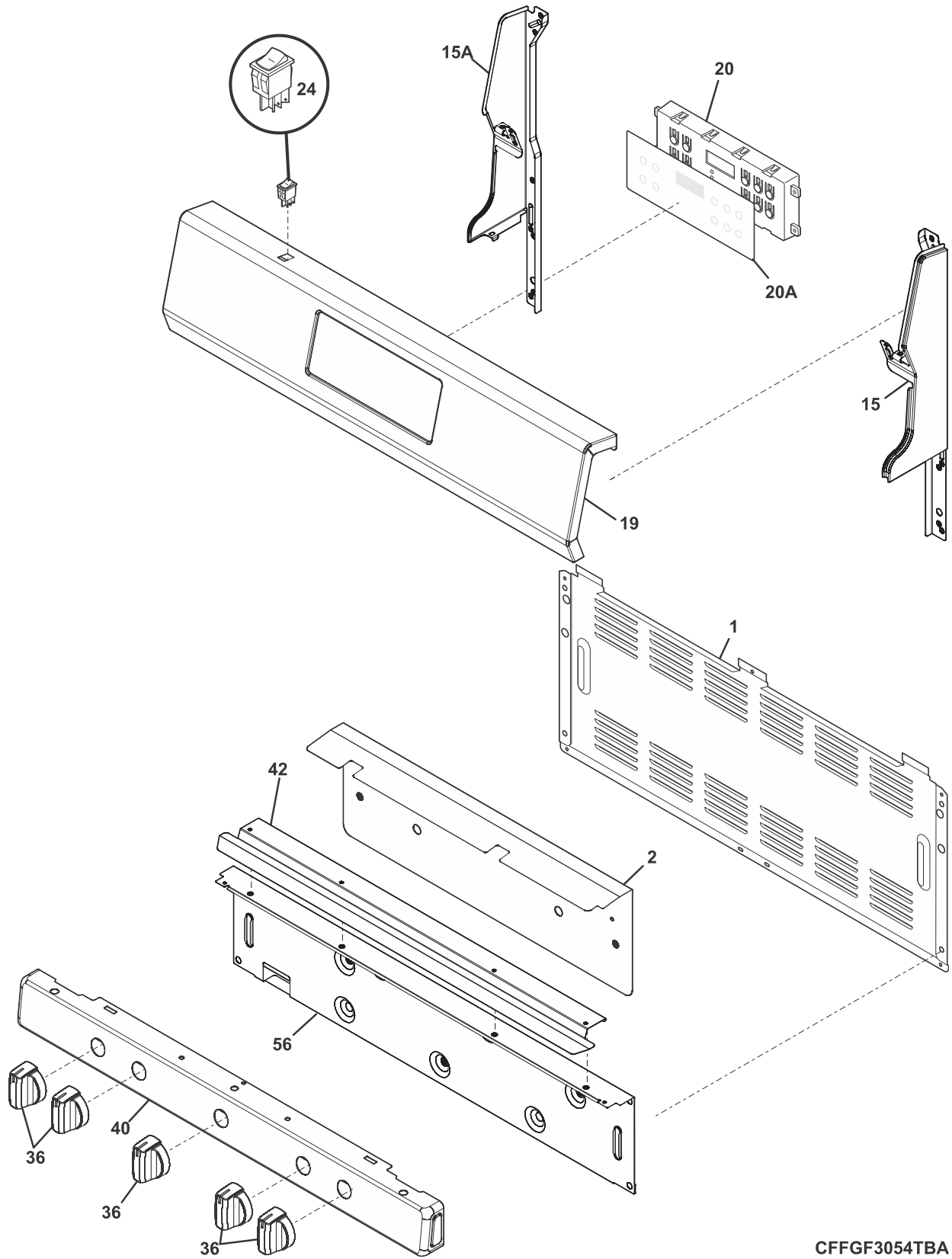
P.O. BOX 8020
CHARLOTTE, NC 28262

Publication No.
5995709770
18/11/06
(EN/SERVICE/)
369

30-INCH FREE- STANDING GAS RANGE

Model No.
FFGF3054T

BACKGUARD



CFFGF3054TBA

BACKGUARD

POS. NO	PART NO.	DESCRIPTION
1	316281801	Shield, backguard, rear wall
2	5304508980	Shield, backguard, inner
15	5304493644	Cap, end, black, RH
15A	5304493646	Cap, end, black, LH
19	5304508960	Panel, backguard
20 #	5304516117	Control, ES300, gas
20A	316419145	Overlay, clock, black, ES300
24 #	5304515139	Switch, rocker, black, oven light
36	5304507386	Knob, top valve, black
40	316606123	Panel-manifold, stainless
*	316021108	Screw, cup pt, 8-18 x 0.375, chrome
*	316021109	Screw, 8-18 x 0.5, chrome
42	808754601	Deflector, backguard
56	316230708	Shield, backguard, inner
*	316021105	Screw, hex head cup pt, 8-18 x 0.375, black
*	316089500	Screw, 10-16 x .486

BURNER

POS. NO	PART NO.	DESCRIPTION
1 #	5304513540	Manifold, pipe
2 #	5304506550	Valve, top burner, white stem, 1500BTU
2A #	5304506547	Valve, top burner, black stem, 500BTU
2B #	5304506549	Valve, top burner, blue stem, 1125BTU
2C #	5304506548	Valve, top burner, green stem, 850BTU
*	316215600	Screw, valve mtg., 1/4 - 20
3 #	5304510486	Harness, ignition
8 #	808608804	Spark Module
8* #	5304494425	Harness, ignitor module
8* #	5304505563	Wire, ground, spark module, w/connector
10 #	316438400	Burner, sealed, 18.2K
10A#	316438200	Burner, sealed, 5K
10B#	316438000	Burner, sealed, 12K
10C#	316558300	Burner, sealed, 9.5K
11 #	316536622	Ignitor/orifice assy ., top burner, right front, 17K, w/tube & holder
11A#	316536610	Ignitor/orifice assy., top burner, right rear, 5K, w/holder, tube
11B#	316536612	Ignitor/orifice assy., top burner, left rear, 12K, w/holder, tube
11C#	316536602	Ignitor/orifice assy., top burner, left front, 9.5K, w/holder, tube
11D#	316536623	Ignitor/orifice assy., top burner, center, 9.5K, w/holder & tube
12	316540900	Screw, burner, head mtg, (8)
13	316489101	Tube-manifold supply
14 #	316091711	Regulator, pressure
14*	316021104	Screw, hex, 8-18 x 3/8, nick, (3), regulator brkt
15	316091600	Bracket, regulator
16	5304507348	Tube, valve-regulator, 3/8
17 #	316031501	Valve, safety
17*	316498100	Shield, wire, safety valve
18 #	316404400	Burner, oven
19 #	5304508786	Ignitor, bake
20	5304519024	Baffle, oven burner
21	5303013272	Nut, hex head sems
22	5304507768	Tube, valve-mixer, 3/8
23 #	316404302	Burner, broiler
24 #	316409700	Elbow, mixer
*	297174300	Screw, self pierce, #8, 18x.63
25	5304497666	Baffle, broiler
26 #	5304506545	Ignitor, broiler
26*	316401500	Cover, broil Ignitor
37	316240600	Screw, assy mtg, (8), ignitor/orifice
44 #	316527509	Orifice, burner, 17K
44A#	316527504	Orifice, burner, 5K
44B#	316527502	Orifice, burner, 12K
44C#	316527500	Orifice, burner, 9.5K
47 #	GRLP4	LP Conversion Kit, w/instructions, Optional, accessory
*	316021105	Screw, hex head cup pt, 8-18 x 0.375, black
*	316021109	Screw, 8-18 x 0.5, chrome
*	316089500	Screw, 10-16 x .486

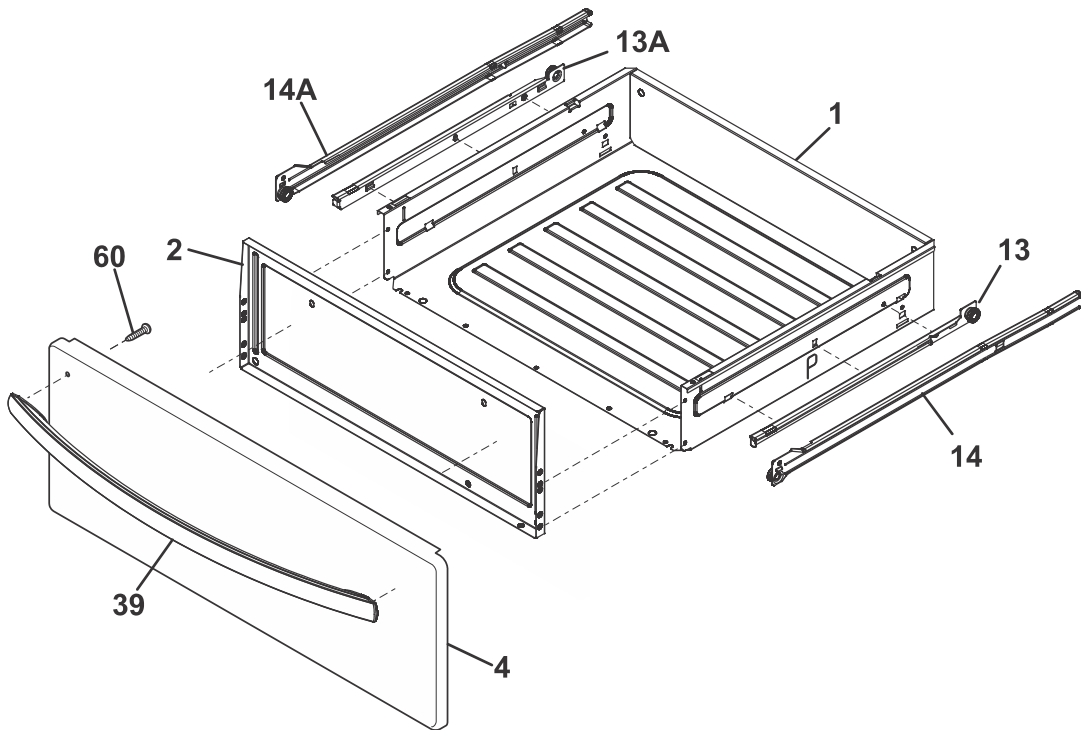
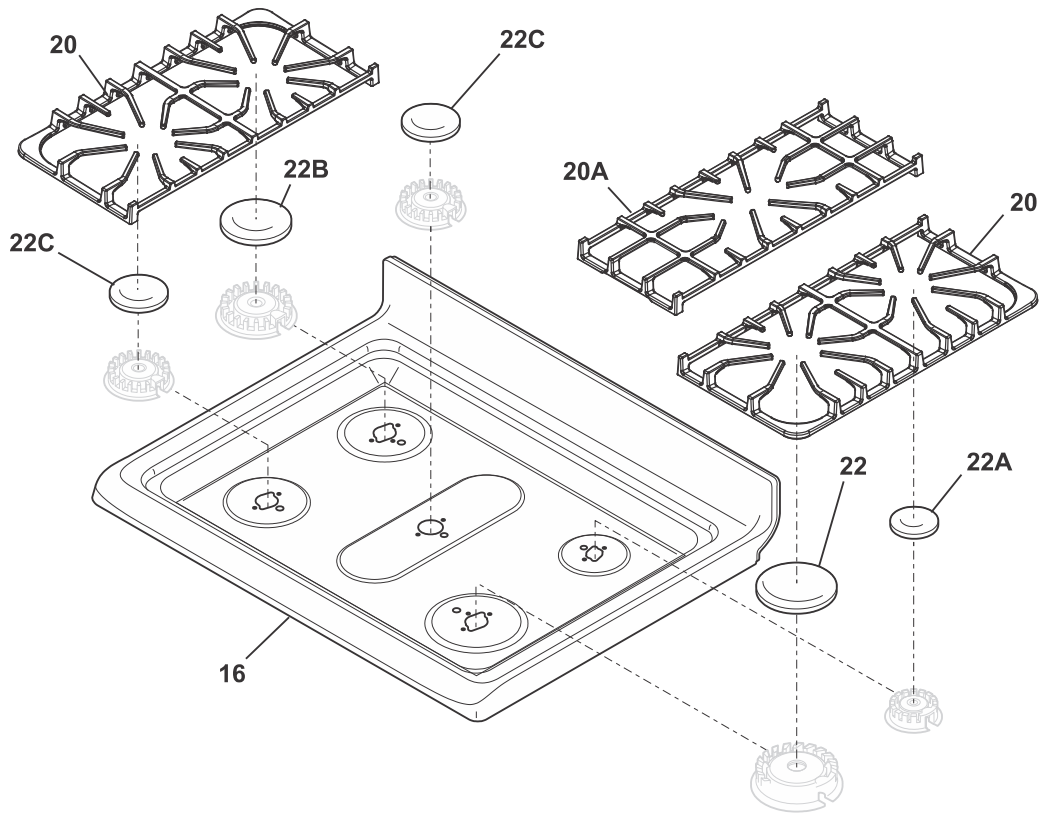
BODY

POS. NO	PART NO.	DESCRIPTION
1	316401606	Back, main
2	316437100	Brace, oven top
*	297174300	Screw, self pierce, #8, 18x.63
3	316400118	Panel, bodyside, black, RH
3	316400119	Panel, bodyside, black, LH
4	316605400	Bracket-maintop, RH
4A	316605401	Bracket-maintop, LH
5	316272900	Screw, leveling, plastic, rear, (2)
5A	5304509869	Leveling Leg Assy, metal, front, (2), bracket & leg
6	316496201	Rack, oven
8	316400603	Panel, oven bottom
9	316081900	Pan, broilerOPTIONAL ACCESSORY
10	316082000	Insert, broiler panOPTIONAL ACCESSORY
12 #	316445501	Switch, oven light, door frame
14 #	316116400	Receptacle, oven light
15 #	316538901	Lamp, oven light
16	318406100	Lens, oven light, glass
17	316087500	Retainer, lens
18	316405800	Latch Assembly, oven door
*	5303285179	Screw, wafer head, 8-32T x 0.500, black, 44*
21	316408000	Clip, bodyside
22	316286300	Bracket-bodyside, (2)
*	316279600	Screw, bracket, stiffener, (4)
25	316406200	Shield, heat, lower
26A	316498200	Bracket-support, chassis, aluminum
33	316405900	Shield, rear wall
35	316542100	Gasket-flue
36	316208901	Flue
37 #	316490003	Probe, oven temp
39 #	5304515659	Cord, electric power
*	316001003	Screw, ground wire
42	316400700	Shield, wool, lower
43	3131732	Screw, 8-18 x 1.438, oven bottom
44	316517600	Bumper, front, main
54	5304512756	Shield, igniter heat
*	316260800	Screw-shoulder, w/shoulder, #8-18 x 1/2"
55	5304510473	Shield, flue
58A	316403700	Insulation, oven wrapper
58B	316403600	Insulation, oven back
58G	08067973	Insulation, main front
77	316247900	Spacer, power board
77A	316114100	Spacer
82	316400801	Shield, bake burner
86	316441300	Receptacle, hinge
*	316418901	Screw, trilobe, 10-32 x 5/16", black
87	316401202	Bracket, harness
88	316232701	Rod, auto latch
89 #	316464300	Motor-latch
91	807219501	Shield, burner, front
97A#	5304515148	Board, AC detect
151	5304518926	Shield, heat, bodyside, (2)

BODY

POS. NO	PART NO.	DESCRIPTION
170	316112005	Anti Tip Kit, assy, w/template
170*	316107200	Bracket, anti-tip
170*	316116000	Screw, concrete, 1.75", anti-tip brkt
170*	316541700	Template, anti-tip
* #	5304516119	Harness, wiring, main
*	316432800	Clip, wire
*	316021105	Screw, hex head cup pt, 8-18 x 0.375, black
*	316021109	Screw, 8-18 x 0.5, chrome
*	316021132	Screw, 8-18 X 11/16, black, (3)
*	316089500	Screw, 10-16 x .486

TOP/DRAWER

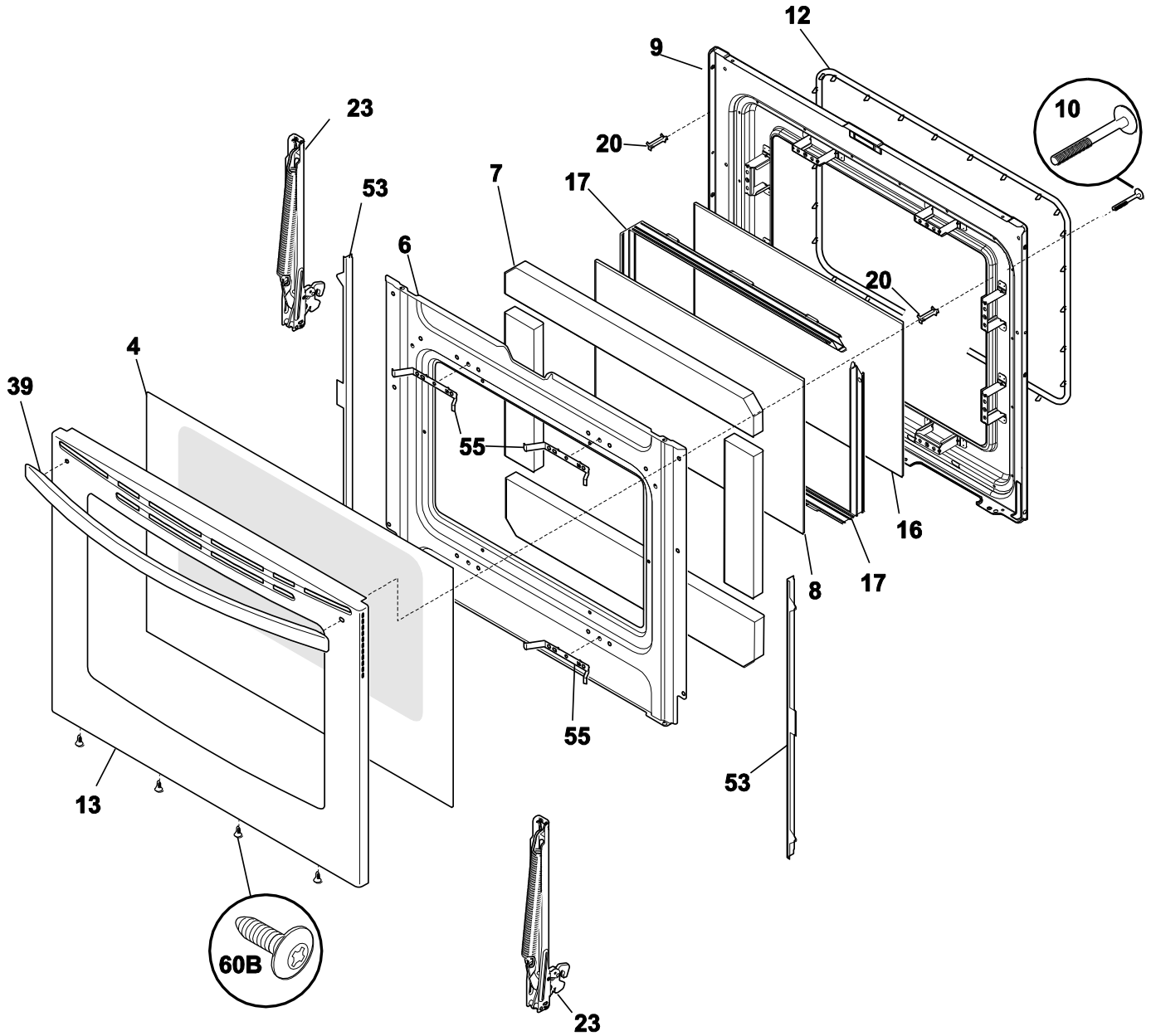


TFFGF3054TSC

TOP/DRAWER

POS. NO	PART NO.	DESCRIPTION
1	316408706	Drawer, utility
2	316403200	Liner, drawer
4	5304510527	Panel, drawer, stainless
13	5304517905	Glide, drawer, black, RH inner
13A	5304517903	Glide, drawer, black, LH inner
14	5304517904	Glide, drawer, black, RH outer
14A	5304517902	Glide, drawer, black, LH outer
16	316610006	Main Top, black
20	807327101	Grate, burner, black, side, (2)
20A	807412601	Grate, burner, black, center
22	316262104	Cap, 17K burner, black
22A	316261704	Cap, 5K burner, matte, black
22B	316261904	Cap, 12K burner, black
22C	316261804	Cap, 9.5K burner, matte, black
39	5304511879	Handle Insert, drawer
*	316021105	Screw, hex head cup pt, 8-18 x 0.375, black
*	316021109	Screw, 8-18 x 0.5, chrome
*	316089500	Screw, 10-16 x .486
*	316418901	Screw, trilobe, 10-32 x 5/16", black

DOOR



D79072903010

DOOR

POS. NO	PART NO.	DESCRIPTION
4	316452754	Glass, oven door, black, w/foil
6	316402314	Shield, wool
*	316021109	Screw, 8-18 x 0.5, chrome
7	316403900	Insulation, oven door
8	316117502	Glass, oven door, heat barrier, inner, HRC2
9	316423807	Liner-oven door
10	316439505	Screw, handle mtg., #10-24 x 2, (2)
12	5304498835	Seal, oven door
13	316604001	Panel, oven door, stainless
17	5304504811	Spacer, glass
20	316284102	Spacer, door handle, (2)
23	316575906	Hinge, oven door
23*	316418900	Screw, sims lp, #8-32 x 5/16", black
39	5304507752	Handle, door, stainless
53	316408101	Shield, filler, door, (2)
55	316408301	Bracket, glass support, (4)
60B	316021110	Screw, 8-18 x 0.5, black
*	316483102	Label, anti-tip
*	316021105	Screw, hex head cup pt, 8-18 x 0.375, black
*	5303285179	Screw, wafer head, 8-32T x 0.500, black, 44*