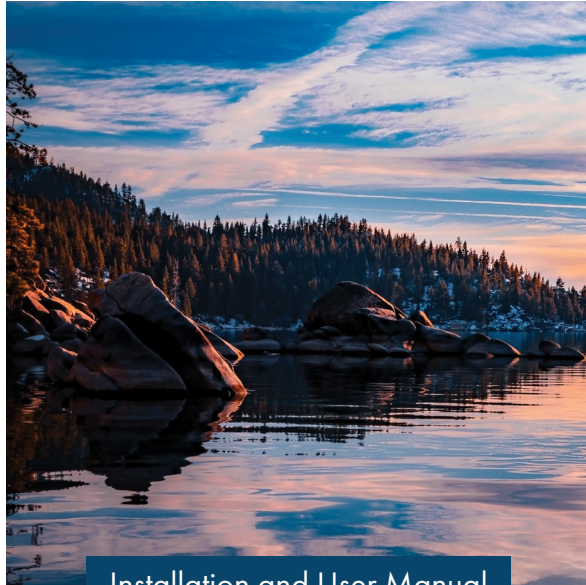


ZLINE

ATTAINABLE LUXURY[®]



PALISADES KITCHEN FAUCETS RBCN1-KF, RBCN2-KF, & RBCN1-FBV MODELS

zlinekitchen.com



ZLINE Kitchen and Bath provides Attainable Luxury, where the kitchen and bath of your dreams is never out of reach. Through our unique designs and unparalleled quality, we're dedicated to providing you an elevated experience in the heart of your home. With an endless selection of features and finishes, our inspiration is your reality.

ZLINE
ATTAINABLE LUXURY®



ZLINE is fueled by a passion for innovation; A relentless pursuit of bringing the highest end luxury designs and professional features into everyone's homes.

Because we continually strive to improve our products, we may change specifications and designs without prior notice.

Scan the QR code to view the most up-to-date version of the **Installation Manual and User Manual.**

⚠ WARNING: This product can expose you to chemicals including nickel, which is known to the State of California to cause cancer. For more information, go to www.P65Warnings.ca.gov.

TABLE OF CONTENTS

- IMPORTANT SAFETY INSTRUCTIONS 1
 - Before Installation 1
 - Operating Conditions 1
 - Parts Included 1
 - Tools Needed 2

- INSTALLATION 3
 - RBCN1-FBV Drink Faucet 3
 - RBCN1-KF Single Handle Faucet. 6
 - RBCN2-KF Single Handle Faucet. 10

- CARE AND MAINTENANCE 14

- TROUBLESHOOTING 15

- WARRANTY 16

IMPORTANT SAFETY INSTRUCTIONS

BEFORE INSTALLATION

- Make sure that the cold and hot water lines are turned off.
- Wrap all threaded connections with plumber's tape. Always wrap in a clockwise direction.
- Cover your drain to avoid losing parts.
- Do not disassemble the main faucet body, as it has been installed and commissioned correctly and precisely before delivery to the factory.
- To keep the faucet from jamming, flush the water pipe before installation.

OPERATING CONDITIONS

- **Working pressure:** 20–125 psi / 0.1–0.9 MPa.*
 - **Water temperature:** 50 °F–149 °F / 10 °C–65 °C.
 - **Sprayer length:** 58" (1473 mm)**
- * Follow local building codes.
** Applicable to the RBCN1-KF and RBCN2-KF only.

INSTALLATION PREPARATION

1. Shut off the water and let the water in the current faucet drain.
 2. Loosen the hardware that keeps the current faucet in place. Remove faucet.
- If soldering the water connections when installing the faucet, remove the O-rings, cartridges, and washers before applying any heat.
 - Protect your eyes when cutting or soldering.
 - Do not over tighten screws/nuts. Finger tighten, then use a wrench/Phillips head screwdriver to tighten the fixing screw/nut until snug.

PARTS INCLUDED

- Aerator wrench
- Allen wrench
- Assembled faucet
- Locking clip

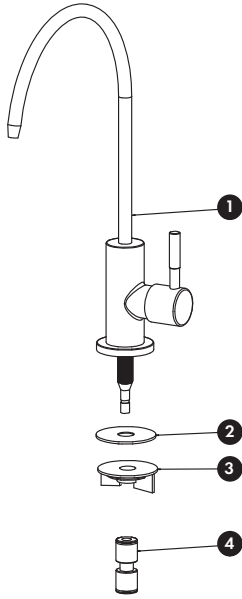
IMPORTANT SAFETY INSTRUCTIONS

TOOLS NEEDED

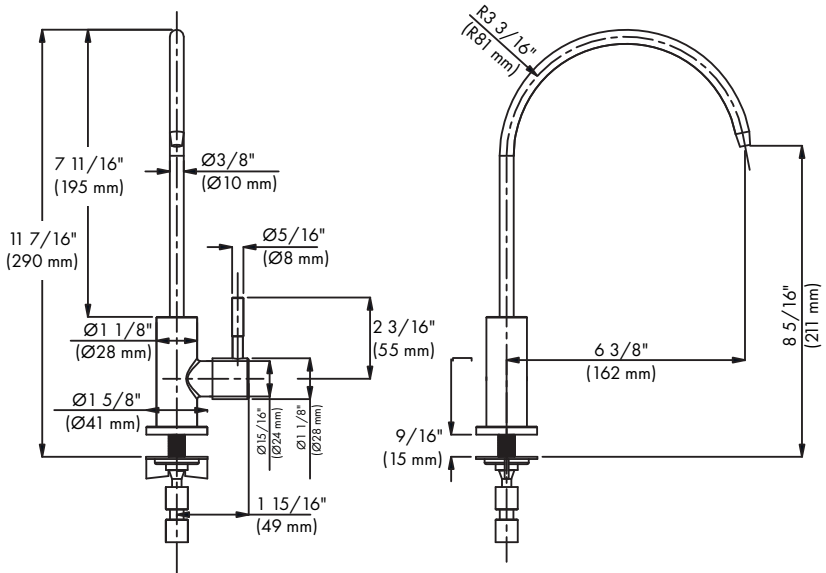
- Adjustable wrench
- Drill/hole saw
- Pencil
- Phillips head screwdriver
- Plumber's tape/thread sealant
- Tape measure

INSTALLATION

RBCN1-FBV DRINK FAUCET

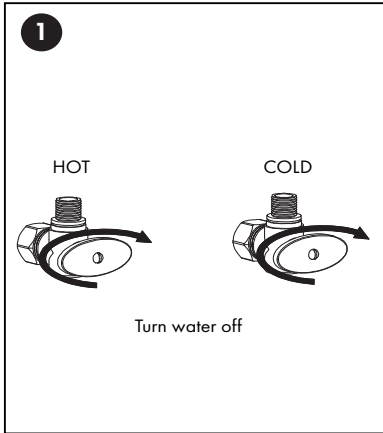


1. Drink faucet assembly
2. Washer
3. Nut
4. Connector

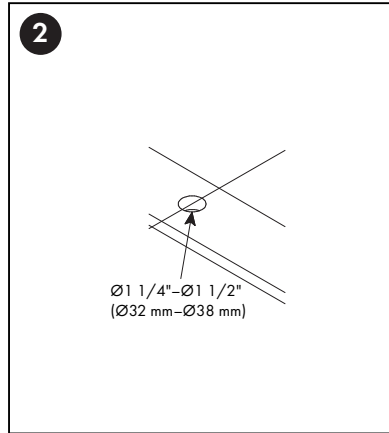


INSTALLATION

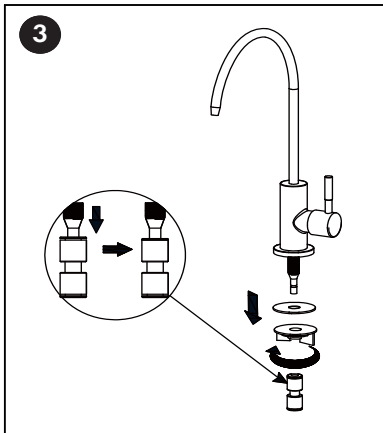
RBCN1-FBV DRINK FAUCET



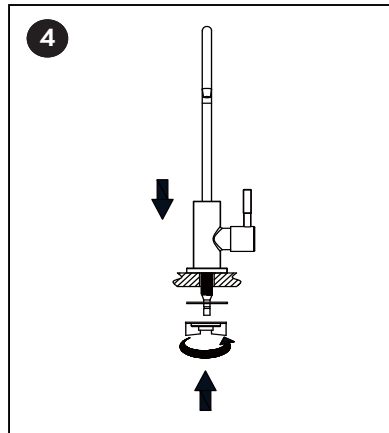
Turn off the hot and cold water at the supply valves.



Use a pencil to mark where the mounting hole will be drilled.



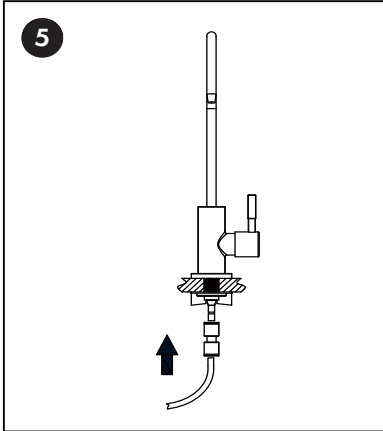
Remove water line connector and mounting hardware from the faucet.



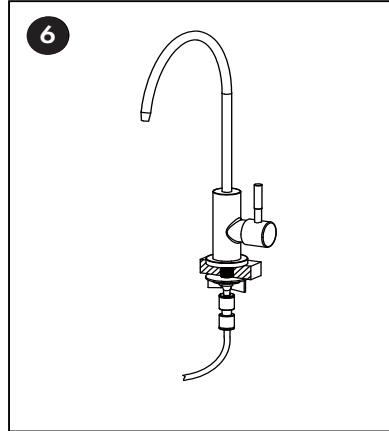
Insert the faucet into the counter and install the washer and nut on to the threads of the faucet. Twist clockwise to tighten but be careful not to over tighten as this may cause damage to the countertop.

INSTALLATION

RBCN1-FBV DRINK FAUCET



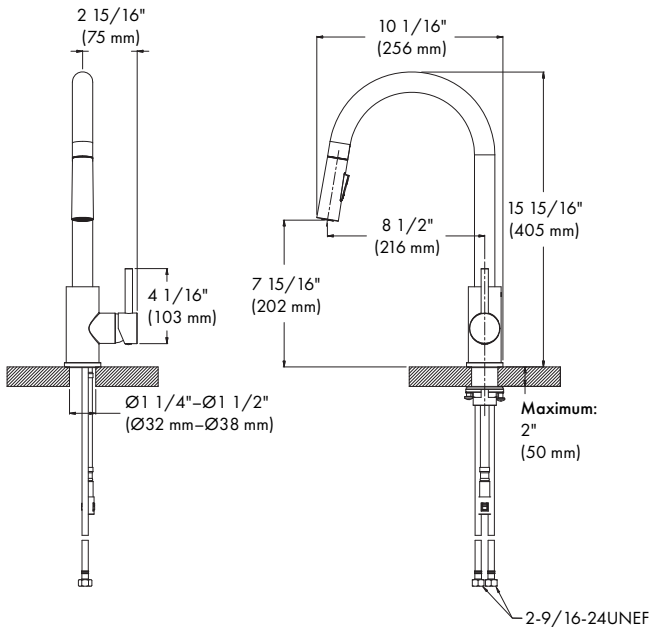
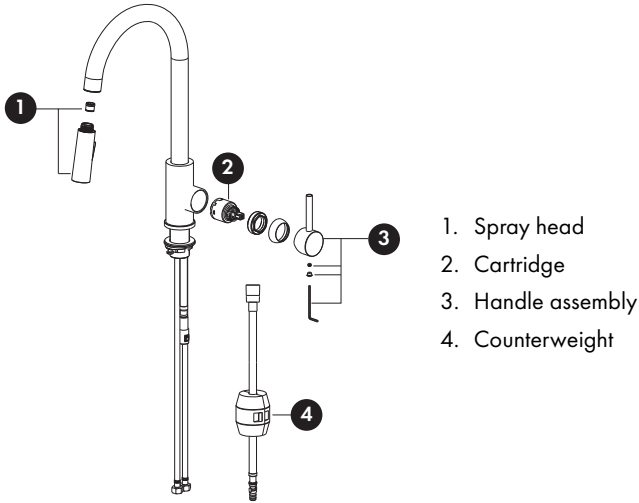
Insert the water line into the connector. Push the line into the connector to lock it in place.



Turn on the water and flush the faucet.

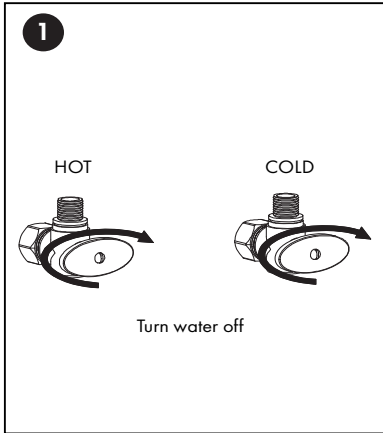
INSTALLATION

RBCN1-KF SINGLE HANDLE FAUCET

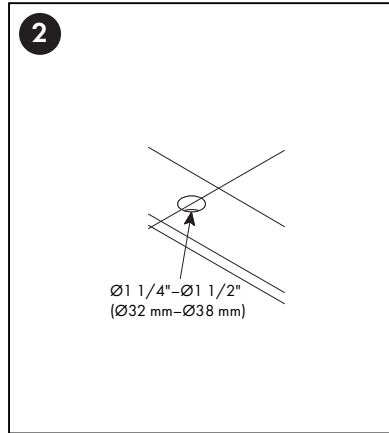


INSTALLATION

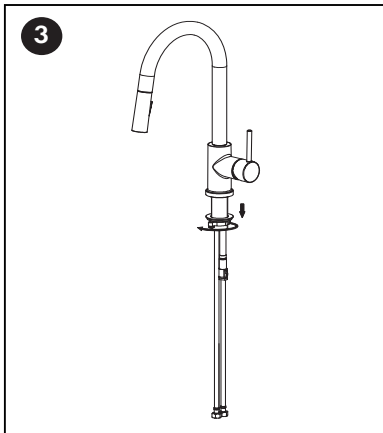
RBCN1-KF SINGLE HANDLE FAUCET



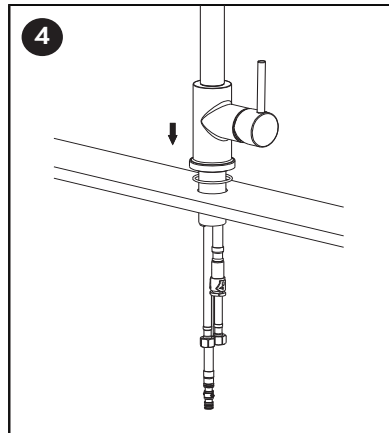
Turn off the hot and cold water at the supply valves.



Use a pencil to mark where the mounting holes will be drilled.



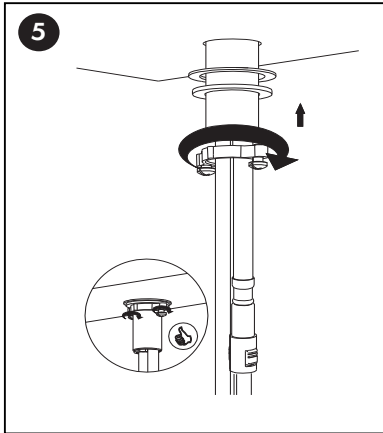
Remove the mounting bracket/nut and seals, then insert the faucet and water lines through the drilled hole.



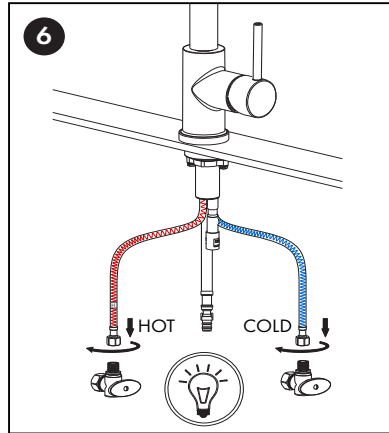
Install the faucet through the mounting hole, ensuring the sealing washer is between the countertop and bottom of the faucet. I think this looks fine. Align the faucet so that it is square with the sink. No plumber's putty is required unless the countertop is not smooth and flat.

INSTALLATION

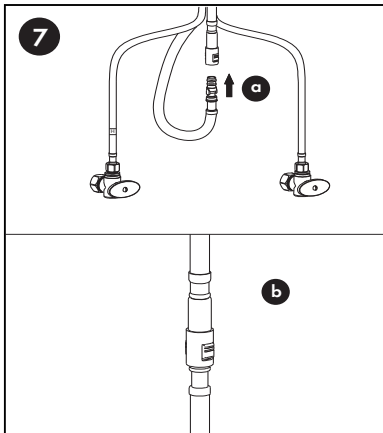
RBCN1-KF SINGLE HANDLE FAUCET



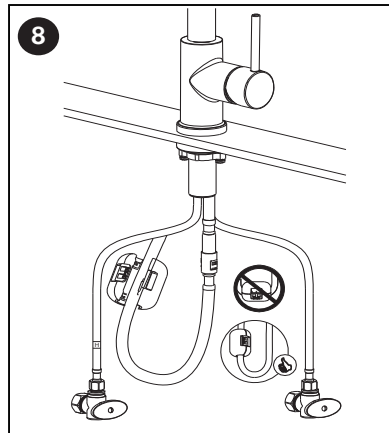
Insert the water lines through the sealing rings and mounting bracket. Turn the mounting bracket/nut clockwise to tighten it against the seals and countertop. Then, use a screwdriver to tighten the screws in the mounting bracket to secure it in place. Do not over tighten as damage may occur to the countertop.



Use a wrench to connect the hot and cold water lines to the corresponding supply valves.



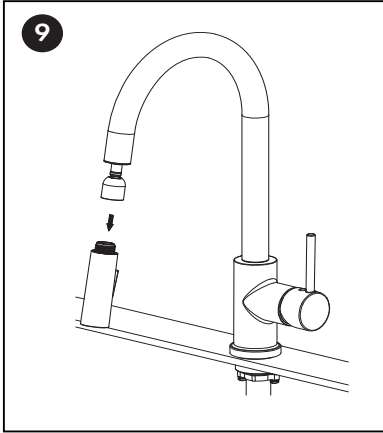
Ensure that the blue locking ring is installed on the push connector. Connect the spray head hose by plugging the smaller end into the larger connector until you hear a click and the two hoses can not be pulled apart.



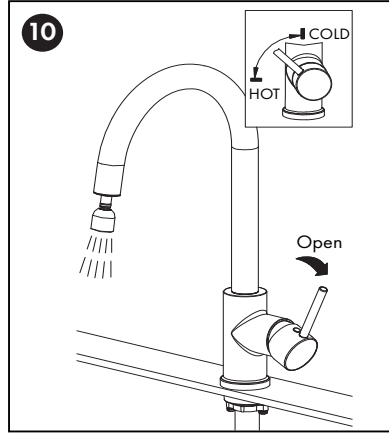
Attach the spray hose counterweight by opening the clamp and installing it onto the side of the hose that leads to the spray head, not where it connects to the water connection. Ensure the weight is a few inches above the bottom bend. Check that the weight moves freely with the spray hose and does not make contact with the water supply valves or drain pipe.

INSTALLATION

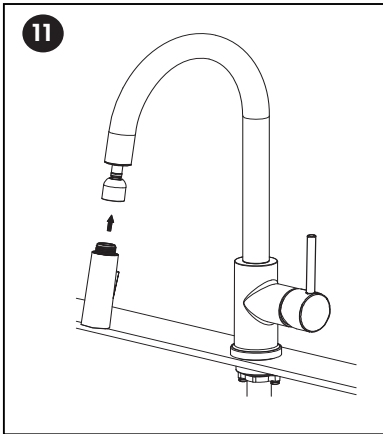
RBCN1-KF SINGLE HANDLE FAUCET



Remove the spray head by twisting counterclockwise.



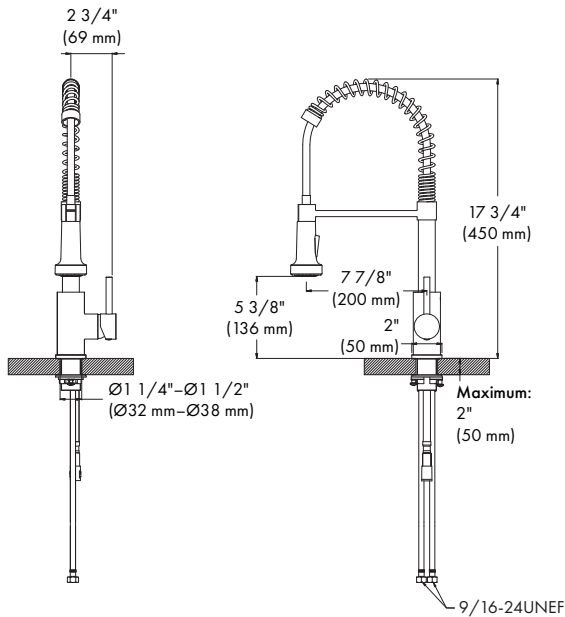
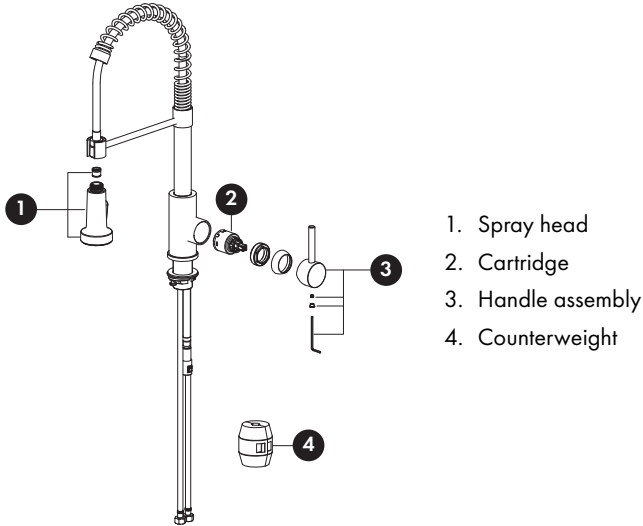
Turn on water and flush to remove any debris in the lines before attaching spray head.



Reattach the spray head after flushing the system. Place the spray head on the threaded connection and rotate clockwise until tight

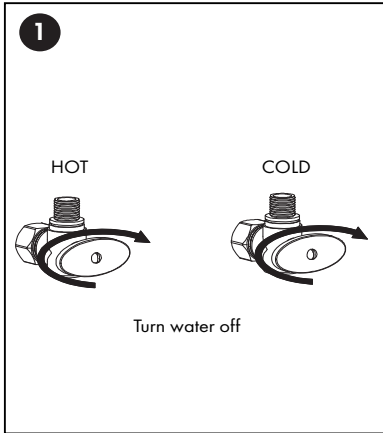
INSTALLATION

RBCN2-KF SINGLE HANDLE FAUCET

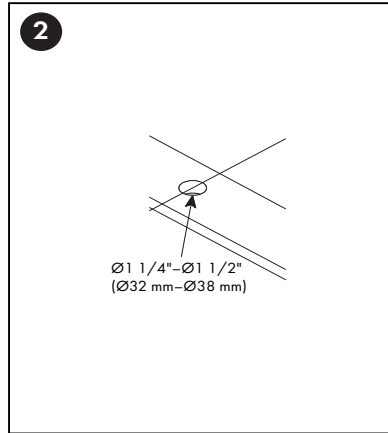


INSTALLATION

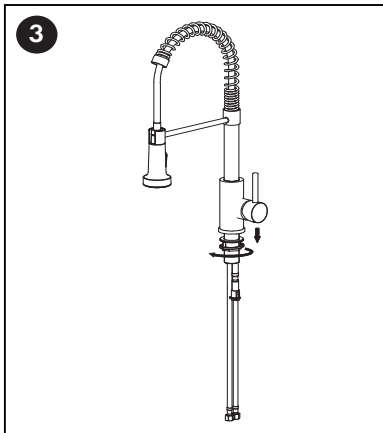
RBCN2-KF SINGLE HANDLE FAUCET



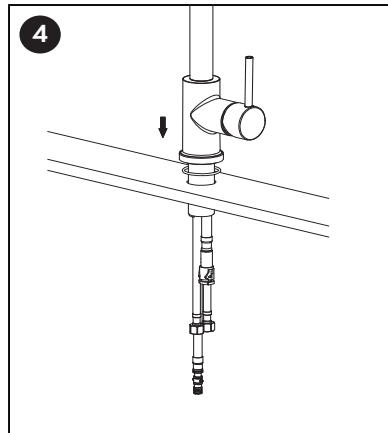
Turn off the hot and cold water at the supply valves.



Use a pencil to mark where the mounting hole will be drilled.



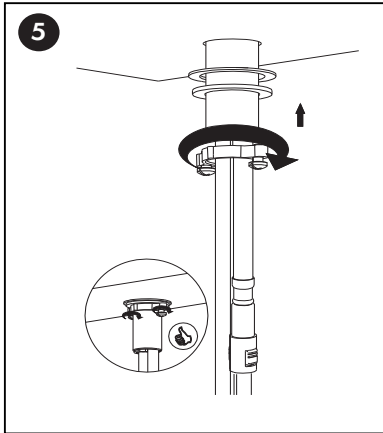
Remove the mounting bracket/nut and seals, then insert the faucet and water lines through the drilled hole.



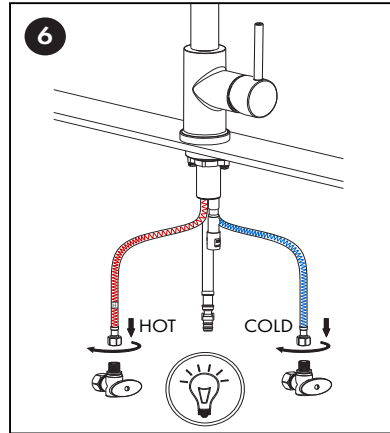
Install the faucet through the mounting hole, ensuring the sealing washer is between the countertop and bottom of the faucet. I think this looks fine. Align the faucet so that it is square with the sink. No plumber's putty is required unless the countertop is not smooth and flat.

INSTALLATION

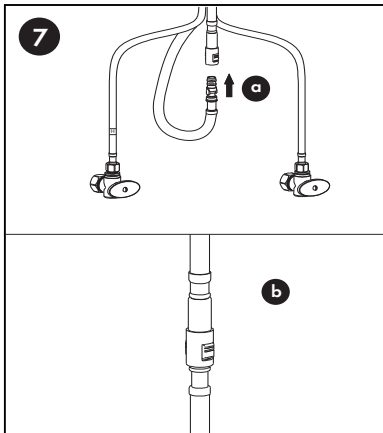
RBCN2-KF SINGLE HANDLE FAUCET



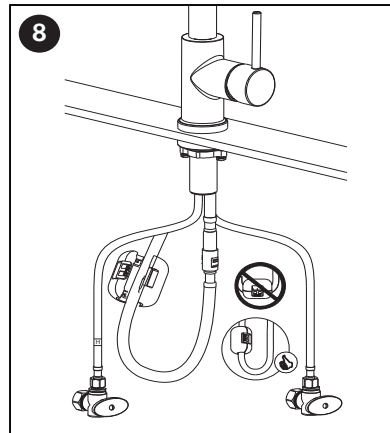
Insert the water lines through the sealing rings and mounting bracket. Turn the mounting bracket/nut clockwise to tighten it against the seals and countertop. Then, use a screwdriver to tighten the screws in the mounting bracket to secure it in place. Do not over tighten as damage may occur to the countertop.



Use a wrench to connect the hot and cold water lines to the corresponding supply valves.



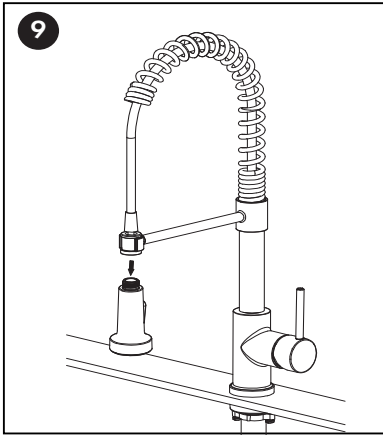
Ensure that the blue locking ring is installed on the push connector. Connect the spray head hose by plugging the smaller end into the larger connector until you hear a click and the two hoses can not be pulled apart.



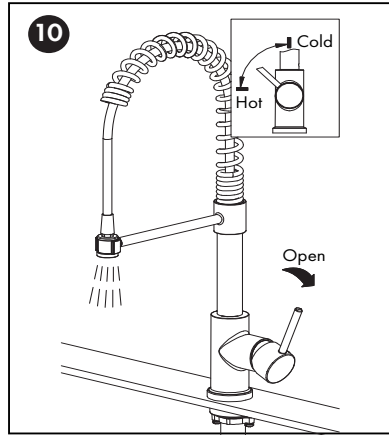
Attach the spray hose counterweight by opening the clamp and installing it onto the side of the hose that leads to the spray head, not where it connects to the water connection. Ensure the weight is a few inches above the bottom bend. Check that the weight moves freely with the spray hose and does not make contact with the water supply valves or drain pipe.

INSTALLATION

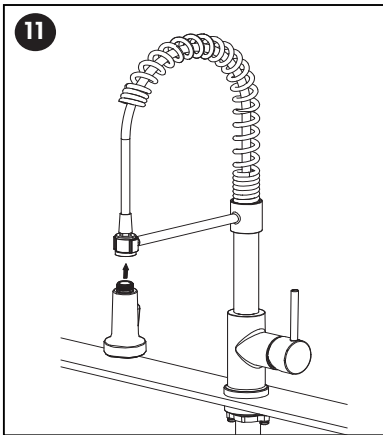
RBCN2-KF SINGLE HANDLE FAUCET



Remove the spray head by twisting counterclockwise.



Turn on water and flush to remove any debris in the lines before attaching spray head.



Reattach the spray head after flushing the system. Place the spray head on the threaded connection and rotate clockwise until tight

CARE AND MAINTENANCE

To keep your faucet clean, follow the steps below:

- Remove any surface dirt and film using clean water and cotton cloth.
- Spray cleaners such as mild liquid detergents, clear liquid glass cleaners, non-acidic and fully dissolved powder cleaners, or non-abrasive liquid polishers onto a microfiber cloth to clean the product.
- Do not clean with soaps, acid, polish, abrasives, or harsh cleaners.
- Rinse the product with clean water to thoroughly remove cleaner and dry with a microfiber cloth.
- Unscrew the aerator and clean when necessary.

TROUBLESHOOTING

PROBLEM	POSSIBLE CAUSE	SOLUTIONS
There is leakage under the handle.	The locking nut has come loose.	Unscrew the lever on the handle by hand. Loosen set screw with an Allen wrench. Remove the handle and unscrew trim cap by hand. Tighten locking nut with an adjustable wrench.
Water will not shut off completely.	Cartridge may be defective.	Unscrew the lever on the handle by hand. Loosen set screw with an Allen wrench. Remove the handle and unscrew trim cap by hand. Unscrew the locking nut with an adjustable wrench. Remove ceramic disc cartridge. Check for cracks.
	Lines were not flushed prior to completing the installation and debris may have made its way into the cartridge/aerator.	Remove ceramic disc cartridge and inspect for debris or damage.
	Handle is not placed correctly. If the set screw is loose, the handle may be able to be turned without turning the valve.	Tighten the screw and turn the handle to turn off the water. Loosen the screw, realign the handle, and tighten the screw.

WARRANTY

COVERAGE

ZLINE Kitchen and Bath faucets and kitchen accessories have a limited lifetime warranty from the original date of product delivery for the original purchaser of the product.

ZLINE warranty periods begin from the original date of product delivery and solely cover the original purchaser of the product, delivered new and in its original carton. ZLINE will provide free-of-charge, non-consumable replacement parts for the components that failed due to manufacturing defects.

It is the responsibility of the customer to install all replacement parts, as ZLINE does not perform service repairs on its faucets and kitchen accessories.

ZLINE's liability is limited to the original purchase price of the product. Additional injuries, losses, damages, or other inconveniences caused by product malfunction or defects in materials are not covered under the terms of this warranty.

TERMS

ZLINE warranties apply only to the original purchaser of a ZLINE product installed for normal residential use. This is defined as a single-family, residential dwelling in a non-commercial setting. Any warranty claim stemming from installation, operation, or any other use within a commercial setting is not covered under this limited warranty.

Commercial settings include, but are not limited to: schools, churches, hotels, restaurants, vacation rentals such as Airbnb, daycare centers, private clubs, fire stations, common areas in multi-family dwellings, nursing homes, food service locations, and institutional food service locations such as hospitals or correctional facilities.

This warranty is non-transferable and will not under any circumstance be extended based on the date of installation — the warranty period takes effect from the date of delivery and only covers the original purchaser. The warranty applies only to products installed in the contiguous United States and the District of Columbia.

WARRANTY

Out-of-pocket payments will not be reimbursed for replacement parts unless prior approval is received from ZLINE. Unapproved out-of-pocket payments for parts will not be reimbursed. Out-of-pockets for any type of service will not be reimbursed, as ZLINE does not perform service repairs on faucets and kitchen accessories. All warranty procedures must be followed to maintain warranty coverage.

If ZLINE is unable to replace the defective part after a reasonable number of attempts, ZLINE reserves the right to offer to replace the product or provide the original purchaser a full refund of the purchase price of the product (not including installation, removal, or other charges that were not included in the original purchase price).

The original purchaser of the product must provide the original proof of purchase, including the purchase date, when filing a claim to obtain replacement parts or refunds. Additionally, the original purchaser of the product must provide the serial number of the product when filing a claim to obtain replacement parts or refunds.

This warranty shall not apply to any ZLINE product in which the original factory serial number has been removed, altered, or cannot be readily determined for any reason. Further, ZLINE is not responsible for damage resulting from, but not limited to: shipment, delivery, or improper installation; negligence or improper maintenance, misuse, or abuse of the product; unauthorized alteration, modification, or tampering with the product; accident, fire, floods, pest infestations, pandemics, natural disasters, or any other unpreventable or unexplained acts of nature, commonly referred to as "acts of God"; flare-up fires or damages caused by improper electric supply, electrical line current, voltage, or power surges; and service to correct installation not in accordance with the instructions contained in ZLINE's product manuals and/or with local government codes.

WARRANTY

Additionally, this plumbing warranty does not apply to aesthetic damage, scratches, or natural wear caused by normal use; second-hand, open box products, or products purchased from an unauthorized retailer; consumable parts including, but not limited to, rough-in valves, aerators, diverter handles, sprayers, spouts, hoses, and flange covers; and damages, problems, or any type of performance-related issues stemming from alteration or tampering with the product, including, but not limited to, painting stainless steel, black stainless, Satin Stainless Steel, or any other finishes or any portion of the product's interior or exterior.

Information contained within ZLINE's installation and user manuals, in addition to product information included on ZLINE's website and all related digital listings, do not cover every possible condition and situation that may occur during the installation or operation of ZLINE products.

ZLINE reserves the right to make changes at any time to its products when considered safe, necessary, and useful. Always check the ZLINE website for the most up-to-date version of its product manuals: www.zlinekitchen.com/pages/manuals.

Do not install or operate any ZLINE product if it has missing or broken parts or if it arrives damaged due to shipping. If ZLINE products arrive damaged, contact ZLINE Customer Experience at 1-614-777-5004 for help. Failure to report a damaged appliance prior to installation or operation may void the warranty. ZLINE does not perform service repairs on its faucets and kitchen accessories.

ZLINE disclaims responsibility for damage or injury caused by improper installation or use of any of its products. ZLINE is under no obligation, by law or otherwise, to provide concessions, including repairs, prorates, rebates, discounts, or replacements, once the warranty has expired.

WARRANTY



Please contact ZLINE Customer Service for questions and troubleshooting help at 1-614-777-5004 or visit www.zlinekitchen.com/contact to utilize our online Customer Experience Portal.



Scan the QR code to view the most up-to-date version of our Installation Manual and User Manual.



Need to purchase a part or accessory for your ZLINE product? Visit www.zlineparts.com, ZLINE's official parts distribution partner.

1.1.1

zlinekitchen.com

1-614-777-5004

contact@zlinekitchen.com

ZLINE
ATTAINABLE LUXURY®