

# PW9000DF

## GE Profile™ Series 30" Warming Drawer

### Dimensions and Installation Information (in inches)

**Optional Accessories:** ZXD30B -1/4" panel kit capability.

**Note:** Custom panel will not be flush with adjacent cabinetry drawers and doors.

**Undercounter Installation:** A solid barrier must be installed at least 1" from the lowest point of the bottom of cooktop burner box to the top of the cutout. Use any solid material such as 1/4"-thick plywood. Allow at least 1/4" air gap between the barrier and the top of the warming drawer. See label on top of the warming drawer for approved cooktop models.

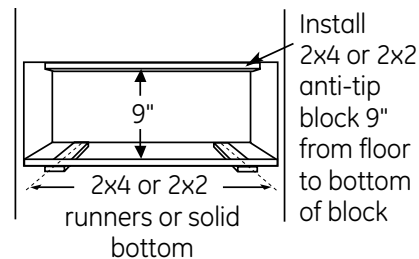
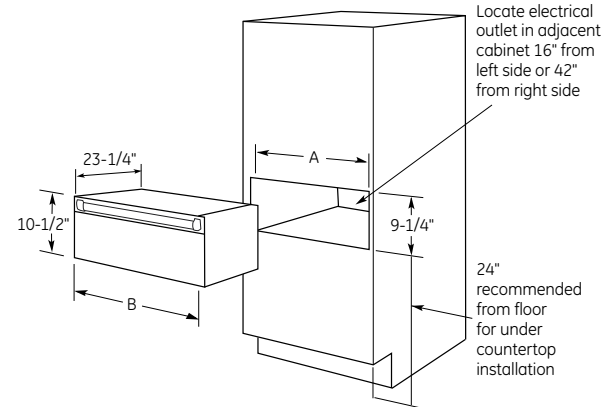
**Under Oven Installation:** Additional clearance between cutouts may be required. Check to be sure that oven supports above the warming drawer location do not obstruct the required interior 23-1/2" depth and 9-1/4" height.

**Door handle protrudes 2-3/4" from door face. Cabinets and drawers on adjacent 45° and 90° walls should be placed to avoid interference with the handle.**

**Installation Information:** Before installing, consult installation instructions packed with product for current dimensional data.

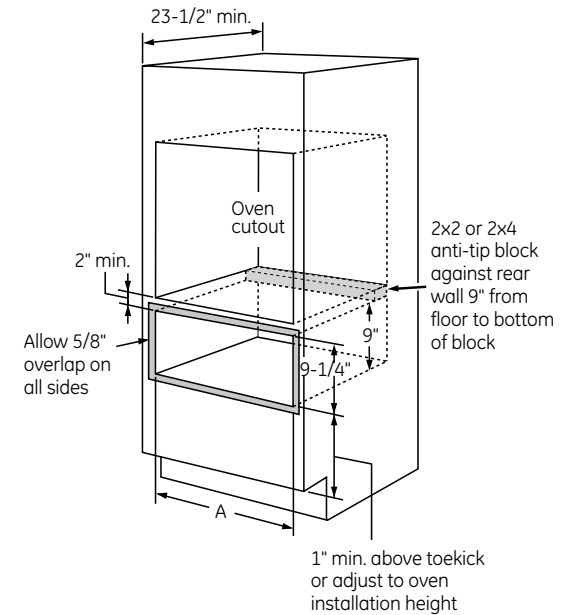
KW Rating	
120V	.45
Breaker Size	
120V	15 Amps

### Warming Drawer Dimensions

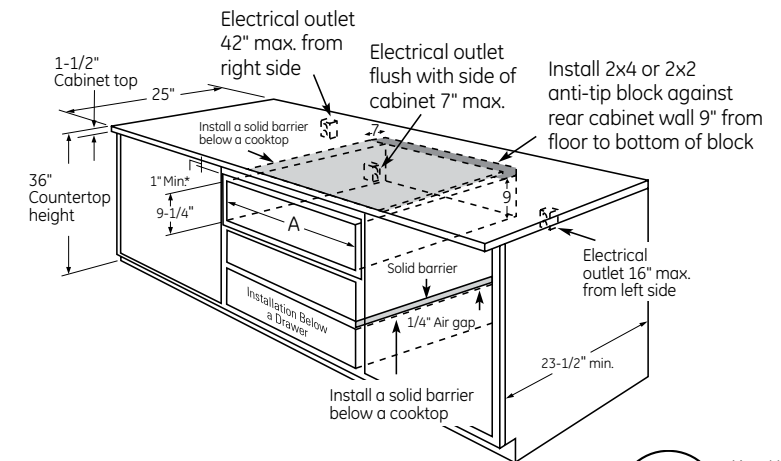


	A	B
30" Drawer	28-1/2"	29-3/4"

### Under Oven Installation



### Undercounter Installation



imagination at work

For answers to your Monogram® or GE® appliance questions, visit our website at [geappliances.com](http://geappliances.com) or call GE Answer Center® service, 800.626.2000.



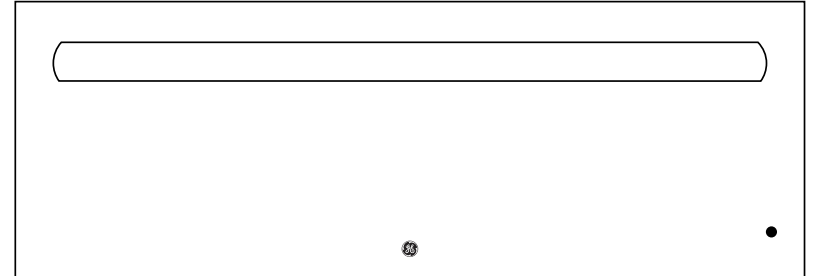
Listed by Underwriters Laboratories

# PW9000DF

## GE Profile™ Series 30" Warming Drawer

### Features and Benefits

- Variable temperature control - Provides a variety of temperatures
- Variable humidity control - Customized warming from crisp to moist
- Frameless drawer front - Offers a smooth appearance
- "On" indicator light - Illuminates when warming drawer is operating
- Half rack - Maximizes drawer space
- Model PW9000DFBB - Black on black



imagination at work