

PVM2170SR

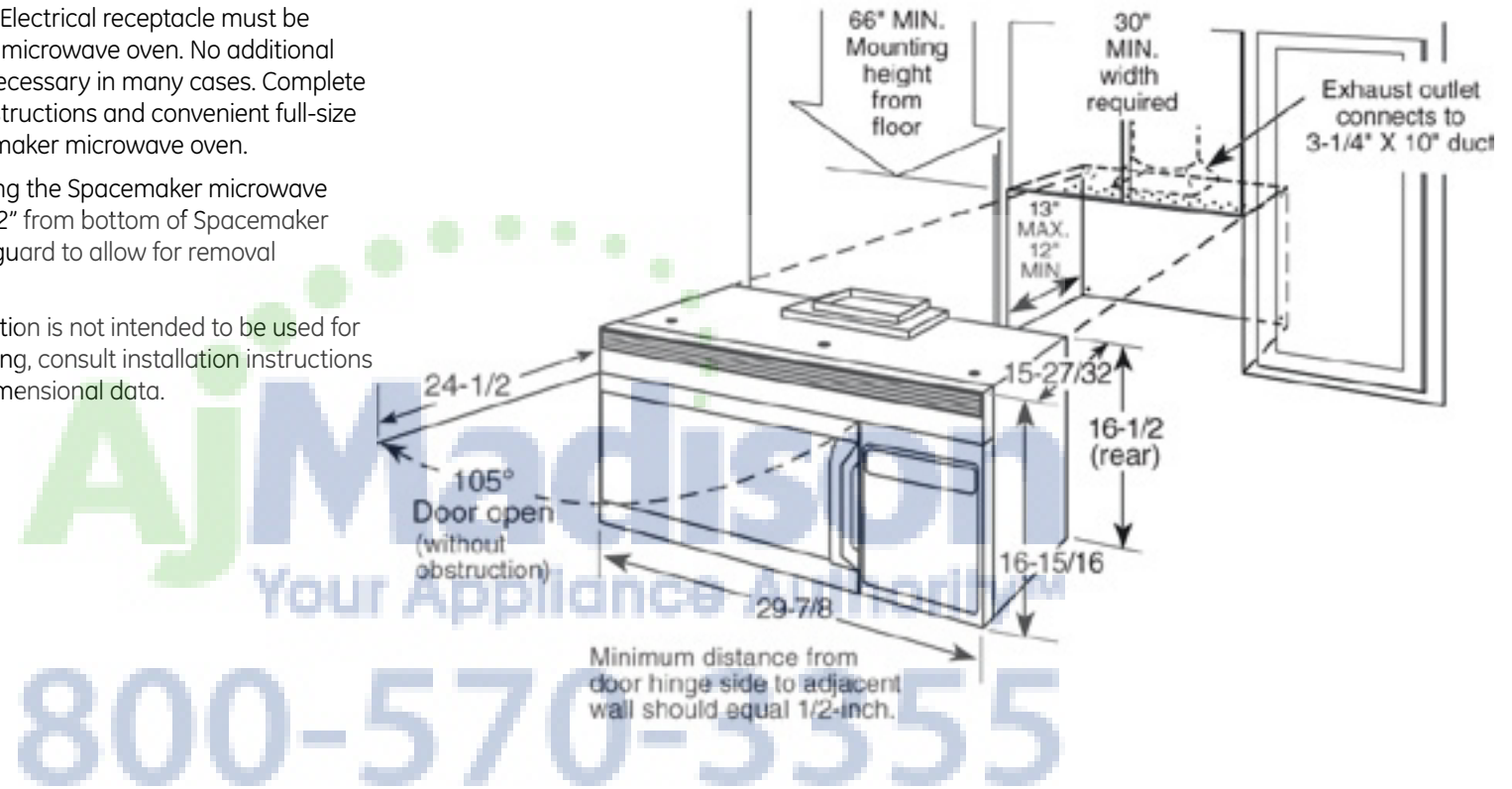
GE Profile Spacemaker® 2.1 Cu. Ft. Over-the-Range Microwave Oven

Dimensions and Installation Information (in inches)

Note: Requires 120V grounded outlet. Electrical receptacle must be located in cabinet above Spacemaker microwave oven. No additional wiring, venting or cabinet rebuilding necessary in many cases. Complete detailed, easy-to-follow installation instructions and convenient full-size templates are packed with the Spacemaker microwave oven.

Important Information: When installing the Spacemaker microwave oven over a range, allow minimum of 2" from bottom of Spacemaker microwave oven to top of range backguard to allow for removal of light covers.

Installation Information: This information is not intended to be used for installing unit described. Before installing, consult installation instructions packed with product/kit for current dimensional data.



For answers to your Monogram®, GE Profile™ or GE® appliance questions, visit our website at geappliances.com or call GE Answer Center® service, 800.626.2000.



imagination at work



Listed by
Underwriters
Laboratories

Specification Revised 7/11

240276

PVM2170SR

GE Profile Spacemaker® 2.1 Cu. Ft. Over-the-Range Microwave Oven

Optional Accessories (Available at additional cost)

Hood Exhaust Duct: Outside ventilation requires a HOOD EXHAUST DUCT. Read the following carefully.

Exhaust Connection: The hood exhaust has been designed to mate with a standard 3-1/4" x 10" rectangular duct. If a round duct is required, a rectangular-to-round transition adaptor must be used. Do not use less than a 6" diameter duct.

Rear Exhaust: If a rear or horizontal exhaust is to be used, care should be taken to align exhaust with space between studs, or wall should be prepared at the time it is constructed by leaving enough space between the wall studs to accommodate exhaust.

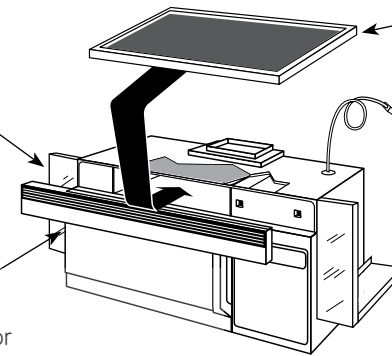
Maximum Duct Length: For satisfactory air movement, the total duct length of 3-1/4" x 10" rectangular or 6" diameter round duct should not exceed 140 equivalent feet.

ELBOWS, TRANSITIONS, WALL AND ROOF CAPS: etc., present additional resistance to airflow and are equivalent to a section of straight duct which is longer than their actual physical size. When calculating the total duct length, add the equivalent length of all transitions and adaptors plus the lengths of all straight duct sections. The chart below shows the approximate feet of equivalent length of some typical ducts.

Duct	Equivalent Feet
A. Rectangular-To-round Transition Adaptor	5 ft.
B. Wall Cap	40 ft.
C. 90° Elbow	10 ft.
D. 45° Elbow	5 ft.
E. 90° Elbow	25 ft.
F. 45° Elbow	5 ft.
G. Roof Cap	24 ft.

Filler Panel Kits JX52

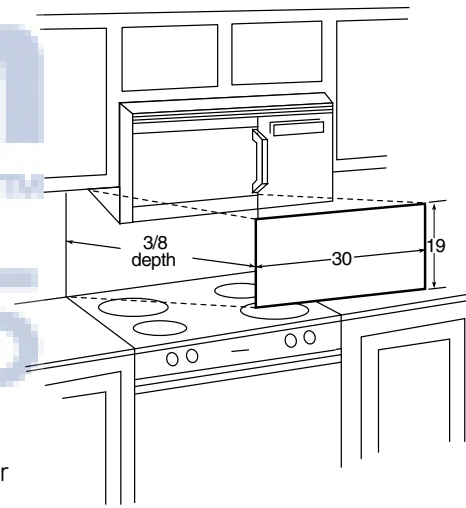
When replacing a 36" range hood, this kit fills in the additional width to provide a custom built-in appearance. For installation between cabinets only; not for end-of-cabinet installation. Each kit contains two 3"-wide filler panels.



Filter Kits JX81J-Recirculating Charcoal Filter Kit

To be used when the Spacemaker microwave oven cannot be vented to the outside.

Madison
Your Appliance Authority™
800-570-3355



JX22SS - Stainless Steel Decorative Panel Kit

When replacing a Hi/Low range with a microwave/convection oven or Spacemaker over a range model, this panel kit fills in the area between the microwave and range left by the H-Low model.



imagination at work



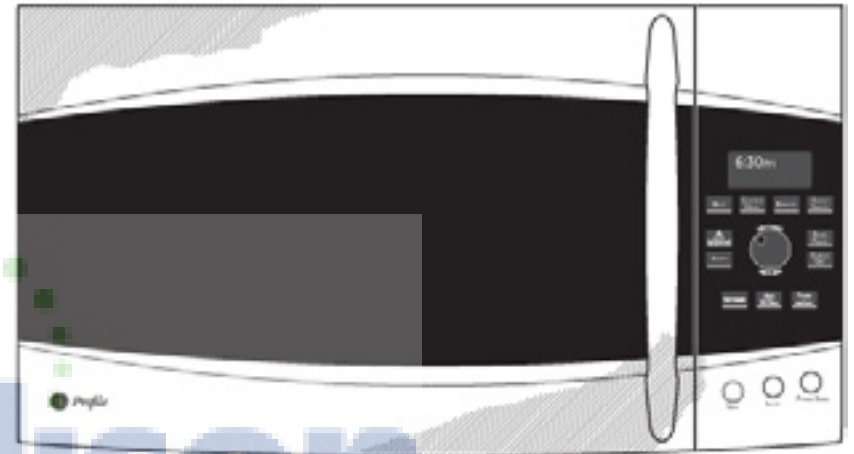
Listed by Underwriters Laboratories

PVM2170SR

GE Profile Spacemaker® 2.1 Cu. Ft. Over-the-Range Microwave Oven

Features and Benefits

- 2.1 cu. ft. capacity - 1000 Watts (IEC-705 test procedure)
- Circuwave™ 1000 cooking system - Cooking system provides more power for fast, more even cooking results
- Sensor cooking controls - Automatically adjusts time and power for delicious cooking results
- Easy clean interior - Makes it easy to wipe up spills, splatters and dried-on foods
- Power Saver - Reduces standby power while the unit is not in use
- USDA "MyPlate.gov" menu - Pre-programmed foods and recipes assist in preparation of healthy meal choices
- Steam cook button - Perfectly prepare your steamed favorites for maximum nutrition retention
- 2 piece design with hidden vent - Creates a streamlined look for a smooth finish
- Four-speed, 400-CFM venting system - Quickly removes smoke, steam and odors from the cooktop for fresh, cleaner kitchen air
- Recessed turntable with on/off - Offers the flexibility to use different sizes of dishes. An on/off button controls turntable operation
- Model PVM2170SRSS - Stainless steel



imagination at work