



PU64ES

piano design

60CM (approx 24") "Piano Design"
Gas Cooktop, Polished Stainless Steel*

EAN13: 8017709185008

Exclusive Piano Design

4 burners

Rear left: 8,000 BTU

Front left: 5,500 BTU

Rear right: Rapid burner 10,000 BTU

Front right: 3,500 BTU

Stainless steel base

Stainless steel control knobs

Stainless steel grates

Stainless steel burner caps

**"EverShine" invisible finish on burners and
grates protects against heat tarnish**

Automatic electronic ignition

Safety valves

Adaptable for LP gas

Gas Inlet/Power supply location: Back right

Voltage rating: 120V / 60Hz / 0.1Amps

*Note that cooktops with polished stainless steel pan stands: when using exposed to a direct flame all polished stainless steel will tarnish. **Evershine** invisible finish on burners and grates of PU75ES and PU64ES reduces heat tarnish.



Options

- **GP64ES** - Set of St/Steel Grates and Burner Caps

SMEG U.S.A. INC.
A&D BUILDING
150 EAST 58th STREET, 7th FLOOR
NEW YORK, NY, 10155
Tel. +1 212 265 5378
Fax +1 212 265 5945

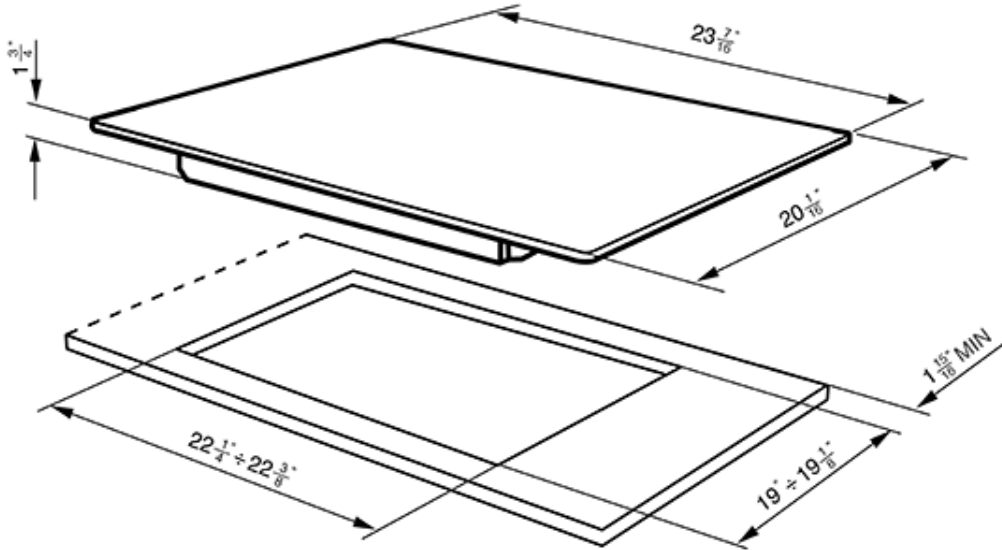


PU64ES

piano design

gas
24"

polished st/steel
polished st/steel



SMEG U.S.A. INC.
A&D BUILDING
150 EAST 58th STREET, 7th FLOOR
NEW YORK, NY, 10155
Tel. +1 212 265 5378
Fax +1 212 265 5945