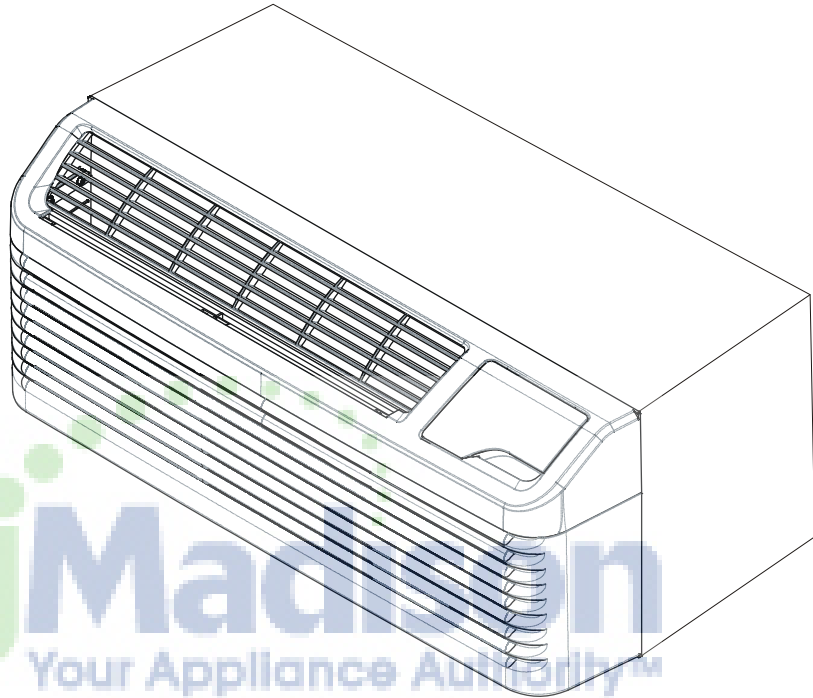


REPAIR PARTS

PTH073G Series PTAC Heat Pump

PTH073G15AXXXAA
PTH073G25AXXXAA
PTH073G25CRXXAA
PTH073G25CXXXAA
PTH073G25DRXXAA
PTH073G25DXXXAA
PTH073G25PXXXAA
PTH073G25QXXXAA
PTH073G25RXXXAA
PTH073G25VXXXAA
PTH073G35AXXXAA
PTH073G35CXXXAA
PTH073G35DXXXAA
PTH073G35PXXXAA
PTH073G35QRXXAA
PTH073G35QXXXAA
PTH073G35RXXXAA
PTH073G35VXXXAA



This manual is to be used by qualified technicians only.

© 2012 Goodman Manufacturing Company, L.P. ♦ 5151 San Felipe, Suite 500 ♦ Houston, TX 77056

Important Information

Index

Functional Parts List	3
Illustration and Parts	4 - 13

Views shown are for parts illustrations only, not servicing procedures.

This system uses R410A refrigerant. If sealed system work is required, use approved equipment and follow service procedures. Refer to Service Manual or Installation Instructions for service procedures.

Introduction of DC motors to meet DOE 2012 requirements.

Text Codes:

AR - As Required

NA - Not Available

NS - Not Shown

00000000 - See Note

QTY - Quantity Example (QTY 3) (If Quantity not shown, Quantity = 1)

M - Model Example (M1) (If M Code not shown, then part is used on all Models)

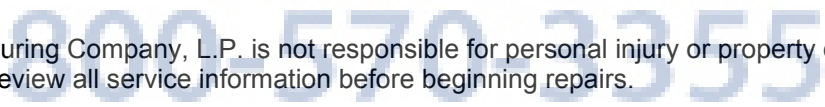
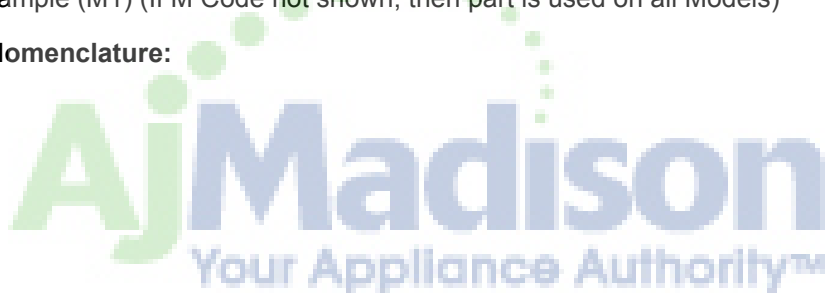
Expanded Model Nomenclature:

Example

M1 - Model#1

M2 - Model#2

M3 - Model#3



Goodman Manufacturing Company, L.P. is not responsible for personal injury or property damage resulting from improper service. Review all service information before beginning repairs.

Warranty service must be performed by an authorized technician, using authorized factory parts. If service is required after the warranty expires, Goodman Manufacturing Company, L.P. also recommends contacting an authorized technician and using authorized factory parts.

Goodman Manufacturing Company, L.P. reserves the right to discontinue, or change at any time, specifications or designs without notice or without incurring obligations.

For assistance within the U.S.A. contact:

Consumer Affairs Department

Goodman Manufacturing Company, L.P.

7401 Security Way

Houston, Texas 77040

877-254-4729-Telephone

713-863-2382-Facsimile

For assistance outside the U.S.A. contact:

International Division

Goodman Manufacturing Company, L.P.

7401 Security Way

Houston, Texas 77040

713-861-2500-Telephone

713-863-2382-Facsimile

Functional Parts

Part No: **Description:**

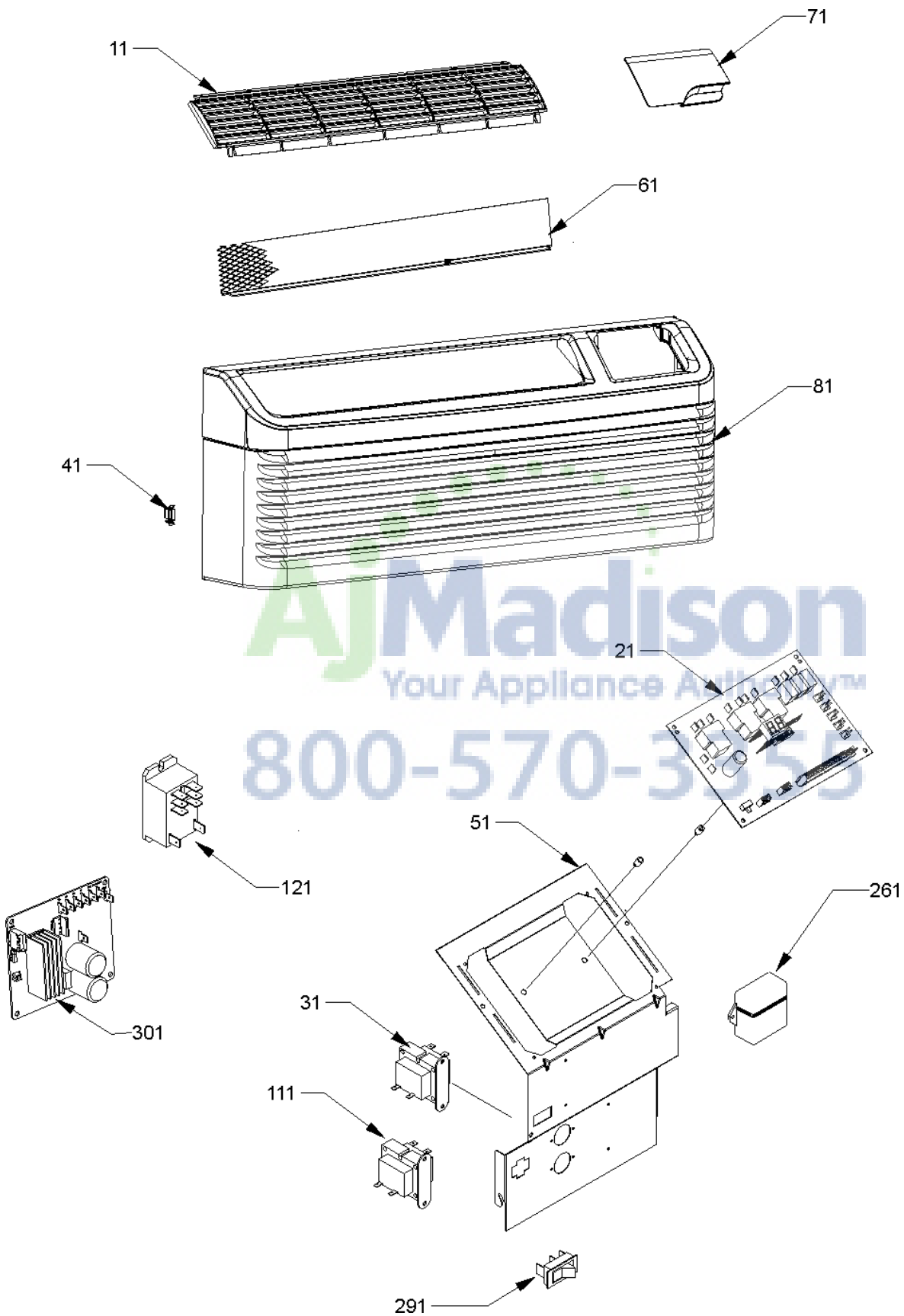
CAP020000440RP	CAPACITOR
39A162A	COMPRESSOR, RECHI
RSKP0010	CONTROL BOARD M61
RSKP0005	CONTROL PANEL COVER AND MEMBRANE
0130P00069	CORD, 250VAC, 15A (LCD) (M1, M2, M3, M4, M5, M6, M7, M8, M9, M10)
0130P00058	CORD, 250VAC, 20A (LCD) (M11, M12, M13, M14, M15, M16, M17, M18)
0131P00006	FAN MOTOR, INDOOR
0131P00030	FAN MOTOR, OUTDOOR DC
0161P00030	FAN, CONDENSER
0275P00019	HEATER ASSY (M2, M3, M4, M5, M6, M7, M8, M9, M10)
0275P00020	HEATER ASSY (M11, M12, M13, M14, M15, M16, M17, M18)
0275P00022	HEATER ASSY (M1)
0130M00132	HIGH PRESSURE SWITCH
60343516	OVERLOAD PROTECTOR
0130M00096	RELAY
C8873917	RELAY (HYDRONIC) (M7, M14)
C8873932	RELAY (POWER VENT) (M5, M6, M10, M13, M18)
0130P00073	THERMISTOR
0130P00075	THERMISTOR
20295709	THERMISTOR-HEAT PUMP
20295707	THERMISTOR-INDOOR COIL
0130P00039	THERMISTOR-OUTDOOR AMBIENT (M3, M5, M9, M15, M17)
0130M00078	TRANSFORMER (M7, M14)
B1378501	TRANSFORMER (M5, M6, M10, M13, M18)
20512501	TRANSFORMER (HYDRONIC)
PCBEP101	VARIABLE SPEED TERMINAL BOARD
0150P00004	WHEEL, BLOWER

Expanded Model Nomenclature

M1 - PTH073G15AXXXAA
M2 - PTH073G25AXXXAA
M3 - PTH073G25CRXXAA
M4 - PTH073G25CXXXAA
M5 - PTH073G25DRXXAA
M6 - PTH073G25DXXXAA
M7 - PTH073G25PXXXAA
M8 - PTH073G25QXXXAA
M9 - PTH073G25RXXXAA
M10 - PTH073G25VXXXAA
M11 - PTH073G35AXXXAA
M12 - PTH073G35CXXXAA
M13 - PTH073G35DXXXAA
M14 - PTH073G35PXXXAA
M15 - PTH073G35QRXXAA
M16 - PTH073G35QXXXAA
M17 - PTH073G35RXXXAA
M18 - PTH073G35VXXXAA



Front Assy



Front Assy

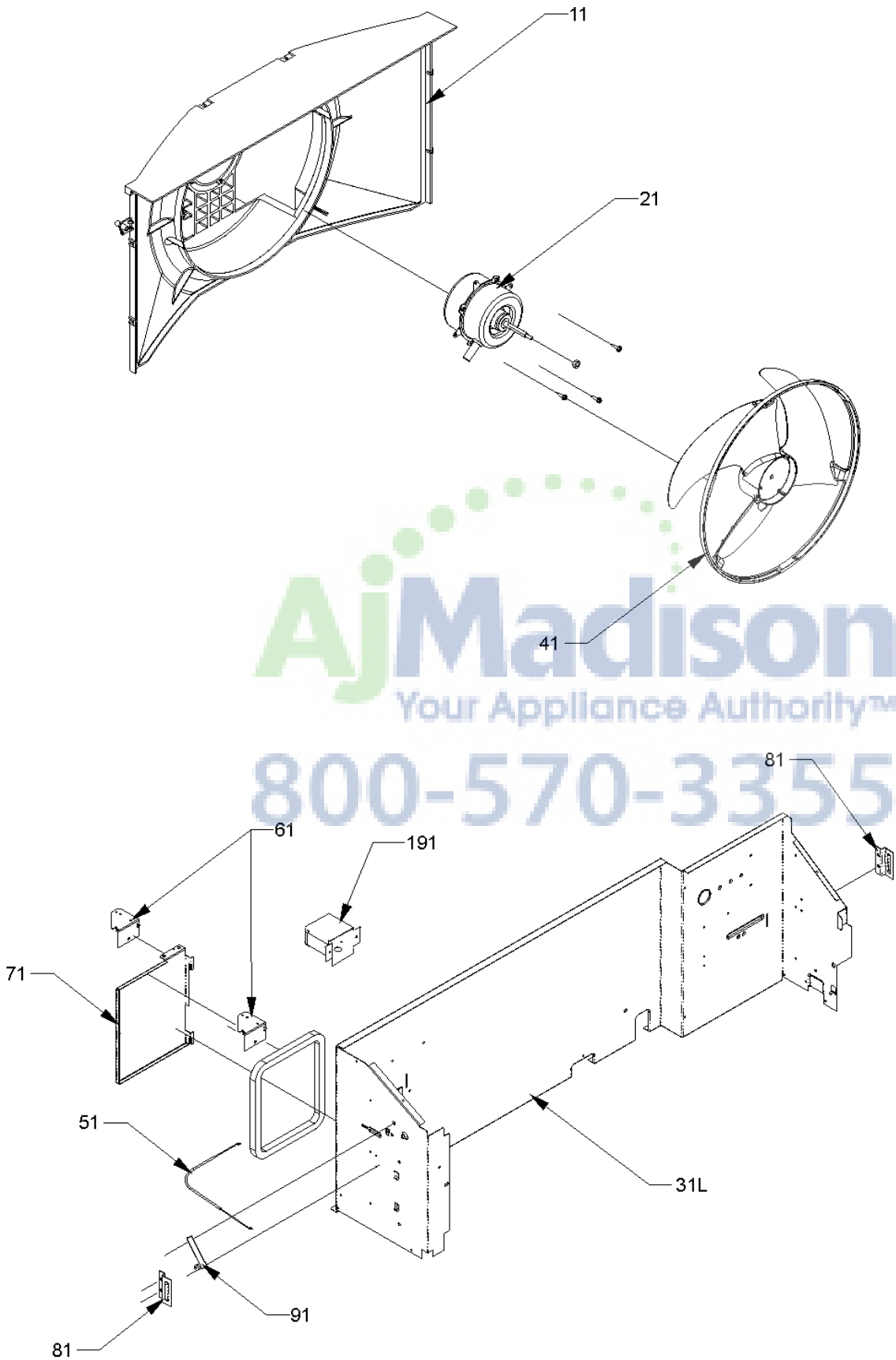
Ref. Part No:	No:	Description:	Ref. Part No:	No:	Description:
<i>Image 1:</i>					
11	0161P00033	FRONT-DICHARGE LOUVERS			
21	RSKP0010	CONTROL BOARD M61			
31	20512501	TRANSFORMER (HYDRONIC)			
41	0163P00025	CLIP (QTY 2)			
51	0121P00001P	CONTROL PANEL COVER			
61	0121P00073	SCREEN, DISCHARGE			
71	0261P00003	DOOR ASSY -AMANA-			
81	0261P00011	FRONT ASSY			
111	0130M00078	TRANSFORMER (M7, M14)			
111	B1378501	TRANSFORMER (M5, M6, M10, M13, M18)			
121	0130M00096	RELAY			
121	C8873917	RELAY (HYDRONIC) (M7, M14)			
121	C8873932	RELAY (POWER VENT) (M5, M6, M10, M13, M18)			
261	1261401	DIGITENNA (M3, M5, M9, M15, M17)			
291	B1337701	PADDLE SWITCH (M5, M6, M10, M13, M18)			
301	PCBEP101	VARIABLE SPEED TERMINAL BOARD			
NS	0161P00035	FILTER, RACK (QTY 2)			
NS	B1160701	TERMINAL BOARD (M5, M6, M10, M13, M18)			

Expanded Model Nomenclature

- M1 - PTH073G15AXXXAA
- M2 - PTH073G25AXXXAA
- M3 - PTH073G25CRXXAA
- M4 - PTH073G25CXXAA
- M5 - PTH073G25DRXXAA
- M6 - PTH073G25DXXAA
- M7 - PTH073G25PXXAA
- M8 - PTH073G25QXXAA
- M9 - PTH073G25RXXAA
- M10 - PTH073G25VXXAA
- M11 - PTH073G35AXXXAA
- M12 - PTH073G35CXXAA
- M13 - PTH073G35DXXAA
- M14 - PTH073G35PXXAA
- M15 - PTH073G35QRXXAA
- M16 - PTH073G35QXXAA
- M17 - PTH073G35RXXAA
- M18 - PTH073G35VXXAA



Chassis Control Panel



AjMadison
Your Appliance Authority™
800-570-3355

Chassis Control Panel

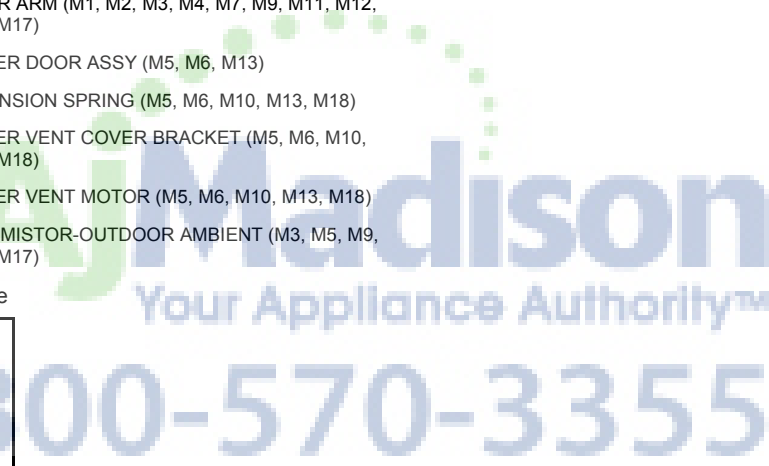
Ref. Part No:	No:	Description:	Ref. Part No:	No:	Description:
---------------	-----	--------------	---------------	-----	--------------

Image 1:

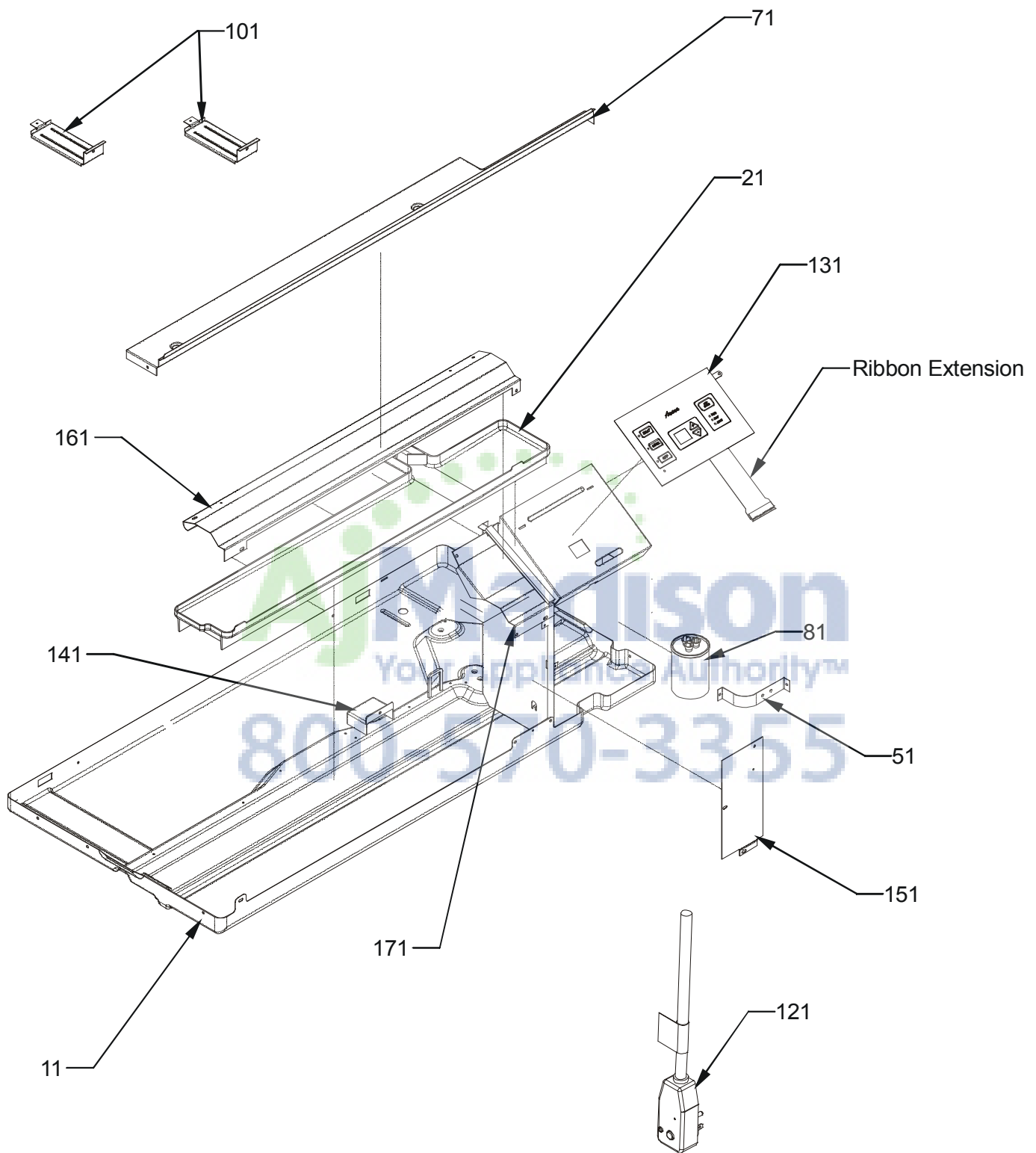
11	0161P00026	SHROUD, CONDENSER
21	0131P00030	FAN MOTOR, OUTDOOR DC
31	0121P00093	PANEL-PARTITION (M8, M15, M16)
31	0121P00089DG	PANEL-PARTITION PNT (M1, M2, M3, M4, M5, M6, M7, M9, M10, M11, M12, M13, M14, M17, M18)
41	0161P00030	FAN, CONDENSER
51	0163P00019	CABLE
61	0121P00079	BRACKET, VENT DOOR (M5, M6, M10, M13, M18)
61	0121P00072DG	BRACKET, VENT DOOR-C (M1, M2, M3, M4, M7, M9, M11, M12, M14, M17)
61	0121P00080	BRKT, POWER VENT (M5, M6, M10, M13, M18)
61	11166101	POWER VENT MOTOR BRACKET (M5, M6, M10, M13, M18)
71	11046105PDG	VENT DOOR (M1, M2, M3, M4, M5, M6, M7, M9, M10, M11, M12, M13, M14, M17, M18)
81	11191703	PARTITION PANEL BRACKET (QTY 2)
91	11046302	LEVER ARM (M1, M2, M3, M4, M7, M9, M11, M12, M14, M17)
191	0270P00997	POWER DOOR ASSY (M5, M6, M13)
NS	11166401	EXTENSION SPRING (M5, M6, M10, M13, M18)
NS	11166201	POWER VENT COVER BRACKET (M5, M6, M10, M13, M18)
NS	11172801	POWER VENT MOTOR (M5, M6, M10, M13, M18)
NS	0130P00039	THERMISTOR-OUTDOOR AMBIENT (M3, M5, M9, M15, M17)

Expanded Model Nomenclature

M1 - PTH073G15AXXXAA
M2 - PTH073G25AXXXAA
M3 - PTH073G25CRXXAA
M4 - PTH073G25CXXAA
M5 - PTH073G25DRXXAA
M6 - PTH073G25DXXAA
M7 - PTH073G25PXXAA
M8 - PTH073G25QXXAA
M9 - PTH073G25RXXAA
M10 - PTH073G25VXXAA
M11 - PTH073G35AXXXAA
M12 - PTH073G35CXXAA
M13 - PTH073G35DXXAA
M14 - PTH073G35PXXAA
M15 - PTH073G35QRXXAA
M16 - PTH073G35QXXAA
M17 - PTH073G35RXXAA
M18 - PTH073G35VXXAA



Partition Assy



Partition Assy

Ref. Part No: No:	Description:	Ref. Part No: No:	Description:
-------------------	--------------	-------------------	--------------

Image 1:

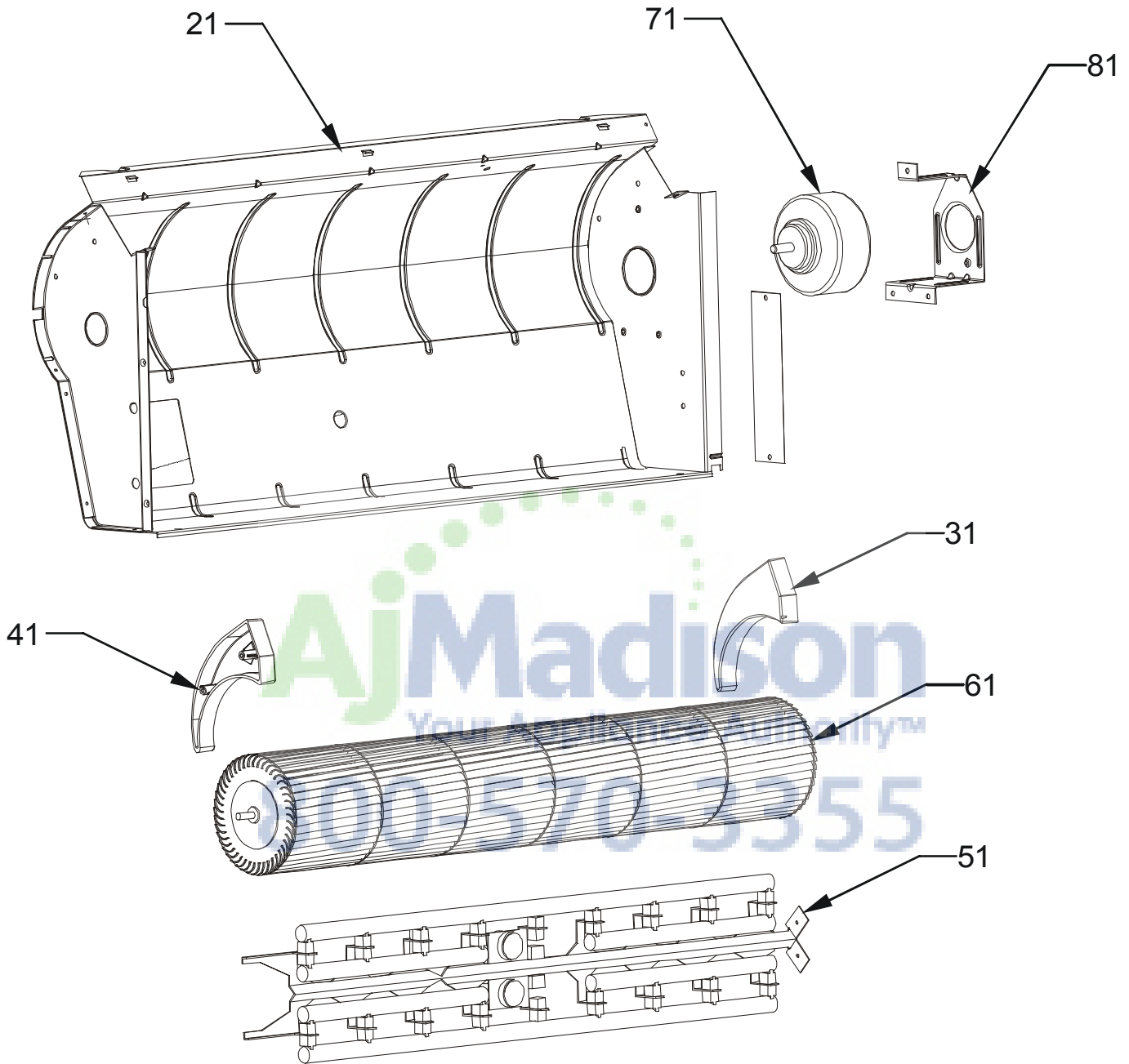
11	0121P00056DG	BASEPAN, PNT
21	0161P00044	PLASTIC-DRAIN PAN
51	C6300502	CAPACITOR STRAP
71	0121P00063DG	TOP, PARTITION PANEL PNT
81	CAP020000440RP	CAPACITOR
101	0121P00071	BRACE, TIE (QTY 2)
121	0130P00069	CORD, 250VAC, 15A (LCD) (M1, M2, M3, M4, M5, M6, M7, M8, M9, M10)
121	0130P00058	CORD, 250VAC, 20A (LCD) (M11, M12, M13, M14, M15, M16, M17, M18)
131	RSKP0005	CONTROL PANEL COVER AND MEMBRANE
141	0161P00016	PLASTIC-HOOD
151	20410801	ACCESS COVER
161	0121P00061DG	CUTOFF-SCROLL DG
171	0121P00070DG	COVER, MOTOR PNT
NS	20403301	MID PARTITION PANEL
NS	20416201	SEAL-L SIDE PTC
NS	20416101	SEAL-R SIDE PTC

Expanded Model Nomenclature

M1 - PTH073G15AXXXAA
M2 - PTH073G25AXXXAA
M3 - PTH073G25CRXXAA
M4 - PTH073G25CXXAA
M5 - PTH073G25DRXXAA
M6 - PTH073G25DXXAA
M7 - PTH073G25PXXAA
M8 - PTH073G25QXXAA
M9 - PTH073G25RXXAA
M10 - PTH073G25VXXAA
M11 - PTH073G35AXXXAA
M12 - PTH073G35CXXAA
M13 - PTH073G35DXXAA
M14 - PTH073G35PXXAA
M15 - PTH073G35QRXXAA
M16 - PTH073G35QXXAA
M17 - PTH073G35RXXAA
M18 - PTH073G35VXXAA



Indoor Assy



Indoor Assy

Ref. Part No:	Part No:	Description:	Ref. Part No:	Part No:	Description:
---------------	----------	--------------	---------------	----------	--------------

Image 1:

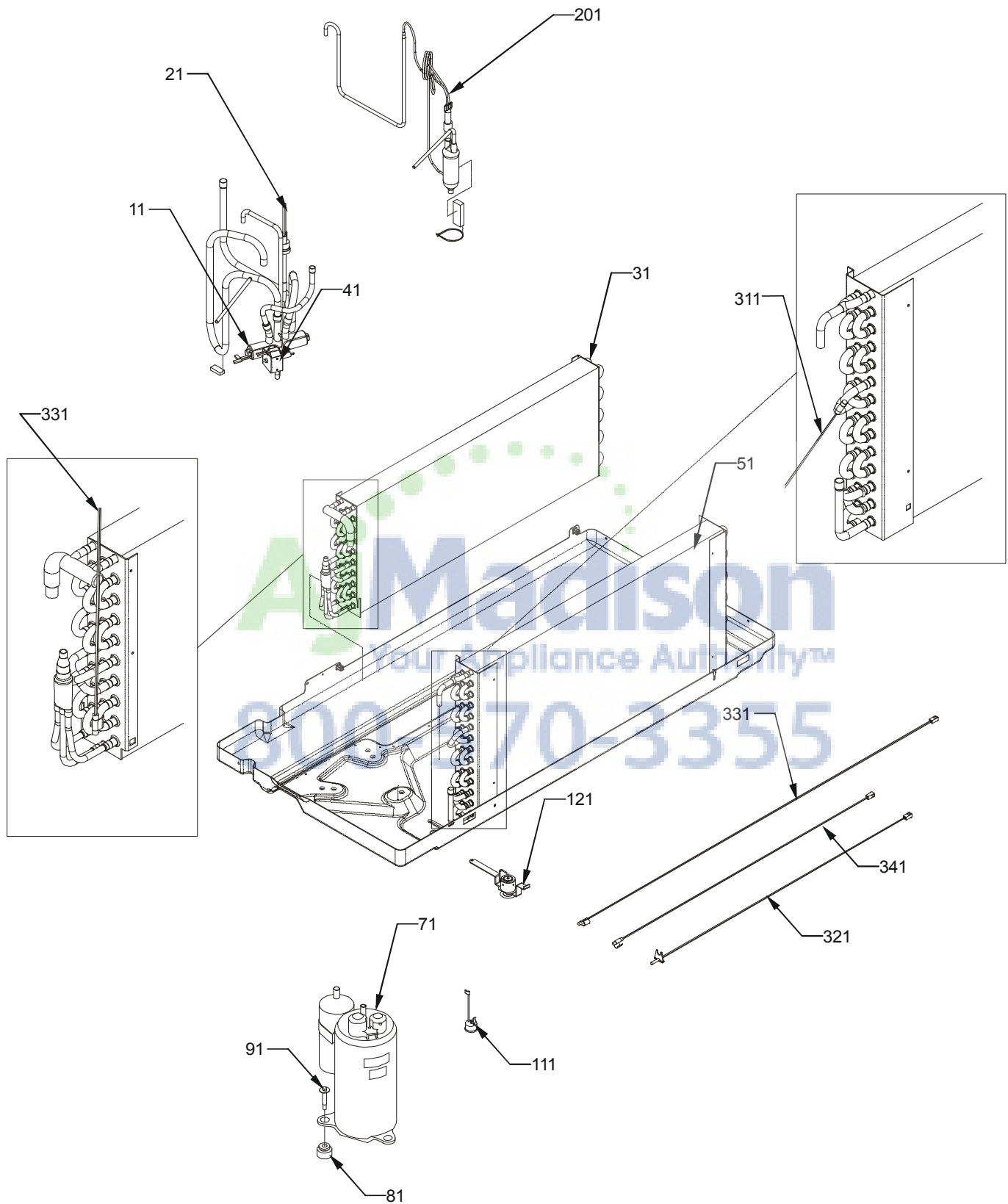
21	0270P01070	SCROLL ASSY
31	0161P00021	END CAP, RIGHT
41	0161P00022	END CAP, LEFT
51	0275P00019	HEATER ASSY (M2, M3, M4, M5, M6, M7, M8, M9, M10)
51	0275P00020	HEATER ASSY (M11, M12, M13, M14, M15, M16, M17, M18)
51	0275P00022	HEATER ASSY (M1)
61	0150P00004	WHEEL, BLOWER
71	0131P00006	FAN MOTOR, INDOOR
81	0121P00048	BRACKET-MOTOR MOUNT
NS	0163P00027	BEARING

Expanded Model Nomenclature

- M1 - PTH073G15AXXXAA
- M2 - PTH073G25AXXXAA
- M3 - PTH073G25CRXXAA
- M4 - PTH073G25CXXXAA
- M5 - PTH073G25DRXXAA
- M6 - PTH073G25DXXXAA
- M7 - PTH073G25PXXXAA
- M8 - PTH073G25QXXXAA
- M9 - PTH073G25RXXXAA
- M10 - PTH073G25VXXXAA
- M11 - PTH073G35AXXXAA
- M12 - PTH073G35CXXXAA
- M13 - PTH073G35DXXXAA
- M14 - PTH073G35PXXXAA
- M15 - PTH073G35QRXXAA
- M16 - PTH073G35QXXXAA
- M17 - PTH073G35RXXXAA
- M18 - PTH073G35VXXXAA



Tubing Assy



Tubing Assy

Ref. Part No: No:	Description:	Ref. Part No: No:	Description:
-------------------	--------------	-------------------	--------------

Image 1:

11	0151P00000	REVERSING VALVE ASSY-230V
21	0130M00132	HIGH PRESSURE SWITCH
31	0202P00067	EVAP ASSY, 3/8, 2 ROW
41	0130P00022	REVERSING VALVE COIL
51	0201P00082	COND ASSY, 5/16, 2 ROW (M1, M2, M5, M6, M7, M8, M9, M10, M11, M13, M14, M15, M16, M17, M18)
51	0201P00085DG	CONDENSER ASSY PNT (M3, M4, M12)
71	39A162A	COMPRESSOR, RECHI
81	60110202	GROMMET - RECHI COMPRESSOR (QTY 3)
91	M0253661	SHOULDER SCREW (QTY 3)
111	60343516	OVERLOAD PROTECTOR
121	20406303	BASE PAN VALVE
201	0210P00178	CAPILLARY WELDMENT
311	20295709	THERMISTOR-HEAT PUMP
321	0130P00073	THERMISTOR
331	20295707	THERMISTOR-INDOOR COIL
341	0130P00075	THERMISTOR
NS	60500101	OLP SPRING - RECHI COMPRESSOR
NS	BT1392310	PLASTIC CLAMP, .1875 DIA (M5, M6, M10, M13, M18)
NS	60100314	TERMINAL COVER - RECHI COMP
NS	60100103	TERMINAL GASKET
NS	60100401	TERMINAL NUT - RECHI COMP
NS	60100201	WASHER - RECHI COMPRESSOR

Expanded Model Nomenclature

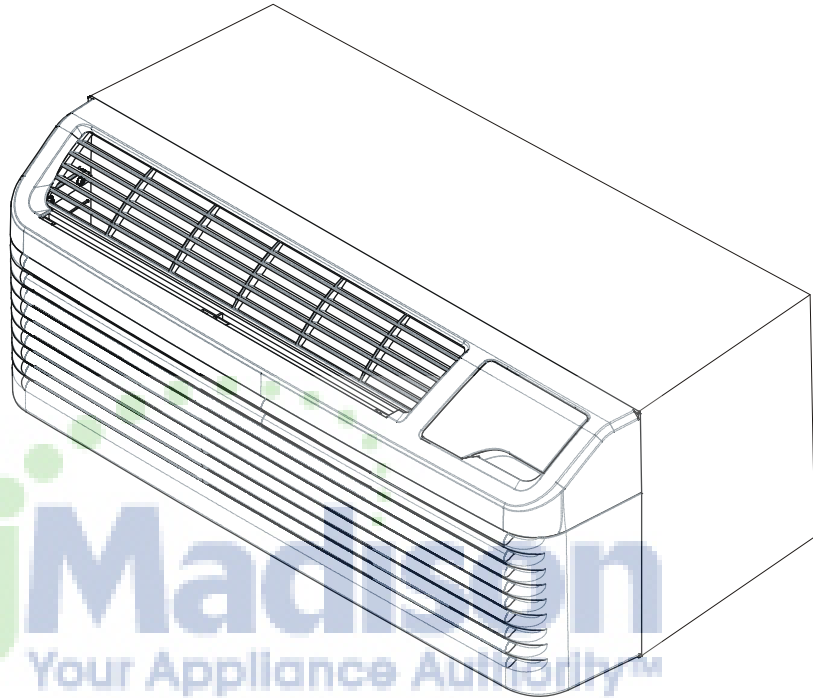
M1 - PTH073G15AXXXAA
M2 - PTH073G25AXXXAA
M3 - PTH073G25CRXXAA
M4 - PTH073G25CXXXAA
M5 - PTH073G25DRXXAA
M6 - PTH073G25DXXXAA
M7 - PTH073G25PXXXAA
M8 - PTH073G25QXXXAA
M9 - PTH073G25RXXXAA
M10 - PTH073G25VXXXAA
M11 - PTH073G35AXXXAA
M12 - PTH073G35CXXXAA
M13 - PTH073G35DXXXAA
M14 - PTH073G35PXXXAA
M15 - PTH073G35QRXXAA
M16 - PTH073G35QXXXAA
M17 - PTH073G35RXXXAA
M18 - PTH073G35VXXXAA



REPAIR PARTS

PTH074G Series PTAC Heat Pump

PTH074G25AXXXAA
PTH074G25CXXXAA
PTH074G25RXXXAA
PTH074G35AXXXAA
PTH074G35CXXXAA
PTH074G35QRXXAA
PTH074G35QXXXAA
PTH074G35RXXXAA



This manual is to be used by qualified technicians only.

© 2012 Goodman Manufacturing Company, L.P. ♦ 5151 San Felipe, Suite 500 ♦ Houston, TX 77056

Important Information

Index

Functional Parts List	3
Illustration and Parts	4 - 13

Views shown are for parts illustrations only, not servicing procedures.

This system uses R410A refrigerant. If sealed system work is required, use approved equipment and follow service procedures. Refer to Service Manual or Installation Instructions for service procedures.

Introduction of DC motors to meet DOE 2012 requirements.

Text Codes:

AR - As Required

NA - Not Available

NS - Not Shown

00000000 - See Note

QTY - Quantity Example (QTY 3) (If Quantity not shown, Quantity = 1)

M - Model Example (M1) (If M Code not shown, then part is used on all Models)

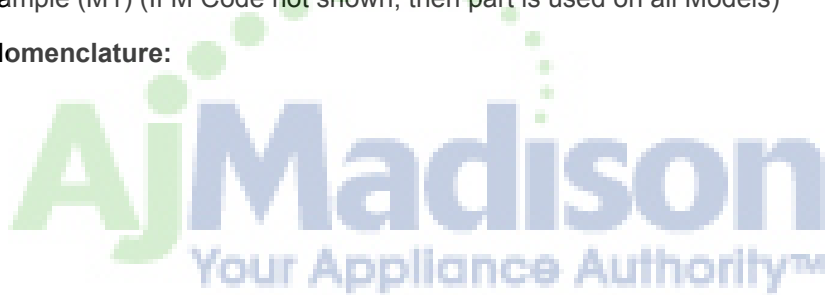
Expanded Model Nomenclature:

Example

M1 - Model#1

M2 - Model#2

M3 - Model#3



Goodman Manufacturing Company, L.P. is not responsible for personal injury or property damage resulting from improper service. Review all service information before beginning repairs.

Warranty service must be performed by an authorized technician, using authorized factory parts. If service is required after the warranty expires, Goodman Manufacturing Company, L.P. also recommends contacting an authorized technician and using authorized factory parts.

Goodman Manufacturing Company, L.P. reserves the right to discontinue, or change at any time, specifications or designs without notice or without incurring obligations.

For assistance within the U.S.A. contact:

Consumer Affairs Department

Goodman Manufacturing Company, L.P.

7401 Security Way

Houston, Texas 77040

877-254-4729-Telephone

713-863-2382-Facsimile

For assistance outside the U.S.A. contact:

International Division

Goodman Manufacturing Company, L.P.

7401 Security Way

Houston, Texas 77040

713-861-2500-Telephone

713-863-2382-Facsimile

Functional Parts

Part

No: Description:

CAP020150450RS	CAP, 2/15 MFD/450V/DUAL RD
39A167A	COMPRESSOR, RECHI
RSKP0010	CONTROL BOARD M61
RSKP0005	CONTROL PANEL COVER AND MEMBRANE
11114701	CORD 277 VAC, 20A
0131P00029	FAN MOTOR, INDOOR
0131P00034	FAN MOTOR, OUTDOOR
0161P00030	FAN, CONDENSER
0275P00024	HEATER ASSY (M4, M5, M6, M7, M8)
0275P00023	HEATER ASSY (M1, M2, M3)
0130M00132	HIGH PRESSURE SWITCH
60343547	OVERLOAD PROTECTOR
0130M00097	RELAY
0130P00073	THERMISTOR
0130P00075	THERMISTOR
20295707	THERMISTOR-INDOOR COIL
0130P00039	THERMISTOR-OUTDOOR AMBIENT (M3, M6, M8)
20512501	TRANSFORMER (HYDRONIC)
PCBEP100	VARIABLE SPEED TERMINAL BOARD
0150P00004	WHEEL, BLOWER



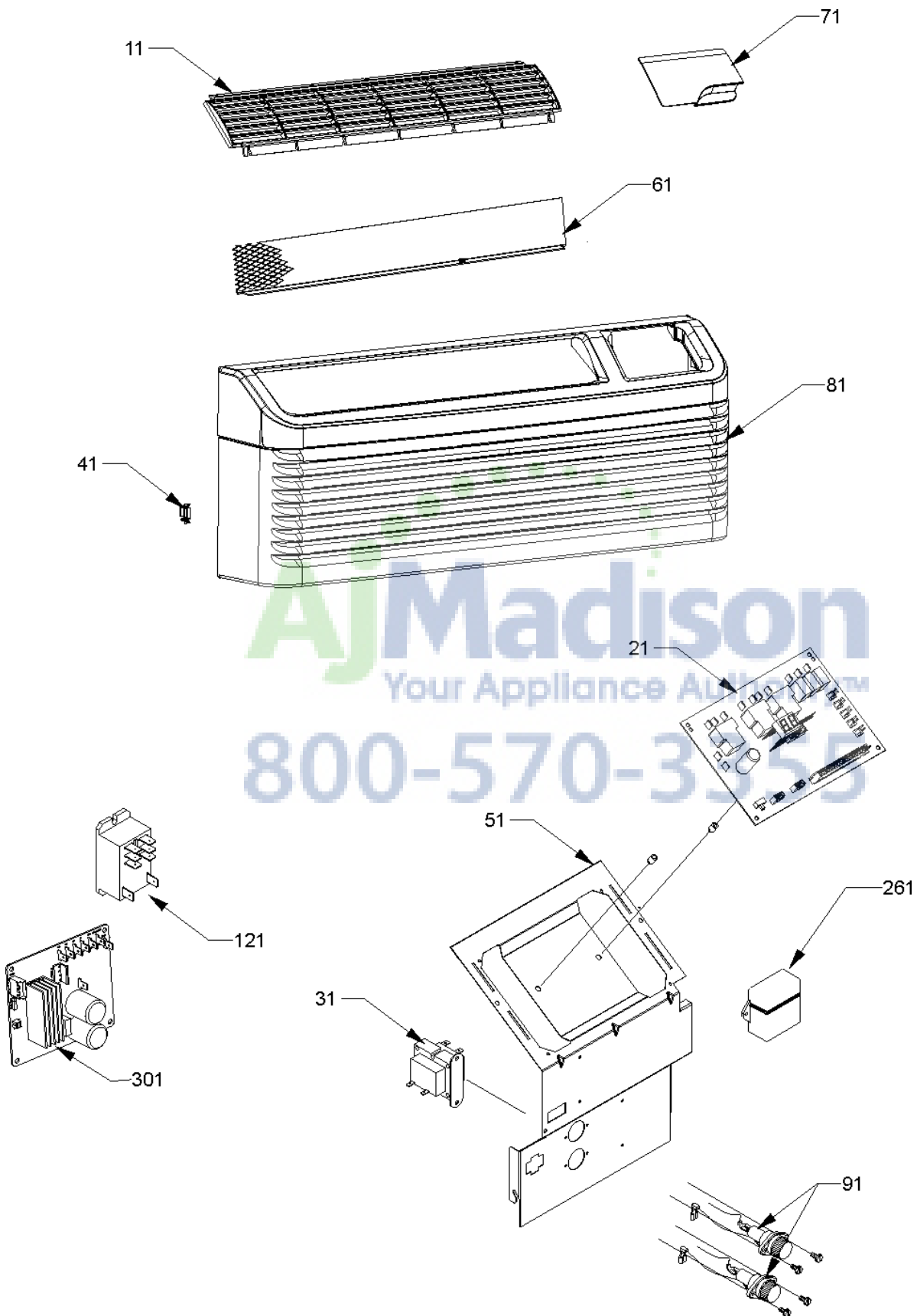
SPECIAL PARTS

A3410402	FUSE 15A (M1, M2, M3)
A3410403	FUSE 20A (M4, M5, M6, M7, M8)

Expanded Model Nomenclature

M1 - PTH074G25AXXXAA
M2 - PTH074G25CXXXAA
M3 - PTH074G25RXXXAA
M4 - PTH074G35AXXXAA
M5 - PTH074G35CXXXAA
M6 - PTH074G35QRXXAA
M7 - PTH074G35QXXXAA
M8 - PTH074G35RXXXAA

Front Assy



AJ Madison
Your Appliance Authority
800-570-3355

Front Assy

Ref. Part No:	No:	Description:	Ref. Part No:	No:	Description:
---------------	-----	--------------	---------------	-----	--------------

Image 1:

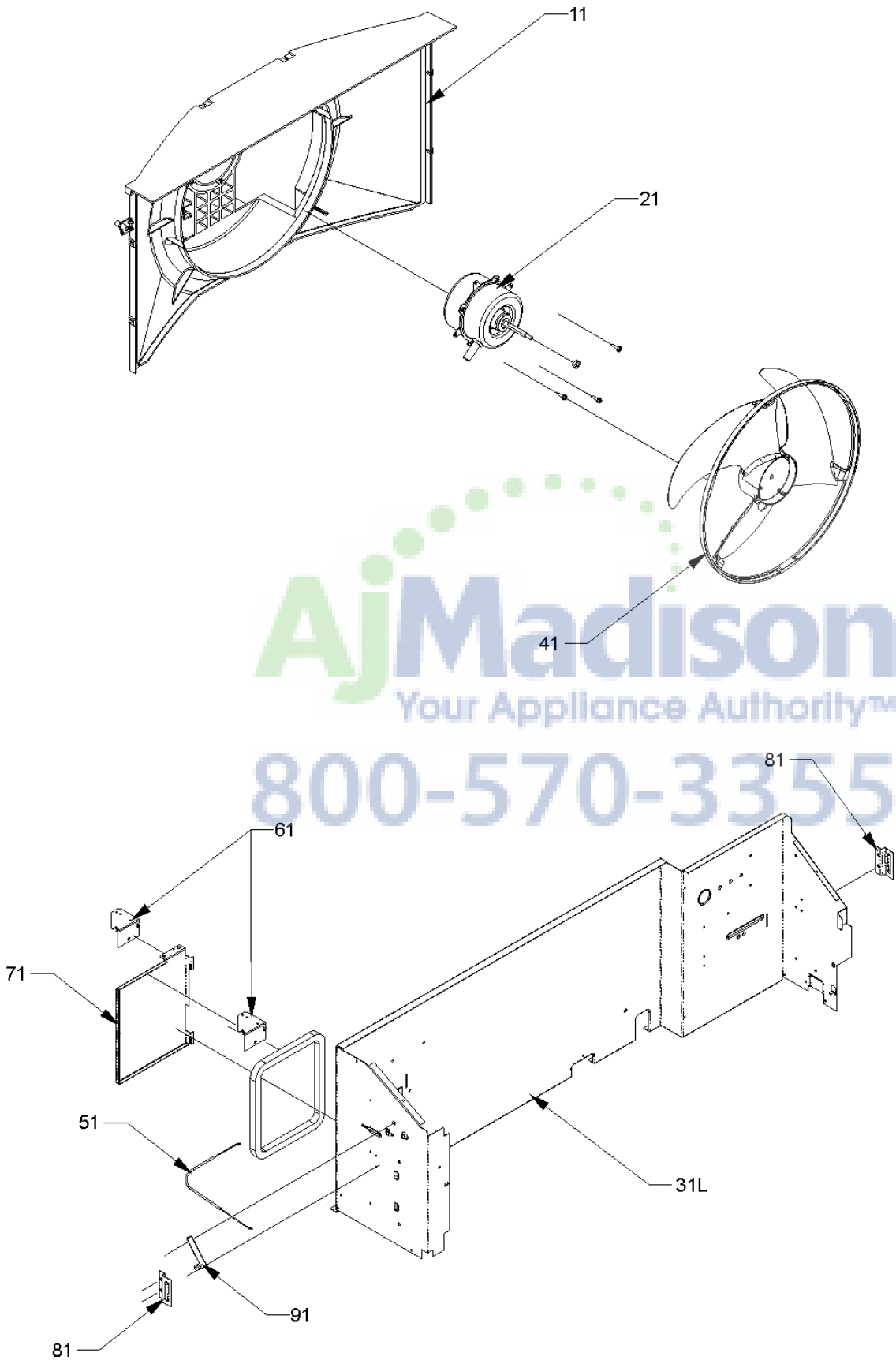
11	0161P00033	FRONT-DICHARGE LOUVERS
21	RSKP0010	CONTROL BOARD M61
31	20512501	TRANSFORMER (HYDRONIC)
41	0163P00025	CLIP (QTY 2)
51	0121P00001P	CONTROL PANEL COVER
61	0121P00073	SCREEN, DISCHARGE
71	0261P00003	DOOR ASSY -AMANA-
81	0261P00011	FRONT ASSY
91	C6476001	BAYONET FUSE HOLDER (M1, M2, M3)
91	C6476002	BAYONET FUSE HOLDER (M4, M5, M6, M7, M8)
121	0130M00097	RELAY
261	1261401	DIGITENNA (M3, M6, M8)
301	PCBEP100	VARIABLE SPEED TERMINAL BOARD
NS	0161P00035	FILTER, RACK (QTY 2)
NS	A3410402	FUSE 15A (M1, M2, M3)
NS	A3410403	FUSE 20A (M4, M5, M6, M7, M8)

Expanded Model Nomenclature

M1 - PTH074G25AXXXAA
M2 - PTH074G25CXXXAA
M3 - PTH074G25RXXXAA
M4 - PTH074G35AXXXAA
M5 - PTH074G35CXXXAA
M6 - PTH074G35QRXXAA
M7 - PTH074G35QXXXAA
M8 - PTH074G35RXXXAA



Chassis Control Panel



AjMadison
Your Appliance Authority™
800-570-3355

Chassis Control Panel

Ref. Part No: No:	Description:	Ref. Part No: No:	Description:
-------------------	--------------	-------------------	--------------

Image 1:

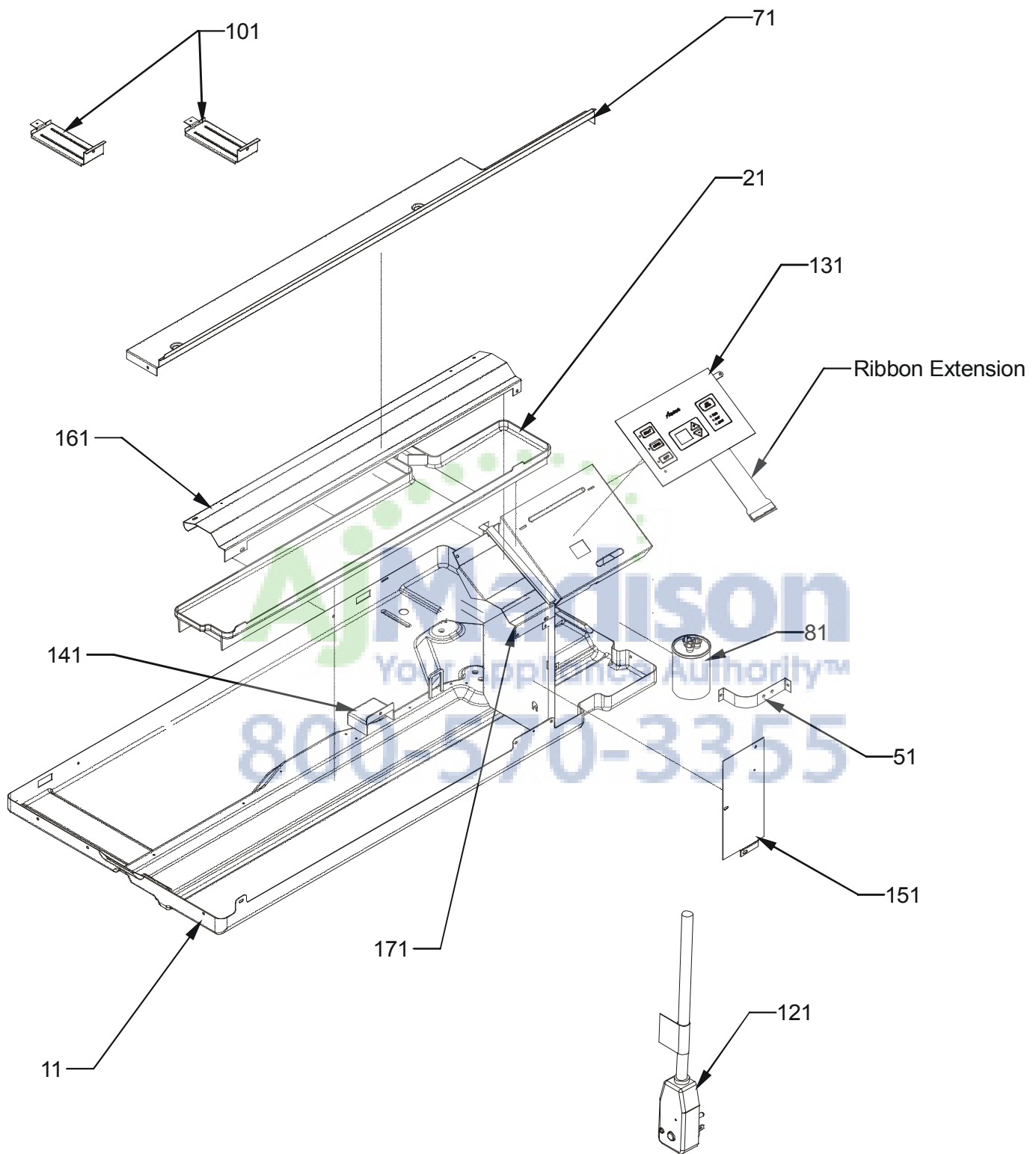
11	0161P00026	SHROUD, CONDENSER
21	0131P00034	FAN MOTOR, OUTDOOR
31	0121P00093	PANEL-PARTITION (M6, M7)
31	0121P00089DG	PANEL-PARTITION PNT (M1, M2, M3, M4, M5, M8)
41	0161P00030	FAN, CONDENSER
51	0163P00019	CABLE
61	0121P00072DG	BRACKET, VENT DOOR-C (M1, M2, M3, M4, M5, M8)
71	11046105PDG	VENT DOOR (M1, M2, M3, M4, M5, M8)
81	11191703	PARTITION PANEL BRACKET (QTY 2)
91	11046302	LEVER ARM (M1, M2, M3, M4, M5, M8)
NS	0130P00039	THERMISTOR-OUTDOOR AMBIENT (M3, M6, M8)

Expanded Model Nomenclature

- M1 - PTH074G25AXXXAA
- M2 - PTH074G25CXXXAA
- M3 - PTH074G25RXXXAA
- M4 - PTH074G35AXXXAA
- M5 - PTH074G35CXXXAA
- M6 - PTH074G35QRXXAA
- M7 - PTH074G35QXXXAA
- M8 - PTH074G35RXXXAA



Partition Assy



Partition Assy

Ref. Part No: No:	Description:	Ref. Part No: No:	Description:
-------------------	--------------	-------------------	--------------

Image 1:

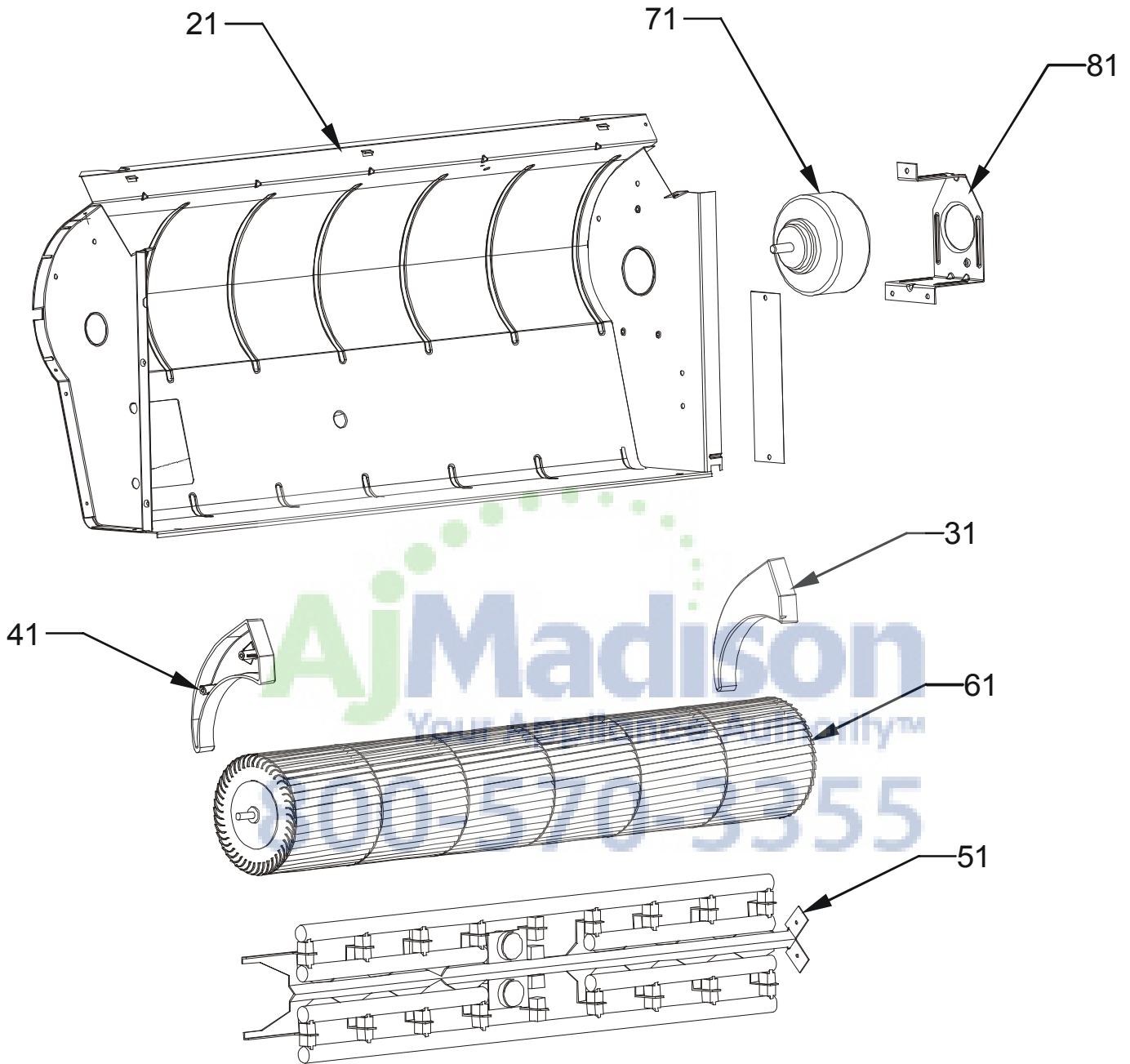
11	0121P00056DG	BASEPAN, PNT
21	0161P00044	PLASTIC-DRAIN PAN
51	C6300502	CAPACITOR STRAP
71	0121P00063DG	TOP - PARTITION PANEL
81	CAP020150450RS	CAP, 2/15 MFD/450V/DUAL RD
101	0121P00071DG	BRACE, TIE PNT (QTY 2)
121	11114701	CORD 277 VAC, 20A
131	RSKP0005	CONTROL PANEL COVER AND MEMBRANE
141	0161P00016	PLASTIC-HOOD
151	20410801	ACCESS COVER
161	0121P00061DG	CUTOFF-SCROLL DG
171	0121P00070DG	COVER, MOTOR PNT
NS	20403301	MID PARTITION PANEL
NS	20416201	SEAL-L SIDE PTC
NS	20416101	SEAL-R SIDE PTC

Expanded Model Nomenclature

M1 - PTH074G25AXXXAA
M2 - PTH074G25CXXXAA
M3 - PTH074G25RXXXAA
M4 - PTH074G35AXXXAA
M5 - PTH074G35CXXXAA
M6 - PTH074G35QRXXAA
M7 - PTH074G35QXXXAA
M8 - PTH074G35RXXXAA



Indoor Assy



Indoor Assy

Ref. Part No:	No:	Description:	Ref. Part No:	No:	Description:
---------------	-----	--------------	---------------	-----	--------------

Image 1:

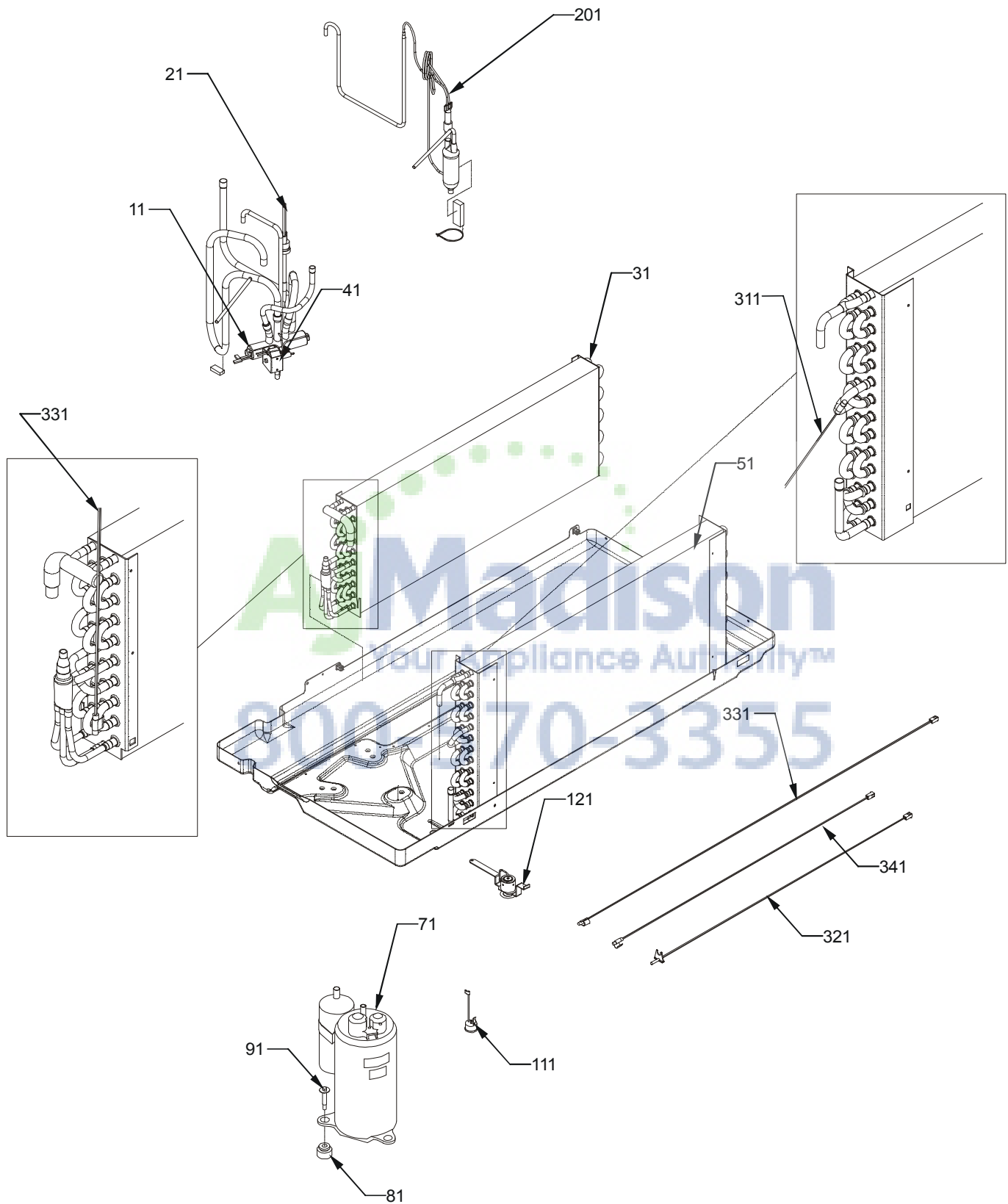
21	0270P01070	SCROLL ASSY
31	0161P00021	END CAP, RIGHT
41	0161P00022	END CAP, LEFT
51	0275P00023	HEATER ASSY (M1, M2, M3)
51	0275P00024	HEATER ASSY (M4, M5, M6, M7, M8)
61	0150P00004	WHEEL, BLOWER
71	0131P00029	FAN MOTOR, INDOOR
81	0121P00048	BRACKET-MOTOR MOUNT
NS	0163P00027	BEARING

Expanded Model Nomenclature

- M1 - PTH074G25AXXXAA
- M2 - PTH074G25CXXXAA
- M3 - PTH074G25RXXXAA
- M4 - PTH074G35AXXXAA
- M5 - PTH074G35CXXXAA
- M6 - PTH074G35QRXXXAA
- M7 - PTH074G35QXXXAA
- M8 - PTH074G35RXXXAA



Tubing Assy



Tubing Assy

Ref. Part No: No:	Description:	Ref. Part No: No:	Description:
-------------------	--------------	-------------------	--------------

Image 1:

11	0151P00001	REVERSING VALVE ASSY-265V
21	0130M00132	HIGH PRESSURE SWITCH
31	0202P00067	EVAP ASSY, 3/8, 2 ROW
41	0130P00022	REVERSING VALVE COIL
51	0201P00082	COND ASSY, 5/16, 2 ROW (M1, M3, M4, M6, M7, M8)
51	0201P00085DG	CONDENSER ASSY PNT (M2, M5)
71	39A167A	COMPRESSOR, RECHI
81	60110202	GROMMET - RECHI COMPRESSOR (QTY 3)
91	M0253661	SHOULDER SCREW (QTY 3)
111	60343547	OVERLOAD PROTECTOR
121	20406303	BASE PAN VALVE
201	0210P00181	CAPILLARY WELDMENT
311	20295709	THERMISTOR-HEAT PUMP
321	0130P00073	THERMISTOR
331	20295707	THERMISTOR-INDOOR COIL
341	0130P00075	THERMISTOR
NS	60500101	OLP SPRING - RECHI COMPRESSOR
NS	60100314	TERMINAL COVER - RECHI COMP
NS	60100103	TERMINAL GASKET
NS	60100401	TERMINAL NUT - RECHI COMP
NS	60100201	WASHER - RECHI COMPRESSOR

Expanded Model Nomenclature

M1 - PTH074G25AXXXAA
M2 - PTH074G25CXXXAA
M3 - PTH074G25RXXXAA
M4 - PTH074G35AXXXAA
M5 - PTH074G35CXXXAA
M6 - PTH074G35QRXXAA
M7 - PTH074G35QXXXAA
M8 - PTH074G35RXXXAA

