

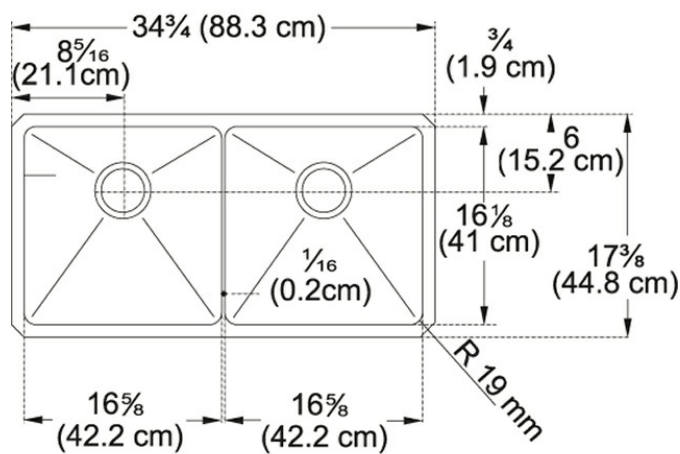
Professional Series PSX120339 Stainless Steel

Professional Series sinks are undermounted for an immaculate countertop. If an authentic restaurant kitchen is your fancy, the Professional Series is the real thing. It is designed with sturdy commercial-grade stainless (16-gauge) and is deep enough to accommodate the bulky equipment used by the serious cook.

Product Picture



Technical Drawing



Product Dimensions

Length overall	34 3/4"
Width overall	17 5/8"
Length of large bowl	16 5/8"
Width of large bowl	16 1/8"
Depth of large bowl	9 1/16"
Minimum Cabinet Size	39"

General Information

Type of Material	16 Gauge Stainless Steel
Number of Bowls	2
Installation Clips	Yes
Cut-Out Template	Yes
Where to buy	Showroom

Article Numbers

FUN#	122.0167.437
US Part Number	PSX120339

