

# PERFORMANCE SERIES

# 26"

## COOLER / COCKTAIL STATION



### *Create your own cool!*

Our 26" cooler was the first of its kind. A stainless steel cooler/cocktail station that looks like a built in BBQ. Featuring an internal removable condiment section with four trays that hold everything your guests need, from fresh cut limes, succulent olives, and tangy pickles or anything else that adds the sizzle in your favorite beverages or meals. A drainage plug keeps ice contained in the cavity and drains easily. The wide mouth front tray removes for easy cleaning and holds your specialty bar beverages, mixes or sodas.

**It's the redefinition of cool.**

#### MODELS AVAILABLE:

##### **PERFORMANCE SERIES MODELS:**

- PSQ26CLRBI (26" Performance Series Built in Cooler w/ rounded bull-nose)
- PSQ26CLRC (26" Performance Series Cooler on cart w/ two side shelves w/ rounded bull-nose)

##### **TITANIUM X GRILLS MODELS:**

- TXG26CLRBI (26" Titanium•X Built in Cooler w/ angled bull-nose)
- TXG26CLRC (26" Titanium•X Cooler on cart w/ two side shelves + angled bull-nose)

#### FEATURES:

- 304 stainless steel construction in elegant brush finish
- Insulated lid and body
- Removable internal condiment section with four trays
- Drainage plug
- Wide mouth front cavity for additional storage

#### ACCESSORIES:

- Vinyl Cover

 **MADE IN USA**



**THE POWER OF PERFORMANCE**

# 26" COOLER / COCKTAIL STATION

|                  | PERFORMANCE BUILT IN | TITANIUM-X BUILT IN | PERFORMANCE CART MODEL | TITANIUM-X CART MODEL |
|------------------|----------------------|---------------------|------------------------|-----------------------|
| MODEL #          | PSQ26CLRBI           | CCE26XCLRBI         | PSQ26CLR               | CCE26XCLR             |
| SHIPPING WEIGHT  | 80LBS                | 80LBS               | 140LBS                 | 140LBS                |
| INSULATED LID    | YES                  | YES                 | YES                    | YES                   |
| INSULATED BODY   | YES                  | YES                 | YES                    | YES                   |
| CONDIMENT TRAYS  | YES                  | YES                 | YES                    | YES                   |
| DRAIN PLUG       | YES                  | YES                 | YES                    | YES                   |
| ROUNDED BULLNOSE | YES                  | YES                 | NO                     | NO                    |
| ANGLED BULLNOSE  | NO                   | NO                  | YES                    | YES                   |
| TWO SHELVES      | NO                   | NO                  | YES                    | YES                   |
| DEEP FRONT TRAY  | YES                  | YES                 | YES                    | YES                   |
| COVER AVAILABLE  | YES                  | YES                 | YES                    | YES                   |

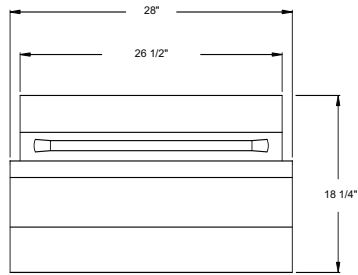
26" PERFORMANCE COOLER



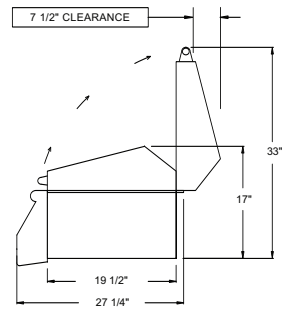
26" TITANIUM-X COOLER



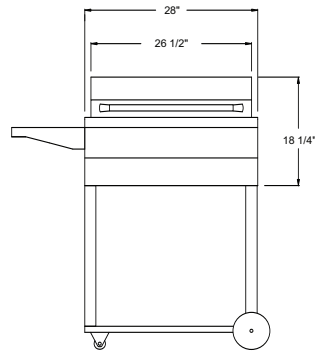
COOLER HEAD DIMENSIONS FRONT VIEW



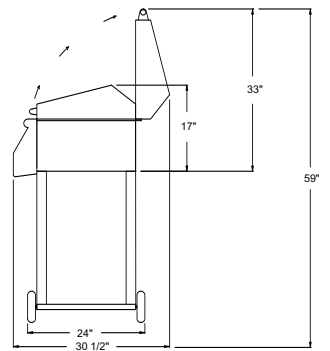
COOLER HEAD DIMENSIONS SIDE VIEW



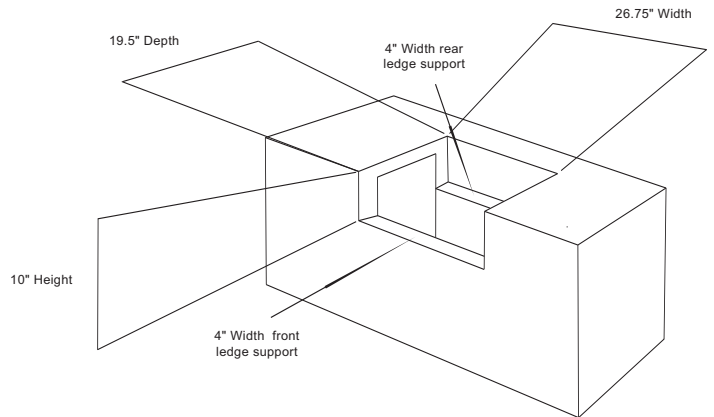
COOLER CART DIMENSIONS FRONT VIEW



COOLER CART DIMENSIONS SIDE VIEW



BUILT-IN COOLER CUT OUT DIMENSIONS



**NOTE:**

If the island has a backsplash, then the MINIMUM clearance between the cooler's back and the backsplash must be 6.5" for lid to open freely.

**IMPORTANT:**

Bottom of cooler MUST rest on front AND rear ledge to support weight.



THE POWER OF PERFORMANCE

13211 Florence Ave. • Santa Fe Springs • CA • 90670 • USA

Toll free: 866-402-4600 • Main: 562-903-1168 • Fax: 562-903-1167 • Email: customerservice@capital-cooking.com • Website: www.capital-cooking.com

\* Due to ongoing product improvements, these specifications are subject to change without notice.



Litho in USA  
87066-15