

Pacemaker® Triple Bowl Sink
20 Gauge, Type 304, Self Rim
Model PSMR4322



SPECIFICATIONS

GENERAL

Fine quality. Pacemaker triple bowl hospitality sink is seamlessly drawn of #20 gauge, type 304 (18-8) nickel bearing stainless steel. Self-rimming.

DESIGN FEATURES

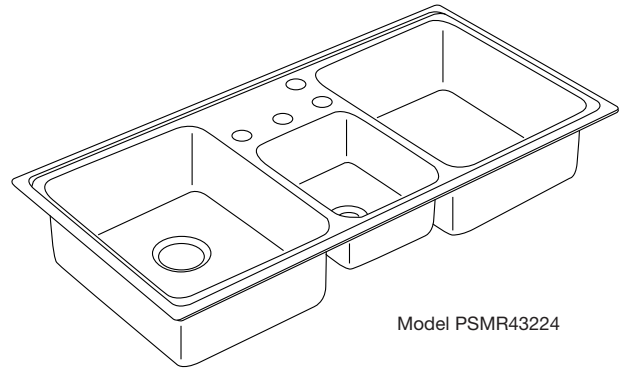
Bowl Depth: 7-1/4" (Left and Right Bowls), 5" (Center Bowl).
 Bowl and Faucet Deck Recess: 3/16" drop ledge.
 Finish: Exposed surfaces are polished to a lustrous, highlighted bright satin finish.
 Underside: Fully undercoated by heavy duty Sound Guard™ to prevent condensation and deaden sound.

OTHER

Drain Opening: 3-1/2".
 Faucet Holes: Available with 0, 3, 4 or 6, 1-1/2" diameter faucet holes. 4" centers.
 Recommended Sink Base: 48".

OPTIONAL ACCESSORIES

Rinsing Baskets: VB1816, LKRB715 or LKRB1614.
 Cutting Boards: CB912, CB1613 or CBT1613.
 This sink complies with ANSI Standard A112.19.3M.



Model PSMR43224

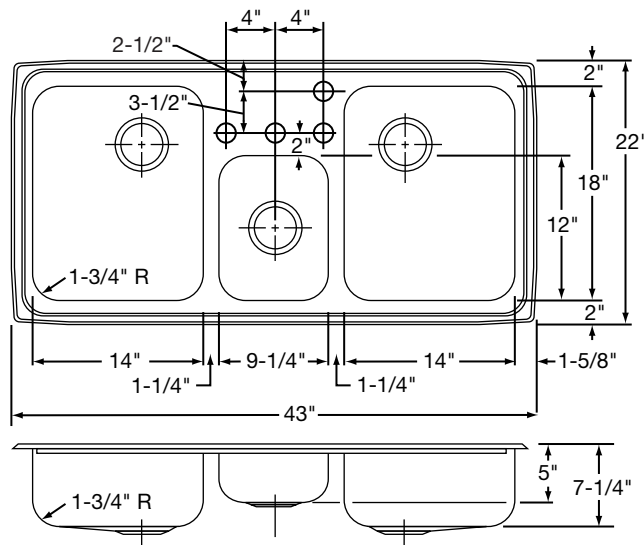


This sink is listed by the International Association of Plumbing and Mechanical Officials as meeting the requirements of the Uniform Plumbing Code.

SINK DIMENSIONS (INCHES)*

| Model Number | Overall | | Inside Left Bowl | | | Inside Center Bowl | | | Inside Right Bowl | | | Cutout in Countertop (1 1/2" Radius Corners) Overall | | Ship. Wt. Lbs. |
|--------------|---------|----|------------------|----|-------|--------------------|----|---|-------------------|----|-------|--|--------|----------------|
| | L | W | L | W | D | L | W | D | L | W | D | L | W | |
| PSMR4322 | 43 | 22 | 14 | 18 | 7 1/4 | 9 1/4 | 12 | 5 | 14 | 18 | 7 1/4 | 42 3/8 | 21 3/8 | 20 |

*Length is left to right. Width is front to back.



Model PSMR43224 Illustrated

ALL DIMENSIONS IN INCHES, TO CONVERT TO MILLIMETERS MULTIPLY BY 25.4.

In keeping with our policy of continuing product improvement, Elkay reserves the right to change product specifications without notice.

This specification describes an Elkay product with design, quality and functional benefits to the user. When making a comparison of other producers' offerings, be certain these features are not overlooked.