

# Installation Instructions

**Advantium®**  
**120V Built-In**  
**SpeedCook Oven**

ZSC1001  
PSB9100



MFL59060919

**31-2000002-3**

MFL59060919

07-20 GEA

# Safety Information

## BEFORE YOU BEGIN

Read these instructions completely and carefully.

**IMPORTANT** — Save these instructions for local inspector's use.

**IMPORTANT** — Observe all governing codes and ordinances.

- **Note to Installer** — Be sure to leave these instructions with the Consumer.
- **Note to Consumer** — Keep these instructions with your Owner's Manual for future reference.
- **Skill Level** — Installation of this appliance requires basic mechanical and electrical skills.
- **Completion Time — 1 Hour.**
- Proper installation is the responsibility of the installer. Product failure due to improper installation is not covered under the warranty. See Owner's Manual for warranty information.

**NOTE:** This oven is only approved to be installed under the specific models as labeled on this unit.

**IMPORTANT** — Use this oven only for its intended purpose. Never use the oven for warming or heating a room. Prolonged use of the oven without proper ventilation can be hazardous.

**⚠ CAUTION** For personal safety, remove house fuse or oven circuit breaker before beginning installation to avoid severe or fatal shock injury.

**⚠ CAUTION** For personal safety, the mounting surface must be capable of supporting the cabinet load, in addition to the added weight of the oven and drawer, plus additional oven loads.

**⚠ CAUTION** If installing the Advantium 120V Oven below 36", you must use the **plastic** bottom trim due to burn risk to children. The plastic trim acts as insulation and will help prevent burns to children from hot surfaces.

## CONTENTS

### Design Information

Models Available .....	2
Product Dimensions and Clearances .....	3
Tools Required .....	3
Parts Supplied .....	3

### Installation Preparation

Electrical Requirements .....	4
Preparing the Opening (Standard) .....	5-6
Remove Packaging (Standard) .....	6
Preparing the Opening (Flush Mount) .....	7-8
Remove Packaging (Flush Mount) .....	8

### Installation Instructions

Step 1, Slide the Oven into the Cutout .....	9
Step 2, Install Bottom Trim .....	9
Step 3, Install Side Trim .....	9
Step 4, Install Mounting Screws .....	9
Step 5, Finalize Installation .....	9

## MODELS AVAILABLE

### Monogram Models:

ZSC1001 SS—Stainless Steel

### Profile Models:

PSB9100DFWW—White

PSB9100DFBB—Black

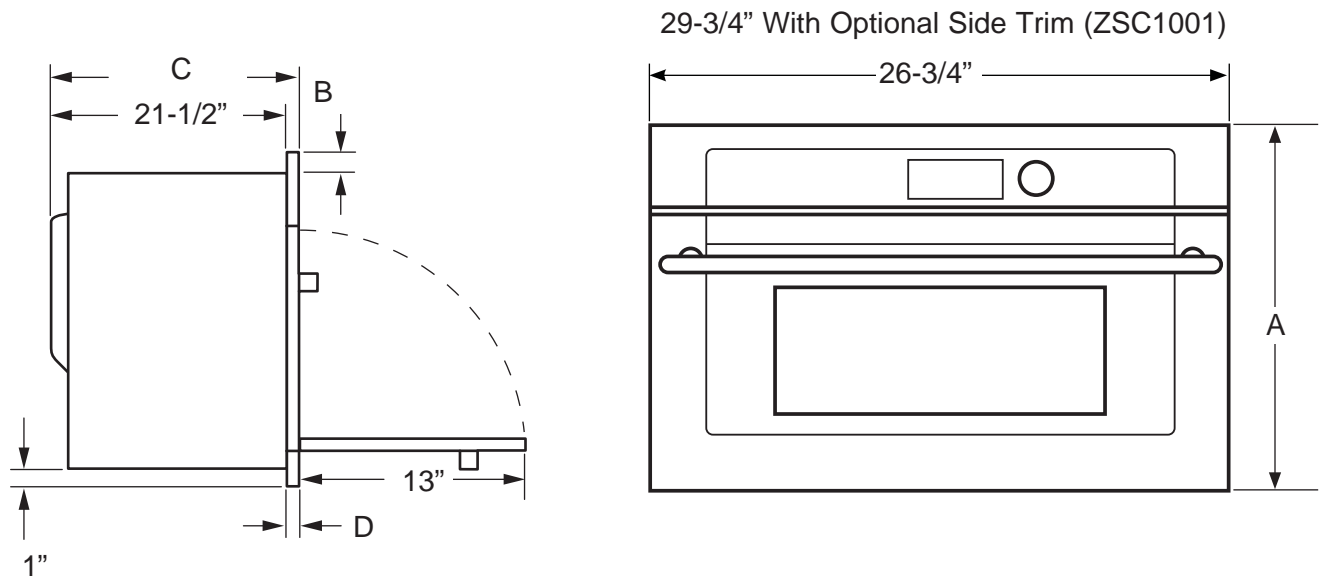
PSB9100SFSS—Stainless Steel

PSB9100BLTS—Black Stainless Steel

PSB9100EFES—Slate

# Design Information

## PRODUCT DIMENSIONS AND CLEARANCES



### TOOLS AND PARTS REQUIRED (NOT SUPPLIED)

- #2 Phillips screwdriver
- Hand-held drill
- High speed drill bit, 3/32" diameter
- 3/8" slot-head screwdriver

	ZSC1001	PSB9100
A	18-5/8"	19"
B	3/4"	1"
C	22-3/4"	22-11/16"
D	1-1/4"	1-3/16"

### PARTS SUPPLIED

- 6 screws (3 required, 3 extra)
- 5 color-matched screws (4 required, 1 extra)
- 2 side trim pieces
- Bottom trim

### FLUSH MOUNT INSTALLATION

This installation method allows for the unit face to be inline with the cabinet face.

**IMPORTANT: HIGH SKILL LEVEL IN CARPENTRY IS REQUIRED. Non-standard cabinetry may be required.**

Flush installation of the oven will lead to the exposure of the cabinet face frame edges.

Side cleats may be visible and should be a finished surface.

### ADVANCE PLANNING

- These ovens may be installed directly into a 27" wide oven cabinet with standard installation.
- Cutout height dimensions are different for installations with an accessory storage drawer. Make sure to use the correct cutout when preparing the opening.
- Allow for clearance to adjacent corners, walls, drawers, etc.

The oven must be securely installed in a cabinet that is firmly attached to the house structure.

Weight on the oven door could cause the oven to tip and result in injury. Never allow anyone to climb, sit, stand or hang on the oven door.

If installing the drawer accessory, the drawer must be assembled to the oven prior to installation into the cabinet. See the **Accessory Storage Drawer Assembly Instructions**.

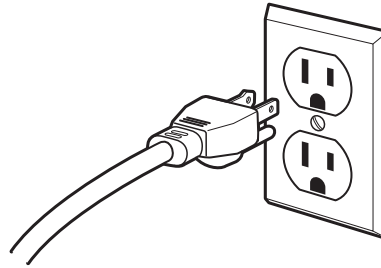
# Installation Preparation

## ELECTRICAL REQUIREMENTS

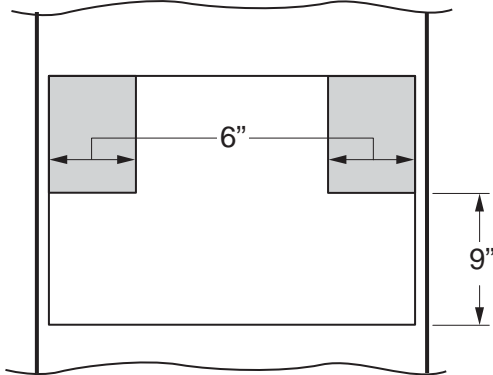
### Single Advantium 120 Installation:

This product requires a 120-volt, 60 Hz, 15-amp circuit and draws 1.8 kilowatts. This product must be connected to a supply circuit of the proper voltage and frequency.

- Wire size must conform to the requirements of the National Electrical Code or the prevailing local code for this kilowatt rating.
- The power supply cord and plug should be brought to a separate 15 or 20 ampere branch circuit single grounded receptacle. The outlet box should be located within reach of the 48" power cord.



## ELECTRICAL LOCATION



Locate outlet box in the shaded area

Install a recessed electrical outlet in the back wall of the opening within 6" of either side and at least 9" above the cutout floor.

## GROUNDING INSTRUCTIONS

This appliance must be grounded. In the event of an electrical short circuit, grounding reduces the risk of electric shock by providing an escape wire for electric current. This appliance is equipped with a cord having a grounding wire with a grounding plug. The plug must be plugged into an outlet that is properly installed and grounded.

**⚠ WARNING** Improper use of the grounding plug can result in a risk of electric shock.

### Important: (Please read carefully).

The power cord of this appliance is equipped with a three-prong (grounding) plug that mates with a standard three-prong grounding wall receptacle to minimize the possibility of electric shock. Consult a qualified electrician or serviceman if the grounding instructions are not completely understood, or if doubt exists as to whether the appliance is properly grounded.

- Where a standard two-prong wall receptacle is encountered, it is the personal responsibility and obligation of the consumer to have it replaced with a properly grounded three-prong wall receptacle.

Do not, under any circumstances, cut or remove the third (ground) prong from the power cord.

**DO NOT USE AN EXTENSION CORD.** If the power supply cord is too short, have a qualified electrician or serviceman install an outlet near the appliance.

# Standard Installation Preparation

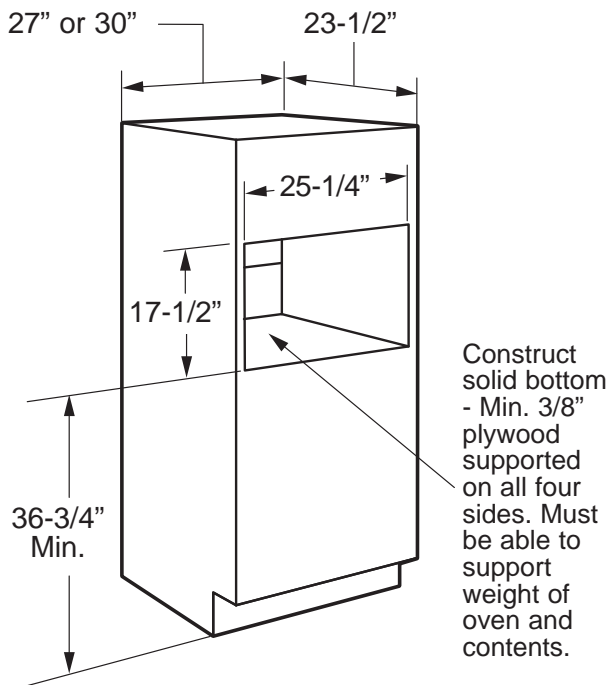
**IMPORTANT:** Always maintain 36-3/4" minimum height from the floor to the cutout in any single or combined installation.

## PREPARE THE OPENING

The Advantium 120 can be installed in combination with other Built-In Appliances. Always follow each product's Installation Instructions to complete the installation.

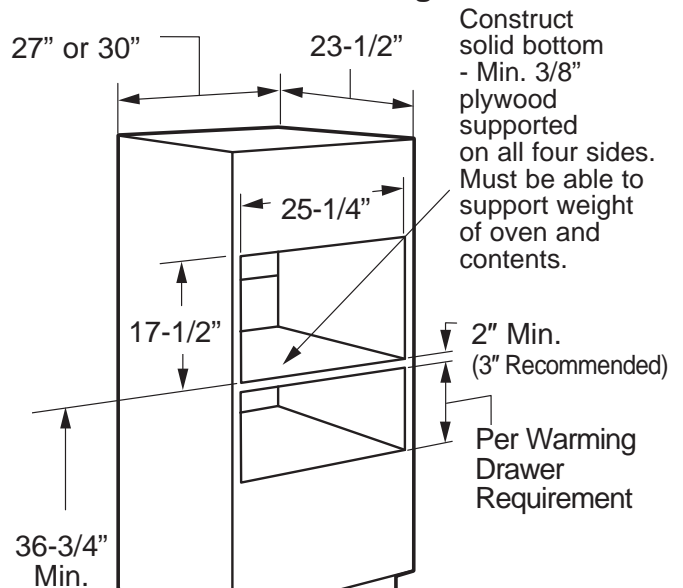
### Single Advantium 120 Installation:

Order a 27" or 30" wide single oven cabinet or cut the opening in a wall to the dimensions shown.



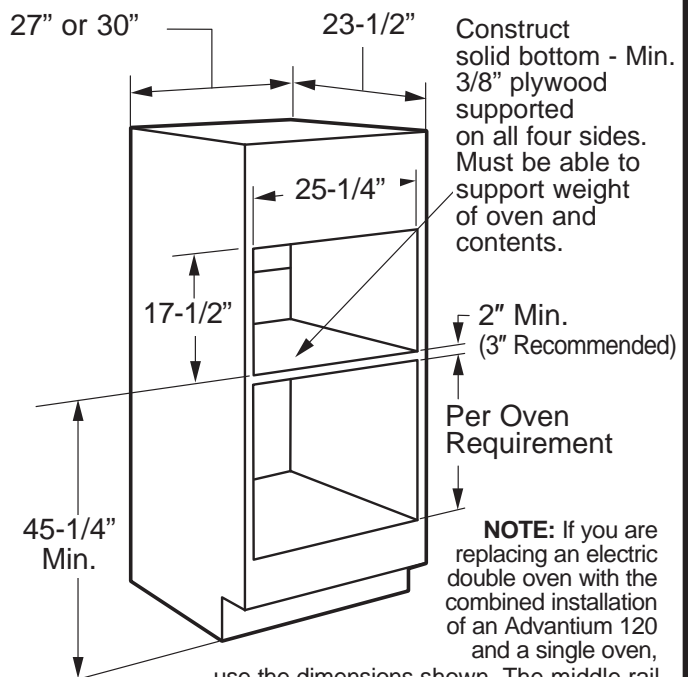
- Allow the following clearances around the cutout on the front surface of the cabinet: 1/4" from the top for ZSC1001 models or 5/8" from the top for PSB9100 models, 7/8" from the side edges, and 1-1/8" from the bottom. (Note: these refer to minimum clearances required for installation and do not reflect actual product dimensions.)
- Oven overlaps will conceal cut edges on all sides of the opening. When installed over a single oven or a warming drawer, allow at least 2" between the two openings. This separation will provide clearance for bottom overlap of the Advantium 120 and the other appliance overlaps.
- The support must be level and rigidly mounted, flush with the bottom edge of the cutout.

## PREPARE THE OPENING (CONT.) Installation over a Warming Drawer:



**NOTE:** Additional clearances between the cutouts may be required. Check to be sure the oven supports above the Warming Drawer location does not obstruct the required interior depth and height. See Warming Drawer installation instructions for details.

## PREPARE THE OPENING (CONT.) Installation over a Wall Oven:



**NOTE:** If you are replacing an electric double oven with the combined installation of an Advantium 120 and a single oven, use the dimensions shown. The middle rail separating the two openings may need to be larger than the 2" minimum shown.

# Standard Installation Preparation

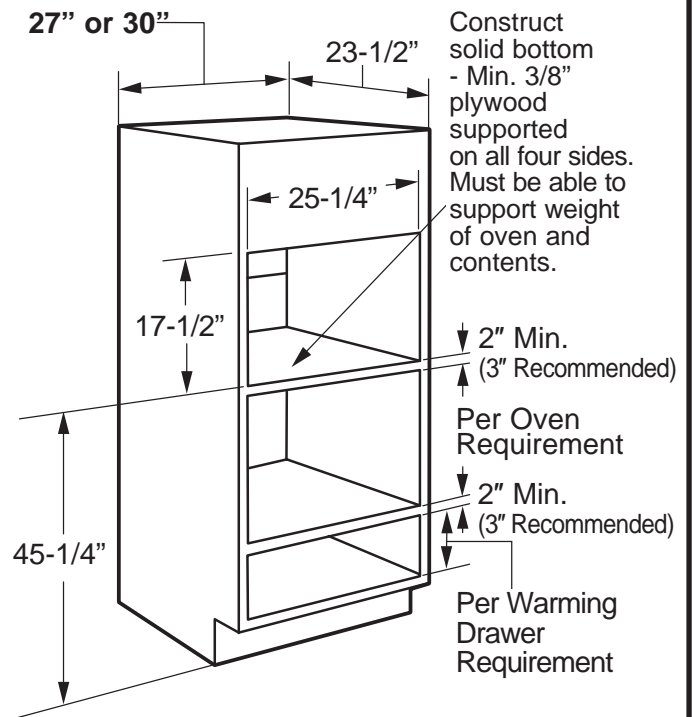
**IMPORTANT:** Always maintain 36-3/4" minimum height from the floor to the cutout in any single or combined installation.

## PREPARE THE OPENING (CONT.)

### Installation over a Wall Oven and Warming Drawer:

**NOTE:** Additional clearances between the cutouts may be required. Check to be sure the oven supports above the Warming Drawer location does not obstruct the required interior depth and height. See Warming Drawer installation instructions for details.

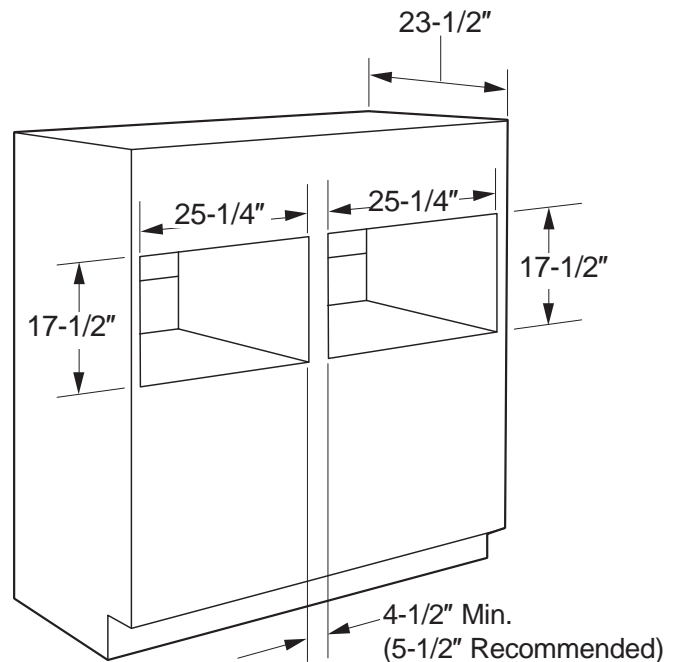
**CAUTION** For personal safety, the mounting surface must be capable of supporting the cabinet load, in addition to the added weight of the oven and drawer, plus additional oven loads.



## PREPARE THE OPENING (cont.)

### Installation beside another Built-in Speedcook Oven:

- If you are mounting one Built-In Speedcook Oven beside the other, use the dimensions shown. The middle rail separating the two openings may need to be larger than the 4-1/2" minimum shown.



## REMOVE THE PACKAGING

- Lift the oven out of the carton.
- Remove all packing material and tape.
- Open the door and remove parts box.
- Locate parts package containing mounting screws.

# Flush Mount Installation Preparation (Monogram Only)

**IMPORTANT:** Always maintain 36-3/4" minimum height from the floor to the cutout in any single or combined installation.

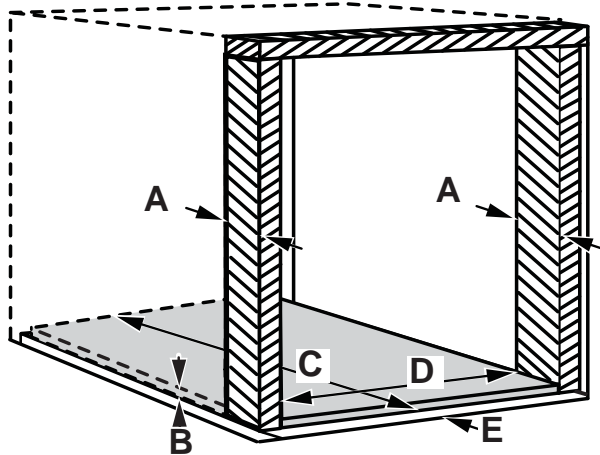
## PREPARE THE INTERIOR

### Cut and install side cleats:

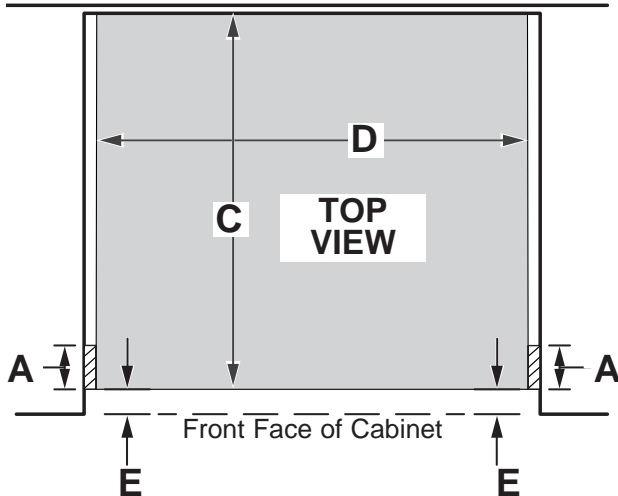
- Cut side wood cleats to height of cabinet opening and approx. 2-1/2" in depth. Install, on each side, Dim. E from the front face of the cabinet.

### Cut and install bottom cleat:

- Cut bottom wood cleat to a height of 1-1/8", a depth of the cabinet **minus** Dim. E and a width of 25-1/4" to fit between side cleats. Install onto the cabinet floor between the side cleats, push it all the way back against cabinet wall and make sure its front face aligns with the front faces of the side cleats (Dim. E gap from the front cabinet face).



A	Side and top cleats depth	2-1/2" min.
B	Bottom cleat height	1-1/8"
C	Bottom cleat depth	Cabinet depth minus Dim. E
D	Bottom cleat width	25-1/4"
E	All four cleats inset depth	1-1/4"

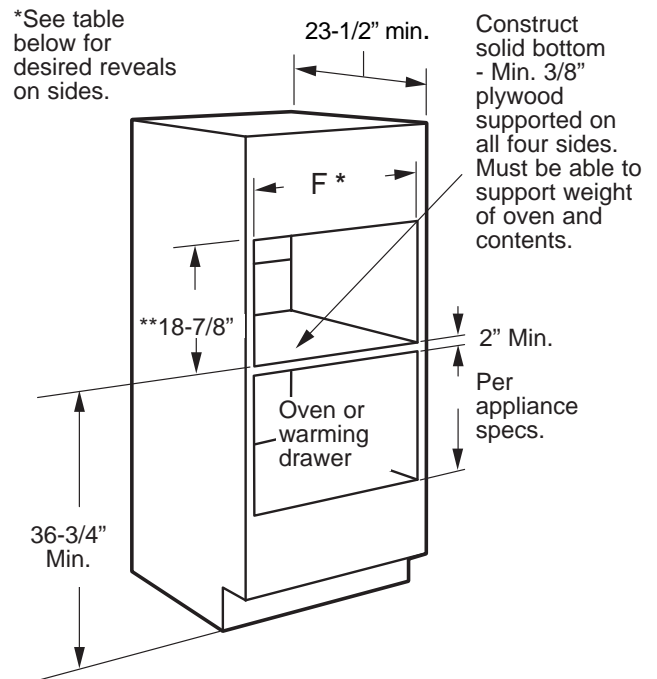


## PREPARE THE OPENING

The Advantium 120 can be installed in combination with other Built-In Appliances. Always follow each product's Installation Instructions to complete the installation.

### Single Advantium 120 Installation:

Cut the opening in a cabinet to the dimensions shown.



- The support must be level and rigidly mounted, flush with the bottom edge of the cutout.

Approved Flush Installation	Dimension F	
	1/8" Reveal	1/4" Reveal
Single Advantium	27"	27-1/4"
Over Warming Drawer	27"	27-1/4"
Over Oven	27"	27-1/4"
Over Oven and Warming Drawer	27"	27-1/4"
Over Built-in Speedcook Oven	27"	27-1/4"
Double Advantium (side by side)	See page 8	
Under Cooktop or Countertop	See page 8	

\*\* Top and bottom reveals are set to 1/8".

# Flush Mount Installation Preparation (Monogram Only)

**IMPORTANT:** Always maintain 36-3/4" minimum height from the floor to the cutout in any single or combined installation.

## PREPARE THE OPENING

The Advantium 120 can be installed beside another Advantium 120 in a side-by-side combination.

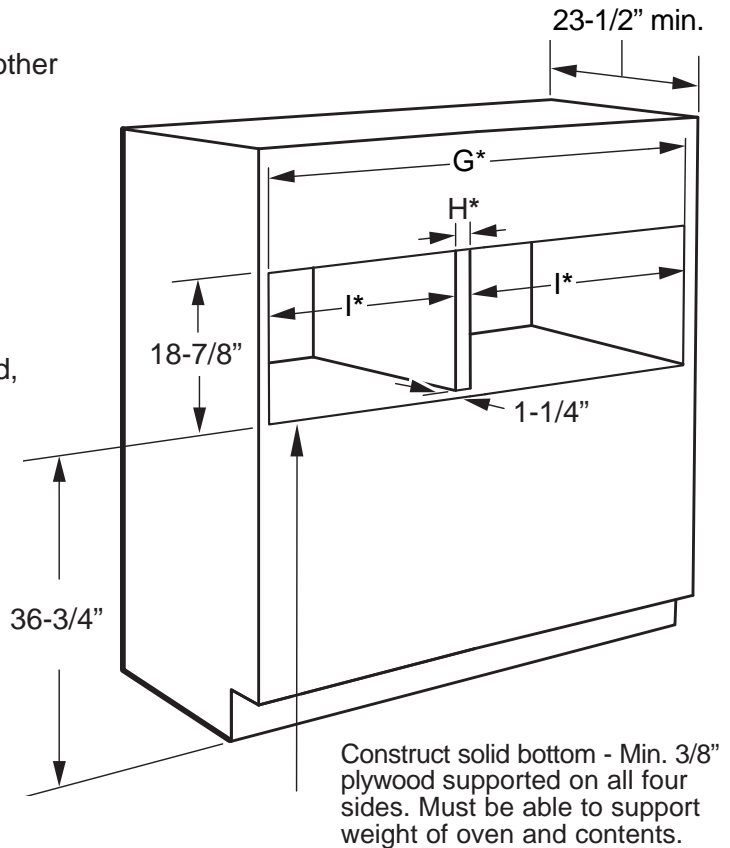
### Double Advantium 120 Installation:

Cut the opening in a cabinet to the dimensions shown.

- Center divider acts as cleat for side of each respective unit. Only one additional side cleat needed per oven cutout.
- The support must be level and rigidly mounted, flush with the bottom edge of the cutout.

\*See table for desired reveals on sides and between unit.

Dimension	1/8" Reveal	1/4" Reveal
G	53-7/8"	54-1/4"
H	1-5/8"	1-3/4"
I	26-1/8"	26-1/4"



## REMOVE THE PACKAGING

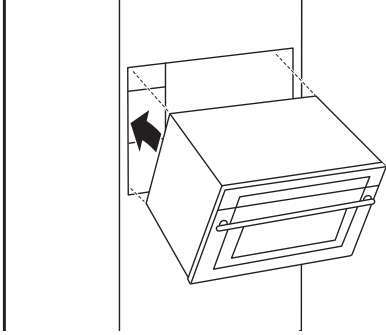
- Lift the oven out of the carton.
- Remove all packing material and tape.
- Open the door and remove parts box.
- Locate parts package containing mounting screws.



# Installation

## STEP 1 SLIDE OVEN INTO CUTOUT

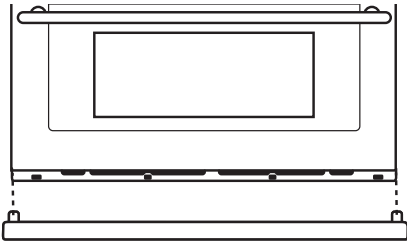
**⚠ CAUTION** Two people are required to lift the oven into the opening. Grasp the bottom at the front and rear. **DO NOT USE THE HANDLE TO LIFT THE OVEN. DAMAGE WILL OCCUR!**



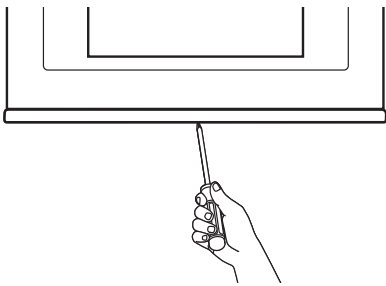
- Lift and hold the oven at the front of the opening. Hold the oven at a 45° angle and plug in the power cord.
- Carefully, slide the oven into the cabinet part way. Leave the oven a few inches forward of the cabinet frame.
- Check to be sure the power cord is not trapped under the oven or along the sides of the oven.

## STEP 2 INSTALL BOTTOM TRIM

- Align bottom trim tabs to slots in the bottom of the oven.

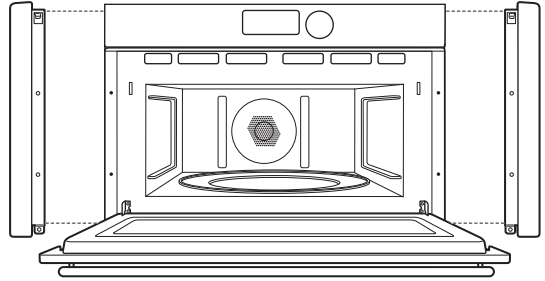


- Secure the bottom trim to the bottom of the oven using 3 brass screws provided.



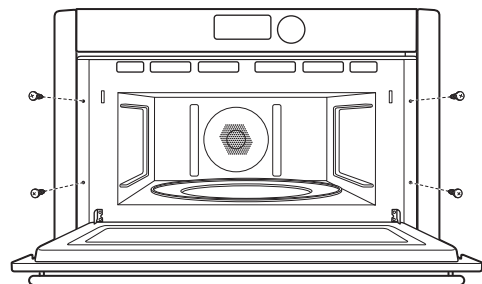
## STEP 3 INSTALL SIDE TRIM

**FOR 30" CABINET INSTALLATION ONLY. SKIP THIS STEP IF YOU HAVE 27" WIDE CABINETRY.**



- Open the oven door.
- Hang the side trim pieces on the tabs behind the oven flange. The screw holes in the side trim should align with the holes in the oven flange.
- Check to be sure the oven is pushed back into the opening and against the cabinet frame.
- If the side trim is used in flush installation, modify cabinet cutout and side cleat thickness accordingly.

## STEP 4 INSTALL MOUNTING SCREWS



- Drill pilot holes through the side flanges, 2 on each side.
- Drive the color matched screws into the side flange (and side trim, if applied).

## STEP 5 FINALIZE INSTALLATION

- Turn power on at the source. The interior light should come on when the door is opened.
- Refer to the Owner's Manual for operating instructions.

**NOTE:** While performing installations described in this book, safety glasses or goggles should be worn.

**NOTE:** Product improvement is a continuing endeavor at GE Appliances. Therefore, materials, appearance and specifications are subject to change without notice.



**GE APPLIANCES**

# Instrucciones de Instalación

**Horno con Velocidad  
de Cocción Incorporada  
Advantium® 120V**

ZSC1001  
PSB9100



MFL59060919

**31-2000002-3**

MFL59060919

07-20 GEA

# Información sobre Seguridad

## ANTES DE COMENZAR


Lea estas instrucciones en su totalidad y atentamente.


**IMPORTANTE** — Conserve estas instrucciones para uso del inspector local.


**IMPORTANTE** — Cumpla con todos los códigos y ordenanzas gubernamentales.

- **Nota para el Instalador** — Asegúrese de que el Comprador conserve estas instrucciones.
  - **Nota para el Consumidor** — Guarde estas instrucciones con su Manual del Propietario para referencia futura.
  - **Nivel de habilidad** — La instalación de este electrodoméstico requiere un nivel básico de habilidades mecánicas y eléctricas.
  - **Tiempo de Compleción** — 1 Hora.
  - Es responsabilidad del instalador realizar una instalación adecuada. Si se producen fallas en el producto debido a una instalación inadecuada, la garantía no cubrirá las mismas. Para obtener información sobre la garantía, consulte el Manual del Propietario.
- NOTA:** Sólo se aprueba la instalación de este horno de acuerdo con los modelos específicos que aparecen etiquetados en esta unidad.

**IMPORTANTE** — Use este electrodoméstico sólo para su propósito original. Nunca use el electrodoméstico para calentar o calefaccionar una habitación. El uso prolongado del horno sin una ventilación adecuada puede ser riesgoso.

 **PRECAUCIÓN** Para su seguridad personal, retire el fusible del hogar o el disyuntor abierto antes de comenzar la instalación, a fin de evitar lesiones graves o una descarga mortal.

 **PRECAUCIÓN** Para su seguridad personal, la superficie de instalación deberá poder soportar la carga del gabinete, además del peso agregado del horno y el cajón, sumado esto a las cargas adicionales del horno.

 **PRECAUCIÓN** Si instalará el Horno Advantium120V por debajo de 36", deberá usar la moldura inferior de plástico debido a riesgos de quemaduras de los niños. La moldura de plástico actúa como aislante y ayudará a evitar que los niños sufran quemaduras sobre las superficies calientes.

## CONTENIDOS

### Información de Diseños

Modelos Disponibles .....	2
Dimensiones y Espacios de Despeje del Producto ..	3
Herramientas Necesarias.....	3
Piezas Suministradas.....	3
Planificación Anticipada .....	3

### Preparación de la Instalación

Requisitos Eléctricos .....	4
Preparación de la Abertura (Estándar) .....	5-6
Retiro del Embalaje (Estándar) .....	6
Preparación de la Abertura (Montaje al Ras).7-8	
Retiro del Embalaje(Montaje al Ras) .....	8

### Instrucciones de Instalación

Paso 1, Deslice el Horno en la Abertura.....	9
Paso 2, Instale la Moldura Inferior .....	9
Paso 3, Instale la Moldura Lateral .....	9
Paso 4, Instale los Tornillos de Montaje .....	9
Paso 5, Finalice la Instalación.....	9

## MODELOS DISPONIBLES

### Modelos de Monogram:

ZSC1001 SS–Acero Inoxidable

### Modelos de Profile:

PSB9100DFWW–Blanco

PSB9100DFBB–Negro

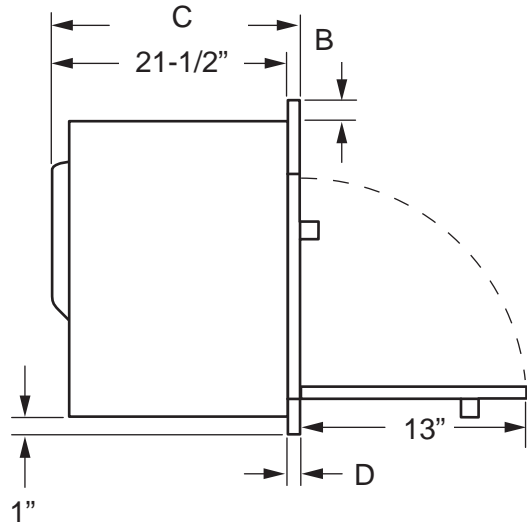
PSB9100SFSS–Acero Inoxidable

PSB9100BLTS–Acero Inoxidable Negro

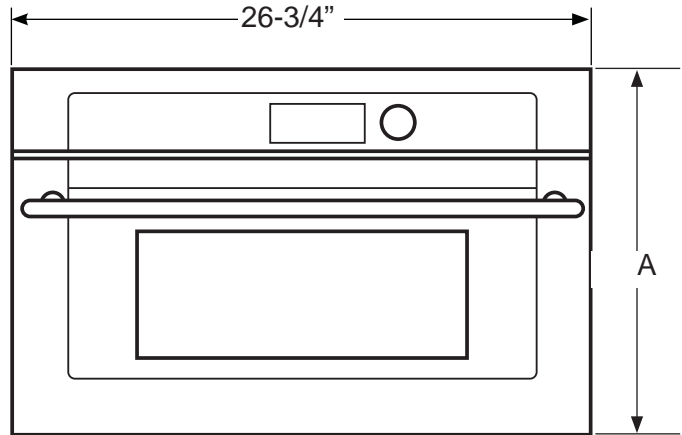
PSB9100EFES–Pizarra

# Información de Diseños

## DIMENSIONES Y ESPACIOS DE DESPEJE DEL PRODUCTO a



29 3/4" con Moldura Lateral Opcional (ZSC1001)



### HERRAMIENTAS Y PIEZAS REQUERIDAS (NO SUMINISTRADAS)

- Destornillador Phillips nº 2
- Perforadora manual
- Taladro de alta velocidad, diámetro de 3/32"
- Destornillador con punta Phillips de 3/8"

	ZSC1001	PSB9100
A	18-5/8"	19"
B	3/4"	1"
C	22-3/4"	22-11/16"
D	1-1/4"	1-3/16"

### PIEZAS PROVISTAS

- 6 tornillos (3 requeridos, 3 adicionales)
- 5 tornillos que coinciden en color (4 requeridos, 1 adicional)
- 2 piezas de moldura lateral
- Moldura inferior

### INSTALACIÓN DEL MONTAJE AL RAS (Monogram únicamente)

Este método de instalación permite que la cara de la unidad quede alineada con la cara del gabinete.

**IMPORTANTE: SE REQUIERE UN NIVEL DE HABILIDAD ALTO EN CARPINTERÍA. Se podrán adquirir gabinetes no estándares.**

La instalación al ras del horno hará que se expongan los extremos del marco de la cara del gabinete.

Los ristreles laterales podrán quedar visibles y deberán poseer una superficie acabada.

### PLANIFICACIÓN ANTICIPADA

- Estos hornos pueden ser instalados directamente en un gabinete para horno de 30" de ancho, utilizando la instalación estándar.
- Las dimensiones de altura de la abertura son diferentes para las instalaciones con un cajón de almacenamiento de accesorios. Asegúrese de usar el recorte correcto al preparar la abertura.
- Deje espacio en relación a las esquinas adyacentes, paredes, cajones, etc.

El horno debe ser instalado de forma segura en un gabinete que esté adherido de manera firme a la estructura de la casa. Cualquier peso sobre la puerta del horno podrá hacer que éste se incline y se produzcan lesiones. Nunca permita que nadie se trepe, siente, pare ni cuelgue de la puerta del horno. Si instalará el accesorio para cajones, el cajón deberá ser ensamblado al horno antes de la instalación en el gabinete. Consulte las **Instrucciones de Ensamble del Cajón de Almacenamiento de Accesorios.**

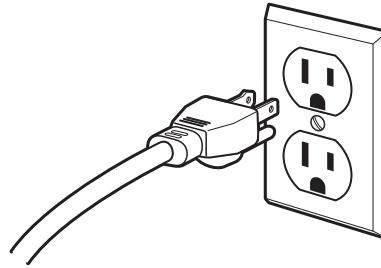
# Preparación de la Instalación

## REQUISITOS ELÉCTRICOS

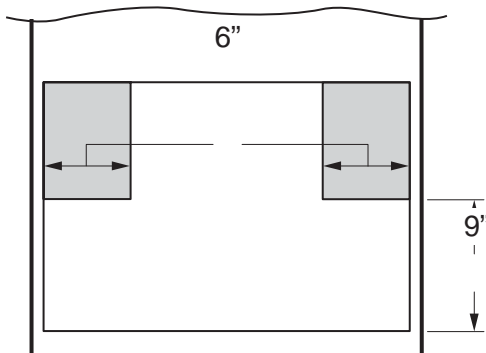
### Instalación Simple del Advantium 120:

Este producto requiere un circuito de 120 voltios, 60 Hz, 15 amperes y consume 1.8 kilowatts. Este producto se debe conectar a un circuito con un suministro correcto de voltaje y frecuencia.

- El tamaño del cable deberá ser conforme a los requisitos del Código Eléctrico Nacional o del código local obligatorio con relación a la cantidad de kilowatts.
- El cable y el enchufe de suministro de corriente se deberán conectar al tomacorriente simple con conexión a tierra de un disyuntor de entre 15 y 20 amperes. La caja del tomacorriente deberá ser ubicada dentro del alcance del cable de corriente de 48".



## UBICACIÓN ELÉCTRICA



Ubique la caja del tomacorriente en el área sombreada.

Instale un tomacorriente eléctrico empotrado en la pared trasera de la abertura, dentro de las 6" de cualquiera de los lados y a por los menos 9" sobre el piso del recorte.

## INSTRUCCIONES DE CONEXIÓN A TIERRA

Este electrodoméstico deberá estar conectado a tierra. En caso de que se produzca un cortocircuito, la conexión a tierra reduce el riesgo de descarga eléctrica, brindando un cable de escape de la corriente eléctrica. Este electrodoméstico está equipado con un cable de corriente que posee un cable de conexión a tierra con un enchufe a tierra. El enchufe se deberá colocar en un tomacorriente instalado y conectado a tierra de forma adecuada.

**⚠ ADVERTENCIA** El uso inadecuado del enchufe de conexión a tierra puede provocar riesgos de descargas eléctricas.

**IMPORTANTE: (Se solicita leer detenidamente).** El cable de corriente de este electrodoméstico cuenta con un enchufe de 3 clavijas (con cable a tierra) que se conecta a un tomacorriente de pared estándar de 3 clavijas para minimizar la posibilidad de descargas eléctricas. Consulte a un electricista calificado o al personal del servicio técnico en caso de que las instrucciones de conexión a tierra no se entiendan completamente, o si tiene dudas sobre si el electrodoméstico está conectado a tierra de forma apropiada.

- En caso de contar con un receptáculo de pared de dos clavijas, es la responsabilidad y obligación del cliente reemplazarlo por un tomacorriente de pared de tres clavijas correctamente conectado a tierra.

Nunca, bajo ninguna circunstancia, corte ni elimine el tercer cable (tierra) del cable de corriente.

**NO USE UN PROLONGADOR.** Si el cable de corriente es demasiado corto, solicite a un electricista calificado o al personal del servicio técnico que instale un tomacorriente cerca del electrodoméstico.

# Standard Installation Preparation

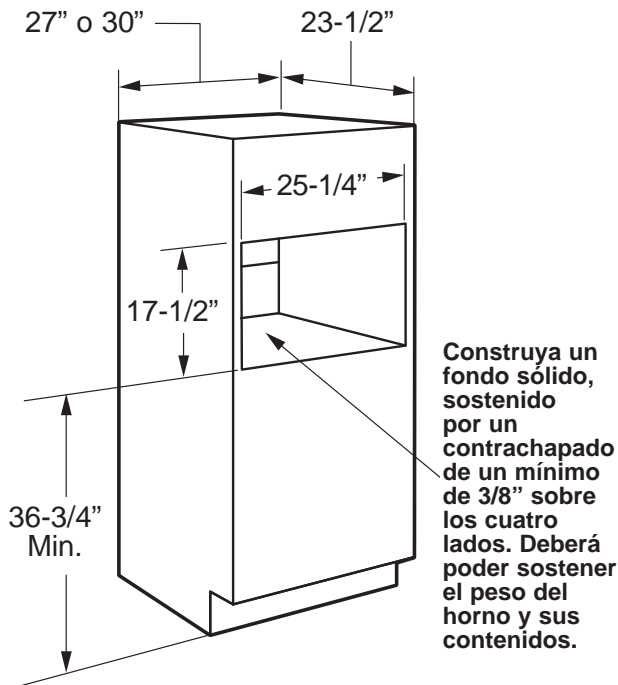
**IMPORTANTE:** Siempre deje una altura mínima de 36 3/4" desde el piso hasta el recorte en cualquier instalación, ya sea simple o combinada.

## PREPARACIÓN DE LA ABERTURA

El Advantium 120 se podrá instalar junto con otros electrodomésticos empotrables. Siempre siga las instrucciones de instalación de cada producto, a fin de completar la instalación.

### Instalación Simple del Advantium 120

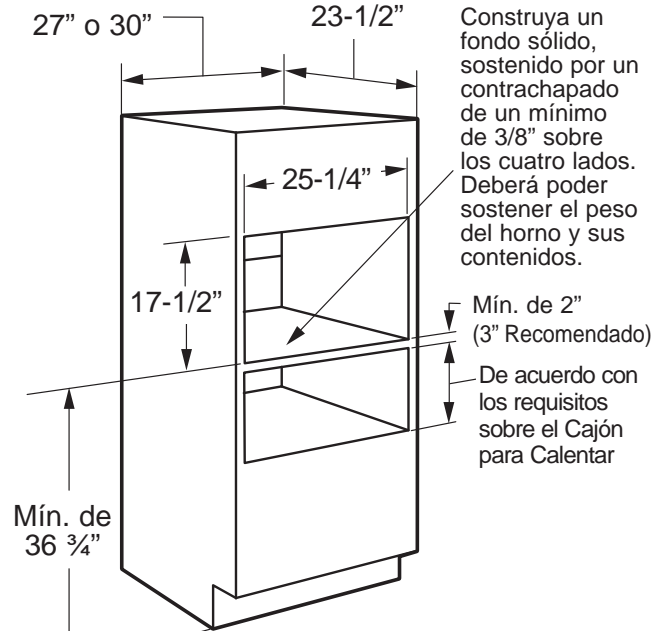
Ordene un gabinete de horno simple de 30" de ancho o recorte la abertura en una pared siguiendo las dimensiones mostradas.



- Deje los siguientes espacios libres alrededor del corte en la superficie frontal del gabinete: 1/4" desde la parte superior para los modelos ZSC1001 o 5/8" desde la parte superior para los modelos PSB9100, 7/8" desde los bordes laterales y 1-1/8" desde la parte inferior. (Nota: estos se refieren a los espacios libres mínimos requeridos para la instalación y no reflejan las dimensiones reales del producto).
- Las superposiciones del horno ocultarán los extremos cortantes sobre todos los costados de la abertura. Cuando se instale sobre un horno simple o sobre un cajón para calentar, deje por lo menos 2" entre las dos aberturas. Esta separación brindará espacio entre la superposición inferior del Advantium 120 y las superposiciones de los demás electrodomésticos.
- El soporte debe estar nivelado y montado de forma rígida, al ras con el extremo inferior de la abertura.

## PREPARACIÓN DE LA ABERTURA

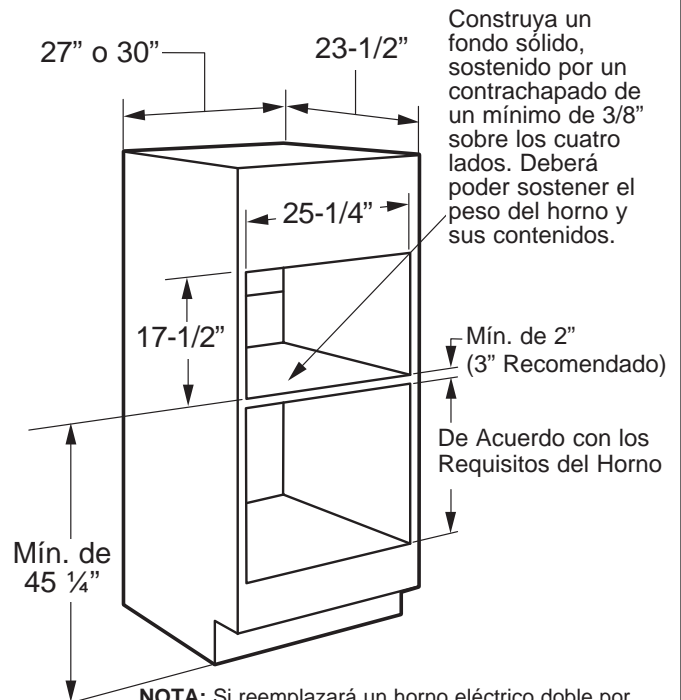
### (CONT.) Instalación sobre un cajón calentador:



**NOTA:** Se podrán requerir despejes adicionales entre los recortes. Asegúrese de que los soportes del horno sobre la ubicación del Cajón para Calentar no obstruyan la profundidad y altura internas requeridas. Para más detalles, consulte las instrucciones de instalación del Cajón para Calentar.

## PREPARACIÓN DE LA ABERTURA

### (CONT.) Instalación sobre un Horno de Pared



**NOTA:** Si reemplazará un horno eléctrico doble por la instalación combinada de un Advantium 120 y un horno simple, utilice las dimensiones mostradas. Es posible que el riel intermedio que separa las dos aberturas deba ser más largo que el de un mínimo de 2" mostrado.

# Preparación para la Instalación Estándar

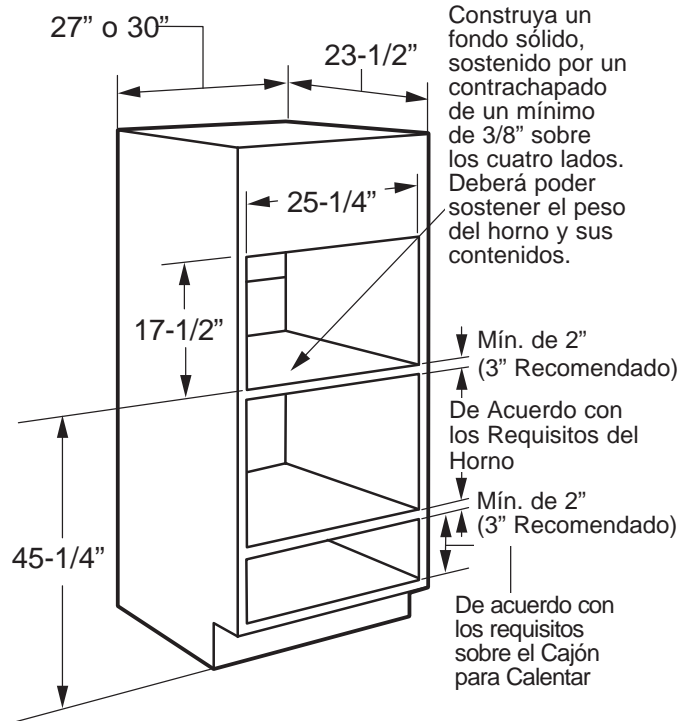
**IMPORTANTE:** Siempre deje una altura mínima de 36 3/4" desde el piso hasta el recorte en cualquier instalación, ya sea simple o combinada.

## PREPARACIÓN DE LA ABERTURA (CONT.)

### Instalación sobre un Horno de Pared y un Cajón de Pared:

**NOTA:** Se podrán requerir despejes adicionales entre los recortes. Asegúrese de que los soportes del horno sobre la ubicación del Cajón para Calentar no obstruyan la profundidad y altura internas requeridas. Para más detalles, consulte las instrucciones de instalación del Cajón para Calentar.

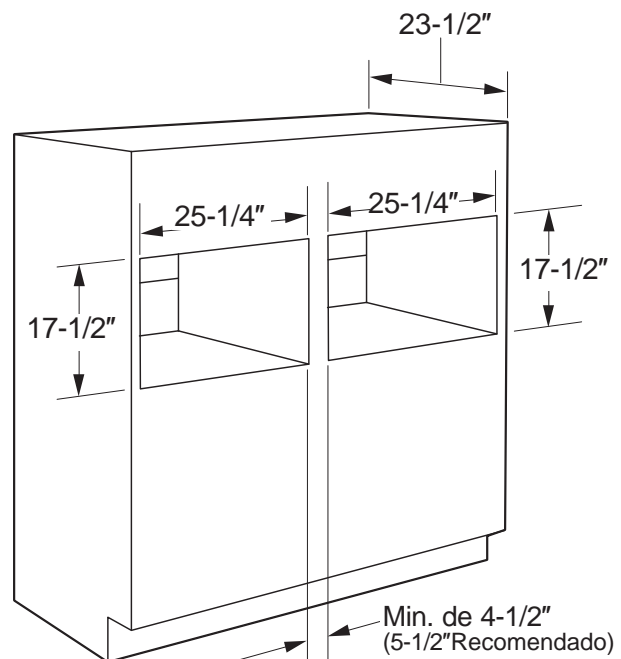
**⚠ PRECAUCIÓN** Para su seguridad personal, la superficie de instalación deberá poder soportar la carga del gabinete, además del peso agregado del horno y el cajón, sumado esto a las cargas adicionales del horno.



## PREPARACIÓN DE LA ABERTURA (cont.)

### Instalación junto a otro Horno con Velocidad de Cocción Incorporada:

- Si montará un horno de Velocidad de Cocción Incorporado junto a otro, use las dimensiones mostradas. Es posible que el riel intermedio que separa las dos aberturas deba ser más largo que el de un mínimo de 4 1/2" mostrado.



## RETIRE EL EMBALAJE

- Retire el horno de la caja.
- Retire todo el material de embalaje y la cinta.

- Abra la puerta y retire la caja de piezas.
- Ubique el paquete de piezas que contiene los tornillos de montaje.



# Preparación de la Instalación para el Montaje al Ras (Monogram Únicamente)

**IMPORTANTE:** Siempre deje una altura mínima de 36 3/4" desde el piso hasta el recorte en cualquier instalación, ya sea simple o combinada.

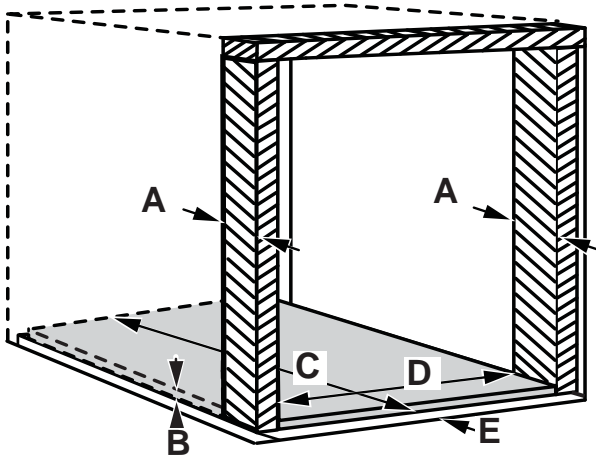
## PREPARE EL INTERIOR

### Corte e instale los ristreles laterales:

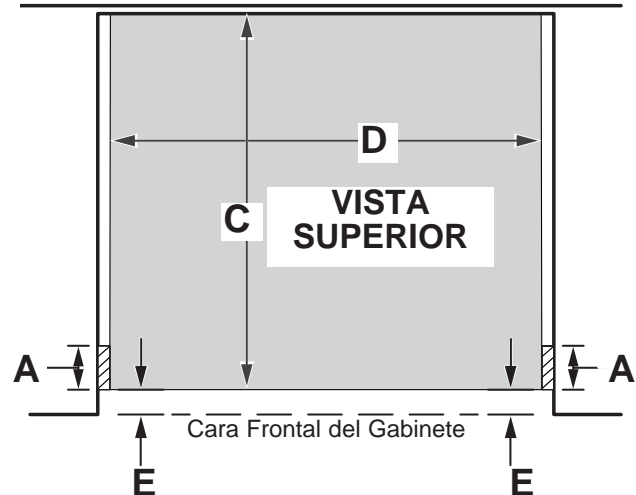
- Corte los ristreles de madera laterales a la altura de la abertura del gabinete y a aproximadamente 2 1/2" de profundidad. Instale, a cada lado, la Dim. E desde la cara frontal del gabinete.

### Corte e instale el ristel inferior:

- Corte el ristel de madera inferior hasta una altura de 1 1/8", una profundidad del gabinete menos la Dim. E y un ancho de 25 1/4" para que encaje entre los ristreles laterales. Realice la instalación sobre el piso del gabinete entre los ristreles laterales, empuje totalmente hacia atrás contra la pared del gabinete y asegúrese de que su cara frontal se alinee con las caras frontales de los ristreles laterales (brecha de la Dim. E desde la cara del gabinete frontal).



A	Profundidad de los ristreles lateral y superior	Mín. de 2 1/2"
B	Altura del ristel inferior	1-1/8"
C	Profundidad del ristel inferior	Profundidad del gabinete menos la Dim. E
D	Ancho del ristel inferior	25-1/4"
E	Profundidad de inserción de los cuatro ristreles	1-1/4"



## PREPARACIÓN DE LA ABERTURA

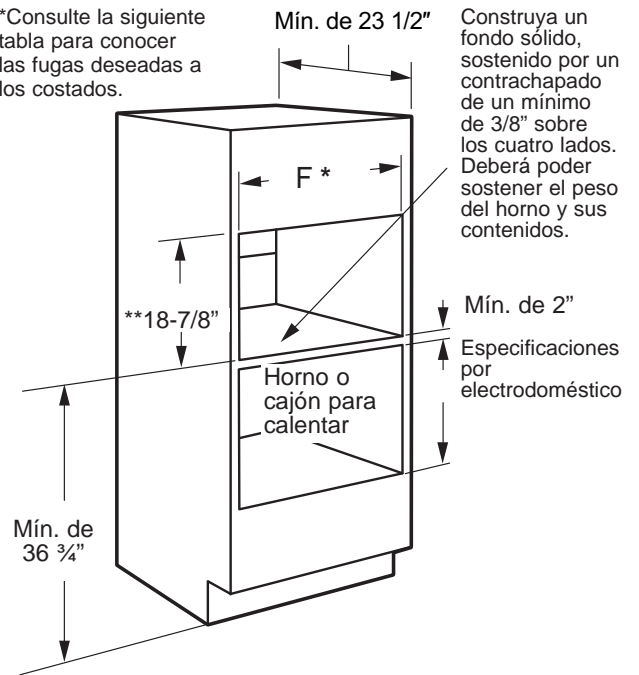
El Advantium 120 se podrá instalar junto con otros electrodomésticos empotrables. Siempre siga las instrucciones de instalación de cada producto, a fin de completar la instalación.

### Instalación Simple de Advantium 120

Corte la abertura en un gabinete siguiendo las dimensiones mostradas.

- El soporte debe estar nivelado y montado de forma

\*Consulte la siguiente tabla para conocer las fugas deseadas a los costados.



rígida, al ras con el extremo inferior de la abertura.

Instalación al Ras Aprobada	Dimensión F	
	Fuga de 1/8"	Fuga de 1/4"
Advantium Simple	27"	27-1/4"
Sobre el Cajón para Calentar	27"	27-1/4"
Sobre el Horno	27"	27-1/4"
Sobre el Horno y el Cajón para Calentar	27"	27-1/4"
Sobre el Horno con Velocidad de Cocción Incorporada	27"	27-1/4"
Advantium Doble (lado a lado)	Lea la página 8	
Debajo de la Superficie de Cocción o de la Mesada	Lea la página 8	

\*\* Las fugas superior e inferior están configuradas en 1/8".

## Preparación de la Instalación para el Montaje al Ras (Monogram Únicamente)

**IMPORTANTE:** Siempre deje una altura mínima de 36 3/4" desde el piso hasta el recorte en cualquier instalación, ya sea simple o combinada.

### PREPARACIÓN DE LA ABERTURA

El Advantium 120 puede ser instalado junto a otro Advantium 120 combinando uno al lado del otro.

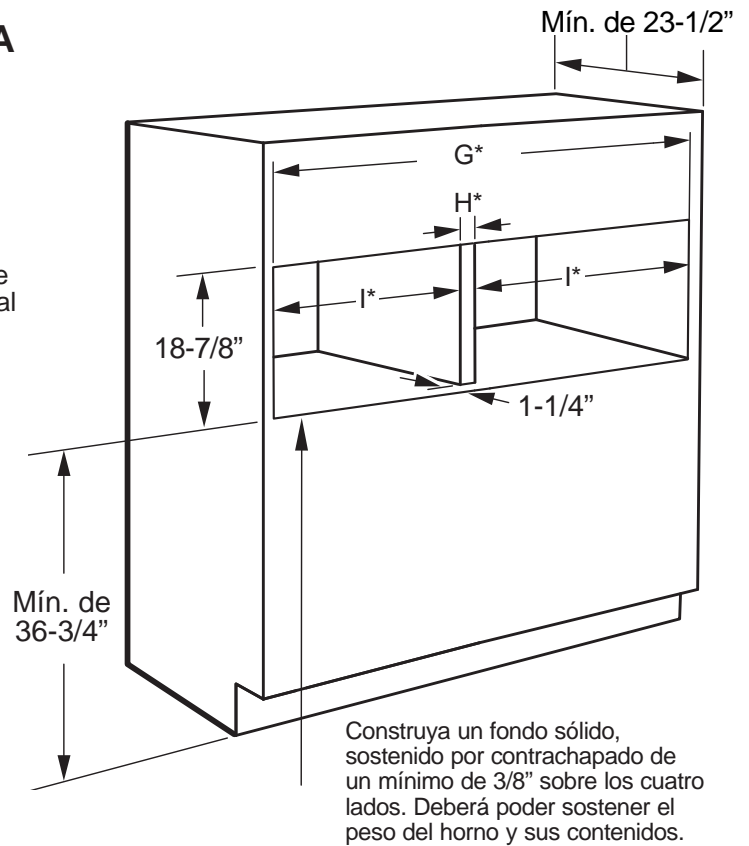
#### Instalación del Advantium 120 Doble:

Corte la abertura en un gabinete siguiendo las dimensiones mostradas.

- El divisor central actúa como un ríster para el lado de cada unidad respectiva. Sólo un ríster lateral adicional es necesario de acuerdo con la abertura del horno.
- El soporte debe estar nivelado y montado de forma rígida, al ras con el extremo inferior de la abertura.

\*Consulte la tabla para conocer las fugas necesarias a los costados y entre la unidad.

Dimensión	Fuga de 1/8"	Fuga de 1/4"
G	59-7/8"	60-1/4"
H	5-1/8"	5-1/4"
I	27-3/8"	27-1/2"



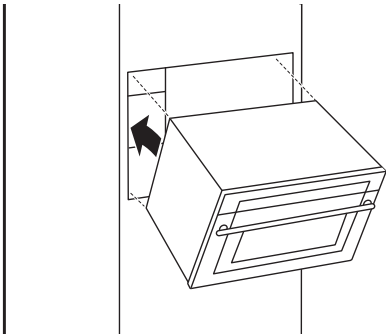
### RETIRE EL EMBALAJE

- Retire el horno de la caja.
- Retire todo el material de embalaje y la cinta.
- Abra la puerta y retire la caja de piezas.
- Ubique el paquete de piezas que contiene los tornillos de montaje.

# Instrucciones de Instalación

## PASO 1 DESLICE EL HORNO POR LA ABERTURA

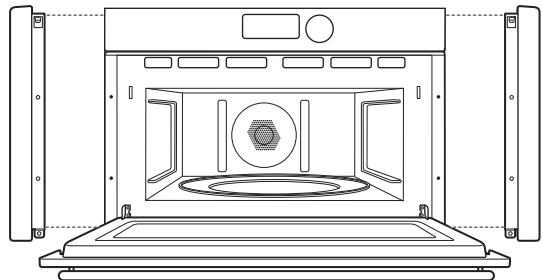
**⚠ PRECAUCIÓN** Se requiere contar con dos personas para colocar el horno en la abertura. Tome la parte inferior sobre la parte frontal y trasera. **NO USE LA MANIJA PARA LEVANTAR EL HORNO. ¡SE PRODUCIRÁN DAÑOS!**



- Levante y sostenga el horno desde el frente de la abertura. Sostenga el horno en un ángulo de 45° y enchufe el cable de corriente.
- Con cuidado, deslice el horno hasta un punto dentro del gabinete. Deje el horno a unas pocas pulgadas delante de la estructura del gabinete.
- Asegúrese de que el cable de corriente no quede atrapado debajo del horno ni a lo largo de los costados del horno.

## PASO 3 INSTALACIÓN DE LA MOLDURA LATERAL

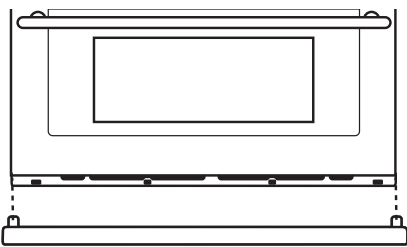
**PARA LA INSTALACIÓN DEL GABINETE E 30" ÚNICAMENTE. SALTEE ESTE PASO SI YA CUENTA CON UN GABINETE DE 27" DE ANCHO**



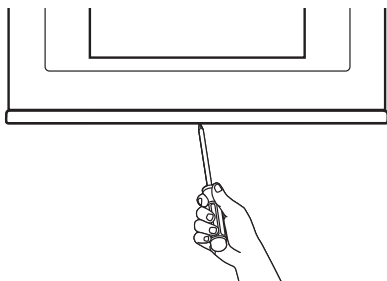
- Abra la puerta del horno.
- Sostenga las piezas de la moldura lateral sobre las lengüetas detrás de la pestaña del horno. Los agujeros de los tornillos de la moldura lateral se deberán alinear con los agujeros de la pestaña del horno.
- Asegúrese de que el horno sea empujado hacia atrás hasta la abertura y que quede contra la estructura del gabinete.
- Si la moldura lateral es usada en la instalación al ras, modifique la abertura del gabinete y el grosor del rístel lateral de forma proporcional.

## PASO 2 INSTALE LA MOLDURA INFERIOR

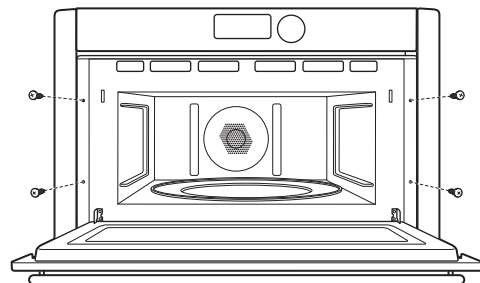
- Alinee las lengüetas de la moldura inferior con las ranuras de la parte inferior del horno.



- Asegure la moldura inferior a la parte inferior del horno usando los 3 tornillos de latón provistos.



## PASO 4 INSTALACIÓN DE LOS TORNILLOS DE MONTAJE



- Haga agujeros piloto a través de las pestañas laterales; 2 de cada lado.
- Coloque los tornillos que coinciden en color en la pestaña lateral (y en la moldura lateral, si corresponde).

## PASO 5 FINALIZACIÓN DE LA INSTALACIÓN

- Presione el encendido. La luz interna se deberá encender cuando la puerta se abra.
- Para acceder a instrucciones de uso, consulte el Manual del Propietario.

**NOTA:** Al realizar las instalaciones descritas en este libro, se deberán usar anteojos o gafas de seguridad.

**NOTA:** GE Appliances se esfuerza de forma constante para mejorar sus productos. Por lo tanto, los materiales, el aspecto y las especificaciones están sujetos a cambios sin aviso previo.

