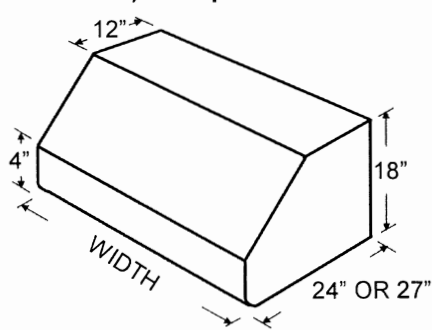
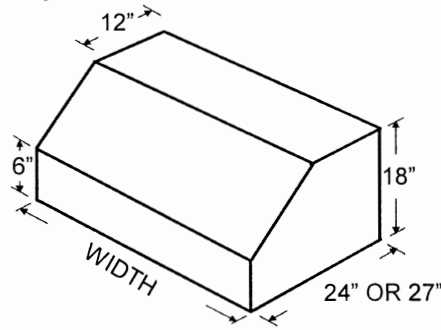


NP18/NPH18/NPX18/NPXH18/PR18/PRH18/PRX18/PRXH18/SL18/SLH18/SLX18/SLXH18

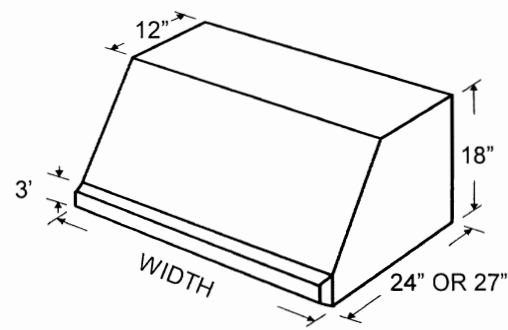
"H" in part number indicates halogen lighting. WBAR warming light bar is available on selected models (included on NP Series). X in part number indicates 27" depth.



NP(X)18/NP(X)H18
(Includes WBAR warming light bar)

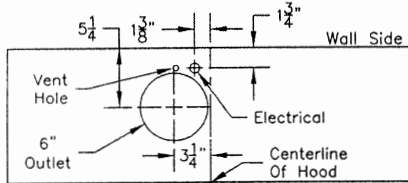


PR(X)18/PR(X)H18

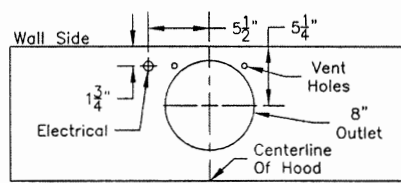


SL(X)18/SL(X)H18

Blower Outlet Diagrams (30" - 48" Widths)

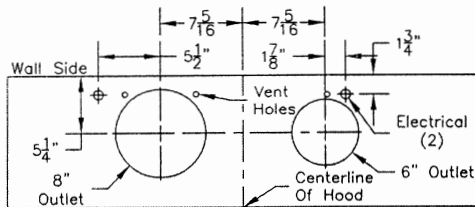


300 CFM B100 Single Blower
(Top View)

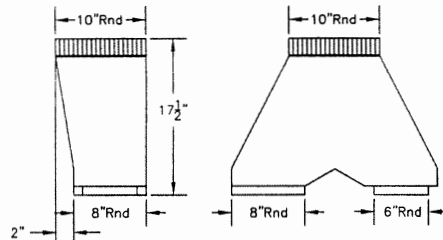


600 CFM B200 Dual Blower
(Top View)

Blower Outlet Diagrams (42" - Wider)

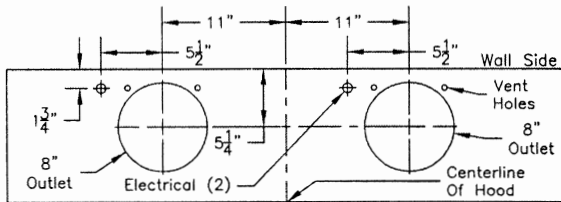


900 CFM B200 Dual & B100 Single Blower
(Top View)

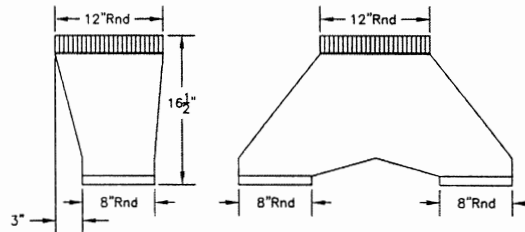


VP562 Transition (Optional) For B300
(B200 Dual Blower & B100 Single Blower)

Blower Outlet Diagrams (48" - Wider)

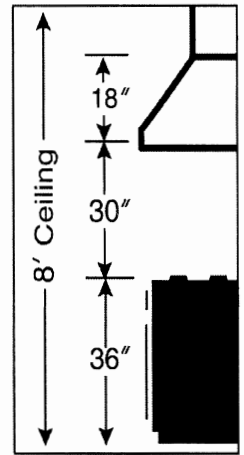


1200 CFM Double B200 Dual Blowers
(Top View)

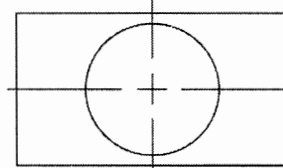


VP563 Transition (Optional) For B400
(B200 Dual Blower & B200 Dual Blower)

Mounting Height



10" OR 12"
ROUND



VP562/VP563
transition
centers outlet
over top of hood

Electrical/Mechanical Specifications For Blower Units

Model	Type	Volts	Amps	HZ	RPM	CFM SP@0"	Equivalent CFM	CFM SP@0.1"	CFM SP@0.2"	CFM SP@0.3"	Minimum Round Duct Size	Square Inches
B100 Single	Shaded Pole	115	1.7•	60	1550	300	450	286	270	240	6" (or equivalent)	28
B200 Dual	(2) Shaded Pole	115	3.4•	60	1550	600	900	572	540	480	8" (or equivalent)	50

●Note: Add 2.5 amps for each warming light and .5 amp for each halogen bulb. Equivalent CFM refers to the fact that the Magic Lung blower uses centrifugal filtration units, whereas others use conventional filters. Apply this guideline when comparing blower units made by other manufacturers. Hood is available with fluorescent light (1 for each single or dual blower) or with halogen lights- 30" to 41" 2 lights, 42" to 53" 3 lights, 54" to 66" 4 lights, over 66" 1 light for each 16" hood width.