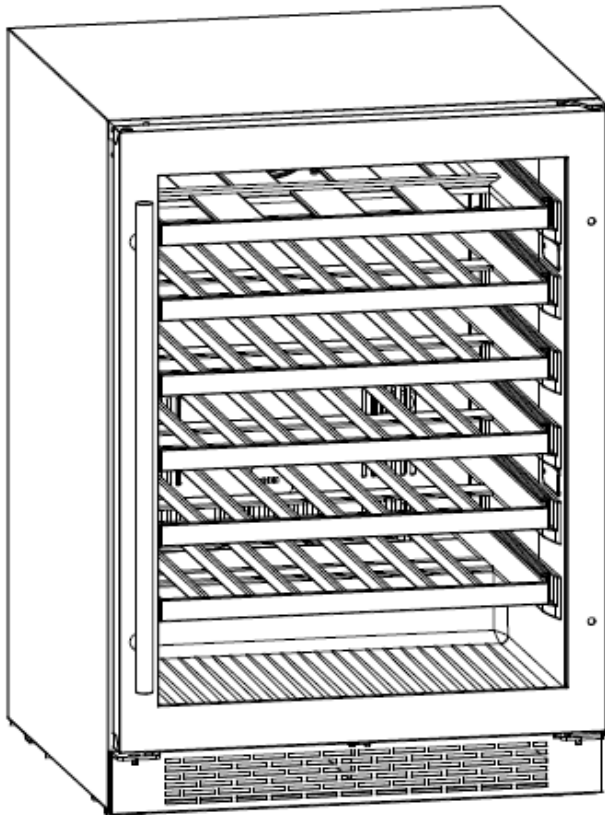


Use, Care and Installation Guide

PRW24C01BG

Presrv Single Zone Wine Cooler



OCT19.0301



Table of Contents

	Page
Safety Information	3-8
Introduction	9
Specifications	10
Storage	10
Parts Identification & Dimensions	11
Installation Instructions	12-15
Operating your appliances	16-17
Care and Maintenance	18-19
Troubleshooting	20-21
Product Registration	22
Warranty	23

Safety Information

Your safety and the safety of others are very important.

We have provided many important safety messages in this manual for your appliance. Always read and obey all safety messages.



This is the Safety Alert Symbol. This symbol alerts you to potential hazards that can cause severe bodily injury or death. All safety messages will follow the Safety Alert Symbol and either the words “DANGER” “WARNING” or “CAUTION”



Danger means that failure to heed this safety statement may result in severe injury or death.



Warning means that failure to heed this safety statement may result in extensive product damage, serious personal injury, or death.



Caution means that failure to heed this safety statement may result in minor or moderate personal injury, property or equipment damage.

Safety Information

For your safety, read all instructions carefully before operating the appliance.



DANGER: When using an electrical appliance, basic precautions should always be followed to reduce the risk of fire, electric shock, and injury to persons.



WARNING: To reduce the risk of fire, electric shock or personal injury, unplug or disconnect the appliance from the power supply before servicing.



CAUTION: Flammable refrigerant used! When handling, moving and use of the refrigerator, make sure to avoid either damaging the refrigerant tubing, or increasing the risk of a leak.

- Use this appliance only as described in this manual. Other uses not recommended may cause fire, electric shock or personal injury.
- This appliance is not intended for use by young children or infirm persons unless they have been adequately supervised by a responsible person to ensure that they can use the appliance safely.
- Young children should be supervised to ensure that they never play with the appliance.
- The temperature range for this cooler is optimized for non-perishable beverage storage only. Do not store perishable food items in your beverage cooler.
- To protect against the risk of electric shock, NEVER IMMERSE the unit, cord, or plug in water or spray any other liquid.
- Unplug the appliance from the plug socket when not in use, when moving from one location to another and before cleaning.
- To disconnect the appliance, grip the plug and pull it from the wall outlet. Never pull by the cord.
- Never operate the appliance in the presence of explosive and/or flammable fumes.
- Never place the appliance or any of its parts near an open flame, cooking or other heating appliance.
- Never operate the appliance with a damaged cord or plug, if the product malfunctions, or if it is dropped or damaged in any manner.
- The use of attachments not recommended by the manufacturer may be hazardous.
- Never operate if the housing is removed or damaged.
- A loose fit between the AC outlet (receptacle) and plug may cause overheating and a distortion of the plug. Contact a qualified electrician to replace loose or worn outlet.
- Locate the unit away from direct sunlight and sources of heat (stove, heater, radiator, etc.).

Safety Information

- This appliance is CFC and HFC free and contains small quantities of Isobutane (R600a), an environmentally friendly coolant.
- You must ensure that the cooling circuit is undamaged when installing the appliance. However, if it becomes damaged, avoid proximity to open fires and heat sources of all kinds. The room in which the appliance is located should be ventilated properly and according to state and local codes.
- Never use an appliance with a damaged circuit.
- Ensure that the ventilation openings to and from a built-in appliance are never blocked or covered.
- No liability will be accepted for any damage caused by misuse of the appliance, or as a result of repairs carried out by unqualified person. In this case neither the warranty nor any other liability claims will apply.

WARNING

- **WARNING:** Never operate any other electrical appliance inside this appliance.
- Never attempt to repair or replace any part of your appliance unless it is specifically recommended in this manual. All other servicing should be referred to a qualified technician.
- Replace all access panels before operating.
- Use two or more people to move and install the appliance. Failure to do so can result in back or other injury.
- Never clean appliance parts with flammable liquids. These fumes can create a fire hazard or explosion. Never store or use gasoline or other flammable vapors and liquids in the vicinity of this or any other appliance. The fumes can create a fire hazard or explosion.
- Never connect or disconnect the electric plug with wet hands.
- It is recommended that a separate circuit, serving only your appliance be provided. Use receptacles that cannot be turned off by a switch or pull chain.

WARNING

WARNING: To reduce the risk of fire, electric shock or personal injury, unplug or disconnect the appliance from the power supply before servicing.

Save These Instructions

If you are experiencing problems, check the Troubleshooting Guide at the back of this manual. It lists causes of minor operating problems that you can correct yourself.

Safety Information

Disposal of Old Appliance

Dispose of your appliance packaging properly.

Refrigeration equipment must be properly disposed of in a way which protects the environment. This applies to your old appliance and to your new unit once it has reached the end of its service life.



WARNING: Please ensure that old, worn appliances are rendered unusable before disposal by removing the plug, cutting the power cable, and removing or destroying any snap fastenings or bolts. You will thus prevent children from locking themselves in the appliance during play (risk of suffocation) or endangering their lives in any other way.

Disposal instructions:

- The appliance must not be disposed with normal household waste collection.
- The coolant circuit, particularly the heat exchange at the back/bottom of the unit, must not be damaged.
- The symbol on the product or its packaging indicates that this product is not to be handled as normal household waste but is to be taken to a recycling collection point for electrical and electronic goods. By correctly disposing of this product you are contributing to the protection of the environment. Improper disposal endangers health and the environment. Further information about the recycling of the product may be obtained from your town hall or local waste collection department.

Safety Information

Before Using Your Appliance

- Remove all exterior and interior packing.
- Before connecting the appliance to the power source, let it stand upright for approximately 2 hours. This will reduce the possibility of a malfunction in the cooling system caused by handling during transportation.
- Clean the interior surface with warm water using a soft cloth.
- The door on this appliance can be opened from either the left or the right side. The unit is delivered with the door opening on the left side. Should you wish to open the door from the right, follow the instructions, "Reversing the Door Swing of your Appliance," listed below.

Installation of Your Appliance

- The appliances are designed for either built-in, or free-standing installation.
- **WARNING:** Do not store or install the appliance outdoors.
- Place your appliance on a floor that is strong enough to support it when it is fully loaded. To level your appliance, adjust the 4 legs until level.
- Locate the appliance away from direct sunlight and sources of heat (stove, heater, radiator, etc.). Direct sunlight may affect the acrylic coating and heat sources may increase electrical consumption. Extreme cold ambient temperatures may also cause the unit not to perform properly.
- Never place the unit in damp areas.
- Plug the appliance into an exclusive, easily accessible electrical socket.
- Any questions concerning power and/or electrical connection should be directed towards a qualified electrician or an authorized products service center.
- The air vent at the front of the appliance must never be covered or blocked in any way.
- The appliance must be installed to all electrical connections in accordance with state and local codes.
- Use two or more people to move and install the beverage cooler. Failure to do so can result in back or other injury.
- The cooler may experience decreased cooling efficiency if air flow is restricted due to a fully loaded cabinet.

Safety Information

Attention

- Never overload the cabinet.
- Never open the door unless necessary.
- Never cover shelves with aluminum foil or any other shelf material which may prevent air circulation.
- Should the appliance be left empty for long periods, it is suggested that the appliance be unplugged, and, after careful cleaning, leave the door ajar to allow air to circulate inside the cabinet in order to avoid possible condensation, mold or odors from forming.

Electrical Connection



Check that the voltage marked on the product corresponds with your supply voltage.

WARNING: Improper use of the grounded plug can result in the risk of electrical shock. If the power cord is damaged, have it replaced by a qualified electrician or an authorized service center.

This appliance should be properly grounded for your safety. The power cord of this appliance is equipped with a three-pin plug which mates with standard three-pin wall outlets to minimize the possibility of electrical shock.

Never under any circumstances cut or remove the third ground prong from the power cord supplied. For personal safety, this appliance must be properly grounded.

with three pins. Have the wall outlet and circuit checked by a qualified electrician to make sure the outlet is properly grounded. When a standard two-pin wall outlet is encountered, it is your responsibility and obligation to have it replaced with a properly grounded three-pin wall outlet.

To prevent accidental injury, the cord should be secured behind the appliance and not left exposed or dangling.

The appliance should always be plugged into its own individual electrical outlet which has a voltage rating that matches the rating label on the appliance. This provides the best performance and also prevent overloading wiring circuits that could cause a fire hazard from overheating. Never unplug the appliance by pulling the power cord. Always grip the plug firmly and pull straight out from the receptacle. Repair or replace immediately all power cords that have become frayed or otherwise damaged. Never use a cord that shows cracks or abrasion damage along its length or at either end. When moving the appliance, be careful not to damage the power cord.

Never use your appliance with an extension cord unless this cord has been checked and tested by a qualified technician or service person. The extension cord must be a UL/CUL Listed, 3-wire grounding extension cord that has a grounding plug and outlet and that the electrical rating of the cord is 115 volts and at least 10 amperes.

Introduction

Thank you for purchasing your Zephyr wine cooler. Zephyr is dedicated to developing products that will enhance your lifestyle with superior quality and distinctive features. Please visit www.zephyronline.com for more information on your product and other Zephyr products.

This manual contains important information regarding the proper installation, use, and maintenance of your beverage cooler. Following this manual will ensure that your product will work at its peak performance and efficiency.

For Your Records:

Please write down the model number and serial number below for future reference. Both numbers are located on the rating label on the back of your unit and are needed to obtain warranty service. You may also want to staple your receipt to this manual as it is the proof of your purchase and may also be needed for service under warranty.

Model Number:

Serial Number:

Date of Purchase:

To better serve you, please do the following before contacting customer service:

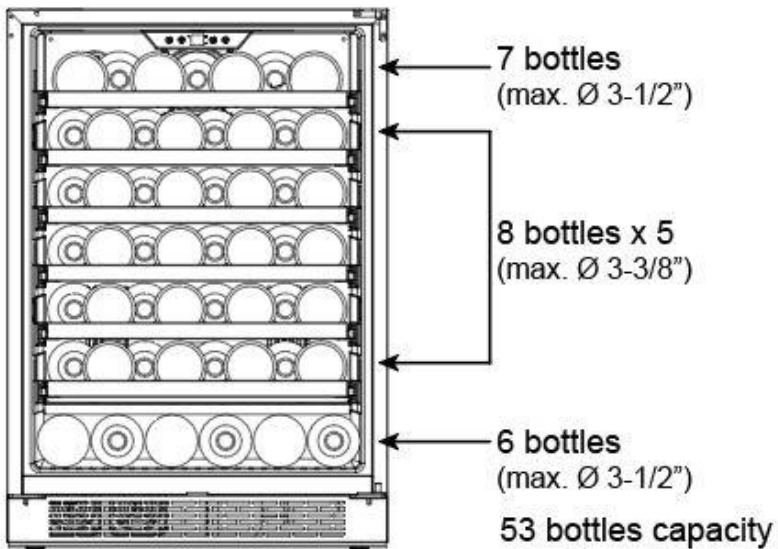
- If you received a damaged product, immediately contact the retailer or dealer that sold you the product.
- Read and follow this instruction manual carefully to help you install, use and maintain your beverage cooler.
- Read the troubleshooting section of this manual as it will help you diagnose and solve common issues.
- Visit us on the web at <http://www.zephyronline.com> to download product guides, additional troubleshooting resources and up-to-date information.
- If you need warranty service, our friendly customer service representatives are available via email at productsupport@zephyronline.com or by telephone at 888-880-8368.

Specifications

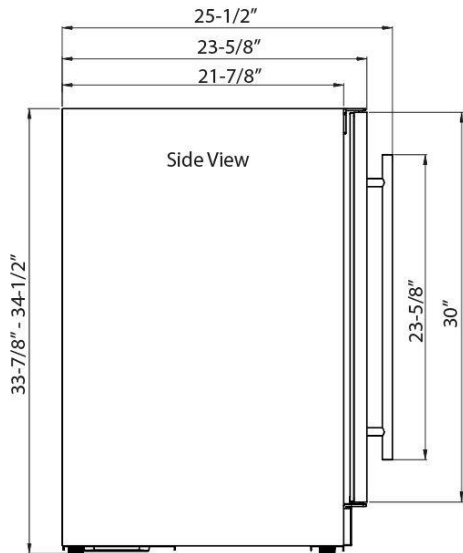
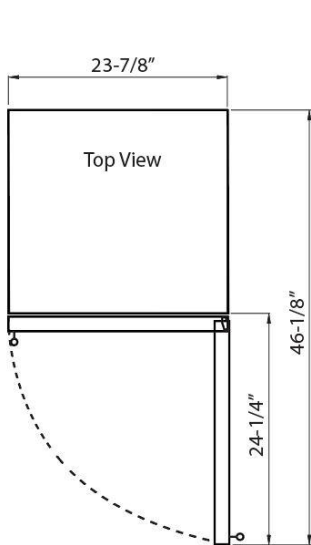
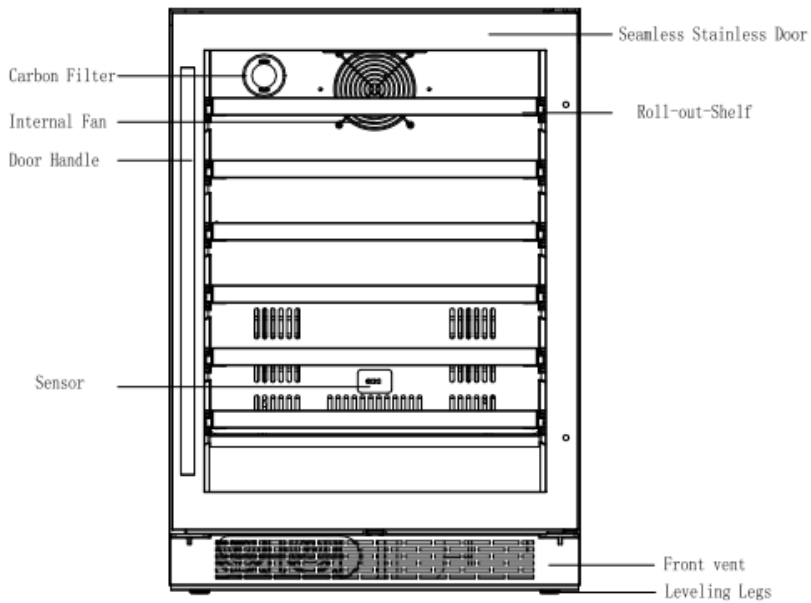
This appliance requires a standard 115/120 Volt AC-60Hz electrical ground outlet

DESCRIPTION OF PRODUCT	Single Zone Wine Cooler
MODEL	PRW24C01BG
VOLTAGE/FREQUENCY	AC 115/60Hz
AMPERAGE	1.0 A
COLOR	Black Cabinet with Stainless Steel Door
STORAGE CAPACITY	(53) 750ml bottles
REFRIGERANT	R600a
TEMPERATURE RANGE	40° - 65° F
DIMENSIONS (HxWxD)	33 7/8" X 23 7/8" X 23 5/8"
GROSS WEIGHT (lbs)	145.5
OPTIONAL PRO HANDLE ACCESSORY	PRHAN-C001
REPLACEMENT CARBON FILTER	Z0F-C004

Internal Storage



Parts Identification & Dimensions



Installation Instructions



Carbon Filter

A built-in carbon filter protects your beverages by acting as a natural barrier against harmful odors. The carbon filter should be replaced every 3-6 months depending on the unit's exposure level to odor. If the unit is placed in a kitchen, regular replacement every three months is ideal.

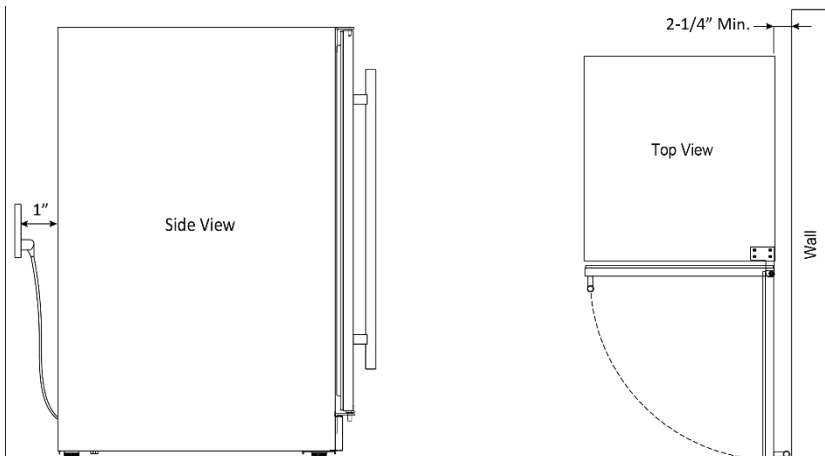
Remove the carbon filter by turning counterclockwise to unlock from rear panel.

Carbon Filter Replacement Part #: Z0F-C004

Installation Clearance Requirements

When installing the wine cooler under a counter, follow the recommended spacing dimensions shown.

- To ensure proper service access and ventilation, allow at least 1" of clearance at the back as shown in the diagram.
- The installation should allow the unit to be pulled forward for servicing, if necessary.
- The power cable is located on the back right of the unit and has a length of 72" to accommodate multiple outlet locations.
- An installation next to a wall will require a minimum 2-1/4" door clearance to accommodate the handle.

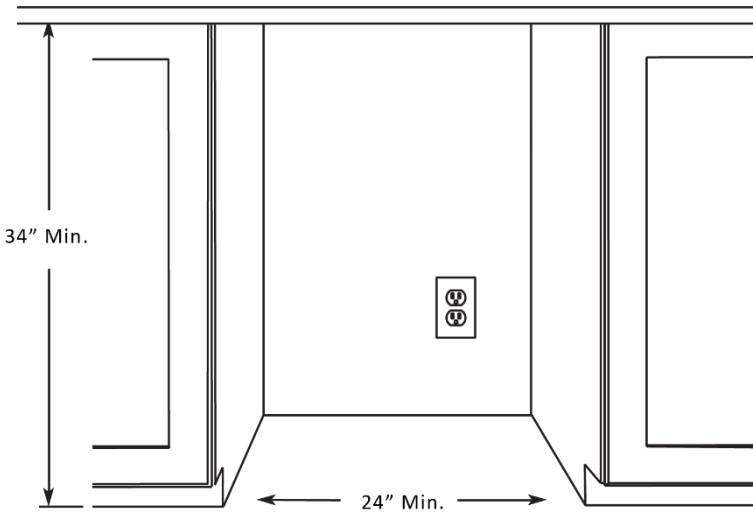


Installation Instructions

Installation Clearance Requirements cont.

When installing the wine cooler under a counter, follow the recommended spacing dimensions shown.

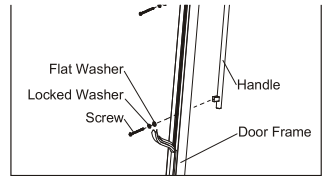
- The cabinet should allow at least 24" for the width and 34" for the height to accommodate the wine cooler.
- Once you are ready to install the unit, you must adjust the feet to level the wine cooler.



Installation Instructions

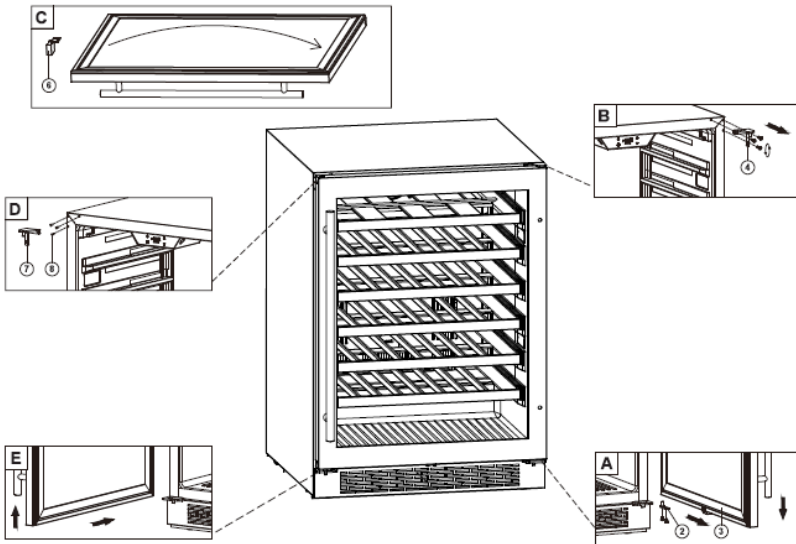
Installing the Handle

1. Push aside the door gasket on the side you wish to install the handle. Under the gasket you will see two designated holes for handle installation and pre-installed screws.
2. Install the handle tightly as shown with two screws, lock washers and flat washers pre-installed.



Reversing the door swing of your appliance

Should you desire to reverse the opening direction of the door, please follow the instructions below:



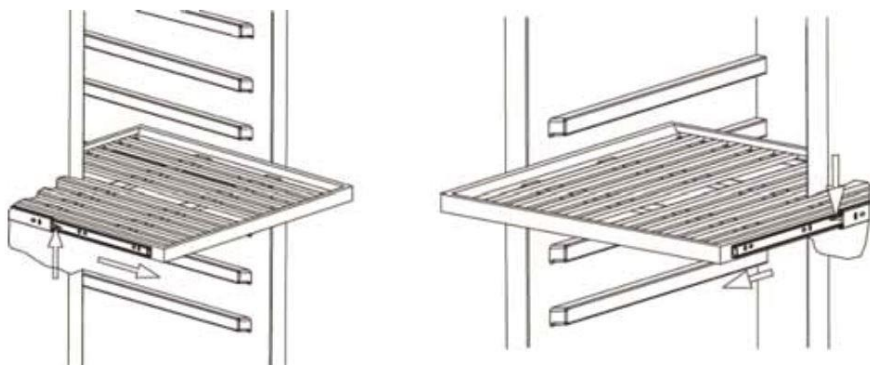
- A. Open the glass door to a 90-degree angle, take out the 2 screws from the lower door axis (2), remove the door (3), axis plate spacers and the axis plate from the door.
- B. Take out the 3 hinge screws from the top right hinge (4) and remove it.
- C. Unscrew 2 screws at the bottom of the door and remove the Reed switch (6), then install the Reed switch at the top of the door frame.
- D. Remove the decorative hole covers (8) from the top left of the cabinet and install the new top hinge (7) at top of the cabinet with 3 screws. Install the decorative hole covers on the top right of the cabinet.
- E. Install the door with spacers and correctly align door.

Installation Instructions

- To prevent damaging the door or door gasket, make sure the door is open at least 90-degrees when pulling shelves out of the rail compartment.

REMOVING THE WOODEN SHELVES:

1. Open the door completely.
2. Remove all the contents loaded on the shelf, if applicable.
3. Pull the shelf towards yourself until it is fully extended outward.
4. The shelf has plastic posts on both sides as indicated in the diagram below. While facing the unit, press the plastic post on the right side down while pulling up on the left plastic post.
5. Evenly pull out the shelf from the track until it is completely removed from the inner compartment.



Operating Your Appliance

If the unit is unplugged, power lost, or turned off, you must wait 3 to 5 minutes before restarting the unit. If you attempt to restart before this time delay, the appliance may not start and will keep the last set temperature.

USING YOUR CONTROL PANEL:



This wine cooler has a temperature range from 40°F-65°F.

Power Button

Press and hold this button for three seconds to power your unit on or off. While the unit is on the R 'Compressor Running' light may illuminate to indicate the internal compressor is active.

Increase Temperature

Press this button to increase the temperature by one (1) degree increments. 65°F is the highest available temperature on this unit.

Decrease Temperature

Press this button to increase the temperature by one (1) degree increments. 40°F is the lowest available temperature on this unit.

Interior Light

Press this button to cycle through the different internal light settings. There are three light settings: Cloud White, Deep Blue and Amber.

°F/°C Selector

Hold the Increase and Decrease Temperature buttons at the same time to switch the display temperature.

Internal Light

This refrigerator is equipped with side internal lights that can be set to Cloud White, Deep Blue or Amber. Because the unit comes with a glass door, the inside will be seen whether the door is open or closed.

You can choose to display each color of light in two different modes: Display mode and Automatic Mode.

Operating Your Appliance

Display Mode

The internal lights will stay constantly illuminated whether the door is open or closed.

Automatic Mode

The internal lights will illuminate each time the door is opened and fade off once the door is closed. This feature is triggered by a sensor located on the front vent, this sensor allows the refrigerator to recognize when the door is open or closed.

*The default mode is Automatic Mode. To change between modes, press and hold the Interior Lights button for 3 seconds.

Door open alarm

After 3 minutes of the door being open an alarm will sound and the display will flash with 00.

Sabbath mode

Sabbath mode disables system responses to user-initiated activities and all external functions, including lighting, display and audible alarms. The unit will still maintain internal temperatures and set points.

To enable or disable Sabbath mode, Press the Power Button and simultaneously press the Increase Temperature Button twice. The interior light and control display will go dark until the user disables Sabbath mode.

Note: Although the display will not be visible, the temperature settings will remain active and preserve the internal temperature. Sabbath mode will remain active until it is disabled by the user.

Demonstration mode

In this mode, the compressor and fans never turn on but all other functions remain enabled.

When in Demonstration Mode, the “R” indicator light will slowly blink indicating it is in Demonstration Mode.

To enable or disable Demonstration mode, hold Power Button and tap Decrease Temperature Button twice.

Defrosting

The wine cooler is designed with an automatic defrost system. However, on colder settings, some frost may build up. Additionally, the more humid the ambient conditions, the more frost may build up. Keep the door closed as much as possible and avoid opening the door unnecessarily to minimize frost build-up.

If frost is preventing the door from closing properly, you may need to power the unit off until the frost melts. Use a soft absorbent towel to dry the unit.

Warning: Never attempt to remove frost with a sharp object.

Care and Maintenance

Normal Sounds

Your new wine cooler may make sounds that are not familiar to you. Most of the new sounds are normal. Hard surfaces like the floor or walls can make the sounds seem louder than they actually are. The following describes the kinds of sounds that might be new to you and what may be making them.

- Rattling noises may come from the flow of the refrigerant or the water line.
- Items stored on top of the wine cooler can also make noises.
- The high efficiency compressor may make a pulsating or high-pitched sound.
- Water running from the evaporator to the water bin may make a splashing sound.
- As each cycle ends, you may hear a gurgling sound due to the refrigerant flowing in your wine cooler.
- You may hear air being forced over the condenser by the condenser fan.

Cleaning and Maintenance

Periodic cleaning and proper maintenance will ensure efficiency, top performance, and long life.

INTERIOR CLEANING:

1. Disconnect power to the unit.
2. Open the door and remove the contents and shelves.
3. With a clean cloth, wipe down the interior of the unit.
4. Reinsert the shelves and beverages.
5. Reconnect power to the unit.

EXTERIOR CLEANING:

The door and cabinet may be cleaned with a mild detergent and lukewarm water solution such as two (2) tablespoons of baking soda to one (1) quart of water. Do not use solvent based or abrasive cleaners. Use a soft sponge and rinse with clean water. Wipe with a soft clean towel to prevent water spotting. If the door panel is stainless steel, it can discolor when exposed to chlorine gas and moisture. Clean stainless steel with a cloth dampened with a mild detergent and warm water solution. Never use an abrasive or caustic cleaning agent.

Care and Maintenance

Power Failure

Most power failures are corrected within a few hours and should not affect the temperature of your appliance if you minimize the number of times the door is opened. If the power is going to be off for a longer period of time, you need to take the proper steps to protect your contents.

Moving Your Wine Cooler

- Remove all items.
- Securely tape down all loose items (shelves) inside your appliance.
- Turn the adjustable leg all the way up (clockwise) to the base to avoid damage.
- Tape the door shut.
- Be sure the appliance stays secure in the upright position during transportation. Also protect outside of appliance with a blanket, or similar item.

Energy Saving Tips

- The appliance should be located in the coolest area of the room, away from heat producing appliances, and out of the direct sunlight.
- Ensure that the unit is adequately ventilated. Never cover air vents.
- Only open the door for as long as necessary.

Troubleshooting

POSSIBLE PROBLEM	POSSIBLE CAUSE	SOLUTIONS
The appliance does not operate.	● Not plugged in.	● Ensure the appliance is plugged in and the power outlet has power.
	● The appliance is turned off.	● Turn on the appliance.
	● The circuit breaker tripped or a blown fuse.	● Replace the broken fuse or reset the breaker.
	● Sabbath mode may be enabled.	● See Operation page and verify Sabbath mode is disabled.
The appliance is not cold enough.	● Check the temperature control setting.	● Adjust the set temperature.
	● External environment may require a higher setting.	● Keep the appliance away from sunshine or other heat sources.
	● Demonstration mode may be enabled.	● See Operation page and verify Demonstration mode is disabled.
	● The door is opened too frequently or for long periods of time.	● Close the door tightly and do not open the door too frequently or for a long period of time.
	● The door gasket does not seal properly.	● Ensure the door gasket is not loose.
	● The cooler does not have sufficient ventilation.	● Read and follow the "installation clearance requirements" section.
	● The cooler has restricted air flow due to too much storage.	● Open space in the cabinet to allow air flow.
Turns on and off frequently.	● The room temperature is hotter than normal.	● Run the refrigerator at the appropriate ambient temperature.
	● The door gasket is not sealing properly.	● Make sure the door gasket is properly sealed.
	● The door is open too often.	● Minimize the number of times the door is opened.
	● The cooler does not have the suggested ventilation.	● Read and follow the "installation clearance requirements" section.
	● The door is not closed completely.	● Make sure the door is completely closed.

The body of the appliances is electrified.	<ul style="list-style-type: none"> ● The unit is not properly grounded. 	<ul style="list-style-type: none"> ● Contact your local electrician to test your electrical grounding system.
Frost is forming in the appliances.	<ul style="list-style-type: none"> ● The environment is humid. 	<ul style="list-style-type: none"> ● Through the unit uses an 'auto-defrost' system, under certain conditions, manual defrosting may be required. If frost builds up, you can try running the refrigerator on a warmer temperature setting, minimizing the number of times you open the door or unplugging the unit to allow the frost to melt.
	<ul style="list-style-type: none"> ● The ambient temperature is too low. 	
	<ul style="list-style-type: none"> ● The door is being opened too frequently. 	
The Appliance makes too much noise.	<ul style="list-style-type: none"> ● The rattling noise may come from the flow of the refrigerant, which is normal. As each cycle ends, you may hear gurgling sounds caused by the flow of refrigerant in the appliance 	<ul style="list-style-type: none"> ● It is normal that as each cooling cycle ends, you may hear rattling or gurgling sounds caused by the flow of refrigerant in the appliance. The high efficiency compressor may make a pulsating or high-pitched sound.
	<ul style="list-style-type: none"> ● Contraction and expansion of the inside walls may cause popping and cracking noises. 	<ul style="list-style-type: none"> ● Some popping or cracking noises are normal. They are caused by expansion and contraction of the inside walls due to temperature changes.
	<ul style="list-style-type: none"> ● The unit is not level or is touching another appliance. 	<ul style="list-style-type: none"> ● Check to make sure the cooler is level and that it is non in contact with another appliance or furniture.
The door will not close properly.	<ul style="list-style-type: none"> ● The appliance is not level. 	<ul style="list-style-type: none"> ● Make sure the appliance is on a level surface.
	<ul style="list-style-type: none"> ● The door gasket is not installed correctly. 	<ul style="list-style-type: none"> ● Make sure the door gasket is properly installed.
	<ul style="list-style-type: none"> ● The gasket is dirty. 	<ul style="list-style-type: none"> ● Clean the door gasket.
	<ul style="list-style-type: none"> ● The shelves are out of position. 	<ul style="list-style-type: none"> ● Install the shelves correctly.

PRODUCT REGISTRATION

Congratulations on the purchase of your Zephyr product! Please take a moment to register your new Zephyr product at www.zephyronline.com/registration

IT'S IMPORTANT

Prompt registration helps in more ways than one.

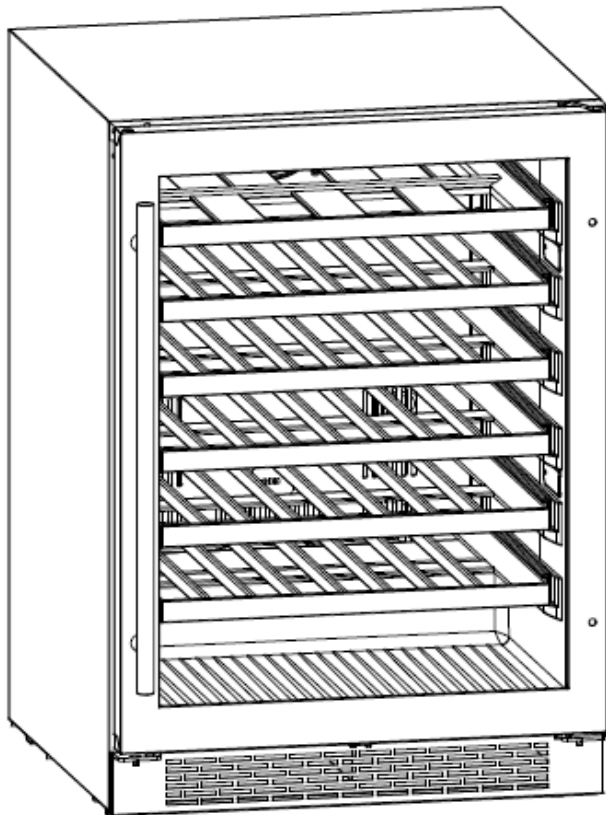
- Ensures warranty coverage should you need service.
- Ownership verification for insurance purposes.
- Notification of product changes or recalls.



Zephyr Ventilation | 2277 Harbor Bay Pkwy. | Alameda, CA 94502 | 1.888.880.8368

PRW24C01BG

Refroidisseur de vin à une zone Preserv



OCT19.0301



Tables des matières

	Page
Consignes de sécurité	3-8
Introduction	9
Spécifications	10
Entreposage	10
Identification des pièces et dimensions	11
Instructions d'installation	12-15
Fonctionnement de vos appareils	16-17
Entretien	18-19
Dépannage	20-21
Enregistrement du produit	22
Garantie	23

Consignes de sécurité

Votre sécurité et celle des gens qui vous entourent sont très importantes.

Ce manuel contient de nombreux messages de sécurité relatifs à votre appareil. Lisez tous les messages et conformez-vous-y en tout temps.



Voici le symbole d'alerte à la sécurité. Ce symbole vous informe de possibles dangers qui pourraient entraîner de graves lésions corporelles ou la mort. Tous les messages de sécurité suivent le symbole d'alerte à la sécurité et comportent les mots « DANGER », « AVERTISSEMENT » ou « ATTENTION ».



Le mot « danger » signifie que le fait de ne pas tenir compte de l'énoncé de sécurité peut entraîner une blessure grave ou la mort.



Le mot « avertissement » signifie que le fait de ne pas tenir compte de l'énoncé de sécurité peut entraîner des dommages importants au produit, une lésion corporelle grave ou la mort.



Le mot « attention » signifie que le fait de ne pas tenir compte de l'énoncé de sécurité peut entraîner une lésion corporelle mineure ou modérée, ou encore des dommages au produit ou à la propriété.

Consignes de sécurité

Pour votre sécurité, lisez toutes les instructions avec soin avant de faire fonctionner l'appareil.



DANGER : Lors de l'utilisation d'un électroménager électrique, vous devriez toujours prendre des précautions de base pour réduire les risques d'incendie, de décharge électrique et de lésion corporelle.



AVERTISSEMENT : Pour réduire les risques d'incendie, de décharge électrique ou de lésion corporelle, débranchez l'appareil ou coupez l'alimentation électrique avant de procéder à son entretien.



ATTENTION : Cet appareil utilise un fluide réfrigérant inflammable! Pour réduire les risques de fuite lors de sa manutention, de son déplacement ou de son utilisation, assurez-vous d'éviter d'endommager les tubes réfrigérants.

- N'utilisez cet appareil que de la façon décrite dans le présent manuel. Toute autre utilisation non recommandée peut causer un incendie, une décharge électrique ou une lésion corporelle.
- Cet appareil n'est pas conçu pour être utilisé par de jeunes enfants ou des personnes handicapées, à moins qu'un adulte responsable les surveille de près pour veiller à ce qu'ils l'utilisent en toute sécurité.
- Il est important que les jeunes enfants fassent l'objet d'une surveillance étroite pour veiller à ce qu'ils ne jouent jamais avec l'appareil.
- La plage de températures de ce refroidisseur est optimale pour l'entreposage de boissons non périssables. N'y entreposez pas d'aliments périssables.
- Pour vous protéger contre les risques de décharge électrique, n'IMMERGEZ JAMAIS l'appareil, le câble ou la prise électrique dans l'eau et ne les vaporisez pas avec des liquides.
- Débranchez l'appareil de la prise de courant lorsque vous ne l'utilisez pas, lorsque vous le déplacez et avant de le nettoyer.
- Pour débrancher l'appareil, serrez fermement la fiche et retirez-la de la prise murale. Ne débranchez jamais l'appareil en tirant sur le câble.
- Ne faites jamais fonctionner l'appareil en présence de matières explosives ou d'émanations inflammables.
- Ne placez jamais l'appareil ou l'une de ses pièces près d'une flamme nue ou d'un appareil de cuisson ou de chauffage.
- Ne faites jamais fonctionner l'appareil si le câble ou la fiche sont endommagés, si le produit est défectueux, s'il est tombé sur le sol ou s'il est endommagé d'une quelconque manière.
- Il peut être dangereux d'utiliser des accessoires que le fabricant ne recommande pas.
- Ne faites jamais fonctionner l'appareil si son boîtier est enlevé ou endommagé.
- Toute fiche branchée dans une prise secteur (prise murale) instable peut présenter un risque de surchauffe et causer la déformation de la fiche. Communiquez avec un électricien qualifié pour procéder au remplacement de toute prise instable ou endommagée.
- Placez l'appareil à un endroit où il est à l'abri de la lumière directe du soleil et de sources de chaleur (cuisinière, chaufferette, radiateur, etc.).

Consignes de sécurité

- Cet appareil est exempt de CFC et de HFC, et contient de faibles quantités d'isobutane (R600a), un agent de refroidissement respectueux de l'environnement.
- Vous devez vous assurer que le circuit de réfrigération n'est pas endommagé lors de l'installation de l'appareil. Toutefois, s'il est endommagé ultérieurement, évitez toute source de feu nu ou de chaleur. La pièce dans laquelle se trouve l'appareil doit être adéquatement aérée, en conformité avec les codes en vigueur de votre localité, province ou État.
- N'utilisez jamais un appareil dont le circuit est endommagé.
- Assurez-vous que les orifices d'aération de l'appareil et les événements se trouvant à proximité de celui-ci ne sont jamais couverts ou bloqués.
- Nous n'assumons aucune responsabilité pour tout dommage causé par une mauvaise utilisation de l'appareil ou par des réparations effectuées par une personne non qualifiée. Si l'un ou l'autre de ces cas se présente, la garantie ne s'appliquera pas et nous n'assumerons aucune responsabilité.

AVERTISSEMENT

- **AVERTISSEMENT** : N'utilisez jamais un électroménager électrique à l'intérieur de l'appareil.
- Ne tentez jamais de réparer ou de remplacer une pièce de l'appareil à moins qu'il soit expressément recommandé de le faire dans le présent manuel. Tous les travaux d'entretien doivent être effectués par un technicien qualifié.
- Remettez tous les panneaux d'accès en place avant de faire fonctionner l'appareil.
- Deux personnes ou plus sont requises pour déplacer et pour installer l'appareil. Le non-respect de cette recommandation peut entraîner une blessure au dos ou d'autres lésions.
- Ne nettoyez jamais des pièces de l'appareil avec un liquide inflammable. Les vapeurs de ce type de produit peuvent présenter un risque d'incendie ou d'explosion. N'utilisez et n'entreposez jamais d'essence ou d'autres liquides ou vapeurs inflammables près de cet appareil ou de tout autre appareil. Ces vapeurs peuvent présenter un risque d'incendie ou d'explosion.
- Ne branchez ou ne débranchez jamais la fiche électrique si vos mains sont mouillées.
- Il est recommandé d'utiliser un circuit dédié servant exclusivement à cet appareil. Utilisez des prises qui ne peuvent pas être mises hors tension par un interrupteur à bascule ou à tirage.

AVERTISSEMENT

AVERTISSEMENT : Pour réduire les risques d'incendie, de décharge électrique ou de lésion corporelle, débranchez l'appareil ou coupez l'alimentation électrique avant de procéder à son entretien.

Conservez les présentes instructions

Si vous éprouvez des difficultés, consultez le guide de dépannage se trouvant à l'arrière du présent manuel. Il dresse une liste de problèmes de fonctionnement mineurs auxquels vous pouvez remédier vous-même.

Consignes de sécurité

Comment mettre votre vieil appareil au rebut

Mettez l'emballage de votre appareil au rebut de façon adéquate.

Le matériel de réfrigération doit être mis au rebut convenablement et d'une manière respectueuse de l'environnement. Cela s'applique à vos vieux électroménagers et à votre nouvel appareil à la fin de sa vie utile.



AVERTISSEMENT : Pour vous assurer de rendre inutilisables vos appareils vieux et usés avant de les mettre au rebut, enlevez la fiche, coupez le câble d'alimentation et retirez ou détruisez toute languette à pression ou tout capuchon à enclenchement. Il sera ainsi difficile que des enfants s'enferment dans l'appareil en jouant (risque d'asphyxie) ou mettent leur vie en danger de toute autre manière.

Instructions de mise au rebut :

- Cet appareil ne doit pas être mis au rebut avec les ordures ménagères normales.
- Le circuit de refroidissement, particulièrement l'échangeur thermique se trouvant à l'arrière et sous l'appareil, ne doit pas être endommagé.
- Le symbole sur le produit ou sur son emballage indique que cet appareil ne doit pas être traité comme une ordure ménagère normale, mais que vous devez l'apporter à un centre de recyclage pour appareils électroniques et électriques. En mettant convenablement au rebut ce produit, vous contribuez à la protection de l'environnement. La mise au rebut incorrecte de l'appareil met en péril l'environnement et présente des risques sanitaires. De plus amples renseignements sur le recyclage du produit sont disponibles à votre mairie locale ou au service de récupération de déchets de votre région.

Consignes de sécurité

Avant d'utiliser votre appareil

- Enlevez tout l'emballage intérieur et extérieur.
- Avant de brancher l'appareil à l'alimentation électrique, laissez-le en position verticale pendant environ deux heures. Cela réduira la possibilité que le système de refroidissement fonctionne mal en raison de sa manutention pendant le transport.
- Nettoyez la surface intérieure de l'appareil avec de l'eau chaude et un chiffon doux.
- La porte de l'appareil peut s'ouvrir du côté gauche ou droit. L'appareil est livré pour que la porte s'ouvre du côté gauche. Si vous souhaitez que la porte s'ouvre du côté droit, suivez les instructions « Inversion de l'ouverture de la porte de votre appareil » ci-dessous.

Installation de votre appareil

- L'appareil est conçu pour être encastré ou autoportant.
- **AVERTISSEMENT** : N'entreposez pas ou n'installez pas l'appareil à l'extérieur.
- Installez votre appareil sur un plancher qui est assez solide pour supporter son poids lorsqu'il est rempli au maximum de sa capacité. Mettez votre appareil de niveau en ajustant les quatre pattes.
- Placez l'appareil à un endroit où il est à l'abri de la lumière directe du soleil et de sources de chaleur (cuisinière, chauffeuse, radiateur, etc.). La lumière directe du soleil peut altérer le revêtement acrylique et les sources de chaleur peuvent augmenter la consommation d'électricité. Les températures ambiantes extrêmement froides peuvent aussi nuire au bon fonctionnement de l'appareil.
- N'installez jamais l'appareil dans un endroit humide.
- Branchez l'appareil dans une prise électrique dédiée et facile d'accès.
- Pour toute question concernant l'alimentation ou le raccordement électrique, adressez-vous à un électricien qualifié ou à un centre de service autorisé.
- L'évent se trouvant à l'avant de l'appareil ne doit jamais être couvert ou bloqué.
- Le raccordement électrique de l'appareil doit être fait en conformité avec les codes de l'électricité de votre région ainsi que de votre état ou province.
- Deux personnes ou plus sont requises pour déplacer et installer le refroidisseur de vin. Le non-respect de cette recommandation peut entraîner une blessure au dos ou d'autres blessures.
- Le rendement du refroidisseur peut diminuer quelque peu si la circulation d'air est restreinte parce que l'appareil est rempli au maximum de sa capacité.

Consignes de sécurité

Attention

- Ne surchargez jamais votre appareil.
- N'ouvrez pas la porte à moins que cela soit nécessaire.
- Ne recouvrez jamais les étagères avec du papier d'aluminium ou tout autre matériel susceptible de gêner la circulation de l'air.
- Si l'appareil est vide pendant une longue période, nous vous suggérons de le débrancher et, après l'avoir bien nettoyé, de laisser la porte entrouverte pour permettre la libre circulation de l'air à l'intérieur afin de prévenir la formation de condensation, de moisissure ou d'odeurs.

Raccordement électrique



Assurez-vous que la tension indiquée sur le produit correspond à la tension d'alimentation.

AVERTISSEMENT : L'utilisation incorrecte de la prise de mise à la terre peut entraîner des risques de décharge électrique. Si le câble d'alimentation est endommagé, faites-le remplacer par un électricien qualifié ou par un centre de service autorisé.

Pour assurer votre sécurité, cet appareil doit être dûment mis à la terre. Pour minimiser les risques de décharge électrique, le câble d'alimentation de cet appareil est muni d'une fiche à trois broches qui s'adapte aux prises murales standards à trois bornes.

Ne coupez pas et n'enlevez pas la troisième broche (mise à la terre) du cordon d'alimentation fourni, indépendamment des circonstances. Pour votre sécurité personnelle, cet appareil doit être dûment mis à la terre.

Faites vérifier la prise murale et le circuit par un électricien qualifié pour vous assurer de la mise à la terre adéquate de l'appareil. Lorsque la prise murale ne compte que deux bornes, il est de votre responsabilité et de votre obligation de la faire remplacer par une prise murale à trois bornes dûment mise à la terre.

Pour prévenir toute blessure accidentelle, le câble doit être fixé à l'arrière de l'appareil, ne pas être exposé et ne pas pendre librement.

L'appareil doit toujours être branché dans une prise électrique individuelle et dédiée dont la tension nominale correspond à la tension indiquée sur la plaque signalétique de l'appareil. Cela permet d'obtenir un rendement optimal et prévient la surcharge des circuits de câblage, ce qui peut causer un risque d'incendie en cas de surchauffe. Ne débranchez jamais l'appareil en tirant sur le câble. Saisissez toujours fermement la fiche et retirez-le de la prise. Réparez ou remplacez immédiatement tout câble d'alimentation effiloché ou endommagé. N'utilisez jamais un câble fissuré ou endommagé par de l'abrasion. Lorsque vous déplacez l'appareil, prenez soin de ne pas endommager le câble d'alimentation.

N'utilisez jamais votre appareil avec une rallonge électrique, à moins qu'elle ait été examinée et mise à l'essai par un technicien qualifié ou par un agent de service. La rallonge électrique doit respecter la norme UL/CUL, doit être munie de trois broches, dont une de mise à la terre, et doit avoir une capacité nominale de 115 volts et d'au moins 10 ampères.

Introduction

Merci de vous être procuré un refroidisseur de vin Zephyr.

Zephyr se spécialise dans l'élaboration de produits de qualité supérieure dotés de fonctionnalités distinctives qui améliorent votre style de vie. Veuillez visiter le www.zephyronline.com pour obtenir de plus amples renseignements sur votre appareil et sur d'autres produits Zephyr.

Ce manuel contient des renseignements importants relatifs à l'installation, à l'utilisation et à l'entretien adéquats de votre refroidisseur de vin. Suivez les instructions de ce manuel pour maximiser le rendement et l'efficacité de votre appareil.

Pour vos dossiers :

Veillez prendre note du numéro de modèle et du numéro de référence de votre appareil et les inscrire ci-dessous en vue de consultations ultérieures. Ces deux numéros, nécessaires pour obtenir les services d'entretien et de réparation couverts par la garantie, se trouvent sur la plaque signalétique située à l'arrière de l'appareil. Vous pouvez également agraffer votre reçu au manuel, puisqu'il s'agit de la preuve d'achat dont vous pourriez aussi avoir besoin pour obtenir du service pendant la période de garantie.

Numéro de modèle :

Numéro de série :

Date d'achat :

Pour que nous puissions vous offrir un service optimal, veuillez suivre les instructions suivantes lorsque vous communiquez avec le service à la clientèle de Zephyr :

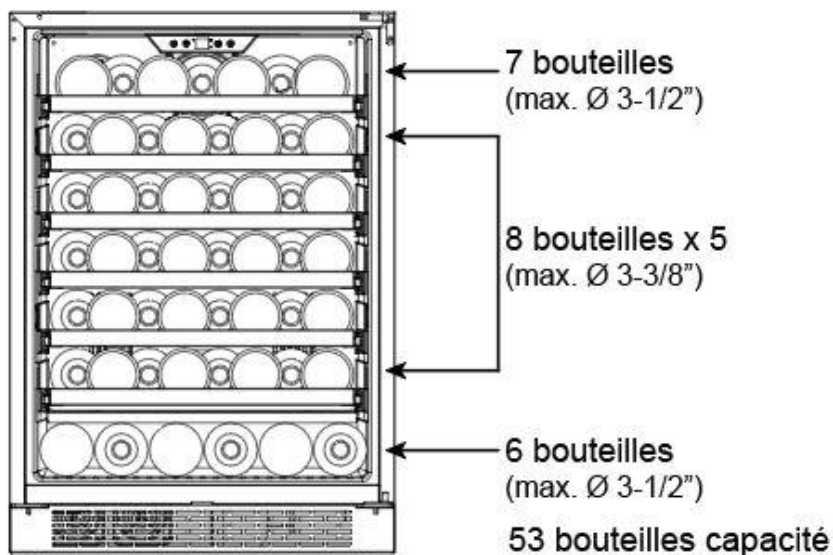
- Si vous avez reçu un produit endommagé, communiquez immédiatement avec le marchand ou détaillant qui vous a vendu le produit.
- Lisez et suivez les instructions contenues dans le présent manuel pour bien installer et utiliser votre refroidisseur de vin, et en effectuer l'entretien.
- Lisez la section sur le dépannage pour diagnostiquer et pour solutionner les problèmes les plus fréquents.
- Visitez-nous en ligne à <http://www.zephyronline.com> pour télécharger des guides sur nos produits, des ressources de dépannage supplémentaires et des informations actualisées.
- Si vous avez besoin de services d'entretien couverts par la garantie, vous pouvez joindre nos sympathiques représentants du service à la clientèle par courriel à productsupport@zephyronline.com ou par téléphone au 888-880-8368.

Spécifications

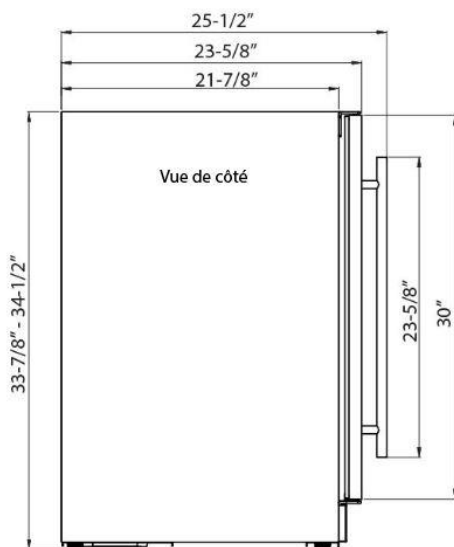
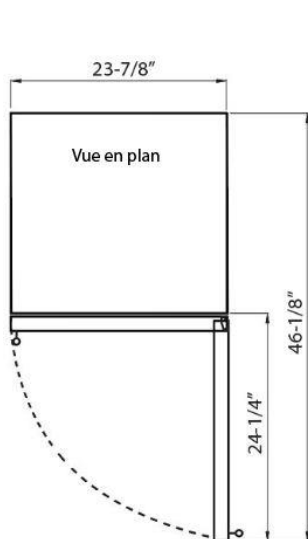
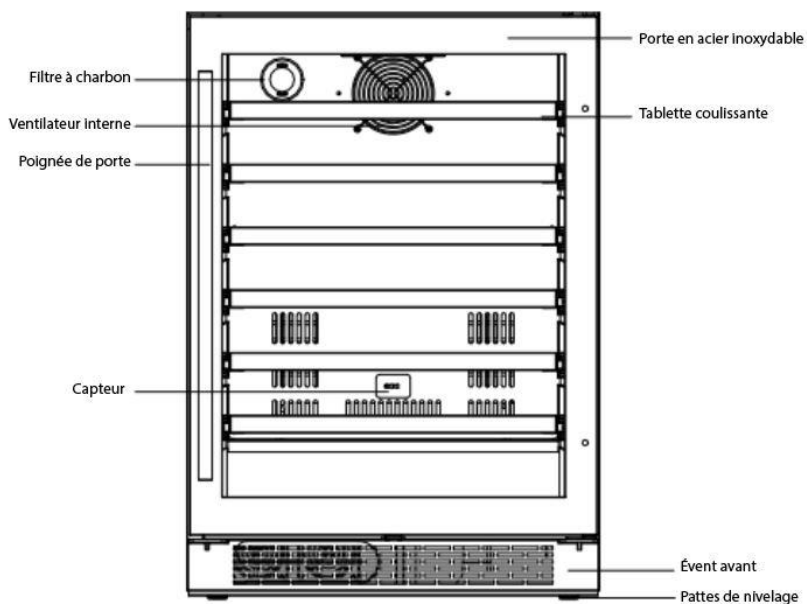
Cet appareil doit être branché à une prise électrique standard mise à la terre de 115/120 volts, c.a. de ~60 Hz.

DESCRIPTION DU PRODUIT	Refroidisseur de vin à une zone
MODÈLE	PRW24C01BG
TENSION/FRÉQUENCE	115 VCA/60 Hz
INTENSITÉ DE COURANT	1.0 A
COULEUR	Boîtier noir avec porte en acier inoxydable
CAPACITÉ D'ENTREPOSAGE	(53) 750ml bouteilles
RÉFRIGÉRANT	R600a
PLAGE DE TEMPÉRATURES	40 °F à 65 °F
DIMENSIONS (HxLxP)	33-7/8 po X 23-7/8 po X 23-5/8 po
POIDS BRUT (lb)	145,5
POIGNÉE PRO OPTIONNELLE	PRHAN-C001
FILTRE À CHARBON DE REPLACEMENT	Z0F-C004

Entreposage interne



Identification des pièces et dimensions



Instructions d'installation



Filtre à charbon

Un filtre à charbon intégré protège vos boissons en agissant comme une barrière naturelle contre les mauvaises odeurs. Vous devriez remplacer le filtre à charbon tous les trois à six mois, selon le niveau d'exposition de votre appareil aux mauvaises odeurs. Si vous installez l'appareil dans une cuisine, il est idéal de remplacer le filtre tous les trois mois.

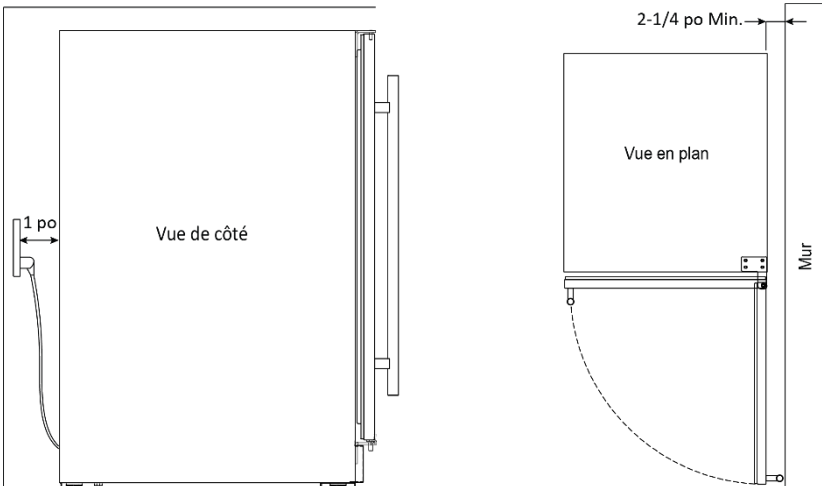
Pour retirer le filtre à charbon du panneau arrière, faites-le tourner dans le sens antihoraire.

No de pièce du filtre à charbon de remplacement : Z0F-C004.

Espace libre requis pour l'installation

Lors de l'installation du refroidisseur de vin sous un comptoir, veuillez respecter les espaces libres recommandés ci-dessous.

- Pour assurer un accès correct pour le service et la ventilation, prévoyez au moins un pouce d'espace libre à l'arrière, comme indiqué sur le schéma.
- L'installation doit être faite de façon à ce qu'il soit facile de tirer l'appareil vers l'avant pour procéder à des travaux d'entretien en cas de besoin.
- Le câble d'alimentation est situé à l'arrière, à droite de l'unité, et a une longueur de 72 pouces pour permettre l'emplacement de plusieurs prises.
- Lors d'une installation dans un coin, un espace libre d'au moins 2-1/4 po est requis pour la poignée de l'appareil.

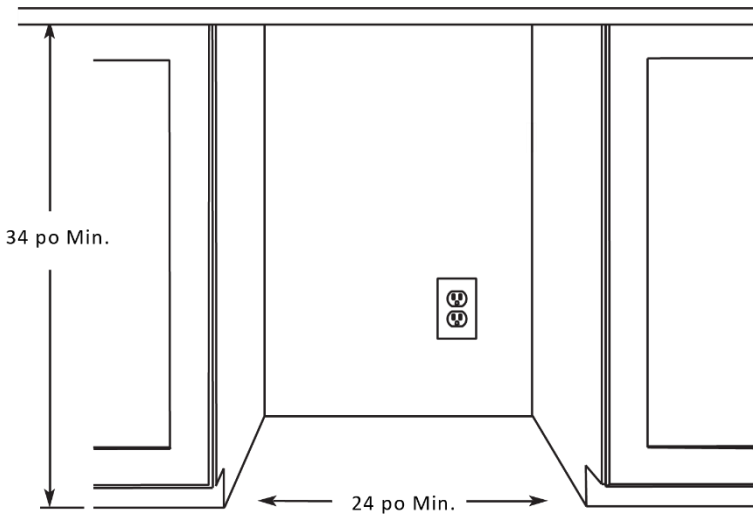


Instructions d'installation

Espace libre requis pour l'installation cont.

Lors de l'installation du refroidisseur de vin sous un comptoir, veuillez respecter les espaces libres recommandés ci-dessous.

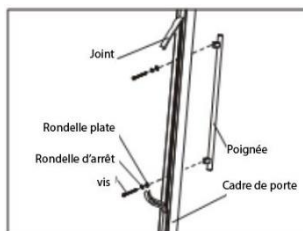
- Cabinet L'armoire doit permettre au moins 24 po de largeur et 34 po de hauteur pour accueillir le refroidisseur de vin.
- Une fois que vous êtes prêt à installer l'unité, vous devez régler les pieds pour mettre à niveau le refroidisseur de vin.



Instructions d'installation

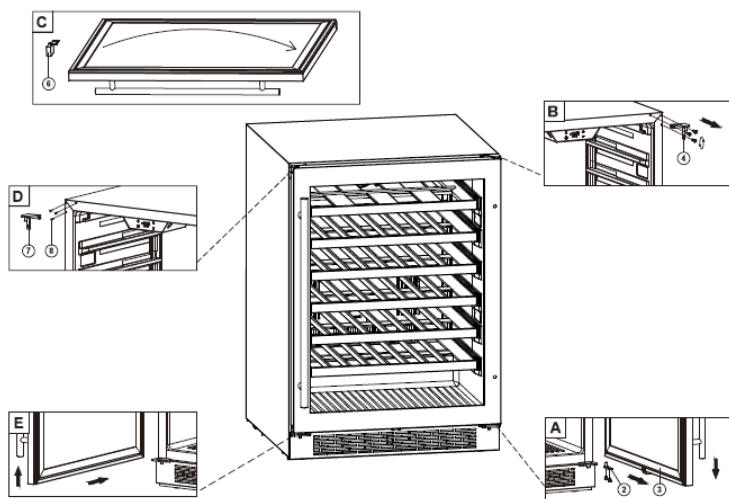
Installation de la poignée

1. Écartez le joint d'étanchéité du côté où vous voulez installer la poignée. Sous le joint d'étanchéité se trouvent deux trous désignés pour l'installation de la poignée et deux vis préinstallées.
2. Fixez fermement la poignée en place comme indiqué en utilisant les deux vis, les rondelles d'arrêt et les rondelles plates préinstallées.



Inversion de l'ouverture de la porte de votre appareil

Si vous souhaitez inverser l'ouverture de la porte, veuillez suivre les instructions ci-dessous :



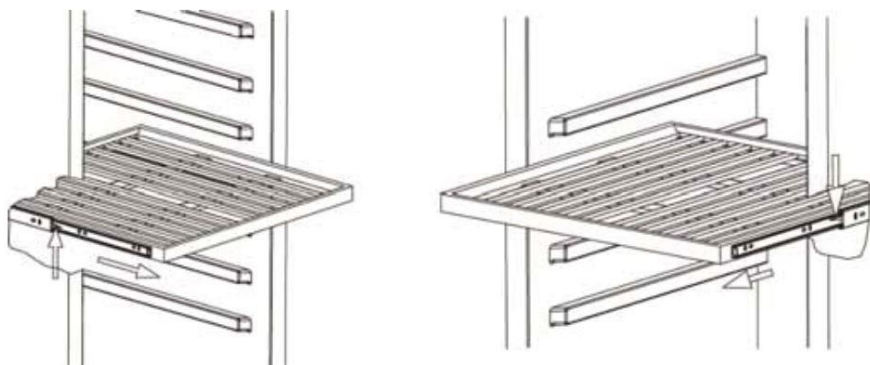
- A. Ouvrez la porte de verre à un angle de 90 degrés, enlevez les deux vis de la charnière inférieure (2), puis retirez la porte (3), les entretoises de la plaque de la charnière ainsi que la plaque de la charnière.
- B. Enlevez les trois vis de la charnière du coin supérieur droit (4).
- C. Dévissez les deux vis se trouvant à la base de la porte et retirez l'interrupteur Reed (6). Fixez ensuite l'interrupteur Reed à la partie supérieure du cadre de porte.
- D. Enlevez les plaques de recouvrement décoratives des trous (8) se trouvant du côté supérieur gauche de l'appareil et fixez la nouvelle charnière supérieure (7) à la partie supérieure de l'appareil avec trois vis. Installez les plaques de recouvrement décoratives des trous sur le dessus de l'appareil.
- E. Installez la porte et les entretoises, puis alignez correctement la porte.

Instructions d'installation

- Pour éviter d'endommager la porte ou le joint d'étanchéité, assurez-vous d'ouvrir la porte à un angle d'au moins 90 degrés lorsque vous retirez les étagères des glissières.

RETRAIT DES TABLETTES EN BOIS :

1. Ouvrez complètement la porte.
2. Enlevez tout ce qui se trouve sur la tablette s'il y a lieu.
3. Tirez la tablette vers vous jusqu'à ce qu'elle atteigne la position d'extension maximale.
4. La tablette est munie de supports en plastique latéraux, comme indiqué sur le diagramme ci-dessous. Poussez le support en plastique du côté droit vers le bas tout en soulevant le support en plastique du côté gauche.
5. Tirez la tablette à l'extérieur des rails jusqu'à ce qu'elle sorte complètement du compartiment intérieur.



Fonctionnement de votre appareil

Si l'appareil est débranché ou éteint, ou s'il n'y a pas d'alimentation électrique, vous devez attendre entre trois et cinq minutes avant de le rallumer. Si vous tentez de rallumer l'appareil avant, il pourrait ne pas fonctionner et il conservera la dernière température programmée.

UTILISATION DU TABLEAU DE COMMANDE :



La température de ce refroidisseur de vin peut être réglée entre 40 °F et 65 °F.

Touche de mise en marche

Tenez cette touche enfoncée pendant trois secondes pour allumer et éteindre l'appareil. Lorsque le compresseur de l'appareil est en marche, le témoin lumineux R peut s'allumer pour indiquer que cette fonction est active.

Augmentation de la température

Appuyez sur cette touche pour augmenter la température d'un degré. Le réglage de température le plus élevé de cet appareil est de 65 °F.

Réduction de la température

Appuyez sur cette touche pour réduire la température d'un degré. Le réglage de température le plus bas de cet appareil est de 40 °F.

Éclairage intérieur

Appuyez sur cette touche pour parcourir les différents réglages de l'éclairage intérieur. Trois réglages d'éclairage sont disponibles : blanc nuage, bleu foncé et ambré.

Sélecteur de °F/°C

Tenez les boutons d'augmentation et de diminution de température enfoncés en même temps pour changer l'affichage de la température.

Éclairage intérieur

Le refroidisseur est équipé de lampes intérieures latérales à trois réglages de couleur : ambré, blanc nuage ou bleu foncé. Puisque l'appareil est vendu avec une porte en verre, l'intérieur est visible, que la porte soit ouverte ou fermée.

Vous pouvez choisir de régler l'éclairage dans deux modes : mode vitrine ou mode automatique.

Fonctionnement de votre appareil

Mode vitrine

L'intérieur est constamment illuminé, que la porte soit ouverte ou fermée.

Mode automatique

L'intérieur s'allume chaque fois que la porte est ouverte et s'éteint en s'estompant lorsque la porte est fermée. Cette option est activée par un capteur situé dans l'évent avant et permet au réfrigérateur de savoir quand la porte est ouverte ou fermée.

*Le mode automatique est le mode par défaut. Pour passer d'un mode à un autre, tenez le bouton de l'éclairage intérieur enfoncé pendant trois secondes.

Alarme de porte ouverte

Si la porte reste ouverte pendant plus de trois minutes, une alarme sonne et le code 00 clignote à l'écran d'affichage.

Mode Shabbath

Le mode Shabbath désactive les fonctions programmées par l'utilisateur ainsi que toutes les fonctions extérieures, y compris l'éclairage, l'affichage et les alarmes sonores. L'appareil continue de maintenir la température intérieure et les valeurs des réglages.

Pour activer ou désactiver le mode Shabbath, appuyez sur le bouton d'alimentation en appuyant simultanément deux fois sur le bouton d'augmentation de la température. L'éclairage intérieur et le tableau d'affichage resteront éteints jusqu'à la désactivation du mode Shabbath.

Note : Même si le tableau d'affichage n'est pas visible, les réglages de température demeurent actifs et la température intérieure est conservée. Le mode Shabbath demeure actif jusqu'à sa désactivation.

Mode vitrine

Avec ce mode, le compresseur et les ventilateurs ne s'allument jamais, mais toutes les autres fonctions demeurent actives.

Lors de l'utilisation du mode vitrine, un témoin lumineux R clignote lentement sur l'écran d'affichage.

Pour activer ou désactiver le mode vitrine, appuyez sur le bouton d'alimentation en appuyant simultanément deux fois sur le bouton de diminution de la température.

Dégivrage

Le refroidisseur de vin est conçu avec un système de dégivrage automatique. Toutefois, dans des environnements plus froids, il est possible que du givre s'accumule. Aussi, plus les conditions ambiantes sont humides, plus il est possible que du givre s'accumule. Dans la mesure du possible, gardez la porte fermée et évitez de l'ouvrir inutilement pour minimiser l'accumulation de givre.

Si le givre empêche la porte de se refermer adéquatement, il est possible que vous ayez à éteindre l'appareil jusqu'à la fonte totale du givre. Utilisez un chiffon absorbant pour sécher l'appareil.

Avertissement : Ne tentez jamais d'enlever le givre avec un objet coupant.

Entretien

Bruits normaux

Votre refroidisseur de vin peut émettre des bruits auxquels vous n'êtes pas habitués. La plupart des bruits sont normaux. Les surfaces dures comme les planchers ou les murs peuvent donner l'impression que les bruits sont plus forts qu'ils le sont en réalité. Veuillez trouver ci-dessous une liste de bruits auxquels vous n'êtes peut-être pas habitués ainsi que leur source.

- La circulation de liquide réfrigérant ou d'eau peut produire des cliquetis.
- Les éléments entreposés sur le refroidisseur de vin peuvent également faire du bruit.
- Le compresseur à haut rendement peut émettre des vibrations ou un son aigu.
- L'écoulement de l'eau entre l'évaporateur et le réservoir peut produire des bruits d'éclaboussure.
- À la fin de chaque cycle, le mouvement du liquide réfrigérant dans votre refroidisseur de vin peut émettre des gargouillis.
- Il est possible que vous entendiez le ventilateur pousser l'air dans le condenseur.

Nettoyage et entretien

Le nettoyage périodique et l'entretien adéquat de l'appareil assurent son efficacité, son rendement optimal et sa longévité.

NETTOYAGE DE L'INTÉRIEUR :

1. Débranchez l'appareil.
2. Ouvrez la porte, puis enlevez les boissons et les tablettes.
3. Avec un chiffon propre, essuyez l'intérieur de l'appareil.
4. Réinsérez les tablettes et les boissons.
5. Rebranchez l'appareil.

NETTOYAGE DE L'EXTÉRIEUR :

Vous pouvez nettoyer la porte et le bâti avec un détergent doux et une solution contenant deux cuillères à table de bicarbonate de soude pour chaque pinte d'eau tiède. N'utilisez pas de produits nettoyants abrasifs ou à base de solvant. Utilisez une éponge douce et rincez avec de l'eau propre. Essayez avec un chiffon doux propre pour prévenir les taches d'eau. Si le panneau de la porte est fait d'acier inoxydable, il peut se décolorer lors d'une exposition à du chlore gazeux et à de l'humidité. Nettoyez l'acier inoxydable avec un chiffon humide ainsi qu'une solution d'eau chaude et de détergent doux. N'utilisez jamais de produits nettoyants abrasifs ou corrosifs.

Entretien

Panne d'électricité

La plupart des pannes d'électricité prennent fin au bout de quelques heures et ne devraient pas avoir d'incidence sur la température intérieure de votre appareil si vous minimisez le nombre de fois où vous ouvrez la porte. Si la panne dure plus de temps, vous devez prendre les mesures nécessaires pour protéger le contenu de votre appareil.

Déplacement du refroidisseur de vin

- Enlevez tous le contenu de l'appareil.
- Fixez tous les éléments libres (étagères) se trouvant à l'intérieur de l'appareil avec du ruban.
- Pour éviter tout dommage, repliez la patte ajustable vers le haut en la faisant tourner dans le sens horaire.
- Tenez la porte fermée avec du ruban.
- Assurez-vous que l'appareil demeure en position verticale pendant le transport. Protégez également l'extérieur de l'appareil avec une couverture ou une autre protection.

Conseils d'économie d'énergie

- Vous devriez installer l'appareil à l'endroit le plus frais de la pièce, loin d'appareils produisant de la chaleur et à l'abri de la lumière directe du soleil.
- Assurez-vous que l'appareil est convenablement aéré. Ne couvrez jamais les événements.
- Ouvrez la porte le moins longtemps possible.

Dépannage

PROBLÈME POSSIBLE	CAUSE POTENTIELLE	SOLUTIONS
L'appareil ne fonctionne pas.	● Il n'est pas branché.	● Assurez-vous que le refroidisseur est branché et que la prise de courant est raccordée à la source d'alimentation électrique.
	● L'appareil est éteint.	● Allumez l'appareil.
	● Le disjoncteur est déclenché ou un fusible a sauté.	● Remplacez le fusible ou enclenchez le disjoncteur.
	● Le mode Shabbath est peut-être actif.	● Consultez la section « Fonctionnement » et assurez-vous que le mode Shabbath est désactivé.
L'appareil n'est pas assez froid.	● Jetez un coup d'œil au réglage de température.	● Ajustez la température.
	● L'environnement extérieur peut nécessiter un réglage de température plus élevée.	● Gardez l'appareil à l'abri de la lumière directe du soleil ou d'autres sources de chaleur.
	● Le mode vitrine est peut-être actif.	● Consultez la section sur le fonctionnement de l'appareil et assurez-vous que le mode vitrine est désactivé.
	● La porte est ouverte trop souvent ou pendant de trop longues périodes.	● Fermez bien la porte et ne la laissez pas ouverte pendant de trop longues périodes.
	● Le joint d'étanchéité de la porte n'est pas bien scellé.	● Assurez-vous que le joint d'étanchéité de la porte n'est pas desserré.
	● La ventilation autour du refroidisseur n'est pas suffisante.	● Lisez et suivez les instructions de la section « Espace libre requis pour l'installation ».
	● La circulation d'air dans le refroidisseur est restreinte parce que l'appareil est trop chargé.	● Libérez de l'espace dans l'appareil pour permettre à l'air de circuler.
L'appareil s'allume et s'éteint souvent.	● La température ambiante est plus élevée que d'habitude.	● Faites fonctionner le refroidisseur à la température ambiante appropriée.
	● Le joint d'étanchéité de la porte n'est pas bien scellé.	● Assurez-vous que le joint d'étanchéité de la porte est bien scellé.
	● La porte est trop souvent ouverte.	● Minimisez le nombre de fois où vous ouvrez la porte.

	<ul style="list-style-type: none"> ● La ventilation autour du refroidisseur ne respecte pas les recommandations. 	<ul style="list-style-type: none"> ● Lisez et suivez les instructions de la section « Espace libre requis pour l'installation ».
	<ul style="list-style-type: none"> ● La porte n'est pas complètement fermée. 	<ul style="list-style-type: none"> ● Assurez-vous que la porte est complètement fermée.
Le bâti de l'appareil est électrifié.	<ul style="list-style-type: none"> ● L'appareil n'est pas bien mis à la terre. 	<ul style="list-style-type: none"> ● Communiquez avec votre électricien pour tester le système électrique de mise à la terre.
Du givre se forme dans l'appareil.	<ul style="list-style-type: none"> ● L'environnement est humide. 	<ul style="list-style-type: none"> ● Bien que l'appareil utilise un système de dégivrage automatique, il peut être nécessaire de procéder au dégivrage manuel dans certaines conditions. Si le givre s'accumule, vous pouvez essayer de régler votre réfrigérateur à une température plus chaude, minimiser le nombre de fois où vous ouvrez la porte, ou débrancher l'appareil pour faire fondre le givre.
	<ul style="list-style-type: none"> ● La température ambiante est trop basse. 	
	<ul style="list-style-type: none"> ● La porte est ouverte trop souvent. 	
L'appareil fait trop de bruit.	<ul style="list-style-type: none"> ● La circulation de liquide réfrigérant peut produire des cliquetis, ce qui est normal. À la fin de chaque cycle, le mouvement du liquide réfrigérant dans votre refroidisseur de vin peut émettre des gargouillis. 	<ul style="list-style-type: none"> ● À la fin de chaque cycle, il est normal que le mouvement du liquide réfrigérant dans votre refroidisseur de vin produise des gargouillis. Le compresseur à haut rendement peut émettre des vibrations ou un son aigu.
	<ul style="list-style-type: none"> ● La contraction et l'expansion des parois intérieures peuvent créer des bruits de craquement et d'éclatement. 	<ul style="list-style-type: none"> ● Certains de ces bruits sont normaux. Ils sont causés par l'expansion et la contraction des parois intérieures en raison des changements de température.
	<ul style="list-style-type: none"> ● L'appareil n'est pas nivelé ou est en contact avec un autre électroménager. 	<ul style="list-style-type: none"> ● Assurez-vous que le refroidisseur est de niveau et qu'il n'est pas en contact avec un autre électroménager ou avec un meuble.
La porte ne se ferme pas bien.	<ul style="list-style-type: none"> ● L'appareil n'est pas de niveau. 	<ul style="list-style-type: none"> ● Assurez-vous que l'appareil se trouve sur une surface nivelée.
	<ul style="list-style-type: none"> ● Le joint d'étanchéité de la porte n'est pas bien installé. 	<ul style="list-style-type: none"> ● Assurez-vous que le joint d'étanchéité de la porte est bien installé.
	<ul style="list-style-type: none"> ● Le joint d'étanchéité est sale. 	<ul style="list-style-type: none"> ● Nettoyez le joint d'étanchéité de la porte.
	<ul style="list-style-type: none"> ● Les étagères ne sont pas à la bonne position. 	<ul style="list-style-type: none"> ● Installez les tablettes adéquatement.

ENREGISTRMENT DU PRODUIT

Nous vous félicitons d'avoir acheté une produit Zephyr. Veuillez prendre un moment pour enregistrer votre nouvelle produit au www.zephyronline.com/registration

C'EST IMPORTANT

Cet enregistrement rapide est utile à bien des égards.

- Il assure la couverture de votre garantie si vous avez besoin de service après-vente.
- À des fins d'assurance, il permet de confirmer que vous êtes le propriétaire.
- Il vous permet de recevoir des avis concernant des modifications ou des rappels de produits.



Zephyr Ventilation | 2277 Harbor Bay Pkwy. | Alameda, CA 94502 | 1.888.880.8368