

Installation

INSTRUCTIONS

Professional Series Pro Harmony[®] Ranges



Installation

INSTRUCTIONS

Professional Series Pro Harmony® Ranges

Table of contents (English)	2
Table de matières (Français).....	26
Índice de materias (Español)	51

**Models |
Modèles |
Modelos:**

- PRD304WHC/U
- PRD305WHC/U
- PRD364WDHC/U
- PRD364WLHU
- PRD366WHC/U
- PRD484WCHU
- PRD486WDHC/U
- PRD486WLHU
- PRG304WH
- PRG305WH
- PRG364WDH
- PRG364WLH
- PRG366WH
- PRG486WDH
- PRG486WLH



Table of CONTENTS

Safety 3
 Important safety instructions 3
 Installation instructions 6
 Planning information 6
 Ventilation requirements 6
 Installation clearances..... 7
 Gas and electric locations 12
 Unpacking and moving the range 13
 Installing the anti-tip bracket (required) 14
 Gas requirements and hookup 15
 Electrical requirements and connection for
 GAS models..... 16
 Electrical requirements and connection for
 DUAL FUEL models 17
 Backguard installation 19
 Door removal and adjustment 20
 Placing and leveling the range 21
 Data rating label 22
 Burner test 23
 Installer checklist 25
 Final check 25
 Support, accessories, and parts..... back page

Safety DEFINITIONS

▲ WARNING

This indicates that death or serious injuries may occur as a result of non-observance of this warning.

▲ CAUTION

This indicates that minor or moderate injuries may occur as a result of non-observance of this warning.

NOTICE: This indicates that damage to the appliance or property may occur as a result of non-compliance with this advisory.

Note: This alerts you to important information and/or tips.

This THERMADOR® appliance is made by
 BSH Home Appliances Corporation
 1901 Main Street, Suite 600
 Irvine, CA 92614

Questions?
 1-800-735-4328
 www.thermador.com


We look forward to hearing from you!

Safety

⚠ IMPORTANT SAFETY INSTRUCTIONS READ AND SAVE THESE INSTRUCTIONS

INSTALLER: Save these Instructions for the local gas inspector's use. Please leave these Installation instructions with this unit for the owner. Show the owner the location of the circuit breaker or fuse. Mark it for easy reference.

OWNER: Please retain these instructions for future reference. Before using your appliance, be sure to read this manual.

WARNING	
	If the information in this manual is not followed exactly, a fire or explosion may result causing property damage, personal injury or death.
--	DO NOT store or use gasoline or other flammable vapors and liquids in the vicinity of this or any other appliance.
--	WHAT TO DO IF YOU SMELL GAS
	<ul style="list-style-type: none">• DO NOT try to light any appliance.• DO NOT touch any electrical switch.• DO NOT use any phone in your building.• Immediately call your gas supplier from a neighbor's phone. Follow the gas supplier's instructions.• If you cannot reach your gas supplier, call the fire department.
--	Installation and service must be performed by a qualified installer, service agency or the gas supplier.

WARNING



ELECTRICAL SHOCK HAZARD

- Disconnect power before installing or servicing. Before turning power ON, be sure that all controls are in the OFF position.
- **DO NOT** remove connections.
- **DO NOT** use an extension cord.
- Improper grounding can result in a risk of electric shock.
- Failure to follow these instructions can result in death, fire, or electrical shock.

WARNING

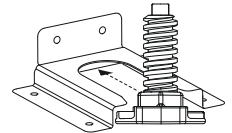


RANGE TIPPING HAZARD:

- All ranges can tip and injury can result. To prevent accidental tipping of the range, attach it to the floor by installing the Anti-Tip Bracket supplied.
- A risk of tip-over may exist if the appliance is not installed in accordance with these instructions. For all ranges an anti-tip device **MUST** be installed.



- A child or adult can tip the range and be killed.
- **DO NOT** operate the range without the anti-tip device in place and engaged. Failure to do so can result in death or serious burns to children or adults.
- If the range is pulled away from the wall for cleaning, service or for any other reason, ensure that the Anti-Tip Device is properly re-engaged when the range is pushed back against the wall. In the event of abnormal usage (such as a person standing, sitting, or leaning on an open door), failure to take this precaution can result in tipping of the range. Personal injury might result from spilled hot liquids or from the range itself.



Local codes vary. Installer is responsible for ensuring that the installation, gas connections, and grounding comply with all applicable codes. Failure to follow appropriate local codes and regulations may void the warranty.

The installation of appliances designed for manufactured (mobile) home installation must conform with the Manufactured Home Construction and Safety Standard, Title 24 CFR, Part 3280 [formerly the Federal Standard for Mobile Home Construction and Safety, Title 24, HUD {Part 280}] or with local codes where applicable.

The installation of appliances designed for Recreational Park Trailers must conform with state or other codes or, in the absence of such codes, with the Standard for Recreational Park Trailers, ANSI A119.5.

Examine the appliance after unpacking it. In the event of transport damage, do not plug it in.

IMPORTANT SAFETY INSTRUCTIONS

READ AND SAVE THESE INSTRUCTIONS

Remove all tape and packaging before using the appliance. Dispose of packaging in an environmentally-responsible manner. Never allow children to play with packaging material.

This appliance must be grounded. Grounding reduces the risk of electric shock by providing a safe pathway for electric current in the event of a short circuit.

The appliance, when installed, must be electrically grounded in accordance with local codes or, in the absence of local codes, with the National Electrical Code, NFPA 70 latest edition, or the Canadian Electric Code, CSA C22.1-02.

DO NOT install this appliance outdoors.

For Massachusetts Installations:

- Installation must be performed by a qualified or licensed contractor, plumber or gas fitter qualified or licensed by the state, province or region where this appliance is being installed.
- Shut-off valve must be a "T" handle gas cock.
- Flexible gas connector must not be longer than 36" (914 mm).

Verify the type of gas supplied to the location. Ensure that the appliance is connected to the type of gas for which it is certified.

This appliance is capable of being safely placed in operation in the event of a power failure. Only the standard top burners can be manually lit.

Always keep appliance area clear from combustible materials, gasoline and other flammable vapors and liquids.

Natural gas — 7 inch water column. (17.4 mb) min., 14 inch (34.9 mb) maximum

Propane gas — 11 inch water column. (27.4 mb) min., 14 inch (34.9 mb) maximum

This appliance is shipped from the manufacturer for use with natural gas. For use with propane (LP) gas, a conversion kit must be purchased separately. An authorized servicer must do the LP conversion. See the back cover for information about service, parts, and accessories.

CAUTION

When connecting the unit to propane gas, make certain the propane gas tank is equipped with its own high-pressure regulator in addition to the pressure regulator supplied with the appliance. The maximum gas pressure to this appliance must not exceed 14.0" water column (34.9 mb) from the propane gas tank to the pressure regulator.

This appliance complies with one or more of the following standards:

- UL 858, The Standard for the Safety of Household Electric Ranges
- ANSI Z21.1, The American National Standard for Household Cooking Gas Appliances
- CAN1-1.1-M81, Domestic Gas Ranges
- CSA C22.2 No. 61, Household Cooking Ranges

Check local building codes for the proper method of appliance installation. Local codes vary; it is the responsibility of the installer to ensure installation is in accordance with these codes. Installation, electrical connections, and grounding must comply with all applicable codes.

In the absence of local codes the appliance should be installed in accordance with the National Electric Code NFPA 70 current issue and National Gas Code NFPA 54/ANSI Z223.1 – current issue. In Canada, installation must be in accordance with the Canadian Electric Code, CSA C22.1-02 and the CAN 1-B149.1 and .2 – Installation Codes for Gas Burning Appliances and/or local codes.

Proposition 65 Warning

This product may contain a chemical known to the State of California, which can cause cancer or reproductive harm. Therefore, the packaging of your product may bear the following label as required by California:

State of California Proposition 65 Warning:

 **WARNING**

Cancer and Reproductive Harm -
www.P65Warnings.ca.gov

IMPORTANT SAFETY INSTRUCTIONS

READ AND SAVE THESE INSTRUCTIONS

REAR CLEARANCE REQUIREMENTS:

- To avoid staining on the back wall, high temperature, non-porous construction materials suitable for use in a cooking environment are recommended.
- Models PCG305xx, PRG305xx, PRG304xx, PRD305xx, PRD304, and PRD606xx are suitable for 0" rear clearance to combustible surfaces.
- All other models:
 - When using the included island trim a minimum 6" (152 mm)* rear clearance is required to a combustible surface*.
 - When installing against a combustible surface, a Thermador® low backguard is required for a 0" rear clearance to the combustible surface. A Thermador Low Backguard must be purchased separately.
 - A rear clearance to a surface covered in a non-combustible material (metal, ceramic tile, brick, marble, or stone)^Δ is 0" when using the included Island Trim.

*Clearances of less than 6" (152 mm) should be approved by the local codes and/or by the local authority having jurisdiction.

Δ Clearances from non-combustible materials are not part of the ANSI Z21.1 scope and are not certified by CSA.

WARNING

Never Operate the Top Surface Cooking Section of this Appliance Unattended

- Failure to follow this warning statement could result in fire, explosion, or burn hazard that could cause property damage, personal injury, or death.
 - If a fire should occur, keep away from the appliance and immediately call your fire department. **DO NOT ATTEMPT TO EXTINGUISH AN OIL/GREASE FIRE WITH WATER.**
-

WARNING

To avoid possible burn or fire hazard, a backguard designed specifically for this appliance should be installed whenever the appliance is used.

WARNING

To eliminate risk of burns or fire caused by reaching over heated surface units, cabinet storage located above the surface units should be avoided.

CAUTION

This unit is designed as a cooking appliance. Based on safety considerations, never use it for warming or heating a room. Doing so may result in carbon monoxide poisoning and overheating the appliance.

Installation instructions

Planning information

⚠ CAUTION

To prevent possible damage to cabinets and cabinet finishes, use only materials and finishes that will not discolor or divide into layers. Materials should be able to withstand temperatures up to 194 °F (90 °C). Heat and moisture resistant adhesive must be used if the product is to be installed in laminated cabinetry. Check with the manufacturer to ensure materials meet these requirements.

Before using your appliance, be sure to read this manual. Pay special attention to the Important Safety Instructions located at the beginning of the manual.

Any opening in the wall behind the appliance and in the floor under the appliance shall be sealed.

Tools needed

- 7/16" box end wrench or ratchet
- 3/16" (4.76 mm) drill bit
- Hand or electric drill
- 1/8" (3.17 mm) drill bit
- 12" Adjustable wrench
- T-20 screwdriver
- T-30 screwdriver
- Tape measure
- Furniture dolly or air sled
- Phillips screwdriver
- Level
- Marking instrument
- Protective gloves
- Safety glasses

Items not included

- Drywall / concrete anchors
- Rope/twine
- 2 – NPT flare adapters
- Pipe compound / tape
- 3/4" (19 mm) flex line

IMPORTANT: There is a possibility to discolor the back wall under certain cooking conditions.

Ventilation requirements

⚠ WARNING

This appliance should not be installed with a ventilation system that directs air in a downward direction toward the range. This type of ventilation system may cause ignition and combustion problems with the appliance resulting in personal injury, property damage, or unintended operation. Ventilating systems that direct the air upwards do not have any restriction.

Refer to the "Ventilation Planning Guide" for approved ventilation combinations.

It is strongly recommended that this appliance be installed in conjunction with a Thermador® vent hood. Due to the high heat capability of this unit, particular attention should be paid to the hood and duct work installation to assure it meets local building codes.

Downdraft ventilation should not be used. The "Ventilation Planning Guide" indicates the ventilation hood options and blower capacity guidelines that are recommended for use.

Due to the high heat of the rangetop burners, installing a microwave oven with a ventilation system over the rangetop is not recommended on any model other than the 30" 5-burner. Refer to OTR manufacturer's installation manual for clearances.

Ventilation hoods and blowers are designed for use with single wall ducting. However, some local building codes or inspectors may require double wall ducting. Consult local building codes and/or local agencies before starting to assure that hood and duct installation will meet local requirements.

NOTICE: Most range hoods contain combustible components which must be considered when planning the installation.

Ventilation preparation

To prepare for the ventilation

1. Select hood and blower models:
 - For wall installations, the hood width must, at a minimum, equal the width of the range/rangetop. Where space permits, a hood larger in width than the range/rangetop may be desirable for improved ventilation performance.
 - For island installations, the hood width should overhang the width of the range/rangetop by a minimum of 3" (76 mm) on each side.
2. Hood placement:
 - For best smoke elimination, the lower edge of the hood should be installed 30" (762 mm) above the range cooking surface.
 - If the hood contains any combustible materials (i.e. a wood covering), it must be installed a minimum of 36" (914 mm) above the cooking surface.
3. Consider make-up air:
 - Due to the high volume of ventilation air, a source of outside replacement air is recommended. This is particularly important for tightly sealed and insulated homes.
 - A qualified heating and ventilating contractor should be consulted.

Installation clearances

Cabinet requirements

The appliance is a free standing unit. If the unit is to be placed adjacent to cabinets, the clearances shown in this section are required. The same clearances apply to island installations, except for the overhead cabinets, which must have a space wide enough to accept the island hood.

- See the "Ventilation planning guide" for recommended hood options. Due to the high heat of the burners, installing a microwave oven with a ventilation system over the appliance is not recommended on any model other than the 30" 5-burner. Refer to OTR manufacturer's installation manual for clearances.
- The gas and electrical supply should be within the zones shown in the "Gas and electric locations" section.
- The shaded area behind the appliance indicates an opportunity to discolor the back wall under certain cooking conditions.
- There must be a minimum of 5" (127 mm) side clearance from the appliance to combustible vertical surfaces above the 36" (914 mm) counter height.

- Within the 5" (127 mm) side clearance to combustible vertical surfaces above 36" (91.4 cm), the maximum wall cabinet depth must be 13" (330 mm).
- Wall cabinets within this 5" (127 mm) side clearance must be 18" (457 mm) above the 36" (914 mm) high countertop.
- The maximum depth of the cabinets hanging on either side of the hood is 13" (330 mm).
- There is a 36" (914 mm) minimum clearance required between the top of the cooking surface and the bottom of an unprotected cabinet. A 30" (762 mm) clearance can be used when the bottom of the wood or metal cabinet is protected by not less than 1/4" (6 mm) of a flame retardant material covered with not less than No. 28 MSG sheet steel, 0.015" (0.38 mm) thick stainless steel, 0.024" (0.61 mm) aluminum, or 0.02" (0.51 mm) thick copper.
- **DO NOT** obstruct the flow of combustion and ventilation air to the appliance.
- The appliance height is adjustable. The level of the range top must be at the same level or above the counter top level.
- To provide proper ventilation of the range **DO NOT** remove range feet.
- Any openings in the wall behind the appliance and in the floor under the appliance must be sealed.

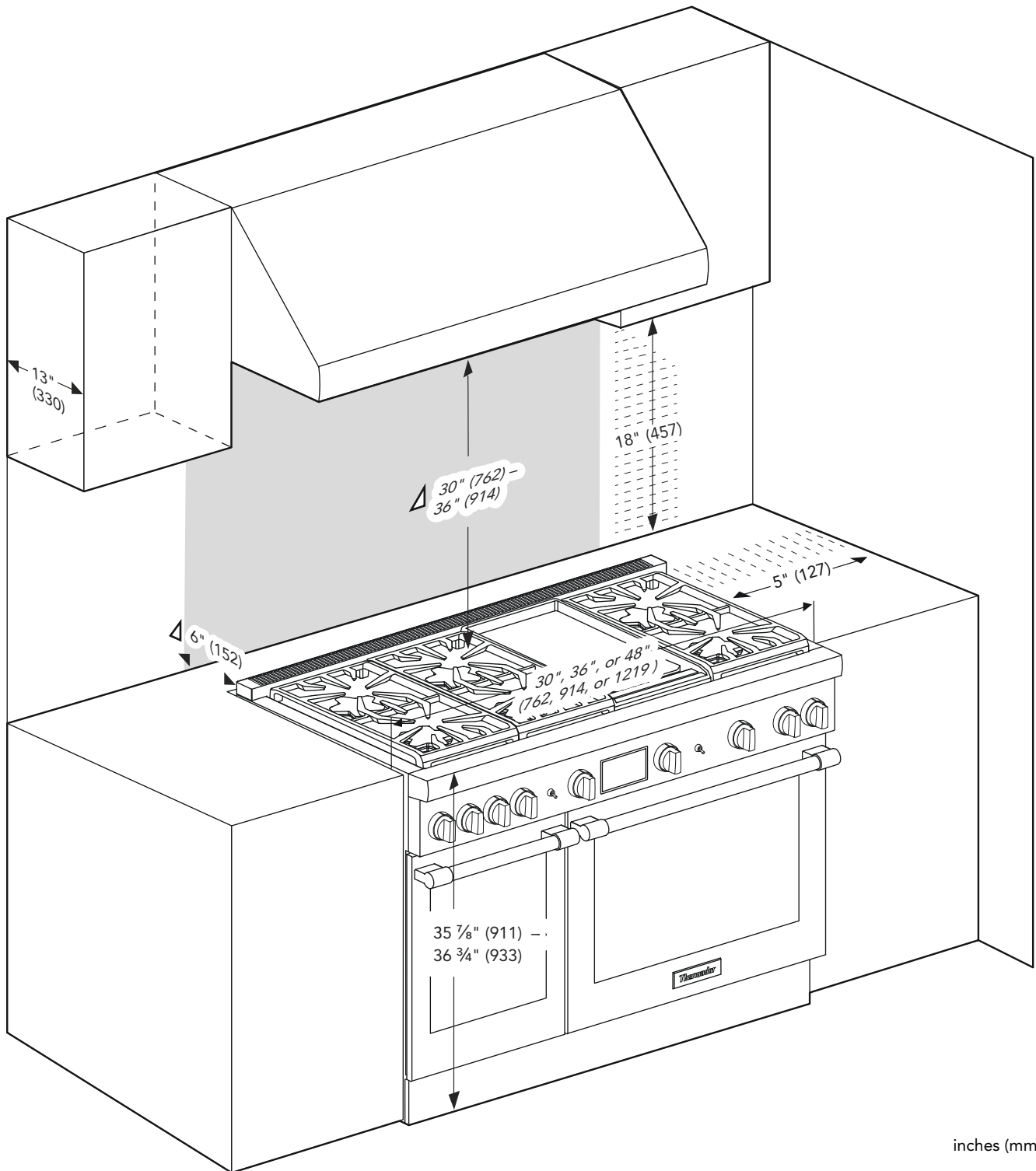
Rear clearance requirements

- To avoid staining on the back wall, high temperature, non-porous construction materials suitable for use in a cooking environment are recommended.
- Model PCG305xx, PRG305xx, PRG304xx, PRD305xx, PRD304, and PRD606xx are suitable for 0" rear clearance to combustible surfaces.
- All other models:
 - When using the included island trim a minimum 6" (152 mm)* rear clearance is required to a combustible surface*.
 - When installing against a combustible surface, a Thermador® low backguard is required for a 0" rear clearance to the combustible surface. A Thermador low backguard must be purchased separately.
 - A rear clearance to a surface covered in a non-combustible material (metal, ceramic tile, brick, marble, or stone)^Δ is 0" when using the included Island Trim.

*Clearances of less than 6" (152 mm) should be approved by the local codes and/or by the local authority having jurisdiction.

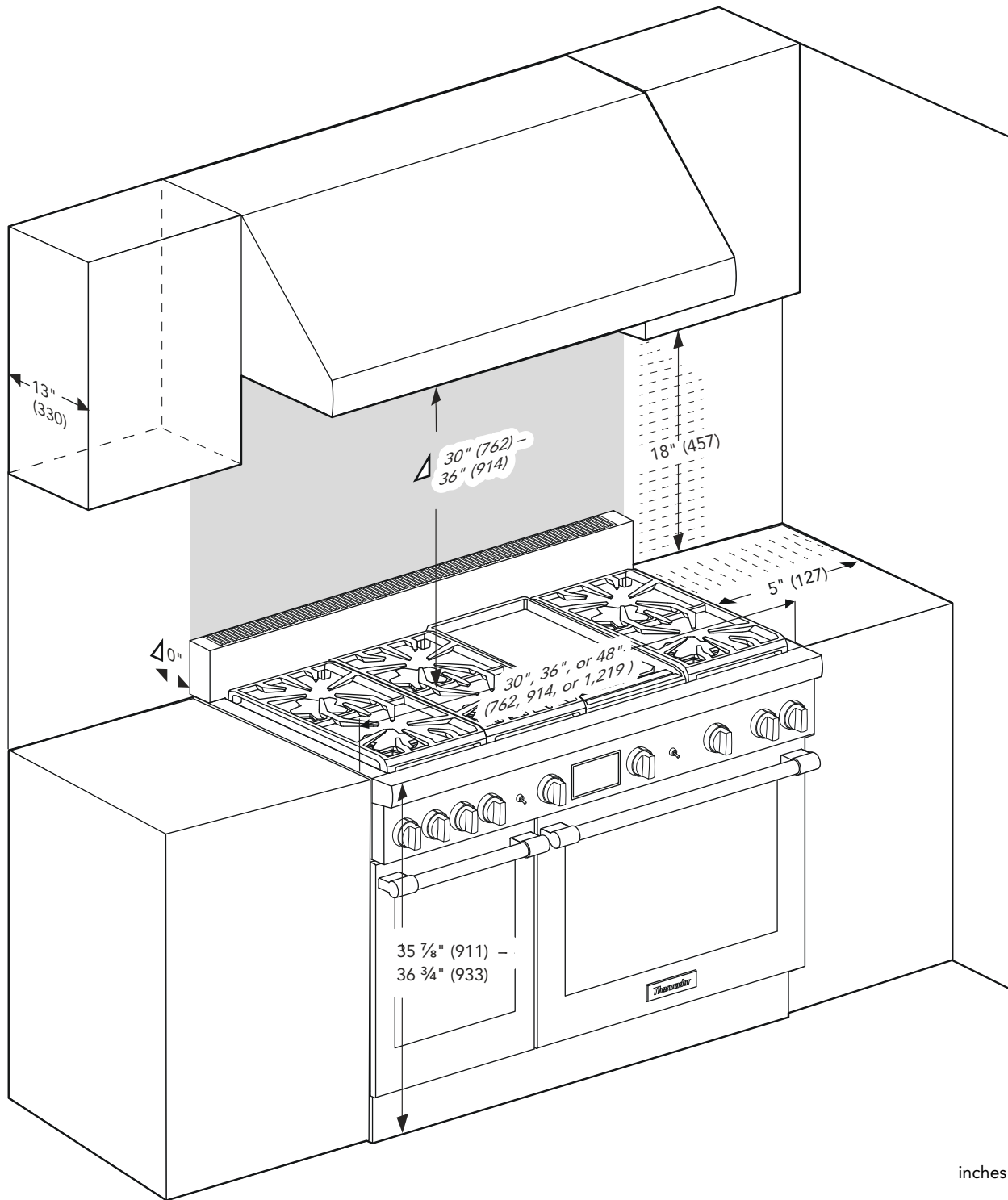
ΔClearances from non-combustible materials are not part of the ANSI Z21.1 scope and are not certified by CSA.

Cabinet clearance requirements with the included island trim



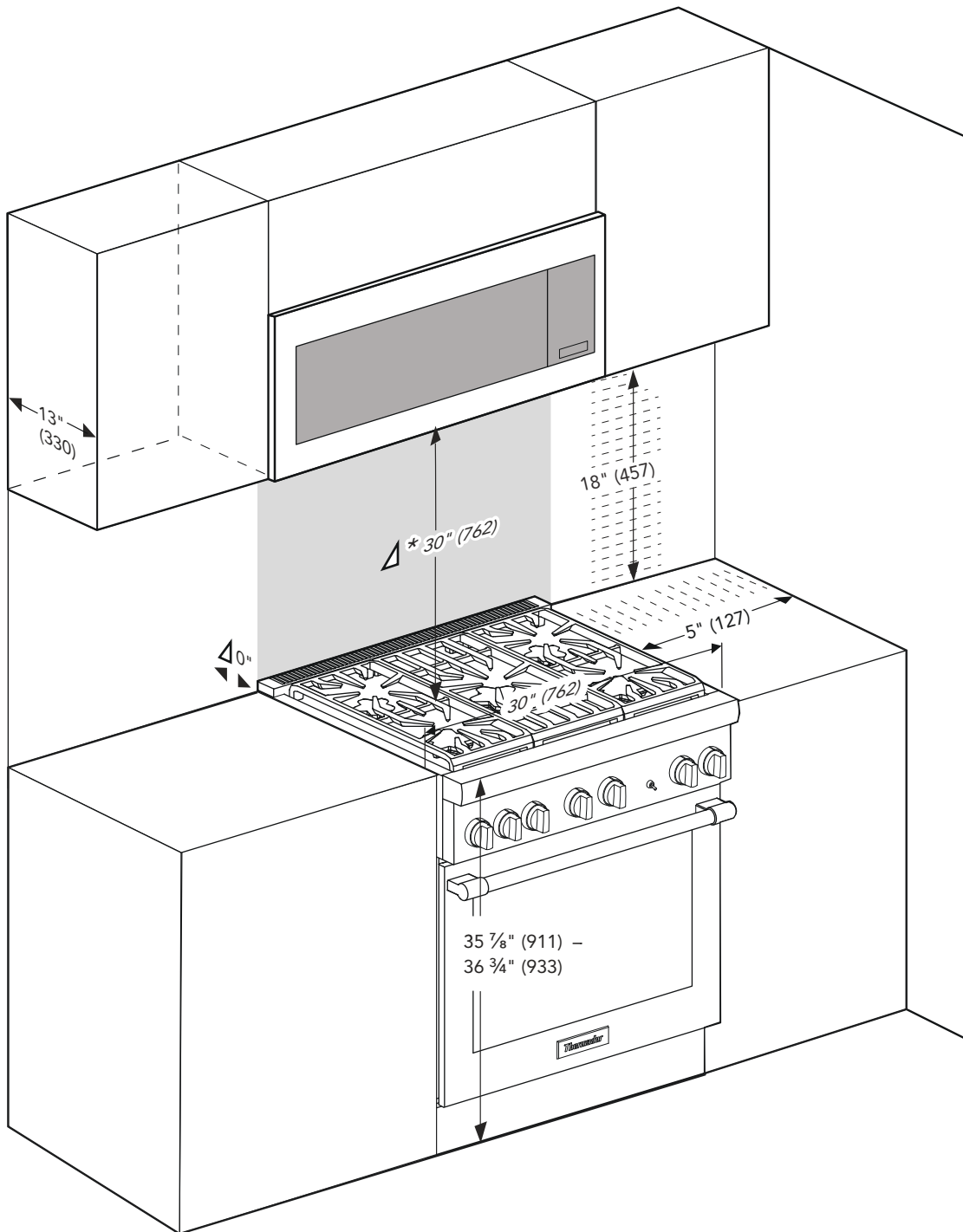
Δ as defined in the "National Fuel Gas Code" (ANSI Z223.1, Current Edition). Clearances from non-combustible materials are not part of the ANSI Z21.1 scope and are not certified by CSA. Clearances of less than 6" (152 mm) should be approved by the local codes and/or by the local authority having jurisdiction.

Cabinet clearance requirements with a low backguard (purchased separately)



Δ as defined in the "National Fuel Gas Code" (ANSI Z223.1, Current Edition). Clearances from non-combustible materials are not part of the ANSI Z21.1 scope and are not certified by CSA. Clearances of less than 6" (152 mm) should be approved by the local codes and/or by the local authority having jurisdiction.

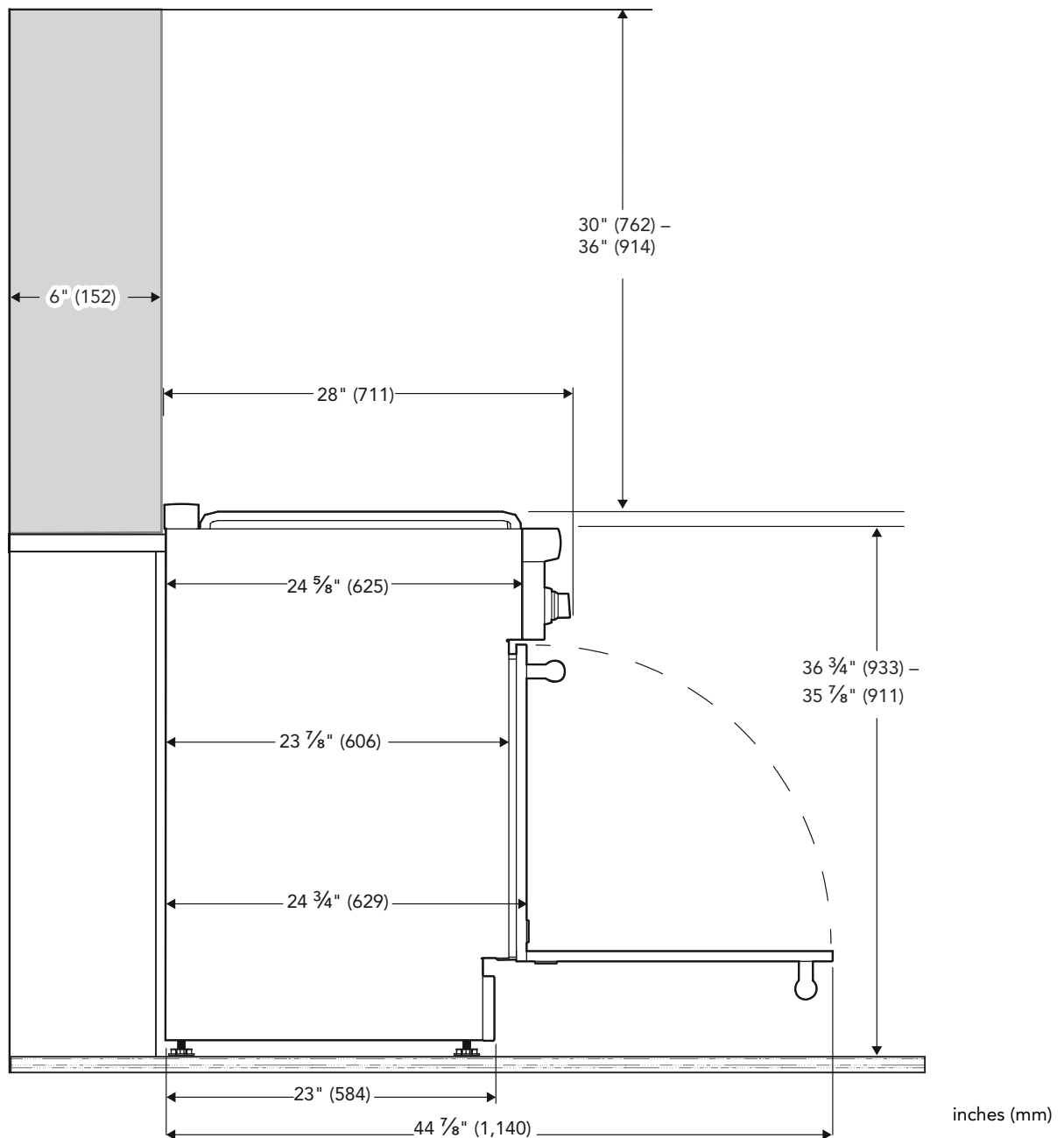
305 cabinet clearances with an OTR microwave



Δ as defined in the "National Fuel Gas Code" (ANSI Z223.1, Current Edition). Clearances from non-combustible materials are not part of the ANSI Z21.1 scope and are not certified by CSA. Clearances of less than 6" (152 mm) should be approved by the local codes and/or by the local authority having jurisdiction.

- 30" (762 mm) minimum to non-combustible material above the cooking surface.
- * Refer to OTR manufacturer's installation manual for clearances.

Side clearances



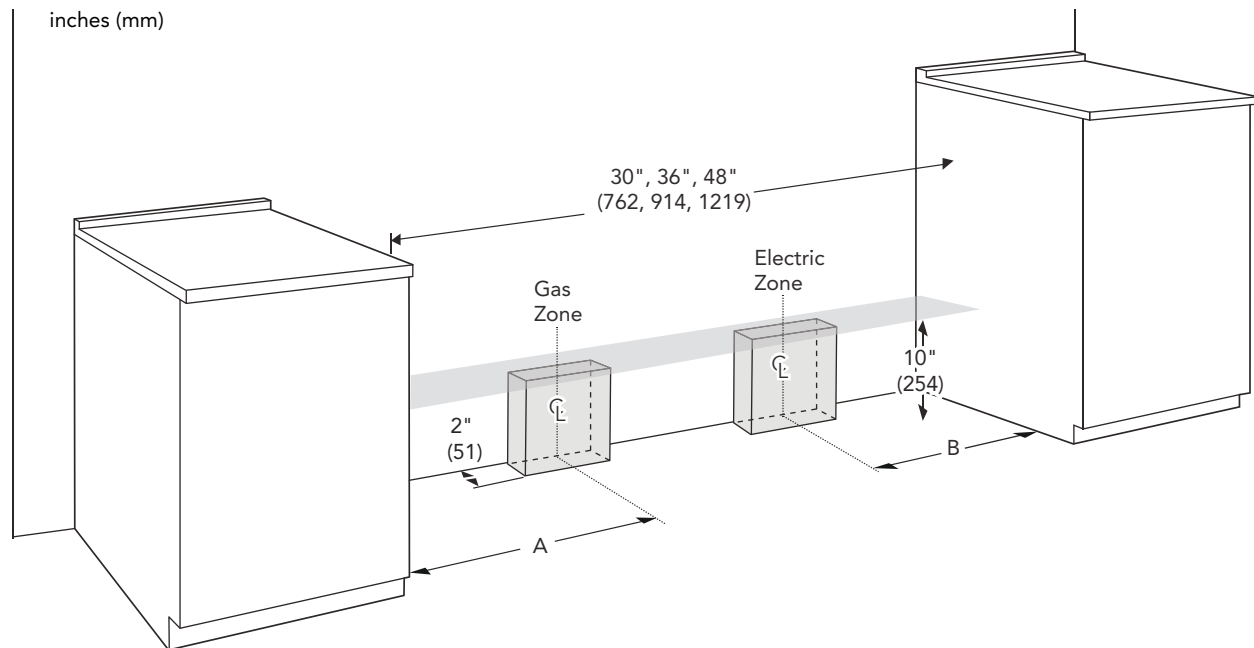
- The model shown is with the included island trim. A low backguard option is available (purchased separately).
- For an island trim install, counter surface should have a cantilever edge meeting the back section of the island trim.
- If an inner wall is used under the cantilever counter top there should be a 1/8" (3 mm) gap from the rear of the range.
- There is a 44-7/8" (1,140 mm) total clearance.
- Shaded area behind range indicates minimum clearance to combustible surfaces. Combustible materials cannot be located within this area with the Island Trim.
- There is a 23-7/8" (606 mm) maximum recess depth.

Gas and electric locations

Gas and electrical requirements

- **IMPORTANT:** If not already present, install gas shut-off valve in an easily accessible location. Make sure all users know where and how to shut off the gas supply to the range.
- A metal flex line or fixed metal pipe shall be used to connect gas to the appliance. If a metal gas line cannot be used, consult your local certified electrician or local electric codes for proper grounding.
- Any opening in the wall behind the appliance and any opening in the floor under the appliance must be sealed.
- The range must be connected only to the type of gas for which it is certified. If the range is to be connected to propane gas, ensure that the propane gas supply tank is equipped with its own high pressure regulator in addition to the pressure regulator supplied with the range.

- The gas and electrical supplies must be within the zones as indicated in the image below.
- A manual gas shut-off valve must be installed external to the appliance, in a location accessible from the front, for the purpose of shutting off the gas supply. The supply line must not interfere with the back of the unit.
- The range is supplied with its own pressure regulator that has been permanently mounted within the range body.
- For nearly-flush installation to the back wall, the gas supply line and electrical cord should not go above 10" (254 mm) above the floor.
- When the power supply cord or conduit is connected to the mating receptacle or terminal block cover, the combined plug/receptacle or terminal block cover/conduit connector should protrude no more than 2" (51 mm) from the rear wall.



Model	A	B
30" (762 mm)	4 ½" (114 mm)	4 ½" (114 mm)
36" (914 mm)	6 – 7/16" (164 mm)	6 – 7/16" (164 mm)
48" (1,219 mm)	4 ½" (114 mm)	4 ½" (114 mm)

Unpacking and moving the range

⚠ CAUTION



DO NOT lift the range by the oven door's handle, as this may damage the door hinges and cause the door to fit incorrectly.



DO NOT lift the appliance by the range's control panel.

The unit is heavy and should be handled accordingly. Proper safety equipment such as gloves and adequate manpower of at least two people must be used in moving the range to avoid injury and to avoid damage to the unit or the floor.

Rings, watches, and any other loose items that may damage the unit or otherwise might become entangled with the unit should be removed.

Hidden surfaces may have sharp edges. Use caution when reaching behind or under appliance.

DO NOT use a hand truck or appliance dolly on the back or front of the unit. Handle from the side only.

Unpacking the range

NOTES:

- **DO NOT** remove control panel foam until unit is completely installed.
- **DO NOT** lift on the control panel at any point during the installation.

To unpack the appliance

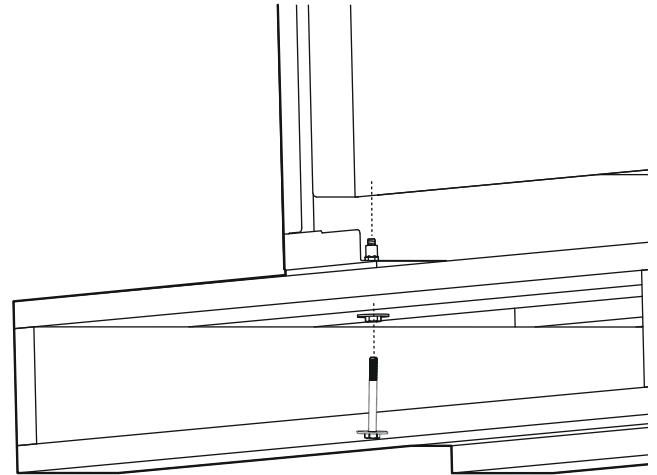
1. Remove the outer carton and packing materials from the shipping pallet.
2. Leave the protective film over brushed-metal surfaces, to protect finish from scratches, until the range is installed in its final position.
3. Remove the grates, burner caps and oven racks to facilitate handling.
4. If desired, the oven doors may be removed (see "Door removal and adjustment").

Moving the range

Due to the weight, a furniture dolly with soft wheels or an air lift should be used to move this unit. The weight must be supported uniformly across the bottom.

To remove the pallet bolts

1. To remove the pallet bolts in the front and in the back, use a 7/16" wrench or ratchet and socket to remove the pallet bolt from the bottom of the pallet.



2. Lift range and remove it from the pallet. Use additional help as required to remove from pallet.
3. Transport the range by furniture dolly close to its final location. Unit should not be dollied from the front. **DO NOT** slide the range across an unprotected floor.
4. The range can then be tipped back and supported on the rear legs while the dolly is carefully removed. **THE FLOOR UNDER THE LEGS SHOULD BE PROTECTED BEFORE PUSHING THE UNIT INTO POSITION.**

Installing the anti-tip bracket (required)

For all ranges, an anti-tip device must be installed as per these instructions.

⚠ WARNING

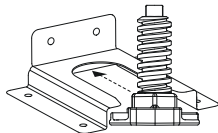


RANGE TIPPING HAZARD



- All ranges can tip and injury can result. To prevent accidental tipping of the range, attach it to the floor by installing the Anti-Tip Bracket supplied.
- A risk of tip-over may exist if the appliance is not installed in accordance with these instructions. For all ranges an anti-tip device **MUST** be installed.

- A child or adult can tip the range and be killed.
- **DO NOT** operate the range without the anti-tip device in place and engaged. Failure to do so can result in death or serious burns to children or adults.
- If the range is pulled away from the wall for cleaning, service or for any other reason, ensure that the Anti-Tip Device is properly re-engaged when the range is pushed back against the wall. In the event of abnormal usage (such as a person standing, sitting, or leaning on an open door), failure to take this precaution can result in tipping of the range. Personal injury might result from spilled hot liquids or from the range itself.



⚠ WARNING

ELECTRICAL SHOCK HAZARD

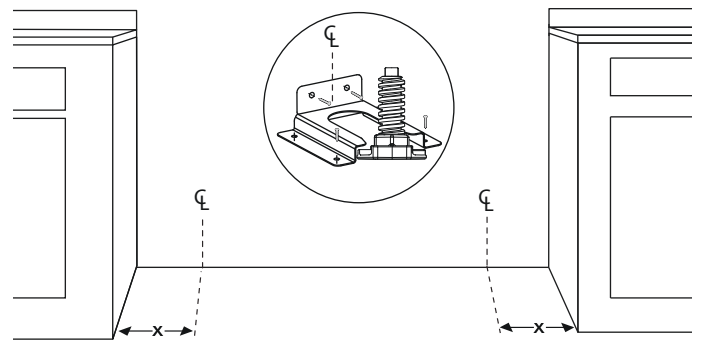
- Use extreme caution when drilling holes into the wall or floor as there may be concealed electrical wires.
- Identify the electrical circuits that could be affected by the installation of the Anti-Tip Bracket, then turn off power to these circuits.
- Failure to follow these instructions may result in electrical shock or other personal injury.

IMPORTANT:

- Hardware provided is for mounting through standard thickness wood studs. Installers are responsible to provide hardware for other types of mounting situations.
- Contact a qualified installer or contractor to determine the proper method for drilling holes through the wall or floor material (such as ceramic tile, hardwood, etc.)
- The bracket may be attached to a solid wood surface having a minimum wall thickness of 3/4" (19 mm).
- The thickness of the wall or floor may require use of longer screws, available at your local hardware store.
- In all cases, at least two (2) of the bracket mounting screws must be fastened to solid wood surface.
- Use appropriate anchors when fastening the mounting bracket to any material other than hardwood or metal.
- If the range is moved to a new location, the Anti-Tip Device must be removed and reinstalled.

Installing the anti-tip bracket

1. Locate the anti-tip bracket in the literature packet, inside the box that was on top of the appliance.
2. Place bracket on the floor in a position shown below. The bracket may be placed on either the left or the right side.
3. For walls, wall studs, or floors composed of solid wood or metal, drill 1/8" (3 mm) pilot holes.
4. Secure to floor and/or wall stud using the (4) 1 1/2" (38 mm) Phillips head screws provided.



Model	Value for 'X'
30"	1-3/4" (45 mm)
36"	2-3/16" (56 mm)
48"	1-3/4" (45 mm)

Later, when the unit is installed, the adjustable leg will slide under the bracket.

Gas requirements and hookup

⚠ CAUTION

The appliance must be isolated from the gas supply piping system by closing its individual manual shut-off valve during any pressure testing of the gas supply piping system at test pressures equal to or less than 1/2 psig (3.5kPa.).

⚠ WARNING

DO NOT use a flame of any kind to check for gas leaks.

⚠ CAUTION

When connecting unit to propane gas, make certain the propane gas tank is equipped with its own high pressure regulator in addition to the pressure regulator supplied with the appliance. The pressure of the gas supplied to the appliance regulator must not exceed 14" water column (34.9 mb).

IMPORTANT: Do not ground to a gas pipe.

Verify the type of gas being used at the installation site. Make certain the range matches the type of gas available at this location.

The gas supply connections shall be made by a competent technician and in accordance with local codes or ordinances. In the absence of local codes, the installation must conform to the National Fuel Gas Code ANSI Z223.1/NFPA54- current issue.

High altitude

This appliance has been tested for operation up to an altitude of 10,100 ft (3,078 m) elevation above sea level.

A high altitude kit is required for natural gas above 5,400 feet (1,646 m) elevation above sea level, and for propane (LP) above 10,000 feet (3048 m) elevation above sea level.

If desired, for altitudes above 2,000 feet (610 m) elevation above sea level, adjustments can be made to the rangetop burners with an adjustment kit. If flame performance is satisfactory, adjustment will not be required. It is required that a Certified Professional make the high altitude adjustments during installation.

See the back cover for information about service, parts, and accessories.

Gas requirements

Natural gas requirements:

- Inlet connection: 1/2" NPT internal (Minimum 3/4" dia. flex line)
- Supply pressure: 7" min. to 14" max. water column (17.4 to 34.9 mb)
- Manifold pressure: 5" water column (12.5 mb)

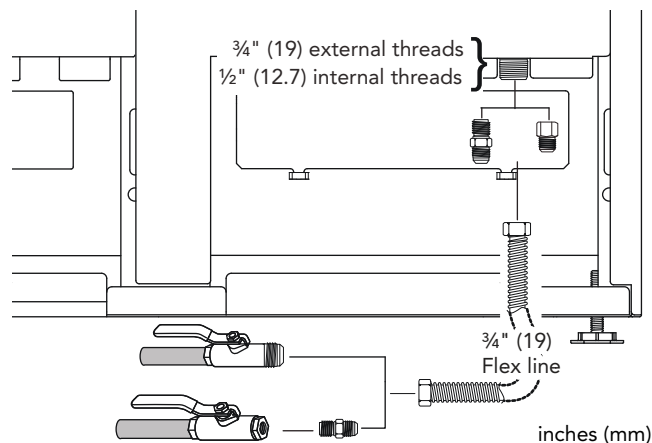
Propane gas requirements

- Inlet connection: 1/2" NPT internal (minimum 3/4" dia. flex line)
- Supply pressure: 11" min. to 14" max. water column (27.4 mb to 34.9 mb)
- Manifold pressure: 10" water column (24.9 mb)

Gas connection

To connect the gas

1. Make sure the gas supply is turned off at the manual shut-off valve before connecting the appliance.
2. Use a 3/4" (19 mm) flex line to connect between the gas supply and the appliance gas inlet. The gas supply line connection is located at the lower right portion. The appliance gas inlet connection is 1/2" (12.7 mm) NPT.
 - Use caution to avoid crimping the 3/4" (19 mm) flex line when making bends. Suggested length of flex line is 48" (1219 mm); however, please check local codes for your area's requirements before installation.



3. Use pipe sealing compound or Teflon[®] tape on the pipe threads. **DO NOT** apply sealing compound or tape to flare fittings. Take care not to apply excessive pressure when tightening the fittings.

4. Leak testing of the appliance shall be in accordance with the following instructions:
 - Turn on gas and check supply line connections for leaks using a soap and water solution.
 - Bubbles forming indicate a gas leak. Repair all leaks immediately.

Electrical requirements and connection for GAS models

⚠ WARNING

Before installing, turn power OFF at the service panel. Lock service panel to prevent power from being turned ON accidentally. Always disconnect appliance from the electric supply either by disconnecting power cord or shutting off the breaker at the service panel before servicing the appliance.

⚠ WARNING

This product must be properly grounded.

⚠ WARNING

Electrical grounding instructions

This appliance is equipped with a three-prong grounding plug for your protection against shock hazard and should be plugged directly into a properly grounded receptacle. **DO NOT** cut or remove the grounding prong from this plug.

⚠ CAUTION

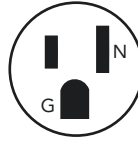
Improper grounding or reverse polarization will cause malfunction (such as continuous sparking of the burner igniters). This can damage the appliance and can create a condition of shock hazard. If the dedicated circuit is not correctly grounded and polarized, it is the responsibility and obligation of the installer and user to have the existing receptacle changed to a properly dedicated grounded and polarized receptacle. This must be accomplished in accordance with all applicable local codes and ordinances by a qualified electrician. In the absence of local codes and ordinances, the receptacle replacement shall be in accordance with the National Electric Code.

INSTALLER — show the owner the location of the circuit breaker. Mark it for easy reference.

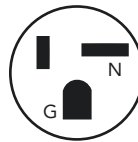
Gas unit electrical connection

Electrical supply circuit requirements

NEMA 5-15



NEMA 5-20

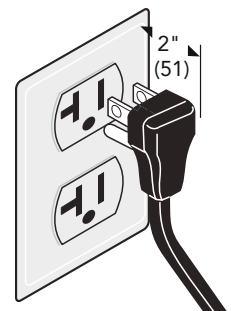


The cord supplied with the gas ranges having an electric griddle or grill requires a NEMA 5-20 receptacle. All other gas units require a NEMA 5-15 receptacle.

Model	Voltage	Dedicated circuit	Phase
Pxx305Wx	120 VAC	15 Amps	Single
Pxx366Wx	120 VAC	15 Amps	Single
Pxx364WDx	120 VAC	20 Amps	Single
Pxx364WLx	120 VAC	20 Amps	Single
Pxx486WDx	120 VAC	20 Amps	Single
Pxx486WLx	120 VAC	20 Amps	Single

- Before you plug in an electrical cord, be sure all controls are in the OFF position.
- A neutral supply wire must be provided from the power source (breaker) because critical range components, including the surface burner spark re-ignition modules, require it to operate safely and properly.
- All 120 volt models must be plugged into a mating 3-prong, grounding-type receptacle. The receptacle must be connected to a properly dedicated grounded and polarized electrical power supply rated at 120VAC, Single Phase, 60Hz.
- Observe all governing codes and ordinances when grounding. In the absence of these codes or ordinances observe National Electrical Code ANSI/NFPA No. 70 current issue, or the relevant Canadian Electric Code, CSA C22.1-02.
- Power cord and receptacle should protrude no more than 2" (51 mm) from the rear wall.

NOTE: Plug styles may vary.



Electrical requirements and connection for DUAL FUEL models

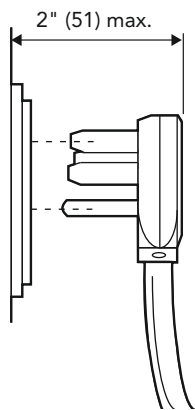
⚠ WARNING

An improper 240/208 VAC power supply will cause malfunction, damage to this appliance, and possibly create a condition of shock hazard.

⚠ WARNING

This product must be properly grounded.

- Before installing, turn power OFF at the service panel. Lock service panel to prevent power from being turned ON accidentally.
- Prior to servicing appliance, always disconnect appliance electrical supply cord, if so equipped, from wall receptacle. If appliance is hard-wired to power supply, disconnect power to unit by turning off the proper circuit breaker. Lock service panel to prevent power from being turned ON accidentally.
- A neutral supply wire must be provided from the power source (breaker) because critical range components, including the surface burner spark re-ignition module, require it to operate safely and properly.
- Mount the receptacle securely to a wall stud, then seal around the receptacle's housing.



When using a receptacle it may be necessary to recess the receptacle's housing into the rear wall. Refer to Local Electrical Code to determine the minimum volume for all electrical / junction boxes. Follow all local electrical codes and ordinances, and/or the National Electric Code, as applicable.

Volt	Circuit	Frequency	Phase
240/208 VAC	50 Amps	60 Hz.	Single

- If the correct power supply circuit is not provided, it is the responsibility and obligation of the installer and user to have proper power supply connected. This must be accomplished in accordance with all applicable local codes and ordinances by a qualified electrician. It is the responsibility of the installer to ensure compliance of local codes. In the absence of local codes and ordinances, the power supply connection shall be in accordance with the National Electric Code.
- Observe all governing codes and ordinances when grounding. In the absence of these codes or ordinances observe National Electrical Code ANSI/NFPA No. 70 current issue. See the following information in this section for grounding method.
- Electrical wiring diagrams and schematics have been placed in the kick panel area of the range for access by a qualified service technician.
- The ranges are to be connected to a 240/208 VAC power supply.
- Dual Fuel models must be connected to the power supply utilizing one of the following methods. For all methods of connection, the length of the cord or conduit/wiring must allow the unit to be slid completely out of the cabinet without having to unplug or disconnect the unit from the power supply.
- Recommended minimum free length of cord or conduit is 4ft (1.2 m). Electrical installations and grounding must be in accordance with all local codes and ordinances, and/or the National Electric Code, as applicable.

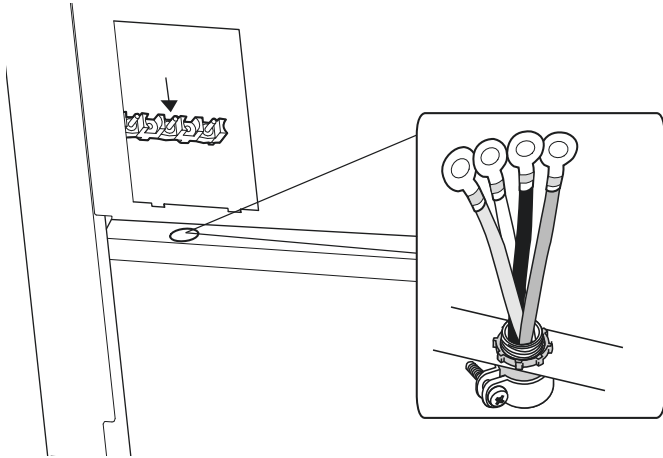
4-wire connection

This appliance must be connected to the power supply with a listed (UL, CSA, ...) 3-POLE, 4-CONDUCTOR cord kit rated 125/250 VOLTS, 50 AMPERES DEDICATED CIRCUIT, and marked for use with ranges. It is the responsibility of the installer to provide the proper wiring components (cord, wires, etc.) and complete the electrical connection as dictated by local codes and ordinances, and/or the National Electrical Code.

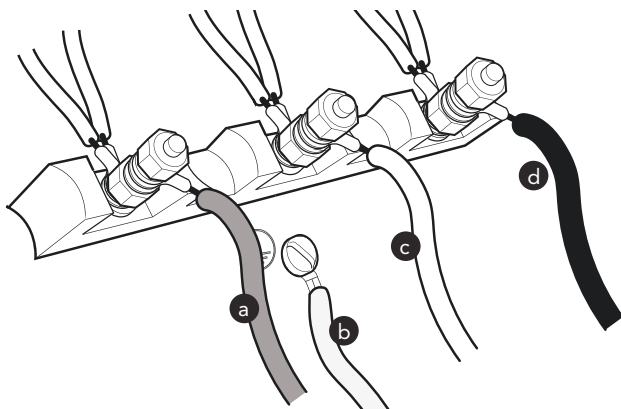
The cord kit is required to be attached to the range terminal block with a strain relief (not provided) which will fit a 1" (25.4 mm) diameter hole. If not already equipped, the cord must also have 1/4" (6 mm) faston closed-loop lugs attached to the free ends of the individual conductors, preferably soldered in place.

To wire a 4-wire connection

1. Locate the terminal block on the rear of the unit and remove cover.
2. Remove upper nuts only from the terminal block studs. **DO NOT** remove lower nuts which secure range internal wiring leads.
3. If applicable, remove the 4-wire power cord from the appliance.
4. Mount strain relief (not provided with range) into the 1" (25.4 mm) diameter hole in the back panel located below the terminal block. Route wires up through strain relief.



5. Remove green ground screw and serrated washer located beneath the terminal block.
6. Secure the neutral, grounded wire of the supply circuit, to the center stud of the terminal block with nut.
7. Secure the L1 (red) and L2 (black) power leads to the outside terminal studs (brass colored) with nuts.
8. Secure the bare copper ground lead to the range chassis using the ground screw and serrated washer. Be sure that neutral and ground terminals do not touch.



- a – Red/L1
b – Green/ground
c – White/neutral
d – Black/L2

9. Tighten all connections securely and
10. Reinstall the terminal block cover.

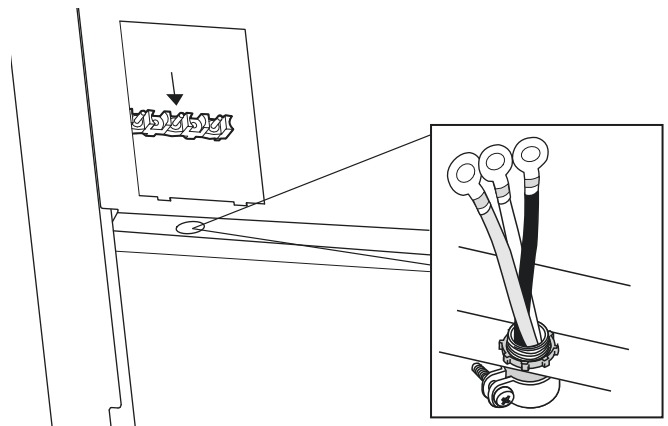
3-wire lead connection

Where local codes and ordinances permit grounding through neutral, and conversion of supply to 4-wire is impractical, the unit may be connected to the power supply with a Listed (UL, CSA, ...) 3-POLE, 3-CONDUCTOR cord kit rated 125/250 VOLTS, 50 AMPERES DEDICATED CIRCUIT, and marked for use with ranges. It is the responsibility of the installer to provide the proper wiring components (cord, wires, etc.) and complete the electrical connection as dictated by local codes and ordinances, and/or the National Electrical Code.

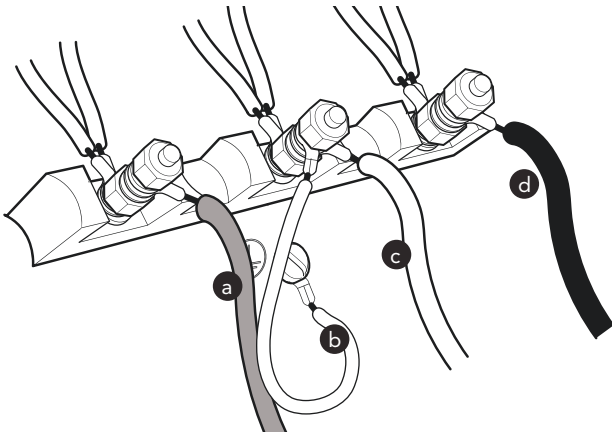
The cord kit must be attached to the range back panel with a strain relief which will fit a 1" (25.4 mm) diameter hole. If not already equipped, the cord must also have 1/4" (6 mm) faston closed-loop lugs attached to the free ends of the individual conductors, preferably soldered in place.

To wire a 3-wire connection

1. Locate the small bag with white jumper wire located in the literature packet.
2. Locate the terminal block on the rear of the unit and remove cover.
3. Remove upper nuts only from the terminal block studs. **DO NOT** remove nuts which secure range internal wiring leads.
4. If applicable, remove the 4-wire power cord from the appliance.
5. Mount strain relief (not provided with range) into the 1" (25.4 mm) diameter hole in the back panel located below the terminal block. Route wires up through strain relief.



- Secure the neutral, grounded wire of the supply circuit, to the center stud (silver colored) of the terminal block.
- Secure the L1 (red) and L2 (black) power leads to the outside corresponding terminal block studs (brass colored).
- Remove the green ground screw and serrated washer located beneath the terminal block. Screw one end of the included white jumper wire to the chassis beneath the terminal block with the green ground screw. Secure the other end of the wire to the center stud of the terminal block with nut.



- a – Red/L1
- b – Ground link wire provided in small bag.
- c – White/neutral
- d – Black/L2

- Tighten nuts securely.
- Reinstall the Terminal Block Cover.

Backguard installation

⚠ WARNING

Fingers or hands could get pinched when installing the backguard. Severe injury could result. Use extreme caution and wear thick protective gloves to avoid potential laceration to finger or hand while sliding the backguard down onto the range.

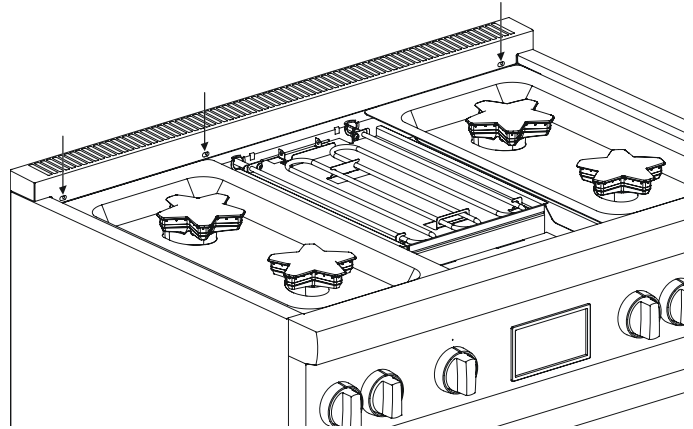
⚠ WARNING

To reduce the risk of fire or injury to persons, check to make sure all packaging has been removed from accessory devices before use.

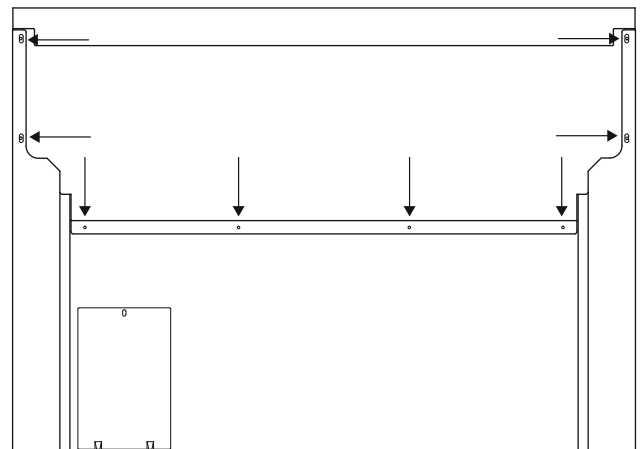
Installation methods will vary upon need. Before you begin read these instructions carefully. Observe all local codes and ordinances.

To install the low backguard

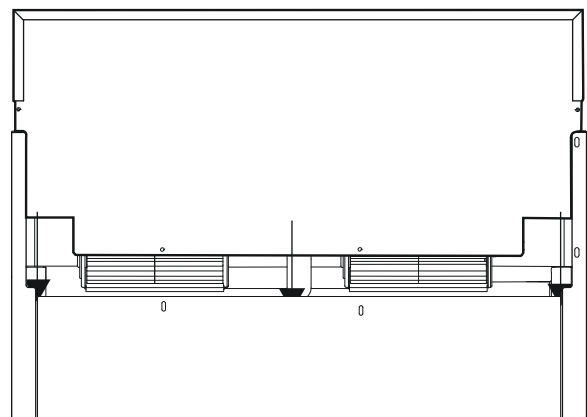
- Remove the T-20 torx screws in the front face of the included island trim.



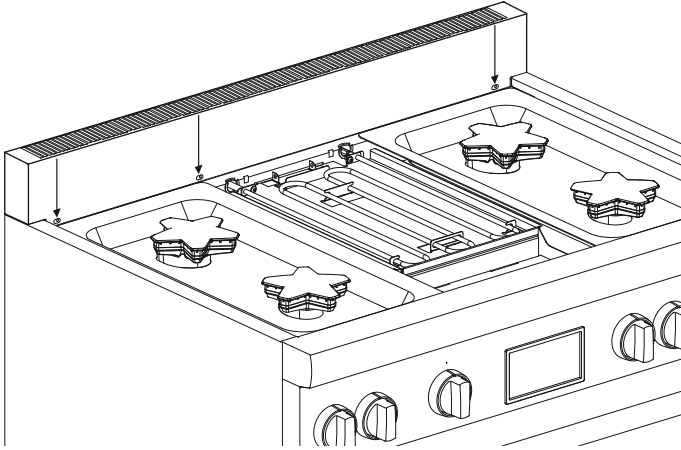
- Remove the T-20 torx screws securing the trim to the side panels, and the T-20 torx screws securing the piece to the back panel. Lift up to fully remove.



- Align the back panel of the new accessory with the flanges on the range side panel's right and left rear corners. The backguard is inserted inside the guide channels on the back of the range.



4. Make sure the backguard's front face is outside the flange on the front side of the range.



5. Re-install screws removed in Steps 1 and 2.

Door removal and adjustment

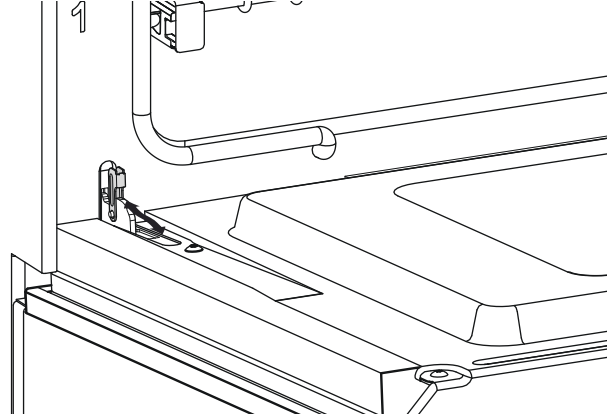
⚠ CAUTION

- **USE CAUTION WHEN REMOVING THE DOOR. THE DOOR IS VERY HEAVY.**
- Make sure oven is cool and power to the oven has been turned off before removing the door. Failure to do so could result in electrical shock or burns.
- The oven door is heavy and fragile. Use both hands to remove or replace the door.
- Failure to grasp the oven door firmly and properly could result in personal injury and product damage.
- With the door off, never release the levers and try to close the hinges. Without the weight of the door, the powerful springs will snap the hinges closed with great force.

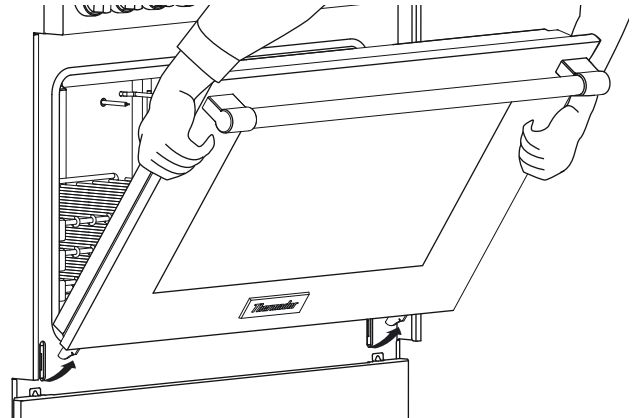
To remove the oven door

1. Be sure to read the above **CAUTION** before attempting to remove the door.
2. Open the door fully.

3. Flip the hinge clips for both sides of the door. A screwdriver may be required to carefully pry the clip.



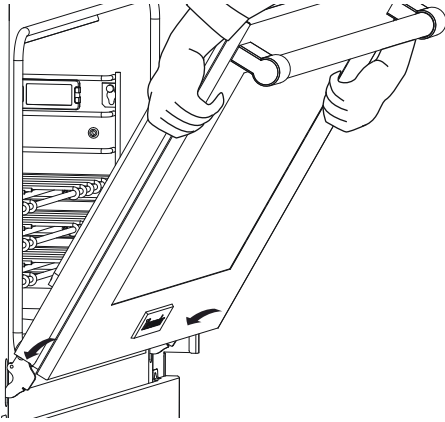
4. Close the door gently until it stops against the hinge clips. The open hinge clips will hold the door open at a slight angle, about 30°, from the closed position.
5. Grasp the door firmly on the ends of the door. Lift the door up and out. There will be some spring resistance to overcome.



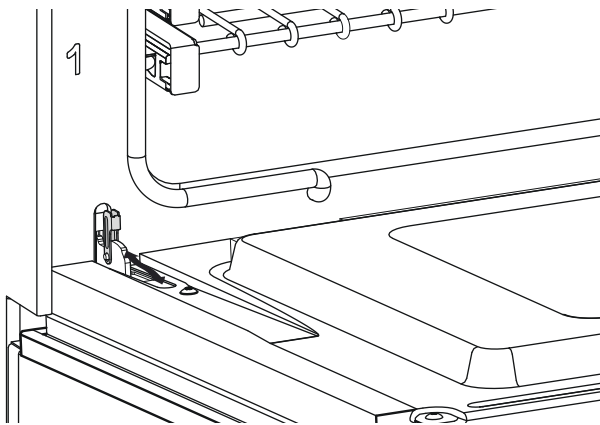
6. Place the door in a safe and stable location.

To reinstall the oven door

1. Hold the door firmly in both hands.
2. Hold the door at a 30° angle from the closed position. Insert hinges centered evenly into the hinge slots. The hinges will securely hook into the slots when properly installed. **DO NOT** force, bend or twist the door.



3. Open door fully to expose hinges, levers, and slots.
4. Flip the hinge until seated on the bracket. A screwdriver may be required to carefully push the clip.



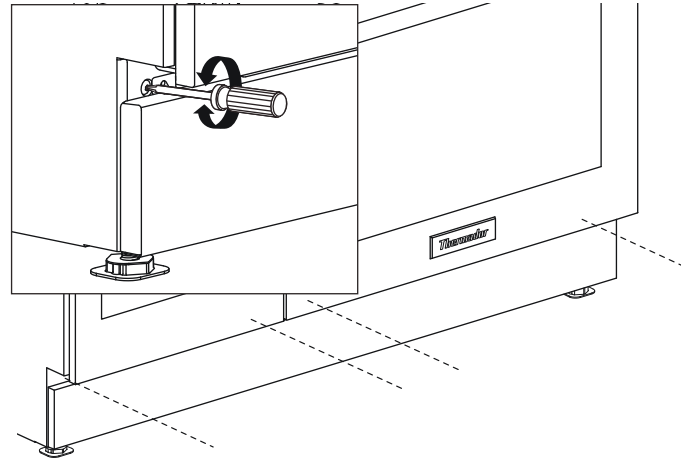
5. Close and open the door slowly to ensure it is correctly and securely in place.

To check door fit and adjustment

1. Open and close the door slowly to test the movement and the fit of the door to the oven cavity. **DO NOT** force the door to open or close. If the door is properly installed, it should move smoothly and rest straight on the front of the range when closed.
2. The range must be level for proper alignment of the oven doors, see "Placing and leveling the range".
3. Verify that the hinges are properly seated into the hinge slots, and that the hinge clips are fully engaged into the slots.

If door or handle appears slightly tilted

4. Rotate the large torx head screw located directly above the hinge receiver with a T-30 torx driver. Rotate each screw respective to its side and direction the door needs to be adjusted.



Placing and leveling the range

⚠ CAUTION

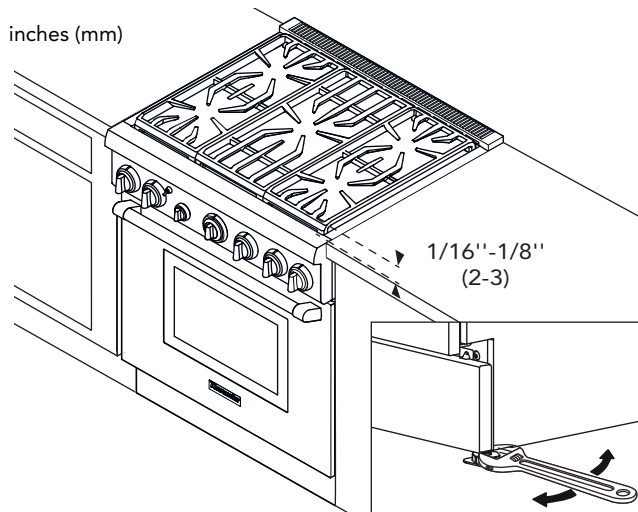
The top edges of the range's side panels must be on the same or higher level as the adjacent countertop. **DO NOT** operate range if sides are lower than the adjacent cabinet. If the range is operated while at a lower height relative to the adjacent cabinet, the cabinet could be exposed to excessive temperatures, causing damage to the cabinet and countertop.

Leveling leg adjustment

For proper performance, the range must be level. Priority should be placed on ensuring that the oven cavities are also level for optimum cooking performance.

1. Measure the countertop heights first with a tape measure and add an additional 1/16" - 1/8" (2-3 mm).
2. Rotate the legs using a 12" (305 mm) adjustable wrench on the flat sides of each foot.
 - Leveling legs should be adjusted so that the range sides are at the same or higher level as the adjacent cabinet. Adjust the legs accordingly prior to pushing the range back to its final location.

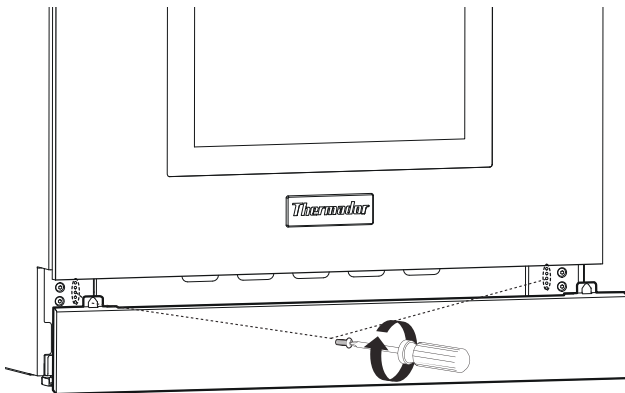
- It may be necessary to reposition the gas supply line and the electrical cord as the range is pushed back to its final position. This may be accomplished by carefully pulling on a rope or twine looped around the gas or electrical supply line as the range is pushed back into its final installed position.



- As the range is moved into its final, installed position, verify that the anti-tip bracket is in a position to engage the range.

Adjusting the kick panel

- Remove the kick panel screws using a T-20 torx screwdriver.
- Relocate kick panel at one of the five screw hole positions, as noted below. Reinstall torx screw.

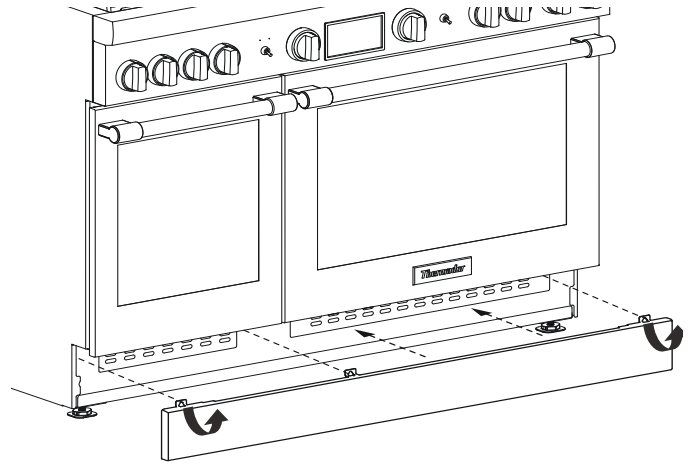


- Repeat with the remaining kick panel screws, assuring kick panel is level.
 - The range kick panel should maintain a minimum 1/2" (12.7 mm) clearance above the floor.

Data rating label

Data rating label

The data rating label shows the model and serial number of your appliance. The label can be accessed by first removing the kick panel, as shown below.



Electric wiring diagrams and schematics

The electric wiring diagrams and schematics are attached behind the toe kick, and should not be removed except by a service technician, then replaced after service.

Burner test

⚠ WARNING

To prevent flare-ups and avoid the creation of harmful by-products, do not use the cooktop without all burner caps and all burner grates properly positioned.

⚠ WARNING

To prevent burns, do not touch burner caps or grates while hot. Turn the cooktop off and allow the burners to cool.

Install any loose components, such as burner caps and grates that may have been removed earlier. Be certain that burner caps seat properly into the burner bases. Before testing operation of the appliance, verify that the unit and the gas supply have been carefully checked for leaks and that the unit has been connected to the electrical power supply. Turn the manual gas shut-off valve to the open position.

The burner caps must be properly placed on the burner bases for the cooktop to function properly. If the burner cap is not properly placed, one or more of the following problems may occur:

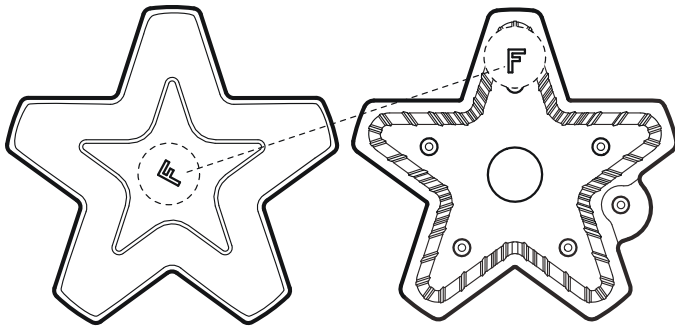
- Burner flames are too high.
- Flames shoot out of burners.
- Burners do not ignite.
- Burner flames light unevenly.
- Burner emits gas odor.

Burner cap placement

Each cap has a letter (B, D, or F) cast in the underside of the cap that corresponds to a letter (B, D, or F) cast in the burner base that is attached to the appliance.

To place the burner caps

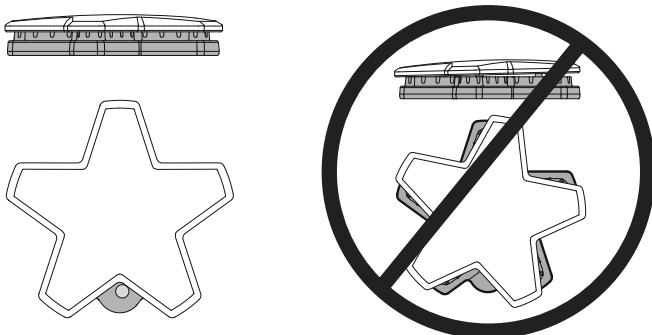
1. Place each burner cap on its correct burner base per its corresponding letter designation.



2. Place burner cap gently on top of base so that the prongs of the burner base fit snugly into the groove of the burner cap.

Checking the burner cap placement

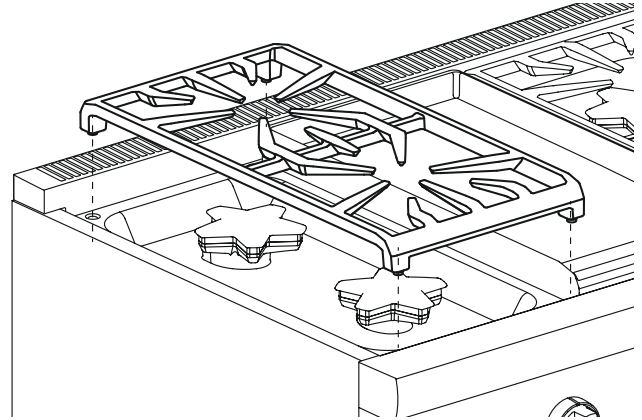
- Check each burner to make sure there is no gap between the burner cap and burner base.
- You may gently try to move the burner caps from side to side to check if the caps are properly placed on the burner bases.
- When properly placed, each burner cap will rest flat on top of its burner base, and completely cover the star-shape of the burner base when viewed from the top as shown below.



Burner grate placement

To install the burner grates

1. Place grates flat-side down and align into the rangetop recess.
2. Grates should rest flush against each other and against the sides of the recess.



Test rangetop burners

See figures below for appropriate flame characteristics. If any of the rangetop burners continue to burn mostly or completely yellow, verify that the burner cap is positioned properly on the burner base, then re-test. If flame characteristics do not improve, call Thermador service.

To test burner ignition

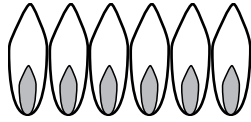
1. Select a rangetop burner knob. Push in and turn the knob to HI.
 - The igniter will produce a clicking sound. Once the air has been purged from the supply lines, the burner should light within four seconds.
2. Turn burner to LO. Verify that the flame completely surrounds the burner.
 - There should be a flame at each burner port and there should be no air gap between the flame and the burner. If any burners do not carry over, call Thermador service.

3. Repeat the ignition and flame test for each rangetop burner.

Flame characteristics

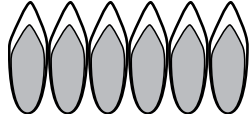
Yellow flames:

Further Adjustment is required.



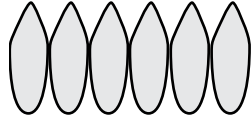
Yellow tips on outer cones:

Normal for LP Gas



Soft blue flames:

Normal for Natural Gas



If the flame is completely or mostly yellow, verify that the regulator is set for the correct fuel. After adjustment, retest.

Some orange-colored streaking is normal during the initial start-up.

Allow unit to operate 4-5 minutes and re-evaluate before making adjustments.

The burners that feature XLO[®], cause the flame to cycle on and off when the knob is set to the XLO function. This is normal operation.

When flame is properly adjusted:

- There should be a flame at each burner port.
- There should be no air gap between the flame and burner port.

Call Thermador service if:

- Any of the burners do not light.
- Any of the burners continue to burn yellow.

Installer checklist

Final check

Specified clearances maintained to cabinet surfaces.

Unit level – front to back – side to side.

Burner caps positioned properly on burner bases.

All packaging material removed.

Kick panel in place and screws secure.

Verify flame at each burner. Flame may need to burn for several minutes to remove impurities from the gas lines.

Verify that the ExtraLow[®] feature works and relights around the entire burner.

INSTALLER: Leave the Home Connect™ instruction leaflet with the owner of the appliance. In order to utilize the full feature potential of the appliance, the owner should download the Home Connect™ app on their smart device and pair the appliance to the home's Wi-Fi device. (Does not apply to 30" Range models.)

Gas supply

Gas Connection: 3/4" (19 mm) N.P.T. with a min. 3/4" (19 mm) diameter flex line.

The appliance is connected only to the type of gas for which it is certified for use.

Manual gas shut off valve installed in an accessible location (without requiring removal of range). Owner is aware of location of the gas shut-off valve.

Unit tested and free of gas leaks.

If used on propane gas, verify that the propane gas supply is equipped with its own high pressure regulator in addition to the pressure regulator supplied with the appliance.

Gas supply pressure does not exceed 14" W.C. (34.9 mb).

Electrical

Receptacle with correct over-current protection is provided for service cord connection.

Proper ground connection.

Owner is aware of location of the main circuit breaker.

Operation

Bezels centered on burner knobs, and knobs turn freely.

Each burner lights satisfactorily, both individually and with other burners operating.

Oven door hinges seated and hinge locks in proper position. Oven handle and door is level and centered. Door opens and closes properly.

Burner grates correctly positioned, level, and do not rock.

INSTALLER: Write the model number and serial number in the Use and Care Guide. Leave the Use and Care Guide and Installation Manual with the owner of the appliance.

Clean and protect exterior surfaces

- Always wipe in the direction of the stainless steel grain.
- To condition and protect stainless steel, use the Thermador Stainless Steel Conditioner, which can be purchased in the Thermador eShop (thermador.com/customer-care).
- **DO NOT** allow deposits to remain for long periods of time.
- **DO NOT** use ordinary steel wool or steel brushes. Small bits of steel may adhere to the surface causing rust.
- **DO NOT** allow salt solutions, disinfectants, bleaches or cleaning compounds to remain in contact with stainless steel for extended periods. Many of these compounds contain chemicals which could prove harmful. Rinse with water after exposure and wipe dry with a clean cloth.
- Refer to the Use and Care Guide for additional information.

Troubleshooting

See the Use and Care Guide for troubleshooting information.

Table des MATIÈRES

Sécurité	27
Instructions importants de sécurité.....	27
Consignes d'installation.....	30
Renseignements de planification	30
Exigences en matière de ventilation	30
Espaces libres pour l'Installation	31
Alimentation de gaz et électrique.....	37
Déballage et manutention de la cuisinière	38
Installation du dispositif antibascule (requis)	39
Exigences de l'alimentation du gaz et raccordement.....	40
Exigences électrique et branchement pour les unité au gaz.....	41
Cuisinières mixtes exigences électriques et connexions	42
Installation du dossier.....	44
Retrait et installation de la porte	45
Mise en place et nivelage de la cuisinière	47
Plaque signalétique.....	48
Test des brûleurs.....	48
Liste de vérification à l'intention de l'installateur.....	50
Liste de vérification	50
Soutien, pièces, et accessoires	page verso

Définitions de SÉCURITÉ

▲ AVERTISSEMENT

Ceci indique que le non respect de cet avertissement peut entraîner des blessures graves, voire la mort.

▲ ATTENTION

Ceci indique que le non respect de cet avertissement peut entraîner des blessures légères ou modérées.

NOTICE : Ceci indique que la non-conformité à cet avis de sécurité peut entraîner des dégâts à l'appareil ou à la propriété.

Note : Ceci vous avertit que d'importantes informations et/ou conseils sont fournis.

Cet appareil électroménager de THERMADOR™

est fait par BSH Home Appliances Ltd

6696 Financial Drive, Unit 3

Mississauga, ON L5N 7J6

Des questions?

1-800-735-4328

www.thermador.ca

Nous attendons de vos nouvelles!

⚠ INSTRUCTIONS IMPORTANTS DE SÉCURITÉ

LIRE TOUTES LES INSTRUCTIONS AVANT DE PROCÉDER

Veillez lire attentivement

Installateur : Laisser ces instructions avec l'appareil pour le propriétaire.

Propriétaire : Conserver ces instructions à des fins de références. Avant d'utiliser votre appareil, assurez-vous de lire ce manuel.

AVERTISSEMENT



L'information fournie dans le présent manuel doit être très rigoureusement respectée, sous peine d'incendie ou d'explosion entraînant des dommages, des blessures ou la mort.

- Ne stockez pas et n'utilisez pas d'essence ou autres ou la compagnie distributrice de gaz.
- **SI VOUS SENTEZ UNE ODEUR DE GAZ :**
 - N'allumez aucun appareil.
 - Ne touchez pas aux interrupteurs électriques.
 - N'utilisez pas les téléphones du bâtiment.
 - Appelez immédiatement votre compagnie de gaz de chez un voisin. Suivez les instructions de la compagnie.
 - Si vous n'arrivez pas à contacter la compagnie de gaz, appelez les pompiers.
- L'installation et les réparations doivent être réalisées par un installateur qualifié, un centre de réparation agréé ou la compagnie de gaz.

AVERTISSEMENT



RISQUE D'ÉLECTROCUTION

- Coupez l'électricité avant d'installer l'appareil. Avant de remettre (ON) l'électricité, assurez-vous que toutes les commandes sont à la position OFF.
- N'enlevez pas de connexion.
- N'utilisez pas une rallonge électrique.
- La mise à la terre inadéquate de l'appareil peut entraîner un risque de décharge électrique.
- Le non-respect des présentes instructions peut entraîner la mort, causer un incendie ou provoquer une décharge électrique.

Les réglementations locales varient. L'installation, le branchement au gaz et la mise à la terre doivent être conformes à toutes les réglementations en vigueur. Le non-respect des codes et règlements locaux appropriés peut annuler la garantie.

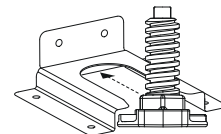
Installation dans une maison préfabriquée (mobile) : L'installation doit être conforme au Manufactured Home Construction and Safety Standard, Titre 24 CFR, Partie 3280 (anciennement le Federal Standard for Mobile Home Construction and Safety, Titre 24, HUD/Partie 280) ou, lorsque cette norme n'est pas applicable, au Standard for Manufactured Home Installations, ANSI/NCSBCS A225.1, ou aux codes locaux, là où il y a lieu.

AVERTISSEMENT



DANGER DE BASCULEMENT :

- Toutes les cuisinières peuvent basculer et causer une blessure. Pour éviter le basculement accidentel de la cuisinière, fixez-la au sol au moyen du dispositif anti-basculé fourni.
- L'appareil risque de basculer si le dispositif n'est pas installé conformément aux présentes instructions. Pour toutes les cuisinières, un dispositif anti-basculé doit être installé conformément aux présentes instructions.
- Un enfant ou un adulte pourrait faire basculer l'appareil et perdre la vie.
- Ne faites pas fonctionner l'appareil si le support anti-basculé n'est pas installé et qu'il ne retient pas l'appareil. La non-observation de ces instructions peut entraîner la mort ou causer de graves brûlures à des enfants ou des adultes.
- En déplaçant la cuisinière pour la nettoyer, la réparer ou pour toute autre raison, assurez-vous qu'elle s'est bien enclenchée dans le dispositif anti-basculé lorsque vous la remettez en place. Autrement, si l'appareil est utilisé de façon anormale (par exemple, si quelqu'un monte, s'assoie ou s'appuie sur une porte ouverte), la cuisinière risque de basculer. Le basculement de la cuisinière ou d'un liquide chaud se trouvant sur la surface de cuisson pourrait causer des blessures corporelles.



⚠ INSTRUCTIONS IMPORTANTES DE SÉCURITÉ

LIRE TOUTES LES INSTRUCTIONS AVANT DE PROCÉDER

L'installation de ces dispositifs conçus pour micro-maisons préfabriquées doit se faire conformément aux réglementations nationales ou autres ou, à défaut, à la norme en matière de micro-maisons préfabriquées ANSI A119.5.

Examinez l'appareil après l'avoir déballé. S'il a été endommagé durant le transport, ne le branchez pas.

Enlevez tout le matériel d'emballage et le ruban adhésif avant d'utiliser l'appareil. Jetez l'emballage selon les consignes de tri sélectif. Ne laissez jamais des enfants jouer avec le matériel d'emballage.

Cet appareil doit être mis à la terre. La mise à la terre réduit les risques de décharge électrique en fournissant au courant électrique un fil d'échappement lors d'un court-circuit.

L'appareil doit être mis à la terre en conformité aux codes locaux, ou en l'absence de tels codes, à la dernière version du National Electric Code NFPA 70 ou, au Canada, au code canadien de l'électricité CSA C22.1-02.

Ne rangez pas cet appareil à l'extérieur.

Pour les installations au Massachusetts :

1. L'installation doit être réalisée par un entrepreneur qualifié ou agréé, un plombier ou un installateur de gaz qualifié ou autorisé par l'État ou la région dans laquelle cet appareil est installé.
2. Le robinet d'arrêt de gaz doit être pourvu d'une poignée en « T ».
3. La longueur maximum autorisée du tuyau de gaz est de 91,4 centimètres (36").

Vérifiez le type d'alimentation en gaz fourni sur le lieu d'installation. L'appareil doit être raccordé au type de gaz pour lequel il est certifié. Tous les modèles sont certifiés pour une utilisation avec gaz naturel. Conversion sur place pour utilisation au gaz propane exigeant le nécessaire de conversion.

Ne pas conserver ou utiliser de l'essence ou d'autres liquides ou vapeurs inflammables à proximité de cet appareil ou de tout autre appareil.

L'appareil peut être utilisé en toute sécurité en cas de panne de courant. Seuls les brûleurs normaux du haut peuvent être allumés manuellement.

Gaz naturel — 7 po (17,4 mb) min. à 14 po (34,9 mb) max. de colonne d'eau

Gaz propane — 11 po (27,4 mb) min. à 14 po (34,9 mb) max. de colonne d'eau

L'appareil électroménager est livré de l'usine prêt à utiliser avec du gaz naturel. Pour une utilisation avec du gaz propane (pétrole liquéfié : PL), utilisez la trousse de conversion vendue séparément. Un centre de réparation autorisé doit procéder à la conversion au PL. Voir la couverture arrière pour des renseignements sur les réparations, les pièces et les accessoires.

ATTENTION

Lorsque vous branchez l'appareil au gaz propane, assurez-vous que le réservoir de gaz propane est muni de son propre mécanisme régulateur à haute pression en plus du régulateur à haute pression fourni avec l'appareil. La pression de gaz maximale de cet appareil ne devrait pas excéder 14,0 pouces (34,9 mb) de colonne d'eau entre le réservoir de propane et le régulateur à haute pression.

Cet appareil est conforme à une ou à plusieurs des normes suivantes :

- UL 858 – norme visant la sécurité en matière de cuisinières électriques domestiques
- ANSI Z21.1 – norme américaine régissant les appareils électroménagers de cuisson au gaz
- CAN/CSA-C22.2 No 61-08 – cuisinières domestiques
- CAN/CGA1.1-M81 régissant les cuisinières à gaz domestiques

Il est de la responsabilité du propriétaire et de l'installateur de déterminer les exigences ou les normes supplémentaires pouvant s'appliquer à des installations particulières.

Vérifiez code de la construction locale en vigueur pour connaître la bonne méthode d'installation de l'appareil. L'installation, le branchement électrique et la mise à la terre doivent respecter toutes les réglementations en vigueur. Les réglementations locales varient et il est de la responsabilité de l'installateur de s'assurer de la conformité de l'installation avec ces réglementations. S'il n'y a pas de réglementations locales, l'appareil doit être installé conformément au code national américain actuel sur les gaz combustibles ANSI Z223.1/ NFPA 54 et au code national américain actuel de l'électricité ANSI/NFPA No 70.

⚠ INSTRUCTIONS IMPORTANTS DE SÉCURITÉ

LIRE TOUTES LES INSTRUCTIONS AVANT DE PROCÉDER

Avertissement issu de la proposition 65 :

Ce produit pourrait contenir un produit chimique reconnu par l'État de la Californie comme cancérigène ou ayant des effets nocifs sur la reproduction. Par conséquent, l'emballage de votre produit pourrait porter l'étiquette suivante, comme requis par la Californie :

AVERTISSEMENT ISSU DE LA PROPOSITION 65 DE L'ÉTAT DE LA CALIFORNIE :

⚠ AVERTISSEMENT

Cancér et dommages à la reproduction –
www.P65Warnings.ca.gov.

ARRIÈRE EXIGENCES DE DÉGAGEMENT :

- Pour éviter de tacher le mur arrière, on recommande des matériaux de construction non-poreux, résistants à haute température qui conviennent à un environnement propre à la cuisson.
- Le modèle PCG305xx, PRG305xx, PRG304xx, PRD305xx, PRD304, et PRD606xx convient pour un dégagement arrière de 0 " pour alimenter les surfaces.
- Tous les autres modèles:
 - Lors de l'utilisation de la garniture pour l'îlot comprise, le fabricant recommande un dégagement arrière d'au moins 152 mm (6 po) d'une surface combustible*.
 - Lors de l'installation de l'appareil contre une surface combustible, il faut un dossier bas pour un manque de dégagement (0 po). Il faudrait acheter séparément un dossier bas Thermador.
 - Quand une surface est couverte d'une matière non combustible (métal, céramique, brique, marbre ou pierre)^Δ, il n'y a aucun besoin de dégagement (zéro pouce).

*Un dégagement de moins de 152 mm (6 po) doit être conforme aux codes locaux et/ou par les autorités locales ayant juridiction.

Δ Les dégagements pour matériaux non-combustibles ne sont pas abordés dans la norme ANSI Z21.1 ni certifiés par la CSA.

AVERTISSEMENT

Pour éviter tout risque de brûlure ou d'incendie, un dossier de protection conçu spécialement pour cette cuisinière doit être installé avant son utilisation.

AVERTISSEMENT

Afin d'éliminer les risques de brûlures ou d'incendie provoqués par la chaleur, il est conseillé d'éviter d'installer des armoires au-dessus des appareils.

ATTENTION

Cet appareil est conçu pour une utilisation culinaire. Pour des raisons de sécurité, ne l'utilisez jamais pour chauffer une pièce.

AVERTISSEMENT

Ne Jamais Faire Fonctionner La Surface De La Table De Cuisson De Cet Appareil Sans Surveillance.

- **Le non-respect de cet avertissement pourrait entraîner un risque d'incendie, d'explosion ou de brûlure qui pourrait provoquer des dommages matériels, des blessures ou un décès.**
- **En cas d'incendie, se tenir à l'écart de l'appareil et appeler immédiatement les pompiers. NE PAS ESSAYER D'ÉTEINDRE UN INCENDIE DE GRAISSE OU D'HUILE AVEC DE L'EAU.**

Consignes d'installation

Renseignements de planification

▲ ATTENTION

Pour prévenir d'éventuels dommages aux armoires ou aux finis des armoires, utilisez uniquement des matériaux et des finis qui ne se décolorent pas ni se décollent en couches multiples. Les matériaux doivent être en mesure de supporter des températures pouvant atteindre 90 °C (194 °F). Utilisez des matières adhésives résistantes à la chaleur et à l'humidité si l'appareil est installé dans des armoires stratifiées. Consultez le fabricant pour savoir si les matières utilisées sont conformes à ces exigences.

Lisez toutes les instructions avant d'utiliser l'appareil. Faites tout particulièrement attention aux consignes de sécurité importantes dans la rubrique « Sécurité ».

Outils Requis

- Clé polygonale ou à cliquet de 7/16" po
- Mèche de 4,76 mm
- Perceuse à main ou électrique
- Mèche de 3,17 mm
- Clé ajustable de 305 mm
- Tournevis Torx T-20
- Tournevis Torx T-30
- Ruban à mesurer
- Plate-forme à roulettes
- Tournevis Phillips
- Niveau
- Instrument de marquage
- Gants de protection
- Lunettes de protection

Articles Non Inclus

- Composé/ruban pour tuyau
- Corde/ficelle
- 2 – adaptateurs pour bride
- Vis d'ancrage pour cloison sèche et béton
- Tuyau souple de 19 mm

IMPORTANT : Il est possible que le mur arrière se décolore lors de l'utilisation de certains modes de cuisson.

Exigences en matière de ventilation

▲ AVERTISSEMENT

Vous ne devriez pas installer cet appareil avec un système de ventilation à aspiration descendante. Ce type de système de ventilation peut présenter des risques d'incendie et des problèmes de combustion et ainsi entraîner des blessures corporelles, des dommages matériels ou un fonctionnement involontaire. Aucune restriction ne s'applique aux systèmes de ventilation à aspiration ascendante.

Consultez le "Guide de planification de ventilation" pour connaître les combinaisons de ventilation approuvées.

Il est fortement recommandé d'installer une hotte de ventilation Thermador au-dessus de la cuisinière. Une ventilation par aspiration descendante ne devrait pas être utilisée.

Vous ne devriez pas utiliser un système de ventilation par aspiration descendante. Le "Guide de planification de ventilation", indique les différentes hottes en option ainsi que des directives relatives à la capacité recommandée des ventilateurs à utiliser avec l'une ou l'autre des cuisinières Thermador.

L'installation d'un micro-ondes à hotte intégrée au-dessus toute table de cuisson n'est pas recommandée en raison de la chaleur émises par les brûleurs sauf s'il s'agit d'une cuisinière de 76,2 cm (30 po) dotée de 5 brûleurs. Pour connaître les dégagements nécessaires, consulter le manuel d'installation du fabricant de micro-ondes à hotte intégrée.

Les hottes et les ventilateurs sont conçus pour être utilisés avec un seul conduit mural. Cependant, certains inspecteurs ou codes du bâtiment exigent l'utilisation d'un conduit double. Consultez le code de la construction en vigueur ou des organismes locaux avant d'entreprendre les travaux pour vous assurer que l'installation de la hotte et des conduits répond aux exigences locales.

AVIS : La plupart des hottes contiennent des matériaux combustibles qui doivent être pris en considération lors de la planification de l'installation.

Préparation de la ventilation

Préparation pour la ventilation

1. Choix des modèles de hotte et de ventilateur :
 - Pour les installations murales, la largeur de la hotte doit être au moins égale à celle de la cuisinière. Si l'espace le permet, il est souhaitable d'installer une hotte plus large que la table de cuisson pour assurer une meilleure ventilation.
 - Pour les installations en îlot, la largeur de la hotte devrait excéder celle de la cuisinière d'au moins 3 po (76 mm) de chaque côté.
2. Emplacement de la hotte :
 - Pour une évacuation accrue de la fumée, la bordure inférieure de la hotte doit se trouver à 30 po (762 mm) au-dessus de la table de cuisson.
 - Utilisez un espace libre d'au moins 36 po (914 mm) si des éléments combustibles, comme des panneaux en bois, se trouvent dans la hotte.
3. Air d'appoint :
 - Un important volume d'air étant nécessaire pour la ventilation, il est recommandé de prévoir un apport d'air de l'extérieur. Cet aspect revêt une importance particulière dans les logements bien isolés et très étanches.
 - Il est conseillé de consulter un entrepreneur en chauffage et en climatisation.

Espaces libres pour l'installation

Exigences concernant les armoires

La cuisinière est un appareil monobloc. Si l'appareil est installé entre deux armoires, les espaces libres indiqués dans cette section sont obligatoires. Les mêmes dégagements s'appliquent aux installations sur îlot, sauf pour les armoires au-dessus qui doivent comporter un espace assez grand pour recevoir une hotte d'îlot.

- Consultez le "Guide de planification de ventilation" pour connaître les combinaisons de ventilation approuvées. L'installation d'un micro-ondes à hotte intégrée au-dessus toute table de cuisson n'est pas recommandée en raison de la chaleur émise par les brûleurs sauf s'il s'agit d'une cuisinière de 76,2 cm (30 po) dotée de 5 brûleurs. Pour connaître les dégagements nécessaires, consulter le manuel d'installation du fabricant de micro-ondes à hotte intégrée.

- Lorsque la cuisinière est installée contre un mur combustible, un espace libre d'au moins 5 po (127 mm) est requis entre le côté de la cuisinière et le mur.
- La profondeur maximale des armoires, installées d'un côté ou de l'autre au-dessus de la hotte, devrait être de 13 po (330 mm).
- Laissez un dégagement latéral minimum de 5 po (127 mm) entre l'appareil et les surfaces verticales inflammables au-dessus de la hauteur du plan de travail de 36 po (914 mm).
- Dans ces limites de dégagement latéral minimum de 5 po (127 mm) des surfaces verticales inflammables au-dessus du plan de travail de 36 po (914 mm), la profondeur maximale de l'armoire doit être de 13 po (330 mm). Les entrées d'électricité et de gaz doivent se trouver dans les zones indiquées "Alimentation de Gaz et Électrique".
- Un espace libre minimal de 36 po (914 mm) est nécessaire entre la surface de cuisson et le dessous de toute armoire non protégée. Un espace libre de 30 po (762 mm) peut être utilisé lorsque la partie inférieure d'une armoire en bois ou en métal est protégée par un matériau ignifuge d'une épaisseur minimale de ¼ po (6,35 mm) revêtu d'une feuille d'acier no 28 MSG, d'acier inoxydable de 0,015 po (0,38 mm), d'aluminium de 0,024 po (0,61 mm) ou de cuivre de 0,020 po (0,51 mm).
- La zone ombrée derrière la table de cuisson indique la possibilité d'une décoloration de la paroi arrière sous certaines conditions.
- Pour assurer une bonne ventilation de la cuisinière n'enlevez PAS les pattes de la cuisinière.
- La hauteur de la cuisinière est réglable. Le dessus de la cuisinière doit être au même niveau que le comptoir ou à une hauteur plus élevée.
- N'obstruez pas le débit d'air de combustion et de ventilation de l'appareil.
- Toute ouverture dans le mur derrière l'appareil ou dans le plancher sous l'appareil doit être scellée.

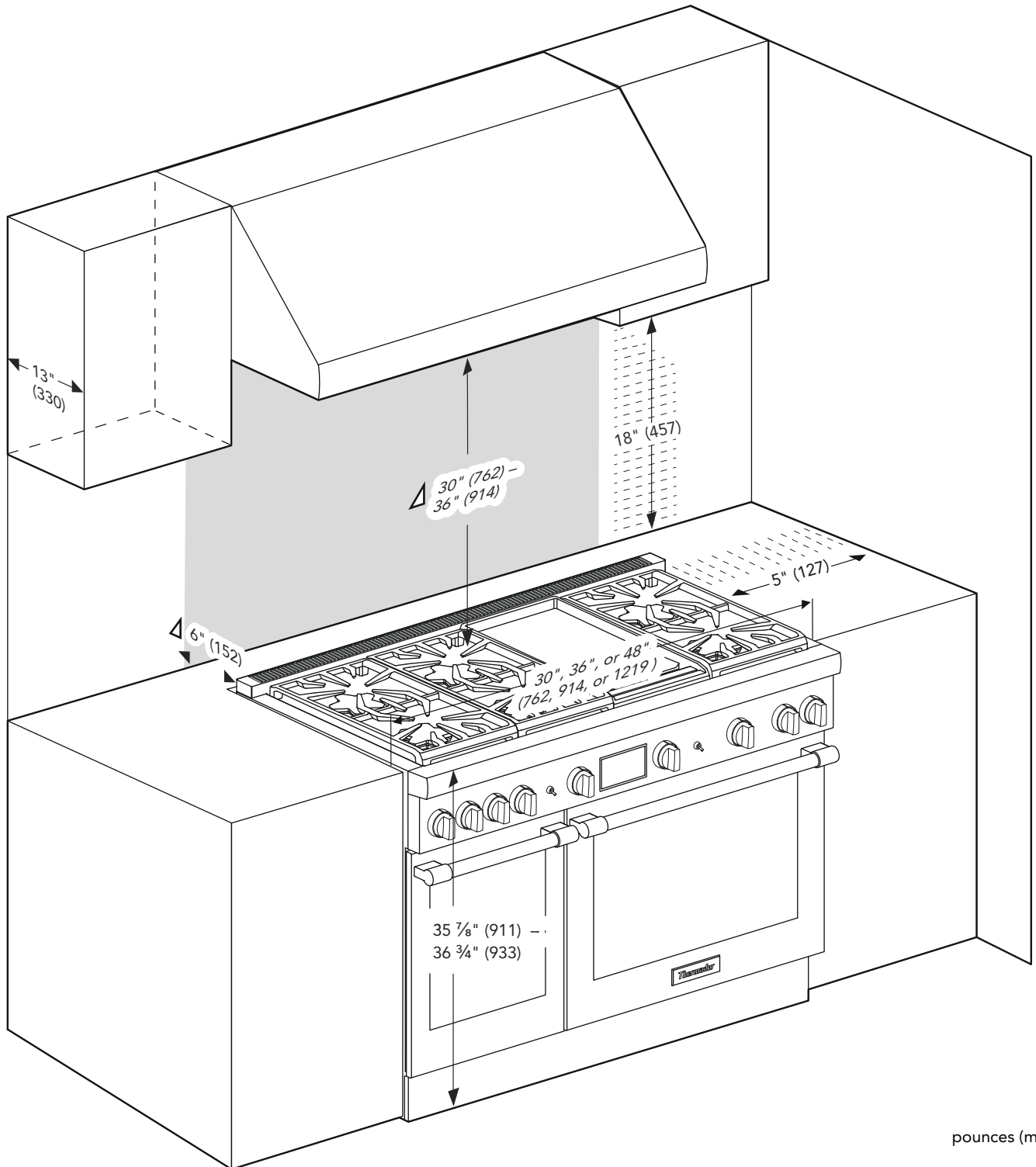
Arrière exigences de dégagement :

- Pour éviter de tacher le mur arrière, on recommande des matériaux de construction non-poreux, résistants à haute température qui conviennent à un environnement propre à la cuisson.
- Le modèle PCG305xx, PRG305xx, PRG304xx, PRD305xx, PRD304, et PRD606xx convient pour un dégagement arrière de 0 " pour alimenter les surfaces.
- Tous les autres modèles:
 - Lors de l'utilisation de la garniture pour l'îlot comprise, le fabricant recommande un dégagement arrière d'au moins 152 mm (6 po) d'une surface combustible*.
 - Lors de l'installation de l'appareil contre une surface combustible, il faut un dossier bas pour un manque de dégagement (0 po). Il faudrait acheter séparément un dossier bas Thermador.
 - Quand une surface est couverte d'une matière non combustible (métal, céramique, brique, marbre ou pierre)^{*Δ}, il n'y a aucun besoin de dégagement (zéro pouce).

*Un dégagement de moins de 152 mm (6 po) doit être conforme aux codes locaux et/ou par les autorités locales ayant juridiction.

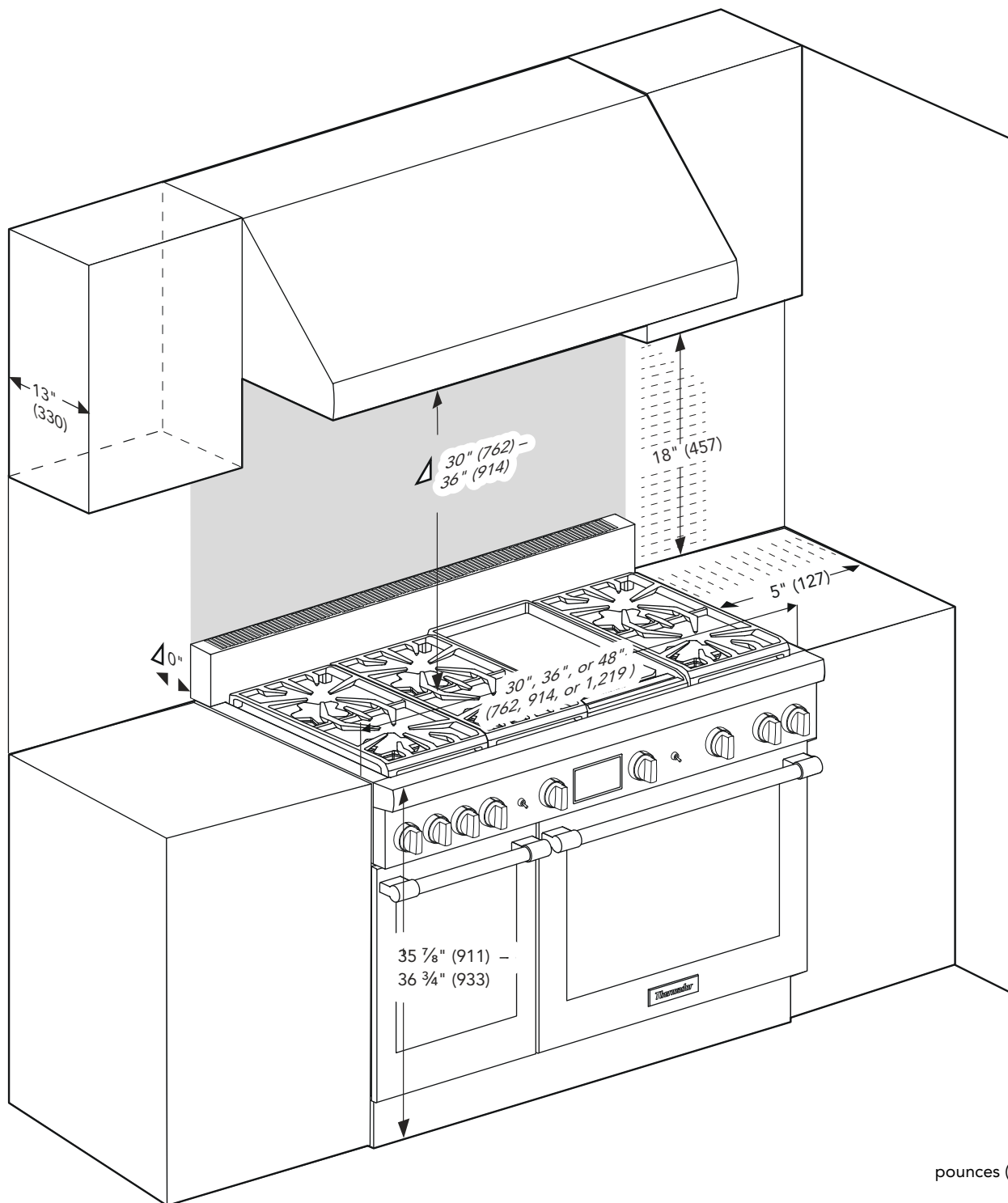
Δ Les dégagements pour matériaux non-combustibles ne sont pas abordés dans la norme ANSI Z21.1 ni certifiés par la CSA.

Espace libre – armoires avec garniture d'îlot incluse



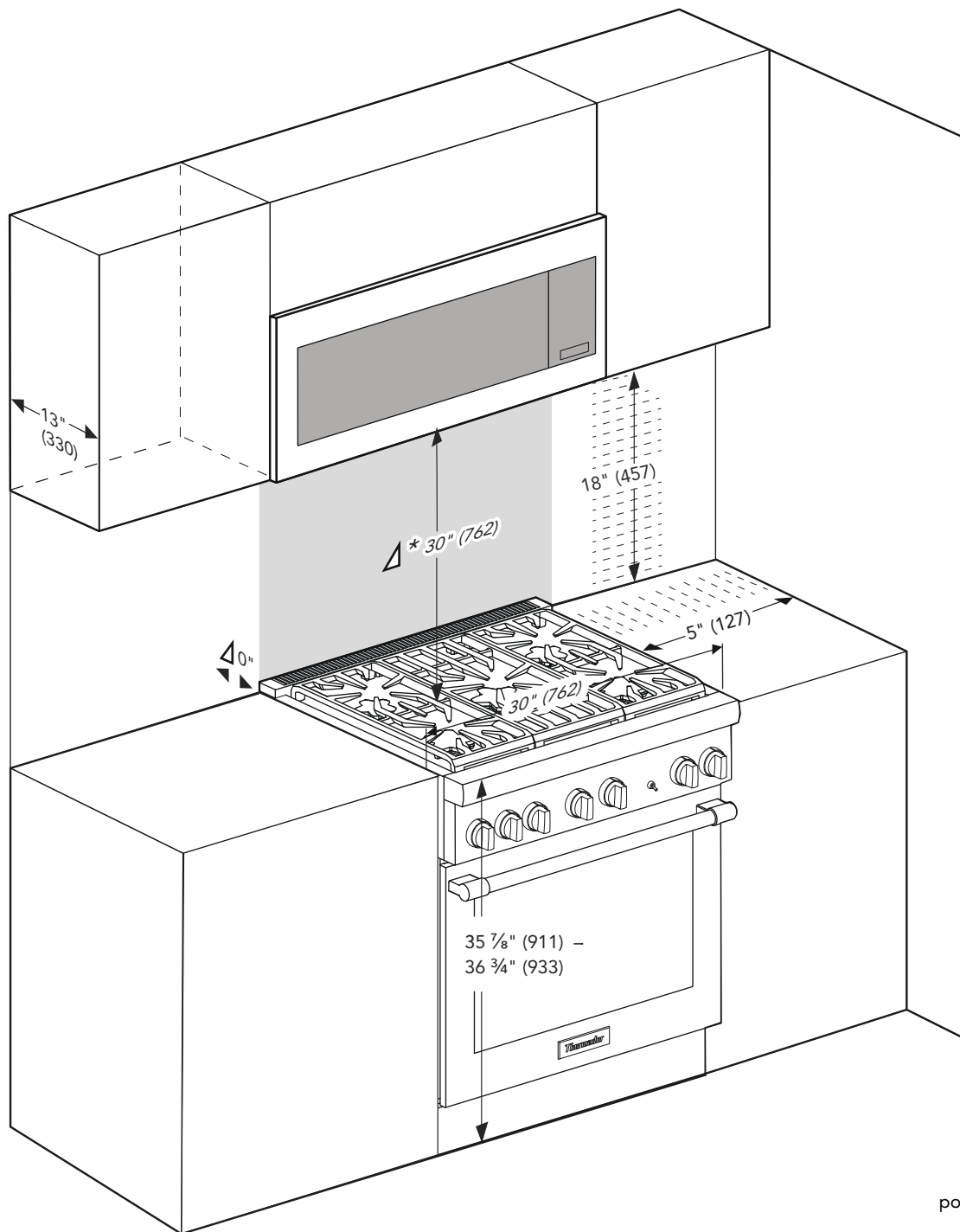
Δ Les dégagements pour matériaux non-combustibles ne sont pas abordés dans la norme ANSI Z21.1 ni certifiés par la CSA. *Un dégagement de moins de 152 mm (6 po) doit être conforme aux codes locaux et/ou par les autorités locales ayant juridiction.

Espace libre – armoires avec dossieret bas
(acheter séparément)



Δ Les dégagements pour matériaux non-combustibles ne sont pas abordés dans la norme ANSI Z21.1 ni certifiés par la CSA. *Un dégagement de moins de 152 mm (6 po) doit être conforme aux codes locaux et/ou par les autorités locales ayant juridiction.

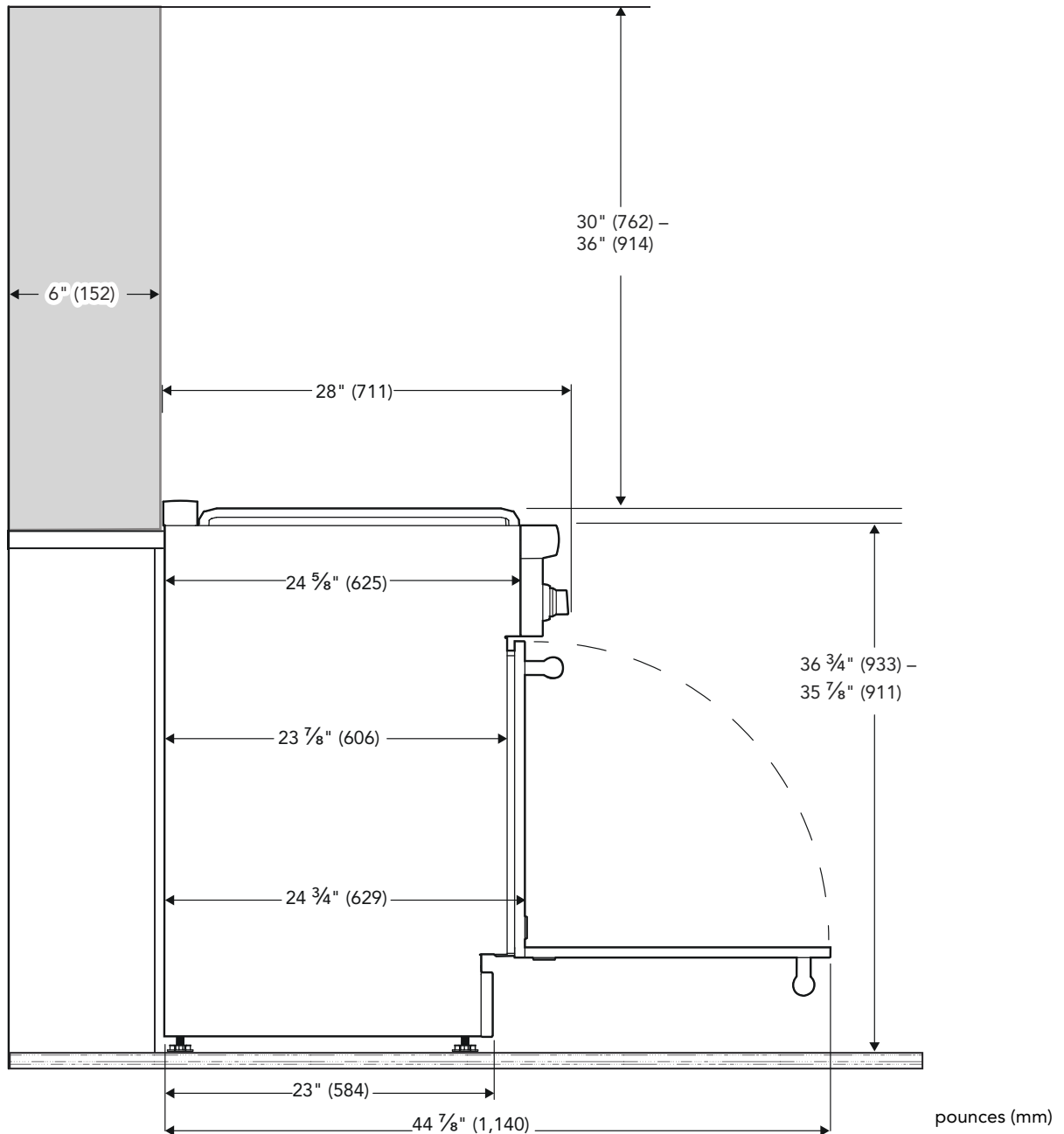
Espaces libres des armoires avec four à micro-ondes installé au-dessus de la cuisinière (seulement 305)



Δ Les dégagements pour matériaux non-combustibles ne sont pas abordés dans la norme ANSI Z21.1 ni certifiés par la CSA. *Un dégagement de moins de 152 mm (6 po) doit être conforme aux codes locaux et/ou par les autorités locales ayant juridiction.

- 30 po (762) min. entre le dessous de la hotte et la surface de cuisson.
- * Reportez-vous au manuel d'installation du fabricant du four à micro-ondes pour connaître les espaces libres requis.

Espaces libres latéraux requis pour l'installation

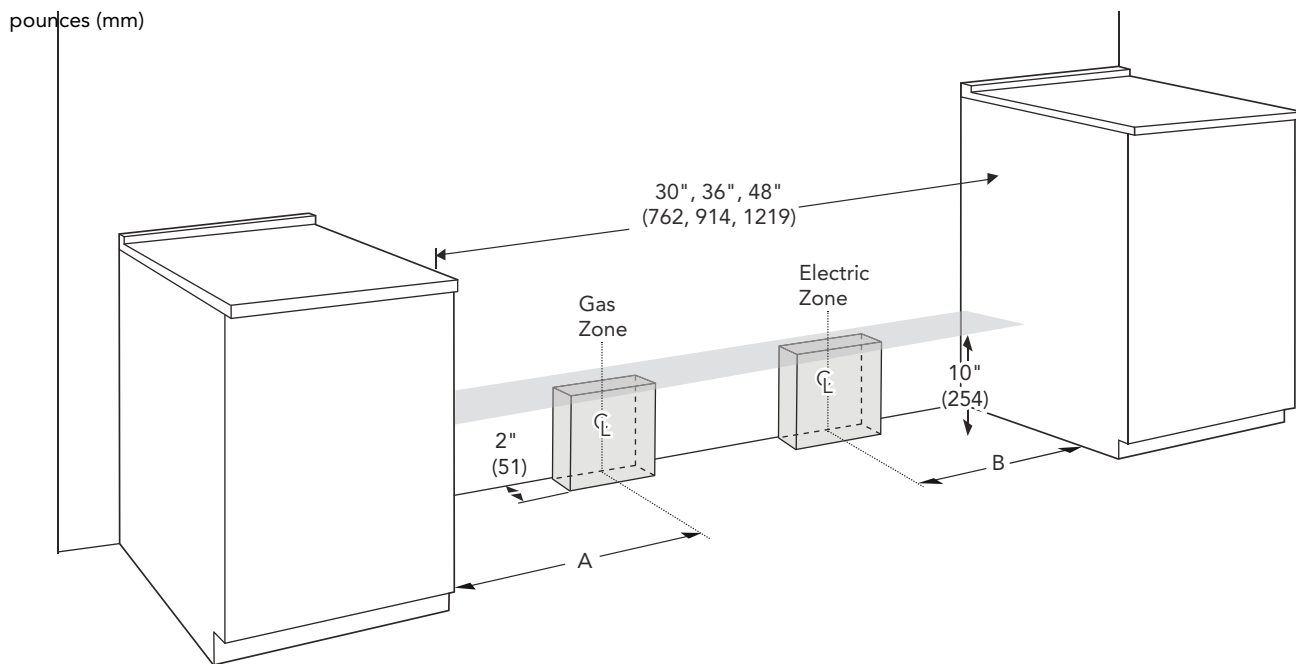


- Il faudrait acheter séparément un dossier bas Thermador.
- Pour les installations avec garniture d'îlot, une saillie entre le comptoir et la section arrière de la garniture est requise.
- Si une paroi intérieure est utilisée sous la saillie, il devrait y avoir un espace de 1/8 po (3 mm) entre l'arrière de la cuisinière et la paroi intérieure.
- Il y a un jeu total de 44-7/8" (1140 mm).
- L'aire ombragée derrière la cuisinière indique l'espace libre minimal jusqu'aux surfaces combustibles; les matières combustibles ne peuvent se situer à l'intérieur de cette aire.
- La profondeur d'encastrement maximale est de 23-7/8" (606 mm).

Alimentation de gaz et électrique

Exigences de gaz et d'électricité

- **IMPORTANT** : S'il n'y en a pas déjà une en place, installez une vanne manuelle d'arrêt de gaz à un endroit facile d'accès. Assurez-vous d'indiquer à tous les utilisateurs où se trouve l'approvisionnement en gaz de la cuisinière et de leur montrer comment la fermer.
- Une ligne de production métallique souple ou un tuyau métallique fixe doit être utilisé pour raccorder le gaz à l'appareil. Si une conduite de gaz en métal ne peut pas être utilisée, veuillez vous adresser à un électricien agréé local ou aux codes électriques locaux pour obtenir une mise à la terre appropriée.
- Toute ouverture dans le mur derrière l'appareil ou dans le plancher sous l'appareil doit être scellée.
- La cuisinière doit être raccordée uniquement au type de gaz pour lequel elle est certifiée. Si la cuisinière doit être approvisionnée en gaz propane, assurez-vous que le réservoir de propane est muni de son propre mécanisme régulateur à haute pression en plus du régulateur à haute pression de l'appareil.
- Les entrées d'électricité et de gaz doivent se trouver dans les zones indiquées.
- Un robinet manuel d'arrêt de gaz doit être installé à l'extérieur de l'appareil, à un endroit accessible par le devant, pour pouvoir couper l'alimentation en gaz. Le tuyau d'arrivée de gaz ne doit pas dépasser à l'arrière de l'appareil. Assurez-vous que le robinet d'arrêt est fermé avant de raccorder l'appareil.
- La cuisinière est fournie avec un régulateur de pression non amovible qui a été monté à l'intérieur de manière permanente.
- Pour une installation niveau encastrée dans le mur arrière, la conduite d'alimentation en gaz et le cordon électrique ne doivent pas dépasser 254 mm (10 ") au-dessus du sol.
- Lorsque le cordon d'alimentation est branché sur une prise, le connecteur ne doit pas dépasser de plus de 2 po (51 mm) du mur arrière.



Modèle	A	B
30" (762 mm)	4 ½" (114 mm)	4 ½" (114 mm)
36" (914 mm)	6 – 7/16" (163 mm)	6 – 7/16" (163 mm)
48" (1219 mm)	4 ½" (114 mm)	4 ½" (114 mm)

Déballage et manutention de la cuisinière

⚠ ATTENTION



La cuisinière est lourde et devrait être manipulée en conséquence.

Ne pas lever l'appareil par le panneau de commande.



Pour éviter tout risque de blessure ou de dommages à l'appareil ou au plancher, la cuisinière devrait être déplacée par au moins deux personnes utilisant de l'équipement adéquat, comme des gants de protection, et ne portant pas des bagues, des montres ou tout autre objet semblable pouvant endommager l'appareil ou s'y accrocher.



Les surfaces cachées de l'appareil peuvent comporter des saillies coupantes. Faites attention lorsque vous prenez l'appareil par le dessous ou que vous le tirez.

N'utilisez pas un chariot manuel ou à électroménager à l'avant ou à l'arrière de l'appareil. Manipulez-le seulement sur les côtés.

Déballage de la cuisinière

NOTE :

- Installez l'appareil avant de retirer la pellicule protectrice.
- Ne pas lever l'appareil par le panneau de commande.

Pour déballer l'appareil

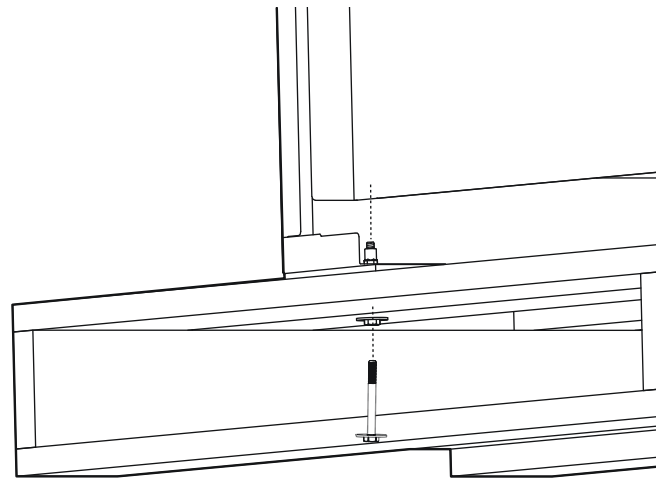
1. Retirez le carton et le matériel d'emballage de l'appareil sur la palette.
2. Laissez la mousse avec adhésif sur les surfaces en métal brossé pour protéger le fini contre les égratignures jusqu'à ce que l'appareil soit installé à sa position finale.
3. Pour faciliter la manutention, il est recommandé de retirer les grilles de surface, la plaque chauffante, les chapeaux des brûleurs et les grilles du four.
4. Si désiré, vous pouvez également enlever les portes du four (consultez «Retrait et installation de la porte»).

Déplacement de la cuisinière

En raison du poids de la cuisinière, il convient d'utiliser une plate-forme à roulettes souples pour la déplacer. Le poids doit être uniformément réparti sur la plate-forme.

Retrait des boulons de la palette

1. Pour retirer les quatre (4) boulons de la palette situés dans la partie inférieure à l'avant et à l'arrière, utilisez une clé anglaise ou à cliquet d'un 7/16 po.



2. Soulevez la cuisinière et retirez-la de la palette. Demandez de l'aide au besoin pour la retirer de la palette.
3. Avec un chariot (diable), déplacez la cuisinière près de l'endroit où vous comptez l'installer. Ne transportez pas la cuisinière en appuyant la partie avant sur le diable.
4. Vous pouvez appuyer la cuisinière sur les pattes arrière au moment de retirer le diable en toute sécurité. **VOUS DEVRIEZ PROTÉGER LE PLANCHER SOUS LES PATTES ARRIÈRE AVANT DE POUSSER L'APPAREIL À SON LIEU D'INSTALLATION.**

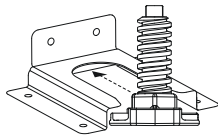
Installation du dispositif anti-bascule (requis)

⚠ AVERTISSEMENT



DANGER DE BASCULEMENT :

- Toutes les cuisinières peuvent basculer et causer une blessure. Pour éviter le basculement accidentel de la cuisinière, fixez-la au sol au moyen du dispositif anti-bascule fourni.
- L'appareil risque de basculer si le dispositif n'est pas installé conformément aux présentes instructions. Pour toutes les cuisinières, un dispositif anti-bascule doit être installé conformément aux présentes instructions.
- Un enfant ou un adulte pourrait faire basculer l'appareil et perdre la vie.
- Ne faites pas fonctionner l'appareil si le support anti-bascule n'est pas installé et qu'il ne retient pas l'appareil. La non-observation de ces instructions peut entraîner la mort ou causer de graves brûlures à des enfants ou des adultes.
- En déplaçant la cuisinière pour la nettoyer, la réparer ou pour toute autre raison, assurez-vous qu'elle s'est bien enclenchée dans le dispositif anti-bascule lorsque vous la remettez en place. Autrement, si l'appareil est utilisé de façon anormale (par exemple, si quelqu'un monte, s'assoie ou s'appuie sur une porte ouverte), la cuisinière risque de basculer. Le basculement de la cuisinière ou d'un liquide chaud se trouvant sur la surface de cuisson pourrait causer des blessures corporelles.



⚠ AVERTISSEMENT

RISQUE DE DÉCHARGE ÉLECTRIQUE :

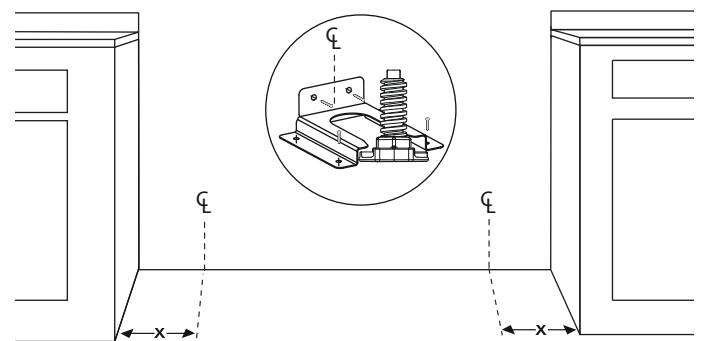
- Soyez très prudent lorsque vous percez des trous dans le mur ou le plancher, car des fils électriques peuvent s'y trouver.
- Identifiez les circuits électriques pouvant se trouver à l'endroit où le dispositif anti-bascule sera installé et coupez l'alimentation électrique de ces circuits.
- Si vous ne respectez pas ces instructions, vous pourriez recevoir une décharge électrique ou vous blesser.

IMPORTANT :

- La quincaillerie fournie sert à l'installation avec des montants de bois d'épaisseur standard. Les installateurs sont responsables de fournir la quincaillerie pour les autres types d'installation.
- Communiquez avec un installateur ou un entrepreneur qualifié pour déterminer la méthode convenable à adopter pour percer des trous dans le revêtement des murs ou du plancher (comme des tuiles de céramique, du bois dur, etc.)
- Le support anti-bascule peut être fixé à une surface de bois dur pourvu que l'épaisseur minimale du mur soit de 3/4 po (19 mm).
- Selon l'épaisseur du mur ou du plancher, il peut être nécessaire d'utiliser des vis plus longues, disponibles chez votre quincaillier.
- Dans tous les cas, au moins deux des vis de montage du support doivent être fixées à la surface de bois dur.
- Utilisez des ancrages appropriés pour monter la patte anti-bascule sur un matériau autre que le bois dur ou le métal.
- Si l'appareil est installé à un nouvel endroit, le dispositif anti-bascule doit y être réinstallé.

Montage de la patte antibascule

1. Localisez le support anti-basculement dans le paquet de la documentation, à l'intérieur de la boîte qui était sur le dessus de l'appareil.
2. Placez la patte sur l'emplacement comme indiqué à la figure. La patte peut être utilisée dans un des coins de l'installation.
3. Pour les murs, les montants de cloison ou les planchers en bois massif ou en métal, percez des trous de guidage de 1/8 po (3,17 mm).
4. Fixez-la au sol et au montant du mur à l'aide des quatre (4) vis cruciformes de 1,5 po (38 mm) fournies.



Modèle	Distance du 'X'
30"	1-3/4" (45 mm)
36"	2-3/16" (56 mm)
48"	1-3/4" (45 mm)

Lorsque la cuisinière est installée, le pied réglable se glissera sous la patte.

Exigences de l'alimentation du gaz et raccordement

⚠ ATTENTION

L'appareil doit être isolé du système de tuyauterie d'alimentation à gaz. Pour ce faire, fermez la soupape d'arrêt manuelle individuelle pendant le test de pression du système de canalisation d'alimentation en gaz (tests de pression égale ou inférieure à 1/2 psig, 3,5 kPa).

⚠ AVERTISSEMENT

N'utilisez pas de flamme pour vérifier les fuites de gaz.

⚠ ATTENTION

Lorsque vous branchez l'appareil au gaz propane, assurez-vous que le réservoir de gaz propane est muni de son propre mécanisme régulateur à haute pression en plus du régulateur à haute pression fourni avec l'appareil. La pression de gaz maximale de cet appareil ne devrait pas excéder 14,0 pouces (34,9 mb) de colonne d'eau entre le réservoir de propane et le régulateur à haute pression.

Vérifiez le type de gaz utilisé à l'endroit où la cuisinière est installée. Assurez-vous que la cuisinière correspond au type de gaz disponible dans la région.

Le branchement à l'arrivée de gaz doit être effectué par un technicien compétent conformément à la réglementation locale. S'il n'y a pas de codes locaux, l'installation doit être conforme à la norme en vigueur américaine du gaz combustible ANSI Z223.1/NFPA54, dernière édition, ou à la norme canadienne.

Haute altitude

Cet appareil est testé pour un fonctionnement sécuritaire à des altitudes de 10,100 ft (3 078 m) au-dessus du niveau de la mer.

Une trousse de haute altitude est requise pour le gaz naturel au-dessus de 5,400 pieds (1,646 m) d'altitude au-dessus du niveau de la mer et pour le propane (LP) au-dessus de 10,000 pieds (3048 m) d'altitude au-dessus du niveau de la mer.

Si vous le souhaitez, pour les altitudes supérieures à 2,000 pieds (610 m) au-dessus du niveau de la mer, des ajustements peuvent être apportés aux brûleurs de la cuisinière à l'aide d'une trousse d'ajustement. Si la flamme réagit de manière satisfaisante, aucun ajustement n'est requis.

Lors de l'installation, il est obligatoire de faire appel à un professionnel certifié pour procéder aux réglages d'utilisation à altitude élevée.

Voir la couverture arrière pour des renseignements sur les réparations, les pièces et les accessoires

Exigences pour le gaz naturel

- **Raccord d'entrée :** 1/2" NPT interne (tuyau flexible 19,1 mm (3/4") diamètre min.)
- **Pression d'alimentation :** 14,9 mb (7") min. à 34,9 mb (14") max. C.E.
- **Pression du collecteur :** 12,5 mb (5") C.E.

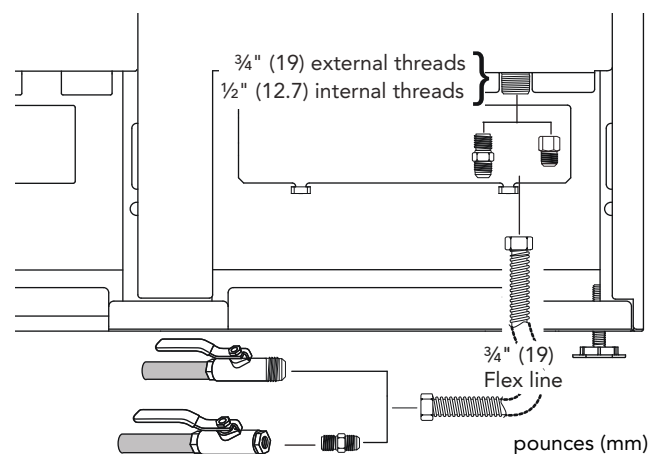
Exigences pour le gaz propane

- **Raccord d'entrée :** 1/2" NPT interne (tuyau flexible 19,1 mm (3/4") diamètre min.)
- **Pression d'alimentation :** 27,4 mb (11") min. à 34,9 mb (14") max. C.E.
- **Pression du collecteur :** 24,9 mb (10") C.E.

Gaz raccordement

Pour connecter le gaz

1. S'assurer que le robinet d'arrêt du gaz est à la position éteinte.
2. Utilisez un raccord à gaz souple de 3/4 po. entre l'alimentation en gaz et le tuyau d'arrivée de gaz de l'appareil. Le tuyau d'arrivée de gaz de toutes les cuisinières est situé en bas à droite. Le tuyau d'arrivée de gaz de l'appareil est de type NPT 1/2 po.
 - Prenez garde aux pincements du tuyau flexible de 19,1 mm (3/4 po) dans les coudes. La longueur suggérée est de 48 po. Vérifiez les codes locaux concernant ces exigences.



3. Utilisez du mastic de jointement pour tuyaux ou du ruban Teflon sur le filetage des tuyaux. N'appliquez pas du mastic de jointement ou du ruban pour élargir les raccords. Prenez garde de ne pas appliquer trop de pression lorsque vous serrez les raccords.
4. Les tests de fuite de l'appareil doivent toujours être réalisés conformément aux instructions du fabricant.
 - Ouvrez le gaz et assurez-vous qu'il n'y a pas de fuites à l'aide d'une solution savonneuse. N'utilisez pas de flamme pour faire cette vérification.
 - Des bulles indiquent la présence d'une fuite. Réparer toute fuite immédiatement après l'avoir repérée.

Exigences électrique et branchement pour les unité au gaz

⚠ AVERTISSEMENT

Avant l'installation, mettre l'alimentation HORS CIRCUIT au panneau de service, le verrouiller pour empêcher la mise en circuit accidentelle. Toujours débrancher l'appareil de l'alimentation électrique soit en débranchant le cordon d'alimentation ou en fermant le disjoncteur avant d'effectuer le service de l'appareil.

⚠ AVERTISSEMENT

Cet appareil électroménager doit être mis à la terre.

⚠ ATTENTION

Une mise à la terre inadéquate ou une polarisation inversée peut causer un mauvais fonctionnement (tels qu'une production continue d'étincelle au niveau des allumeurs des brûleurs) pouvant endommager l'appareil et comporter un risque de décharge électrique. Si le dédié circuit n'est pas correctement mis à la terre et polarisé, l'installateur ou l'utilisateur est tenu de faire appel à un électricien compétent pour qu'il installe une prise dûment mise à la terre et polarisée, conforme à toutes les réglementations locales applicables. À défaut de réglementation locale, le changement de prise doit être effectué conformément au Code national de l'électricité.

⚠ AVERTISSEMENT

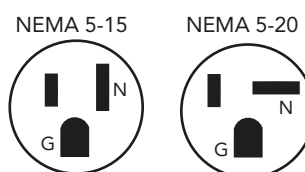
INSTRUCTIONS DE MISE À LA TERRE

L'électroménager est doté d'une fiche à trois broches mise à la terre pour vous protéger contre le danger d'électrocution. La fiche doit être utilisée dans une prise correctement mise à la terre. Ne pas enlever ni couper la broche de mise à la terre de la fiche.

INSTALLATEUR – indiquer au propriétaire l'emplacement du coupe-circuit ou du fusible. Le noter à des de références.

Gaz modèles branchement électrique

Exigences électriques exigences du circuit



Le cordon d'alimentation fourni avec les cuisinières au gaz dotées d'une grille ou d'une plaque électrique exige une prise NEMA 5-20. Tous les autres appareils au gaz utilisent une prise NEMA 5-15.

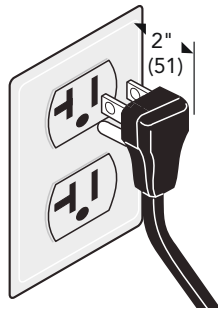
Modèle	Tension	Circuit dédié	Phase
Pxx305Wx	120 VAC	15 Amps	Single
Pxx366Wx	120 VAC	15 Amps	Single
Pxx364WDx	120 VAC	20 Amps	Single
Pxx364WLx	120 VAC	20 Amps	Single
Pxx486WDx	120 VAC	20 Amps	Single
Pxx486WLx	120 VAC	20 Amps	Single

- Avant de débrancher le cordon électrique, s'assurer que tous les contrôles sont en position ARRÊT (OFF).
- Un fil d'alimentation neutre doit être installé à partir de la source d'électricité (disjoncteur/panneau de fusibles) car certains composants de la cuisinière, dont le module de production d'étincelle pour les brûleurs de la table de cuisson, fonctionnent de manière sûre et adéquate.
- Tous les modèles de surface de cuisson de 120 volts doivent être branchés sur une prise à 3 trous mise à la terre. Cette prise sera reliée à un dédié circuit d'alimentation électrique correctement mis à la terre et polarisé, de 120 VCA, monophasé, 60 Hz.

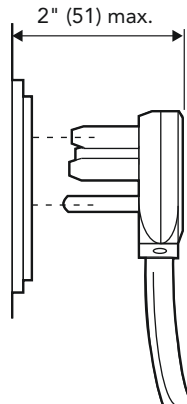
- Respectez toutes les réglementations locales applicables lors de la mise à la terre. À défaut, le Code national de l'électricité ANSI/ NFPA no 70 – Édition actuelle sera appliqué, ou au code canadien de l'électricité CAS C22.1-02 pertinent.

- Lorsque le cordon n'alimentation est branché sur une prise, la connecteur ne doivent pas dépasser de plus de 2 po (51 mm) du mur arrière.

NOTE : Le type de prise peut varier.



- Fixez solidement la prise de courant à un montant de cloison puis scellez autour du boîtier de la prise.



L'appareil électroménager est livré de l'usine prêt à utiliser avec du gaz naturel. Pour une utilisation avec du gaz propane (pétrole liquéfié : PL), utilisez la trousse de conversion vendue séparément. Un centre de réparation autorisé doit procéder à la conversion au PL. Voir la couverture arrière pour des renseignements sur les réparations, les pièces et les accessoires.

Cuisinières mixtes exigences électriques et connexions

⚠ AVERTISSEMENT

Une mauvaise alimentation électrique de 240/208 VAC entraînera des dysfonctionnements, endommagera la cuisinière et pourrait présenter des risques d'électrocution.

⚠ AVERTISSEMENT

Cet appareil électroménager doit être mis à la terre.

- Avant l'installation, couper l'alimentation au panneau de service. Verrouiller le panneau de service pour empêcher que l'alimentation ne soit rétablie par accident.
- Avant d'effectuer l'entretien de l'appareil, débranchez toujours le cordon électrique de la prise, s'il y a lieu. Si l'appareil est branché de façon fixe, débranchez l'alimentation de l'appareil en fermant le coupe-circuit ou en enlevant le fusible approprié.
- Un fil d'alimentation neutre doit être installé à partir de la source d'électricité (disjoncteur/panneau de fusibles) car certains composants de la cuisinière, dont le module de production d'étincelle pour les brûleurs de la table de cuisson, fonctionnent de manière sûre et adéquate.

Tension	Cote de circuit	Fréquence	Phase
240/208 VAC	50 Amps	60 Hz.	Single

- Si le circuit électrique n'est pas adéquat, il est de la responsabilité et de l'obligation de l'installateur et de l'utilisateur de s'assurer qu'une installation correcte et conforme à la réglementation locale en vigueur est réalisée par un électricien qualifié. Il est également de la responsabilité de l'installateur de s'assurer que les codes locaux sont respectés. S'il n'y a pas de réglementation locale, le branchement électrique doit être conforme au code national de l'électricité.
- La mise à la terre doit être conforme à tous les règlements en vigueur. Sinon, la norme américaine d'électricité ANSI/NFPA No 70 actuelle doit être appliquée. Consultez les renseignements apparaissant dans la présente section pour connaître la méthode de mise à la terre à utiliser.
- Les schémas de câblage électrique à l'intention d'un technicien qualifié se trouvent derrière la garniture de porte de l'appareil.
- Les cuisinières doivent être branchées à une alimentation électrique de 240/208 VAC.
- Les cuisinières mixtes doivent être branchées à l'alimentation électrique en ayant recours à l'une des méthodes suivantes. Pour toutes les méthodes de connexion, la longueur du cordon ou du câblage et du conduit de câbles doit permettre le retrait total de l'appareil hors de l'armoire sans qu'il soit nécessaire de le débrancher.
- La longueur minimale recommandée pour le cordon ou le conduit est de quatre pieds. Les installations électriques et la mise à la terre doivent être conformes à tous les règlements et codes locaux, ou au code national d'électricité, s'il y a lieu.

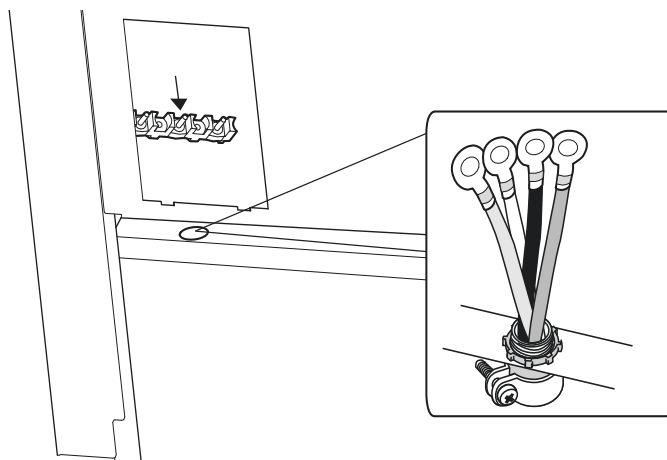
Connexion à quatre fils

Cet appareil prêt-à-installer est fabriqué avec un cordon d'alimentation à quatre fils et une prise. Si le cordon d'alimentation est endommagé ou doit être remplacé, utilisez un cordon (UL, CSA...) triphasé à quatre conducteurs de 125/250 VOLTS de tension et relié à un CIRCUIT SPÉCIALISÉ DE 50 AMPÈRES pour cuisinière.

Le cordon doit être fixé au bloc de jonction de la cuisinière avec un réducteur de tension s'adaptant à un trou de 1 po (25,4 mm) de diamètre. Si ce n'est pas le cas, le cordon doit être muni de cosses en boucle fermée de ¼ po (6 mm) fixées aux extrémités libres des conducteurs individuels, préférablement soudés sur place.

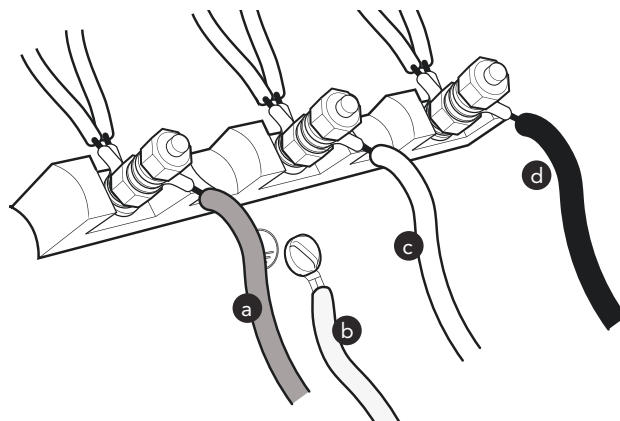
Raccordement à quatre (4) fils

1. Repérez le bloc de jonction à l'arrière de l'appareil et enlevez le couvercle.
2. Enlevez seulement les écrous supérieurs des plots du bloc de jonction. N'enlevez pas les écrous qui maintiennent les fils de câblage internes de la cuisinière.
3. Installez une bride de cordon (non fournie avec la cuisinière) dans le trou de 1 po (25,4 mm) de diamètre situé sous le bloc de jonction, dans le panneau arrière. Faites passer les fils par la bride de cordon.
4. Fixez le fil neutre mis à la terre du circuit d'alimentation au plot central du bloc de jonction avec un écrou.



5. Fixez les fils de sortie L1 (rouge) et L2 (noir) aux plots du bloc de jonction extérieur (couleur laiton) avec des écrous.

6. Enlevez la vis verte du connecteur de terre située sous le bloc de jonction. Jetez le fil blanc.



a – Fil rouge/L1

b – Fil vert de mise à la terre

c – Fil blanc (neutre)

d – Fil noir/L2

7. Fixez le connecteur de terre en cuivre au châssis de la cuisinière à l'aide de la vis de mise à la terre précédemment utilisée avec le fil blanc. Assurez-vous que les bornes neutre et de terre ne se touchent pas.
8. Serrez bien toutes les connexions.
9. Réinstallez le couvercle du bloc de jonction.

Connexion à trois fils

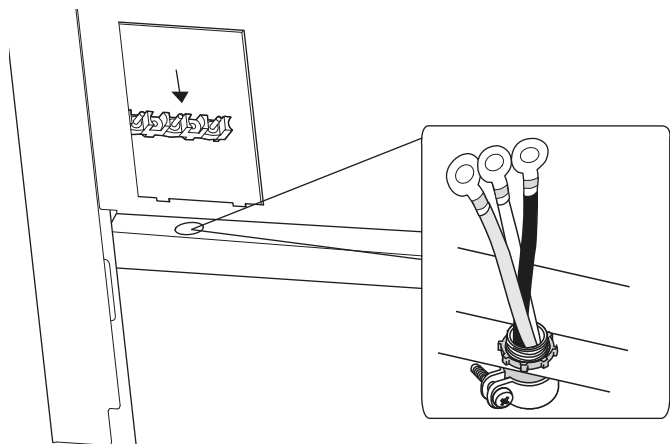
Cet appareil prêt-à-installer est fabriqué avec un cordon d'alimentation à quatre fils et une prise. Toutefois, lorsque les normes et codes locaux permettent une mise à la terre par fil neutre et qu'une conversion à un cordon de quatre fils est irréalisable, utilisez un cordon (UL, CSA...) triphasé à trois conducteurs de 125/250 VOLTS de tension et relié à un CIRCUIT SPÉCIALISÉ DE 50 AMPÈRES pour cuisinière.

Le cordon doit être fixé au bloc de jonction de la cuisinière avec un réducteur de tension s'adaptant à un trou de 1 po (25,4 mm) de diamètre. Si ce n'est pas le cas, le cordon doit être muni de cosses en boucle fermée de ¼ po (6 mm) fixées aux extrémités libres des conducteurs individuels, préférablement soudés sur place.

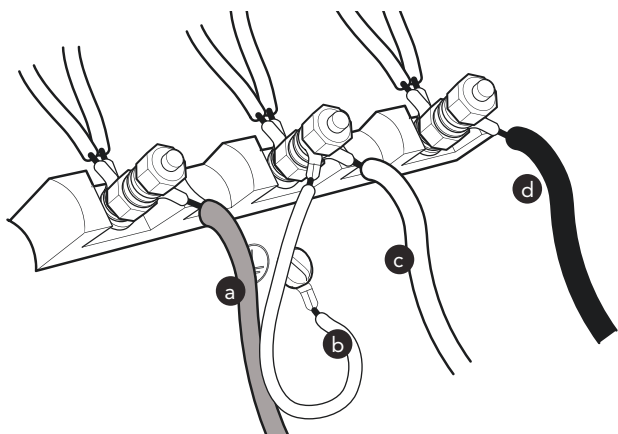
Raccordement à trois (3) fils

1. Repérez le bloc de jonction à l'arrière de l'appareil et enlevez le couvercle.
2. Enlevez seulement les écrous supérieurs des plots du bloc de jonction. N'enlevez pas les écrous qui maintiennent les fils de câblage internes de la cuisinière.

3. Installez une bride de cordon (non fournie avec la cuisinière) dans le trou de 1 po (25,4 mm) de diamètre situé sous le bloc de jonction, dans le panneau arrière. Faites passer les fils par la bride de cordon.



4. Fixez le fil neutre mis à la terre du circuit d'alimentation au plot central (de couleur argent) du bloc de jonction.



- a – Fil rouge/L1 b – Fil vert de mise à la terre
c – Fil blanc (neutre) d – Fil noir/L2

5. Fixez les fils de sortie L1 (rouge) et L2 (noir) aux plots correspondants du bloc de jonction extérieur (couleur laiton).
6. Fixez l'une des extrémités du fil neutre monté en boucle, situé sous le bloc de jonction, au plot central du bloc de jonction avec un écrou et vissez l'autre extrémité du fil au dos de la cuisinière.
7. Serrez bien les écrous.
8. Réinstallez le couvercle du bloc de jonction.

Installation du dossieret

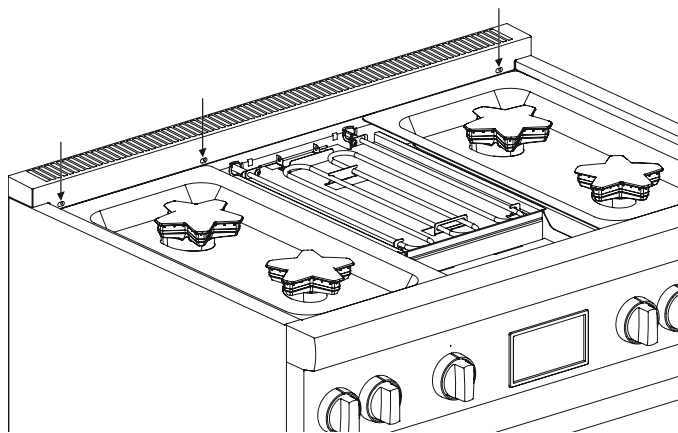
⚠ AVERTISSEMENT

Vous pourriez vous pincer les doigts ou les mains et vous blesser gravement lors de l'installation de cet accessoire. Soyez très prudent et portez des gants protecteurs épais pour éviter toute coupure ou lacération des doigts ou des mains lorsque vous faites glisser le dossieret en place.

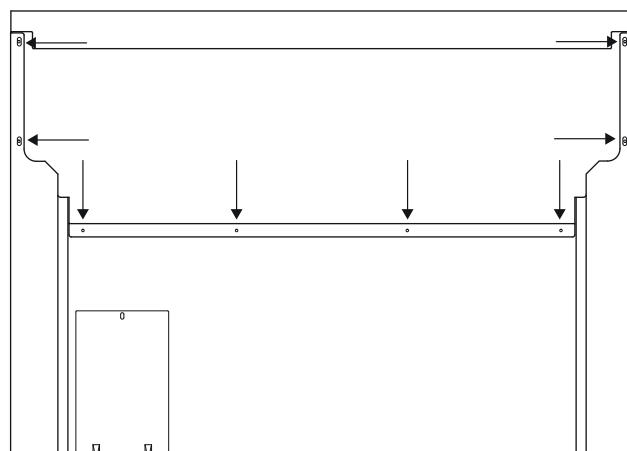
⚠ AVERTISSEMENT

Pour réduire les risques d'incendie ou de blessures corporelles, assurez-vous que tout le matériel d'emballage a été retiré des accessoires avant de les utiliser.

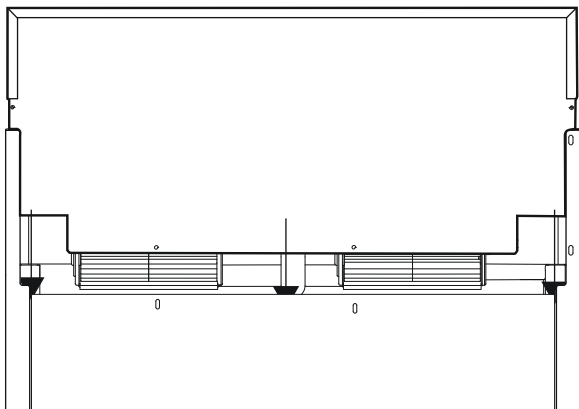
1. Enlevez les vis Torx T-20 en acier inoxydable de la partie avant de la garniture d'îlot.



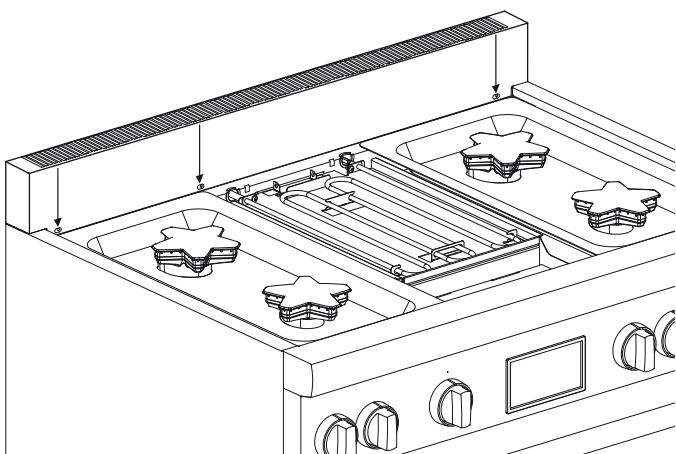
2. Enlevez les vis retenant la garniture du panneau arrière. Tirez vers le haut pour l'enlever complètement.



3. Alignez le panneau arrière du nouvel accessoire avec les brides des coins arrière droit et gauche des panneaux latéraux de la cuisinière. Assurez-vous que la face du dossier est à l'extérieur des brides, vers l'avant de la cuisinière.



4. Assurez-vous que la face du dossier est à l'extérieur des brides, vers l'avant de la cuisinière.



5. Remettez en place les vis enlevées aux étapes 1 et 2.

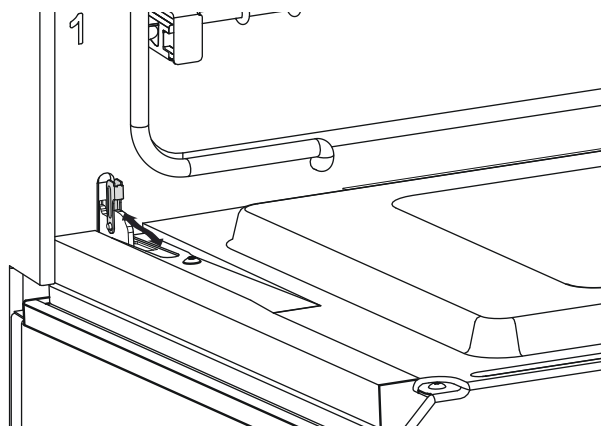
Retrait et installation de la porte

▲ MISE EN GARDE

- **FAITES ATTENTION LORSQUE VOUS ENLEVEZ LA PORTE. ELLE EST TRÈS LOURDE.**
- Pour éviter tout risque de brûlure ou de décharge électrique, assurez-vous que le four est froid et que l'alimentation électrique est coupée avant d'enlever la porte du four.
- La porte est lourde et fragile. Utilisez vos deux mains pour l'enlever ou la remettre en place.
- Si vous ne saisissez pas la porte fermement et adéquatement, vous pourriez endommager l'appareil ou vous blesser.
- Lorsque la porte est enlevée, ne lâchez jamais la poignée pour essayer de fermer les charnières. Sans le poids de la porte, les puissants ressorts des charnières se refermeront avec beaucoup de force.

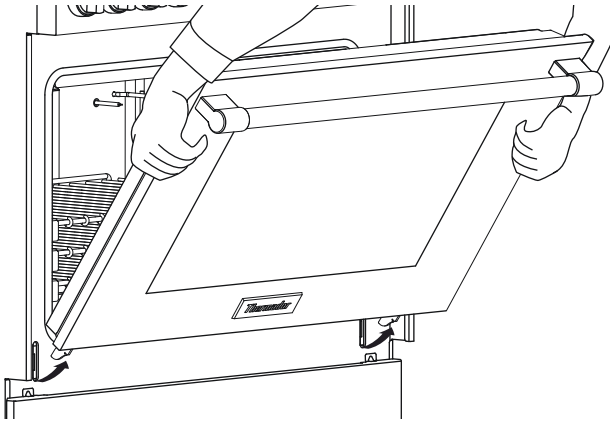
Démontage de la porte du four

1. Assurez-vous de lire tous les avertissements et précautions figurant dans le manuel d'installation concernant le retrait de la porte avant toute tentative de retirer la porte.
2. Ouvrez complètement la porte.
3. Rabattez les griffes à charnières vers le bas. Vous pourriez avoir besoin d'un tournevis pour les faire basculer.



4. Fermez la porte doucement jusqu'à ce qu'elle repose contre les griffes à charnières. Lorsque celles-ci sont en position ouverte, la porte reste ouverte à un angle fermé environ à 30° par rapport à sa position fermée.

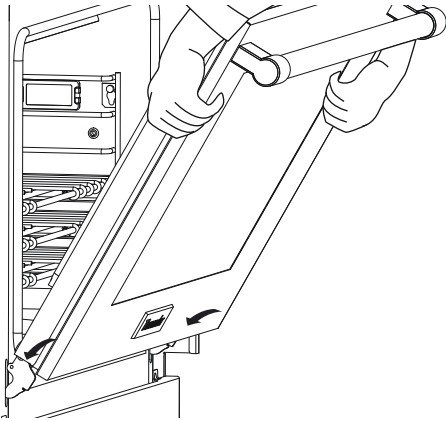
- Prenez la porte par les extrémités et soulevez-la. Les ressorts offriront une certaine résistance. Soulevez doucement la porte pour la faire sortir des fentes.



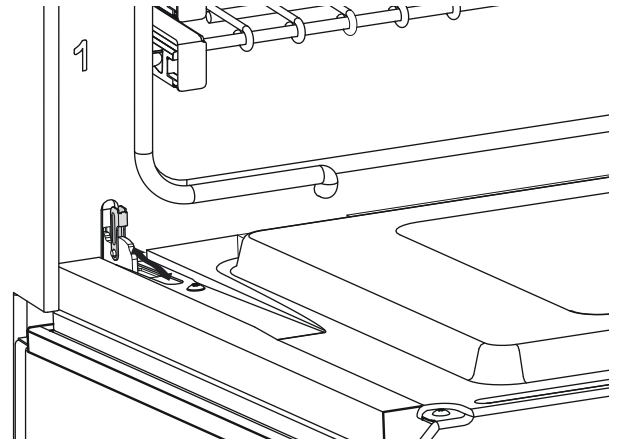
- Placez la porte à un endroit sur et stable.

Remettez en place la ou les portes du four

- Prenez la porte fermement avec vos deux mains.
- Tenez la porte à un angle de 30° par rapport à sa position fermée. Insérez les charnières en les entrant dans les fentes. Lorsque vous les installez convenablement, elles s'enclenchent solidement dans les fentes. Ne forcez pas et ne pliez et ne tordez pas la porte.



- Ouvrez complètement la porte pour exposer les charnières, les leviers et les fentes.
- Faites basculer les charnières vers l'avant et vers le bas jusqu'à ce qu'elles reposent dans les fentes. Vous pourriez avoir besoin d'un tournevis pour remettre les griffes à charnière en place.



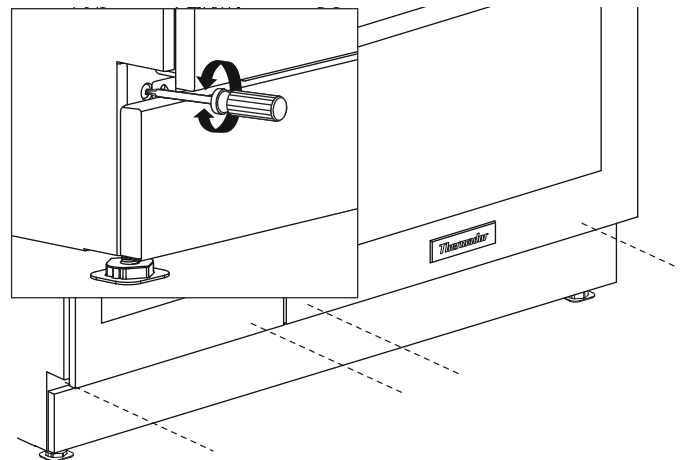
- Fermez et ouvrez la porte pour vous assurer qu'elle est installée correctement.

Vérification de l'installation et du fonctionnement de la porte

- Ouvrez et fermez la porte lentement pour vous assurer qu'elle bouge normalement et qu'elle s'adapte bien à la cavité du four. Ne forcez pas pour l'ouvrir ou la fermer. Si la porte est bien installée, elle devrait être facile à ouvrir et être alignée avec le devant du four lorsqu'elle est en position fermée.
- La cuisinière doit être bien nivelée pour que les portes du four s'alignent correctement. Voir «Mise en place et nivelage de la cuisinière».
- Si la porte ne fonctionne pas correctement, assurez-vous que les charnières sont bien appuyées dans les fentes et que les griffes à charnières sont bien installées au fond des fentes.

Si la porte ou la poignée semble légèrement inclinée d'un côté ou de l'autre

- Ajuster l'inclinaison en vissant ou dévissant à l'aide d'un grand tournevis Torx T-30 la vis Torx de la charnière, située directement au-dessus de la fente de la charnière. Tournez la vis jusqu'à ce que la porte soit correctement alignée.



Mise en place et nivelage de la cuisinière

▲ MISE EN GARDE

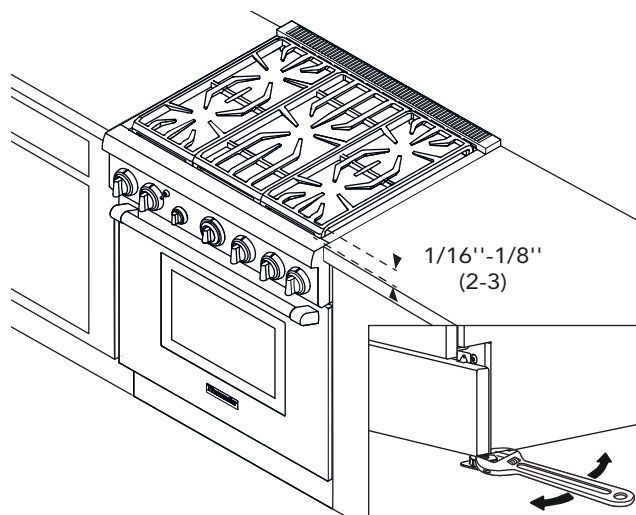
Les côtés supérieurs des panneaux latéraux de la cuisinière doivent être à la même hauteur ou plus haut que le comptoir adjacent. Si la cuisinière se trouve à une hauteur inférieure que l'armoire adjacente lorsqu'elle fonctionne, les températures excessives qui se dégagent de la cuisinière pourraient endommager les armoires et le comptoir.

Ajustement des pattes de nivelage

Pour fonctionner adéquatement, la cuisinière doit être nivelée. Pour un rendement optimal, vous devriez vous assurer que la cavité du four est également nivelée.

Mise au niveau

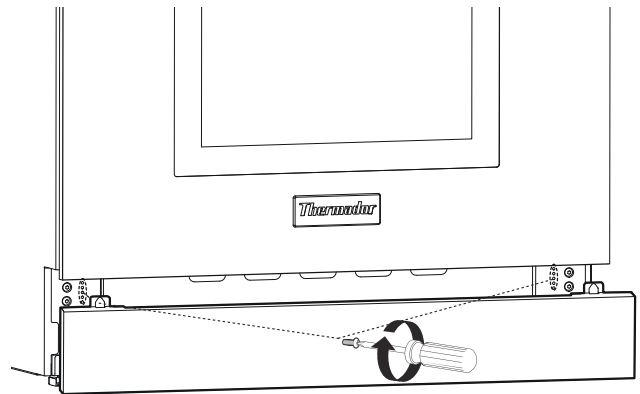
1. Mesurez d'abord la hauteur du comptoir avec un ruban et ajoutez 1/16 po - 1/8 po (2-3 mm). Ajustez les pattes en conséquence avant de pousser la cuisinière à son emplacement définitif.
2. Faites tourner les pattes en utilisant une clé ajustable de 12 po sur le côté plat de chacune d'elles. Vous devriez ajuster la hauteur des quatre pattes des coins en alternant jusqu'à ce que les rebords supérieurs des panneaux latéraux de la cuisinière soient plus ou moins à la hauteur du comptoir.



3. Vous devez ajuster totalement les deux pattes arrière avant de pousser la cuisinière à son emplacement définitif.
 - Au moment d'installer la cuisinière à son emplacement définitif, assurez-vous que le dispositif anti-bascule s'insère correctement. Pour ce faire, vous pouvez regarder à travers l'ouverture située à l'avant de la cuisinière, près du sol.
4. Lorsque la cuisinière se trouve à son emplacement définitif, ajustez les deux pattes avant pour l'aligner avec le comptoir.

Ajustement du panneau de seuil (plinthe)

1. Enlevez les vis du panneau de seuil à l'aide d'un tournevis torx T-20.
2. Replacez le panneau à l'une des cinq positions de trou de vis. Réinstallez les vis Torx.

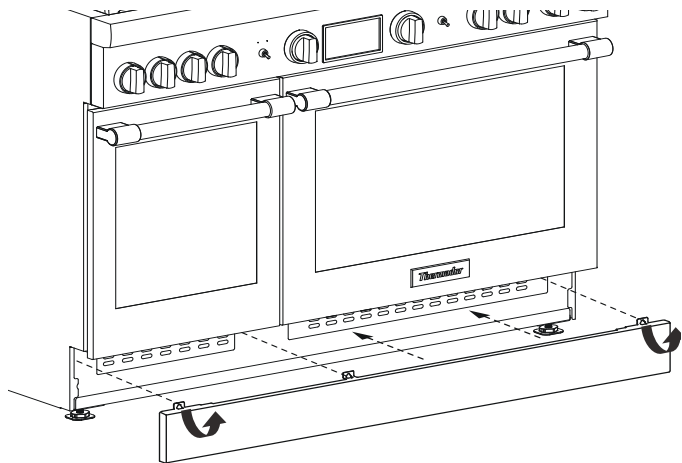


3. Refaites la même chose de l'autre côté en veillant à ce que le panneau soit de niveau.
4. Le panneau de seuil (plinthe) de la cuisinière doit se trouver au moins à 0,5 po (12,7 mm) au-dessus du sol.

Plaque signalétique

Plaque signalétique

La plaque signalétique indique le modèle et le numéro de série de votre cuisinière. Elle se trouve sur une plaque coulissante derrière la cuisinière. Vous pouvez accéder à la plaque coulissante en enlevant en premier lieu la garniture de la porte, comme illustré ci-dessous.



Schémas de câblage électrique

Les schémas de câblage électrique et les dessins placés dans la zone de la base ne doivent pas être enlevés sauf par un technicien de service. Remettez en place après l'entretien.

Test de brûleurs

⚠ AVERTISSEMENT

Pour prévenir toute brûlure, éviter de toucher les chapeaux et les grilles des brûleurs lorsqu'ils sont chauds. Éteignez la table de cuisson et laissez les brûleurs refroidir.

Installer tout composant lâche, tels capuchons et grilles de brûleurs, ayant été retirés précédemment. S'assurer que les capuchons de brûleurs sont adéquatement placés sur les bases des brûleurs. Avant de vérifier le fonctionnement de l'appareil, vérifier qu'il n'y a aucune fuite à l'appareil et à la soupape de gaz; que l'appareil est branché sur l'alimentation électrique. Ouvrir la soupape d'arrêt de gaz manuelle.

Pour assurer un fonctionnement approprié, les chapeaux des brûleurs STAR doivent être placés adéquatement sur leur base. Si le chapeau n'est pas placé adéquatement, l'un ou l'autre des problèmes suivants pourrait survenir :

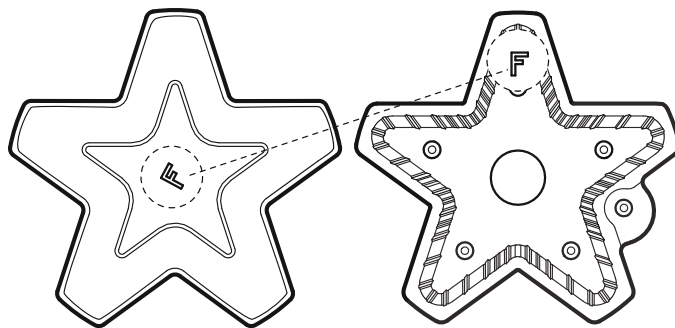
- Les flammes du brûleur sont trop hautes.
- Des flammes excessives jaillissent du brûleur.
- Le brûleur ne s'allume pas.
- Les flammes du brûleur sont inégales.
- Le brûleur émet des odeurs.

Mise en place des capuchons de brûleur

Chaque capuchon comporte une lettre (B, D, ou F) coulée dans la partie inférieure du capuchon correspondant à une lettre (B, D, ou F) coulée dans la base du brûleur solidaire de l'appareil.

Placez sur les chapeaux de brûleurs

1. Placer chaque capuchon de brûleur sur la base du brûleur correspondant selon la lettre marquée sur chacun d'eux.

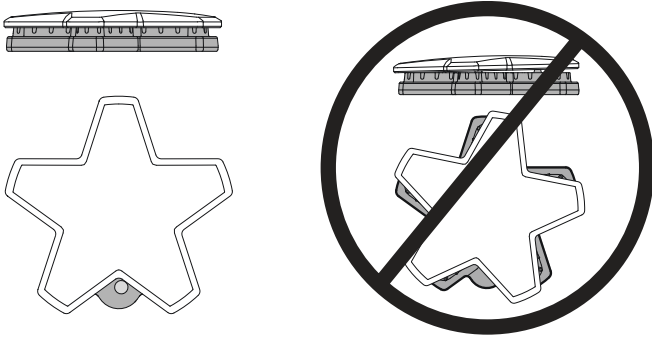


2. Placer le capuchon de brûleur délicatement sur la base de manière à ce que les pattes de la base du brûleur s'ajustent parfaitement dans la fente du capuchon de brûleur.

Vérification de la position des chapeaux des brûleurs

- Vérifiez chaque brûleur pour vous assurer qu'il n'y a pas d'espace entre le chapeau et la base du brûleur. Voir Figure pour des exemples de chapeau de brûleur correctement ou incorrectement placés.
- Vous pouvez essayer de déplacer délicatement les chapeaux des brûleurs latéralement pour vous assurer qu'ils sont placés correctement sur leur base.

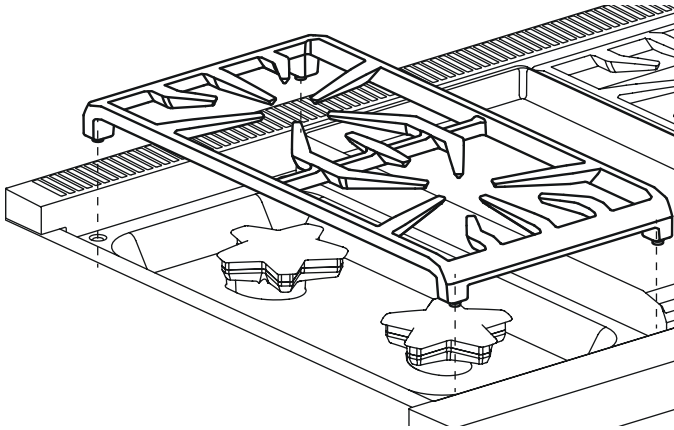
- Lorsqu'ils sont bien placés, les chapeaux des brûleurs sont droits sur la base et couvrent complètement la base du brûleur en forme d'étoile lorsque vous les regardez d'en haut.



Positionnement des grilles des brûleurs

Pour installer les grilles des brûleurs

1. Positionnez-les avec le côté plat vers le bas et alignez-les dans la partie enfoncée.
2. Les grilles doivent s'appuyer les unes contre les autres et contre les côtés de la partie enfoncée.



Vérifier les brûleurs de surface de cuisson

Voir Figure pour les caractéristiques de flamme appropriées. Si un des brûleurs de surface de cuisson continue de presque brûler ou est complètement jaune, vérifiez si le capuchon est positionné adéquatement sur la base du brûleur, puis essayez de nouveau. Si les caractéristiques de flamme ne s'améliorent pas, communiquez avec Thermador entretien.

Vérifier l'allumage de brûleur

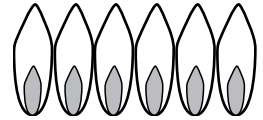
1. Choisir un bouton de surface de cuisson. Pousser et tourner dans le sens contre horaire à HI.

- Le module allumeur/ étincelle produit un clic. Une fois l'air purgé de la canalisation d'alimentation, le brûleur devrait s'allumer dans un délai de 4 secondes.
2. Tourner le bouton à LO.
 - Vérifier si la flamme enveloppe complètement le brûleur. Il doit y avoir une flamme à chaque port du brûleur et il ne doit pas y avoir d'intervalle d'air entre la flamme et le brûleur. Si les brûleurs ne sont pas enveloppés, communiquer avec Thermador entretien.
 3. Répéter l'allumage et la vérification de flamme décrits ci-dessus pour chaque brûleur de surface de cuisson.

Caractéristiques de la flamme

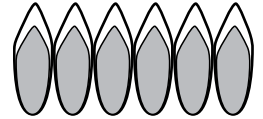
Flamme jaune :

Réglage nécessaire.



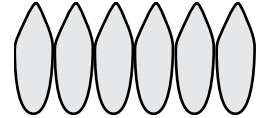
Pointe jaune sur cône extérieur :

Normal pour gaz LP.



Flamme bleue :

Normal pour gaz naturel.



Si la flamme est complètement ou presque jaune, assurez-vous que le régulateur est réglé pour le combustible approprié. Après le réglage, vérifiez de nouveau.

Des rayures de couleur orangée sont normales pendant la mise en marche initiale.

Laissez l'appareil fonctionner de 4 à 5 minutes et évaluez de nouveau avant d'effectuer les réglages.

Certains brûleurs de surface sont munis de la technologie XLO^{mc}. Lorsque le sélecteur est réglé à la fonction XLO, la flamme s'allume et s'éteint périodiquement. Cela est normal.

Lorsque la flamme est adéquatement réglée :

- Il doit y avoir une flamme à chaque port du brûleur.
- Il ne doit pas y avoir d'intervalle d'air entre la flamme et le port du brûleur.

Communiquez avec Thermador entretien si :

- Tout brûleurs ne s'allume pas.
- Si tout brûleurs continue de brûler jaune.

Liste de vérification pour l'installateur

Liste de vérification

- ____ Les distances indiquées entre l'appareil et les armoires adjacentes sont respectées.
- ____ L'unité est de niveau.
- ____ Les chapeaux des brûleurs sont bien placés sur les bases.
- ____ Tout matériel d'emballage retiré.
- ____ La garniture d'îlot ou le dossier installé selon les instructions.
- ____ Lorsque le sélecteur est réglé à la fonction XLO, la flamme s'allume et s'éteint périodiquement.
- ____ Vérifier si la flamme enveloppe complètement le brûleur. Il doit y avoir une flamme à chaque port du brûleur et il ne doit pas y avoir d'intervalle d'air entre la flamme et le brûleur.
- ____ **INSTALLATEUR** : Laissez la brochure des directives de Home Connect avec le propriétaire de l'appareil électroménager. Pour optimiser le plein potentiel des fonctionnalités de l'appareil électroménager, le propriétaire devrait télécharger l'appli Home Connect sur son appareil intelligent et appairer l'appareil électroménager avec le dispositif Wi-Fi de la maison.

Alimentation en gaz

- ____ Le robinet manuel d'arrêt de gaz a été installé à un endroit accessible (sans devoir déplacer la cuisinière).
- ____ L'appareil a été testé et n'a pas de fuites de gaz.
- ____ La vanne d'arrêt de gaz manuel a été installée à un endroit facile d'accès (sans qu'il soit nécessaire de déplacer la cuisinière). Le propriétaire sait où se trouve la vanne d'arrêt de gaz.
- ____ L'appareil a été testé et il n'y a aucune fuite de gaz.
- ____ Si le cuisinière fonctionne au gaz propane, assurez-vous que l'alimentation en propane est pourvue de son propre détendeur en plus du détendeur fourni avec l'appareil.

Électricité

- ____ La prise de courant sur laquelle le cordon d'alimentation est branché est bien protégée contre les surtensions.
- ____ Une mise à la terre adéquate a été installée.
- ____ Le propriétaire sait où se trouve le disjoncteur principal.

Fonctionnement

- ____ Les marques sont bien centrées sur les commandes des brûleurs et les boutons tournent librement.
- ____ Chaque brûleur s'allume correctement, seul ou avec d'autres brûleurs allumés.
- ____ Les crochets charnières de la porte du four sont bien en place et se verrouillent correctement. La porte s'ouvre et se ferme correctement.
- ____ Les grilles des brûleurs sont bien placées, nivelées et ne bougent pas.
- ____ **INSTALLATEUR** : Écrivez le numéro de modèle et le numéro de série se trouvant sur la plaque signalétique dans le Manuel d'Utilisation et d'Entretien (la plaque se trouve du côté droit de la cuisinière, entre la cavité du four et le panneau latéral). Laissez le Manuel d'Utilisation et d'Entretien ainsi que le Manuel d'Installation au propriétaire de l'appareil.

Nettoyage et protection des surfaces externes

- Frottez toujours l'acier inoxydable dans le sens du grain.
- Pour nettoyer et protéger l'acier inoxydable, utilisez le produit Stainless Steel Conditioner de Thermador, en vente à la boutique électronique Thermador (www.thermador.com/customer-care).
- NE laissez PAS les taches s'incruster.
- N'utilisez PAS de tampons ni de brosses métalliques. De petits morceaux de métal risquent d'adhérer à la surface et de la faire rouiller.
- NE laissez PAS les solutions salines, les désinfectants, l'eau de Javel ou les produits de nettoyage en contact avec l'acier inoxydable. Ces produits contiennent en général des produits chimiques susceptibles de l'endommager. Rincez-les à l'eau puis séchez avec un chiffon sec.
- Pour des renseignements supplémentaires, se reporter au Guide d'utilisation et d'entretien.

Dépannage

Voyez le Guide d'Utilisation et d'entretien pour les renseignements de dépannage.

Índice de MATERIAS

Seguridad	52
Lea todas las instrucciones antes de continuar	52
Información de instalación.....	55
Información de planificación	55
Requerimientos de ventilación	55
Distancias de instalación.....	56
Ubicación de los eléctricos y de gas	62
Desempacar y mover la estufa	63
Instalación del dispositivo antivuelco (necesaria).....	64
Requerimientos de gas y conexiones	65
Requerimientos eléctricos y conexión para unidades de gas	66
Mixtas conexión eléctrica	67
Quitar y reinstalar la puerta	69
Instalación de la consola trasera.....	71
Colocar y nivelar la estufa	72
Placa con información del aparato.....	73
Probar de quemador	73
Lista de chequeo del instalador	75
Control final.....	75
Servicio, piezas y accesorios.....	contraportada

Definiciones de SEGURIDAD

▲ ADVERTENCIA

Esto indica que se pueden producir lesiones graves o la muerte si no se cumple con esta advertencia.

▲ PRECAUCIÓN

Esto indica que pueden producirse lesiones leves o moderadas si no se cumple con esta advertencia.

NOTA: Esto indica que puede producirse un daño al electrodoméstico o a la propiedad como resultado de la falta de cumplimiento de este aviso.

Nota: Esto lo alerta sobre información y/o consejos importantes.

Este electrodoméstico de THERMADOR®
 está hecho por BSH Home Appliances Corporation
 1901 Main Street, Suite 600
 Irvine, CA 92614

¿Preguntas?

1-800-735-4328

www.thermador.com

¡Esperamos oír de usted!

⚠ INSTRUCCIONES IMPORTANTES DE SEGURIDAD LEA TODAS LAS INSTRUCCIONES ANTES DE CONTINUAR

INSTALADOR: Guarde estas instrucciones para el inspector de la empresa proveedora de gas de su localidad. Deje esas instrucciones de instalación con el aparato para el propietario. Mostrar al propietario la ubicación del disyuntor o del fusible. Marcarlo para recordar más fácilmente.

PROPIETARIO: Guarde estas instrucciones para futuras referencias. Lea todas las instrucciones antes de utilizar el aparato.

ADVERTENCIA



La falta de observar la información en este manual puede causar un fuego o una explosión, y como resultado daños a la propiedad, lesiones o la muerte.

- No guarde o use materiales combustibles, gasolina u otros vapores y líquidos inflamables cerca de este o cualquier otro aparato.
- **QUÉ HACER CUANDO HUELE A GAS**
 - No trate de encender ningún aparato.
 - No toque ningún interruptor eléctrico.
 - No use ningún teléfono en su edificio.
 - Llame de inmediato a su proveedor de gas desde el teléfono de algún vecino. Siga las instrucciones de su proveedor de gas.
 - Cuando no pueda localizar a su proveedor de gas, llame a los bomberos.
- Un instalador calificado, una agencia de servicio autorizada o el proveedor de gas debe realizar la instalación y el servicio.

ADVERTENCIA



PELIGRO DE DESCARGA ELÉCTRICA

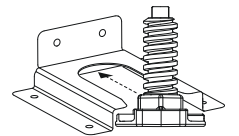
- Desconecte la corriente antes de la instalación. Antes de prender la corriente, asegúrese de que todos los controles estén en la posición OFF. No hacerlo puede producir la muerte o una descarga eléctrica.
- No los quites conexiones.
- No usar un cable de extensión.
- La conexión incorrecta a tierra puede causar una descarga eléctrica.
- No hacerlo puede producir la muerte o una descarga eléctrica.

ADVERTENCIA



RIESGO DE VUELCO DE LA ESTUFA:

- Un niño o un adulto podrían volcar el aparato y perder la vida.
- Asegúrese de que el dispositivo antivuelco esté instalado adecuadamente y que su soporte retenga la pata del aparato, conforme a las instrucciones de instalación.
- Asegúrese de que el dispositivo antivuelco retenga la pata del aparato al reinstalarlo en su sitio.
- No utilice el aparato si el dispositivo antivuelco no está instalado y no retiene el aparato.
- El hecho de no leer las instrucciones de este manual puede causar la muerte o graves quemaduras a niños y adultos.
- Cuando jale la estufa de la pared por motivos de limpieza, servicio u otra razón, asegúrese de volver a insertar correctamente el dispositivo antivuelco cuando empuje la estufa contra la pared. Sino, en el caso de un uso poco normal de la estufa (por ejemplo si alguien trepa, se sienta o se apoya sobre una puerta abierta), ésta podría volcarse. El hecho de ignorar esta precaución puede causar el vuelco de la estufa, lo que podría causar lesiones debido a líquidos calientes derramados o al peso mismo de la estufa.



INSTRUCCIONES IMPORTANTES DE SEGURIDAD

LEA TODAS LAS INSTRUCCIONES ANTES DE CONTINUAR

Los códigos locales pueden variar. La instalación, las conexiones eléctricas y la toma de tierra deben cumplir con todos los códigos aplicables. Si no se siguen los códigos y las reglamentaciones locales, es posible que se anule la garantía.

La instalación de los electrodomésticos en casas rodantes debe cumplir con la Norma de Construcción y Seguridad de Casas Fabricadas, Título 24 CFR, Parte 3280 [denominada anteriormente Norma Federal para la Construcción y Seguridad de Casas Rodantes, Título 24, HUD (Parte 280), (para los Estados Unidos).

La instalación de estos dispositivos diseñados para microcasas prefabricadas debe realizarse de conformidad con las disposiciones nacionales u otras o bien, en su defecto, con la norma sobre micro-casas prefabricadas ANSI A119.5.

Examine el aparato después de desembalarlo. En el caso de que se hayan producido daños en el transporte, no lo enchufe.

Retirar toda la cinta y el embalaje antes de usar el electrodoméstico. Destruir el embalaje después de desembalar el electrodoméstico. No dejar nunca que los niños jueguen con el material de embalaje.

Es necesario hacer la toma de tierra de este aparato. La toma de tierra reduce los riesgos de descarga eléctrica proporcionando a la corriente eléctrica una vía de escape en caso de cortocircuito.

El electrodoméstico debe conectarse a tierra conforme a la normativa local o, en ausencia de esta, conforme a la Código Eléctrico Nacional (última versión de la NFPA 70) o, si se lleva a cabo en Canadá, al Código Eléctrico de Canadá (CSA C22.1-02).

NO instale esta estufa afuera.

Para Instalaciones en Massachusetts

1. La instalación debe realizarse por un contratista, un plomero o un técnico de gas cualificado o autorizado por el estado, la provincia o región donde se está instalando este aparato.
2. La válvula de cierre debe ser un grifo de gas en T.
3. El conducto flexible de gas no debe medir más de 36 pulg. (914 mm).

Verifique el tipo de gas suministrado en el lugar. Asegúrese que el aparato esté conectado al tipo de gas para el cual está certificado. Todos los modelos están certificados para el uso con gas natural. La conversión del aparato para el uso con gas propano requiere de un kit de conversión.

Durante un apagón, los quemadores solo se pueden encender manualmente. Solo se pueden encender manualmente los quemadores estándar superiores.

No almacene ni use gasolina u otros vapores y líquidos inflamables en la proximidad de este aparato o cualquier otro.

Gas natural — 7 pulg. columna agua (17.4 mb) mín., 14 pulg. (34.9 mb) máximo

Gas propano — 11 pulg. columna agua (27.4 mb) mín., 14 pulg. (34.9 mb) máximo

Este electrodoméstico viene configurado de fábrica para usarlo con gas natural. Para usarlo con gas propano (LP), se debe comprar por separado un kit de conversión. Un proveedor de servicio técnico autorizado debe realizar la conversión a LP. Consultar la contraportada para obtener información sobre mantenimiento, piezas y accesorios.

PRECAUCIÓN

Cuando conecta el aparato a gas propano, asegúrese de que el tanque de gas propano venga con su propio regulador de alta presión además del regulador de presión que se incluye con la estufa. La máxima presión de gas de este aparato no debe exceder 14.0 pulgadas de columna de agua (34.9 mb) del tanque de gas propano al regulador de presión.

Este aparato cumple con una o más de las siguientes normas:

- UL 858 – norma de seguridad para estufas eléctricas domésticas
- ANSI Z21.1 – norma americana para aparatos domésticos de gas
- CAN/CGA1.1-M81 – estufas domésticas de gas
- CAN/CSA-C22.2 No 61 – norma canadiense para estufas domésticas

Consulte los códigos locales de construcción para el método apropiado de instalación del aparato. Los códigos locales pueden variar. La instalación, conexiones eléctricas y conexiones a tierra deben cumplir con los códigos aplicables.

INSTRUCCIONES IMPORTANTES DE SEGURIDAD

LEA TODAS LAS INSTRUCCIONES ANTES DE CONTINUAR

En la ausencia de códigos locales el aparato debe ser instalado de acuerdo al National Fuel Gas Code (Código Nacional de Gas Combustible) ANSI Z223.1/NFPA 54 vigente y al National Electrical Code (Código Nacional de Electricidad) ANSI/NFPA 70 vigente. En Canadá, la instalación debe ser conforme al 1-B149.1 and .2 – Installation Codes for Gas Burning Appliances (Códigos de Instalación para Unidades que Queman Gas) y/o códigos locales.

Requisitos de espacio libre trasera

- Para evitar manchas en la pared posterior, se recomienda el uso de materiales de construcción no porosos y de alta temperatura, adecuados para un ambiente de cocina.
- El modelo PCG305xx, PRG305xx, PRG304xx, PRD305xx, PRD304, y PRD606xx es adecuado para espacios libres traseros de 0" en superficies combustibles.
- Todos los demás modelos:
 - Cuando se utiliza el accesorio de isla incluido, el fabricante recomienda una separación trasera mínima de 6" (152 mm) respecto a una superficie combustible*.
 - Cuando se instale sobre una superficie combustible, se requiere una consola trasera de protección baja para una separación trasera de 0" para todos los modelos. Se debe comprar por separado una consola trasera de protección baja de Thermador.
 - Una separación trasera respecto a una superficie cubierta con un material no combustibles (metal, baldosas de cerámica, ladrillo, mármol o piedra)*^Δ es cero pulgadas.

**Las separaciones de menos de 6" (152 mm) deben ser aprobadas por los códigos locales y/o por la autoridad local competente.

Δ Las separaciones de materiales no combustibles no son parte del alcance ANSI Z21.1 y no están certificadas por CSA.

ADVERTENCIA

Para evitar un posible riesgo de quemaduras o fuego se debe instalar una consola trasera de protección diseñada específicamente para esta estufa antes de utilizarla.

ADVERTENCIA

El aparato sirve para cocinar. Basado en consideraciones de seguridad, nunca debe usarlo para calentar una habitación.

PRECAUCIÓN

Para eliminar el riesgo de sufrir quemaduras o que se produzca un incendio al alcanzar las unidades cuya superficie esté caliente, se deberá evitar colocar gabinetes de almacenamiento encima de las unidades de la superficie.

Advertencia en virtud de la Proposición 65:

Este producto puede contener un químico que el Estado de California reconoce como potencialmente cancerígeno o causante de daños reproductivos. Por tanto, su producto debe llevar en su embalaje la siguiente etiqueta de conformidad con la legislación de California:

ADVERTENCIA EN VIRTUD DE LA PROPOSICIÓN 65 DEL ESTADO DE CALIFORNIA:

ADVERTENCIA

Cáncer y daño reproductivo - www.P65Warnings.ca.gov

ADVERTENCIA

No Operar Nunca La Zona De Cocción De La Superficie.

- Si no se observa esta advertencia, se podría producir una explosión o un riesgo de quemaduras que podría dar lugar a daños materiales, personales o incluso la muerte.
- Si ocurriera un incendio, mantenerse alejado del aparato y ponerse en contacto de inmediato con los bomberos. NO INTENTAR EXTINGUIR CON AGUA UN INCENDIO CAUSADO POR ACEITE/GRASA.

Información de instalación

Información de planificación

▲ PRECAUCIÓN

Para evitar posibles daños a los gabinetes y su acabados, usar solo materiales y acabados que no se decoloren ni se dividan en capas. Los materiales deben soportar temperaturas de hasta 194 °F (90 °C). Se debe usar adhesivo resistente al calor y la humedad si el producto se va a instalar en gabinetes laminados. Verificar con el fabricante para asegurarse que los materiales cumplan con estos requisitos.

Antes de usar su aparato, asegúrese de leer este manual. Ponga especial atención a las Instrucciones importantes de seguridad al principio del manual.

Se deben sellar todas las aberturas situadas en la pared detrás de la estufa y en el piso debajo de la estufa.

Herramientas requeridas

- Llave poligonal o de carraca de 7/16 pulg.
- Broca de 3/16 pulg. (4,76 mm)
- Taladro eléctrico o de mano
- Broca de 1/8 pulg. (3,17 mm)
- Llave de boca ajustable de 12 pulg.
- Destornillador Torx T-20
- Destornillador Torx T-30
- Cinta métrica
- Plataforma de ruedas
- Destornillador estrella
- Nivel
- Lápiz u otro marcador
- Guantes de protección
- Gafas de seguridad

Elementos no incluidos

- Anclajes para yeso-cartón u hormigón
- Cuerda/cordel
- (2) adaptadores para brida, conformes a la norma NPT
- Compuesto/cinta para conducto
- Conducto flexible de 3/4 pulg. (19 mm)

IMPORTANTE: Existe la posibilidad de que la pared trasera se decolore bajo ciertas condiciones de cocción.

Requisitos de ventilación

▲ ADVERTENCIA

No se debería instalar este aparato con un sistema de ventilación de corriente descendiente. Este tipo de sistema de ventilación puede presentar riesgo de ignición y problemas de combustión, provocando lesiones corporales, daños materiales o un funcionamiento involuntario. No se aplica ninguna restricción a los sistemas de ventilación de corriente ascendiente.

Consulte la "Guía de planificación de ventilación" para conocer las combinaciones de ventilación aprobadas.

Es altamente recomendado que este aparato se instale en conjunto con una campana de extracción Thermador. Debido a la alta capacidad de calentamiento de esta unidad, se debe prestar particular atención al trabajo de instalación de la campana y del ducto para asegurar que cumpla con los códigos locales de construcción.

No debería usar este aparato con un sistema de ventilación de corriente descendiente. La "Guía de planificación de ventilación" indica las campanas que se pueden usar y contiene consignas respecto a las capacidades de las campanas que se recomiendan usar con todas las estufas Thermador.

Debido al alto calor de los quemadores de la placa de cocción, no se recomienda instalar un horno de microondas con un sistema de ventilación sobre la placa de cocción ni tampoco nada que no sea la placa de 5 quemadores de 30". Consulte el manual de instalación del fabricante OTR para obtener información sobre los espacios que deben quedar libres.

Las campanas de ventilación y los ventiladores están diseñados para usarse con ductos sencillos de pared. Sin embargo, algunos códigos locales de construcción o inspectores de obras pueden requerir ductos dobles de pared. Consulte los códigos locales de construcción y/o las agencias locales antes de comenzar, para estar seguro que la instalación de la campana y de los ductos cumplen con los requerimientos locales.

AVISO: La mayor parte de las estufas tienen componentes combustibles que se deben tener en cuenta al planificar la instalación.

Preparación de la ventilación

Para preparar la ventilación

1. Seleccionar la campana y el ventilador:

- Para instalaciones en la pared, la anchura de la columna debe ser por lo menos igual a la anchura de la estufa. Donde el espacio lo permite, se puede instalar una campana más ancha que la superficie de la estufa para que la campana funcione mejor.
- Para instalaciones de tipo isla, la campana colgada debe ser por lo menos 3 pulgadas (76 mm) más ancha de cada lado que la superficie de la estufa.

2. Colocar la campana:

- Para eliminar mejor el humo, el borde inferior de la campana debe estar a una distancia mínima de 30 pulg. (762 mm) encima de la superficie de la estufa (vea la "Espacios libres con un microondas instalado sobre la estufa").
- Deje un espacio libre de un mínimo de 36 pulg. (914 mm) si la campana está hecha de materiales combustibles, como madera (vea la "Espacios libres con un microondas instalado sobre la estufa").

3. Considere una fuente de aire de recambio:

- Debido al alto volumen de aire de ventilación requerido, se recomienda tener una fuente externa de aire. Esto es sumamente importante para hogares bien sellados y aislados.
- Debe consultar a un contratista cualificado en calefacción y ventilación.

Distancias de instalación

Requisitos del gabinete

La estufa es un aparato aislado e independiente. Si desea colocar el aparato junto a armarios, debe instalarla dejando los espacios indicados en esta sección. Los mismos espacios libres aplican a instalaciones tipo isla, excepto para los gabinetes colgados, que deben tener un espacio con suficiente ancho para acomodar la campana de isla.

- Consulte la "Guía de planificación de ventilación" para conocer las combinaciones de ventilación aprobadas. Debido al alto calor de los quemadores de la placa de cocción, no se recomienda instalar un horno de microondas con un sistema de ventilación sobre la placa de cocción ni tampoco nada que no sea la placa de 5 quemadores de 30". Consulte el manual de instalación del fabricante OTR para obtener información sobre los espacios que deben quedar libres.

- El suministro de gas y la alimentación eléctrica deben estar dentro de la zona indicada en la "Ubicación de los Eléctricos y de Gas".
- El área sombreada detrás de la placa de cocción indica una oportunidad para que se decolore la pared trasera bajo ciertas condiciones de cocción.
- Debe haber una distancia lateral mínima de 5" (127 mm) entre el electrodoméstico y las superficies verticales combustibles a una altura de 36" (914 mm) sobre la cubierta.
- Los gabinetes de pared dentro de esta distancia lateral de 5" (127 mm) deben estar a 18" (457 mm) por encima de la encimera de 36" (914 mm) de altura.
- La máxima profundidad de los armarios colgados de cualquier lado de la campana es de 13" (330 mm).
- Se necesita un espacio libre mínimo de 36" (914 mm) entre la superficie de la estufa y la parte inferior de un armario no protegido. Se puede usar un espacio libre de 30" (762 mm) cuando el fondo de un armario de madera o de metal esté protegido por un material ignífugo de un grosor mínimo de ¼" (6,35 mm) cubierto por una lámina de acero 28 MSG, de acero inoxidable con un grosor de 0,015" (0,4 mm), de aluminio con un grosor de 0,024" (0,6 mm), o de cobre con un grosor de 0,020" (0,5 mm).
- Cuando la estufa se instala sobre una pared combustible, se requiere un espacio libre de un mínimo de 5 pulg. (127 mm) entre la estufa y la pared.
- No obstruya el flujo del aire de combustión y de ventilación del aparato.
- La altura de la estufa es ajustable. La superficie de la estufa debe estar a un nivel igual o superior al de la encimera.
- Para asegurar una ventilación adecuada, NO quite las patas de la estufa.
- Se deben sellar todas las aberturas situadas en la pared detrás de la estufa y en el piso debajo de la estufa.

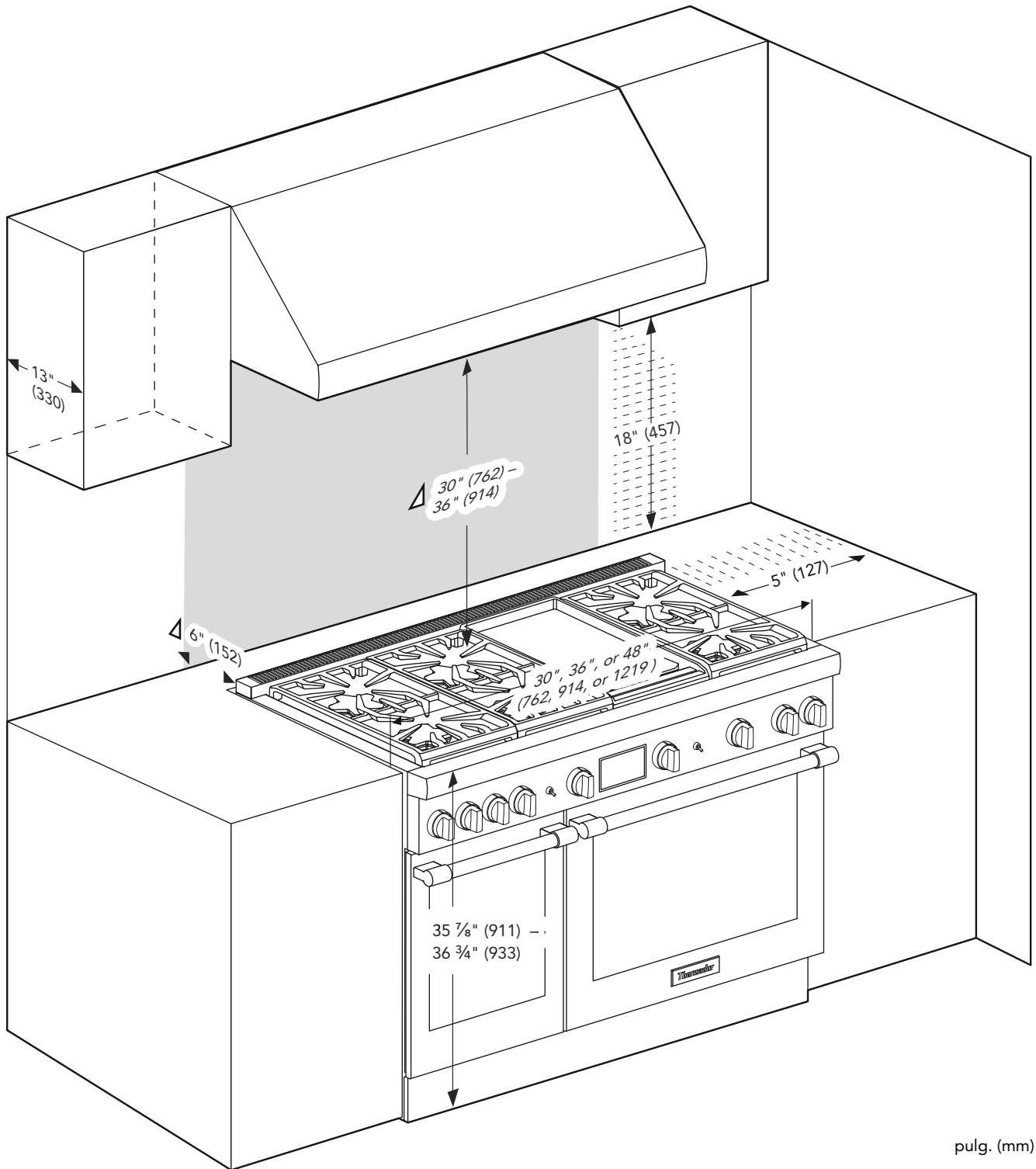
Requisitos de espacio libre trasera

- Para evitar manchas en la pared posterior, se recomienda el uso de materiales de construcción no porosos y de alta temperatura, adecuados para un ambiente de cocina.
- El modelo PCG305xx, PRG305xx, PRG304xx, PRD305xx, PRD304, y PRD606xx es adecuado para espacios libres traseros de 0" en superficies combustibles.
- Todos los demás modelos:
 - Cuando se utiliza el accesorio de isla incluido, el fabricante recomienda una separación trasera mínima de 6" (152 mm) respecto a una superficie combustible*.
 - Cuando se instale sobre una superficie combustible, se requiere una consola trasera de protección baja para una separación trasera de 0" para todos los modelos. Se debe comprar por separado una consola trasera de protección baja de Thermador.
 - Una separación trasera respecto a una superficie cubierta con un material no combustibles (metal, baldosas de cerámica, ladrillo, mármol o piedra)*^Δ es cero pulgadas.

**Las separaciones de menos de 6" (152 mm) deben ser aprobadas por los códigos locales y/o por la autoridad local competente.

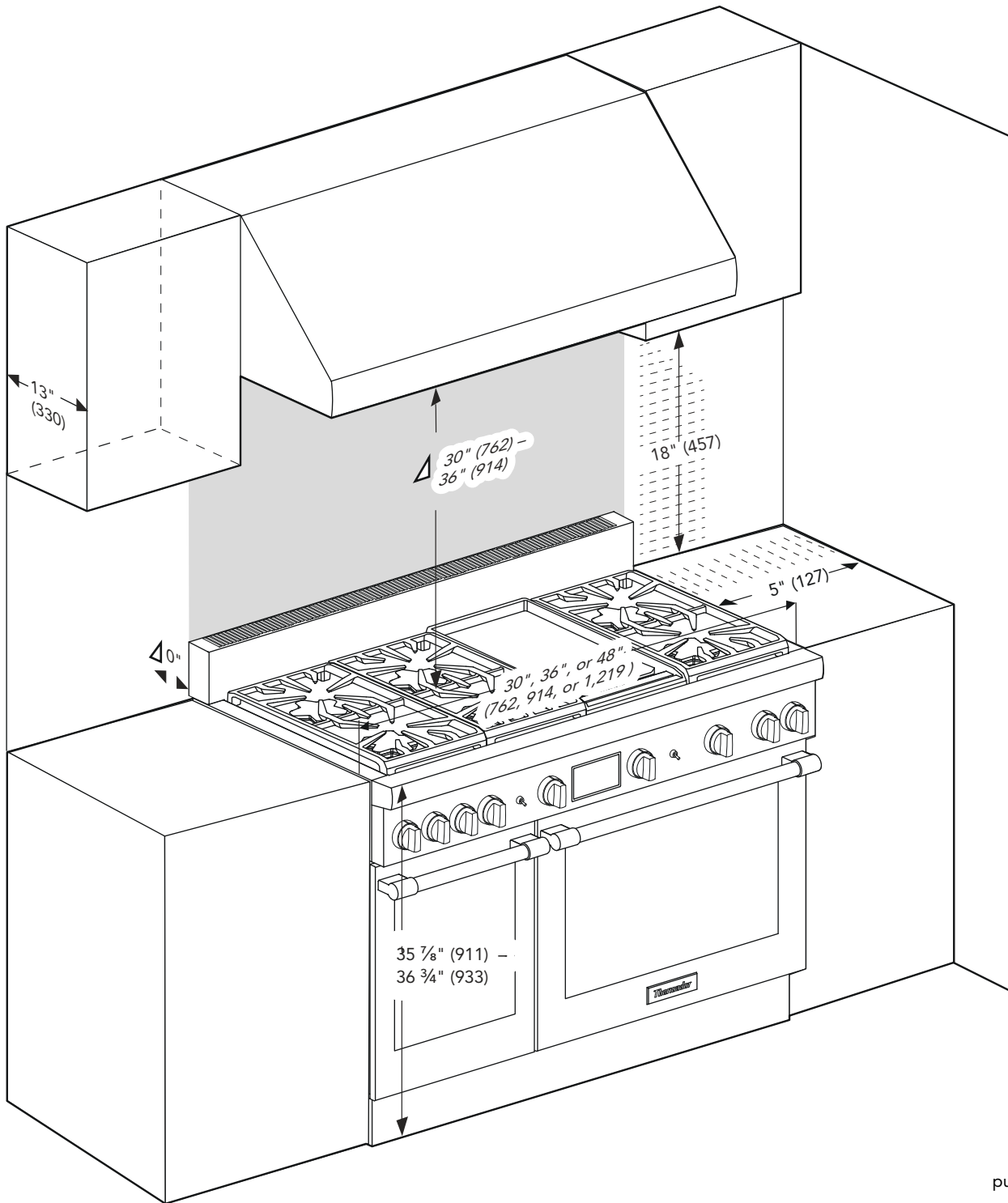
Δ Las separaciones de materiales no combustibles no son parte del alcance ANSI Z21.1 y no están certificadas por CSA.

Espacios libres con la adorno tipo isla
incluida



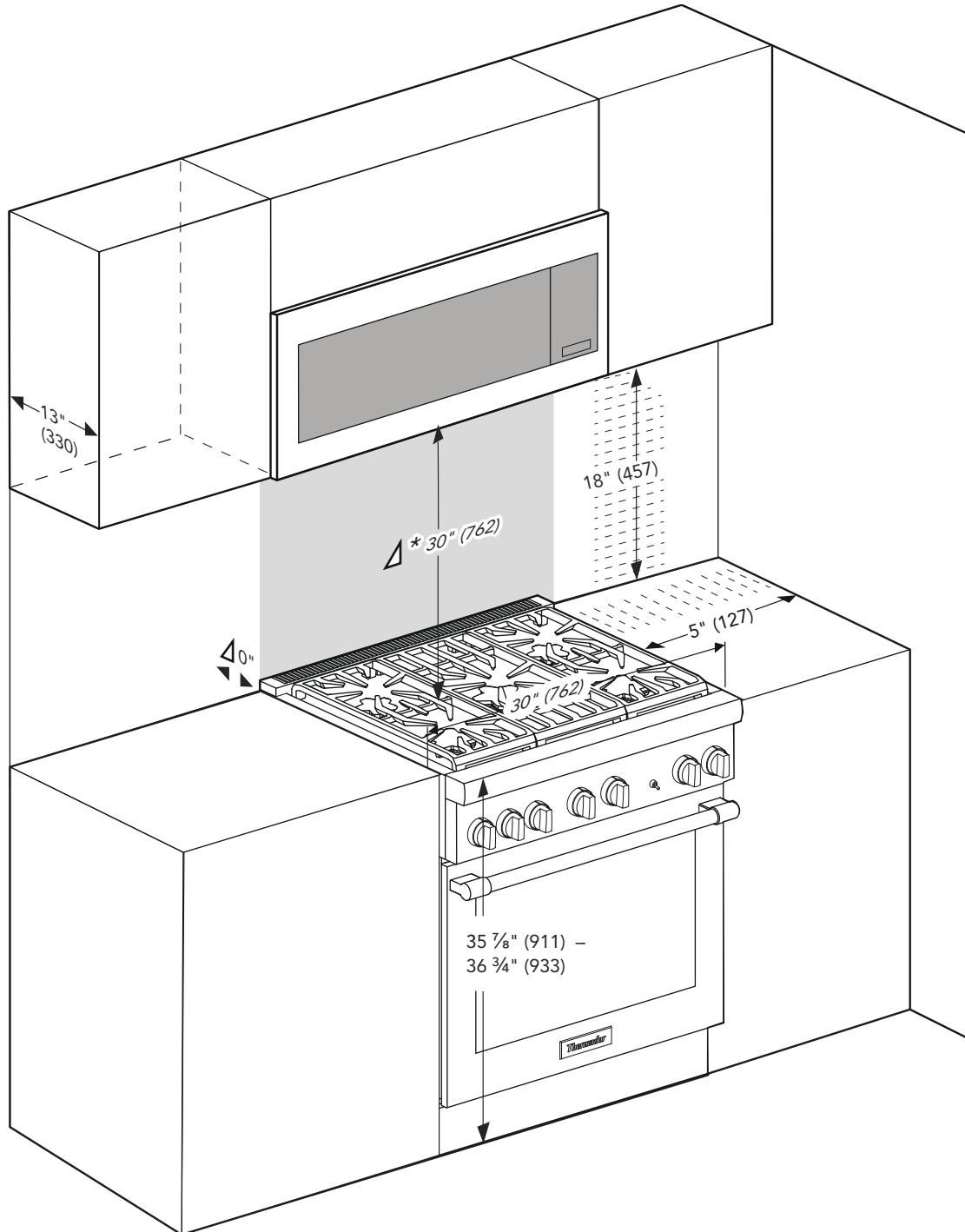
Δ Las separaciones de materiales no combustibles no son parte del alcance ANSI Z21.1 y no están certificadas por CSA. *Las separaciones de menos de 6" (152 mm) deben ser aprobadas por los códigos locales y/o por la autoridad local competente.

Espacios libres con la consola trasera baja



Δ Las separaciones de materiales no combustibles no son parte del alcance ANSI Z21.1 y no están certificadas por CSA. *Las separaciones de menos de 6" (152 mm) deben ser aprobadas por los códigos locales y/o por la autoridad local competente.

Espacios libres con un microondas instalado sobre la estufa

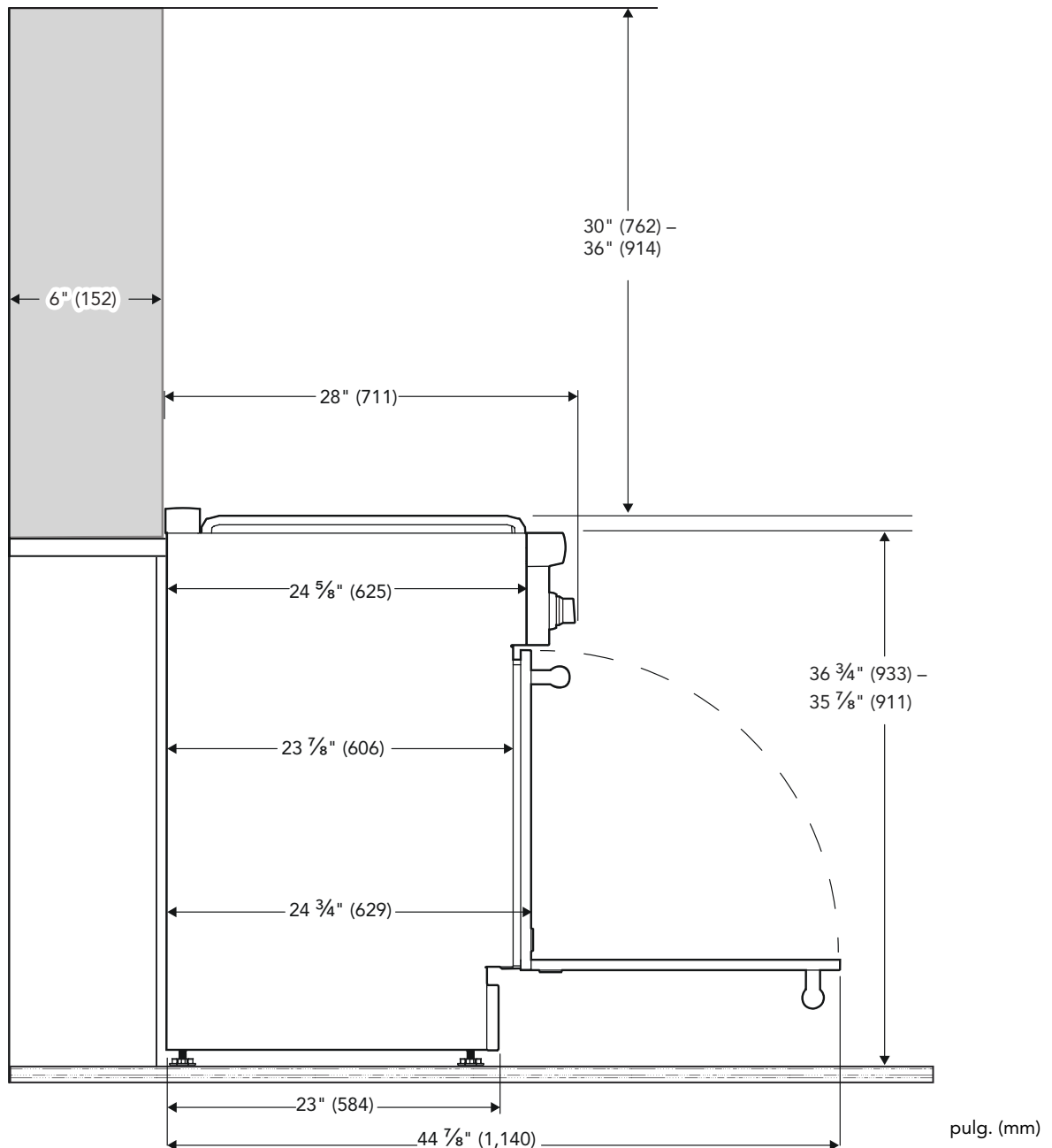


pulg. (mm)

Δ Las separaciones de materiales no combustibles no son parte del alcance ANSI Z21.1 y no están certificadas por CSA. *Las separaciones de menos de 6" (152 mm) deben ser aprobadas por los códigos locales y/o por la autoridad local competente.

- 30 pulg. (762 mm) min. parte inferior de la campana y la superficie de la estufa.
- Consulte el manual de instalación del microondas para conocer los espacios libres requeridos.

Espacio libre en pared lateral



- El modelo que se muestra es con adorno tipo isla incluido. Una opción de consola trasera baja está disponible (se compra por separado).
- Para las instalaciones con adorno de tipo isla, se requiere un saliente entre la encimera y el adorno.
- Si se usa una pared interior debajo del saliente, debería haber un espacio trasero de la estufa y la pared interior máx.
- Hay un espacio libre total de 44-7/8" (1140 mm).
- La zona sombreada detrás de la estufa indica el espacio libre mínimo hasta superficies combustibles; las materias combustibles no pueden colocarse dentro de esta zona.
- Hay una profundidad máxima de receso de 23-7/8" (606 mm).

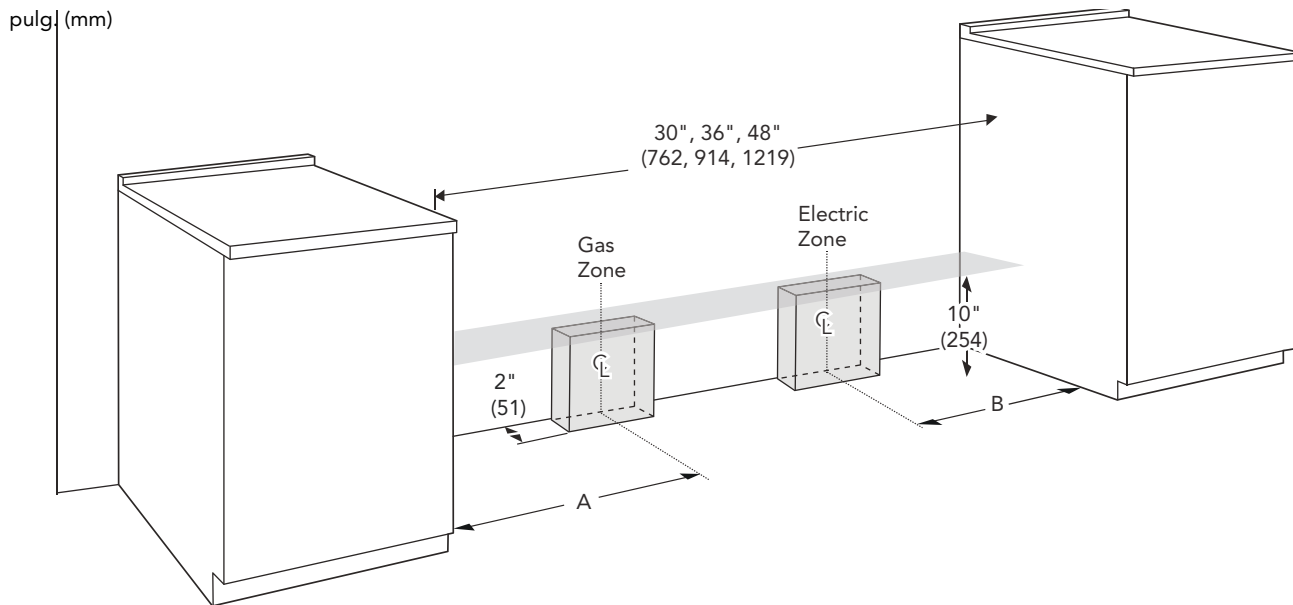
Ubicación de los eléctricos y de gas

Requisitos de gas y electricidad

- **IMPORTANTE:** Si aún no existe, instale una válvula manual de cierre de gas en un lugar de fácil acceso. Asegúrese de que todos los usuarios sepan dónde y cómo cerrar el suministro de gas de la estufa.
- Se debe usar una línea flexible de metal o una tubería de metal fija para conectar el gas al aparato. Si no se puede utilizar una línea de metal para el gas, se debe consultar a un electricista certificado local o los códigos eléctricos locales para realizar una conexión a tierra adecuada.
- Se deben sellar todas las aberturas situadas en la pared detrás de la estufa y en el piso debajo de la estufa.
- Se debe conectar la estufa solamente al tipo de gas para el cual está certificada. Cuando conecte el aparato a gas propano, asegúrese de que el tanque de gas propano venga con su propio regulador de alta

presión además del regulador de presión que se incluye con la estufa.

- El suministro eléctrico y de gas debe quedar dentro de la zona indicada.
- Se debe instalar una válvula manual externa de cierre de gas, en un lugar accesible desde el frente para cerrar el suministro de gas. La línea de suministro no debe interferir con la parte trasera de la unidad. Asegúrese de cerrar el suministro de gas en la válvula de cierre manual antes de conectar el aparato.
- La estufa viene con su propio regulador de presión que fue montado permanentemente dentro del cuerpo de la estufa.
- Para una instalación casi empotrada en la pared posterior, la línea de suministro de gas y el cable eléctrico no deben superar los 10 " (254 mm) sobre el piso.
- Cuando se conecta el cable de alimentación o el conducto al receptáculo de acoplamiento o a la cubierta de la caja de conexiones, el conector enchufe / receptáculo o la cubierta de la caja de conexiones / conducto no debe salir más de 2 pulg. (51 mm) de la pared trasera.



Modelo	A	B
30" (762 mm)	4 ½" (114 mm)	4 ½" (114 mm)
36" (914 mm)	6 – 7/16" (164 mm)	6 – 7/16" (164 mm)
48" (1,219 mm)	4 ½" (114 mm)	4 ½" (114 mm)

Desempacar y mover la estufa

⚠ PRECAUCIÓN



NO levante la estufa por la agarradera de la puerta, ya que esto puede dañar las bisagras de la puerta y causar que la puerta ya no quepa bien en la cavidad de la hornilla.



NO levante el aparato por el panel de control.

La estufa es pesada y se debe manejar en consecuencia. Para evitar lesiones y no dañar el aparato o el piso, se debe utilizar el equipo apropiado y por lo menos dos personas equipadas adecuadamente para mover la estufa.

Dichas personas deben llevar guantes de protección y evitar llevar anillos, relojes u otros objetos parecidos que pueden dañar o engancharse en el aparato.

Las superficies ocultas del aparato pueden tener salientes cortantes. Tenga cuidado al sujetar el aparato por debajo o por atrás.

No use una carretilla de mantenimiento manual o un carro para electrodoméstico en las partes frontal o trasera del aparato. Úselos únicamente en los lados.

Desempacar la estufa

NOTA:

- Una vez montado el electrodoméstico, se podrá retirar la lámina protectora para examinar el panel de control.
- No levante el aparato por el panel de control.

Para desempaquetar el dispositivo

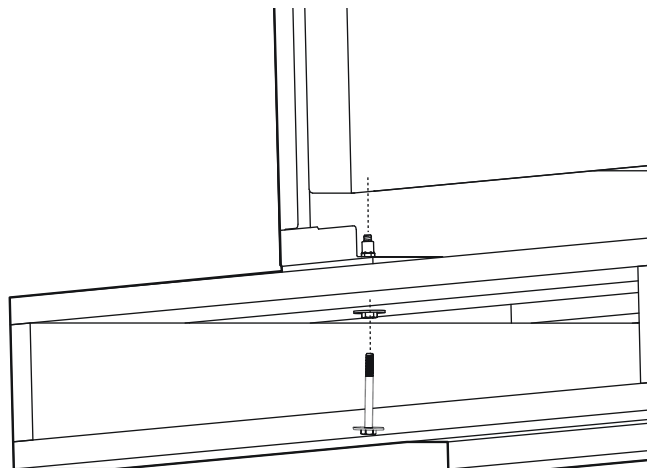
1. Quite la caja exterior de cartón y el material de empaque de la plataforma de expedición.
2. Pero deje las láminas de espuma adhesivas encima de las superficies de metal cepillado para proteger el acabado contra los rasguños hasta colocar la estufa en su posición final.
3. Se deben quitar las rejillas, la plancha, las tapas de los quemadores y las rejillas de la hornilla para facilitar el manejo.
4. Si lo desea, puede también quitar las puertas de la hornilla (consulte el "Quitar y reinstalar la puerta").

Mover la estufa

Debido al peso se debe usar una carretilla con ruedas suaves para transportar esta unidad. El peso debe quedar soportado uniformemente sobre la parte inferior.

Quitar los pernos de la tarima

1. Para quitar los cuatro (4) pernos de la tarima que se ubican en la parte inferior, delante y detrás, utilice una llave inglesa o de carraca de 7/16 pulg. Tire los trozos de madera del embalaje.



2. Levante la estufa y retírela de la tarima. Pida ayuda si hace falta.
3. Con un carro, desplace la estufa hasta el lugar donde la quiere instalar. No transporte la estufa apoyando la parte frontal sobre el carro.
4. Puede apoyar la estufa sobre sus patas traseras para retirar el carro con toda seguridad. **PROTEJA EL SUELO BAJO LAS PATAS TRASERAS ANTES DE EMPUJAR EL APARATO EN EL LUGAR DE INSTALACIÓN.**

Instalación del dispositivo antivuelco (necesaria)

Para todas las estufas, se debe instalar un dispositivo antivuelco siguiendo las instrucciones.

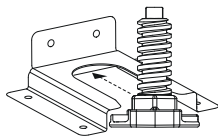
⚠ ADVERTENCIA



RIESGO DE VUELCO DE LA ESTUFA:



- Un niño o un adulto podrían volcar el aparato y perder la vida.
- Asegúrese de que el dispositivo antivuelco esté instalado adecuadamente y que su soporte retenga la pata del aparato, conforme a las instrucciones de instalación.
- Asegúrese de que el dispositivo antivuelco retenga la pata del aparato al reinstalarlo en su sitio.
- No utilice el aparato si el dispositivo antivuelco no está instalado y no retiene el aparato.
- El hecho de no leer las instrucciones de este manual puede causar la muerte o graves quemaduras a niños y adultos.
- Cuando jale la estufa de la pared por motivos de limpieza, servicio u otra razón, asegúrese de volver a insertar correctamente el dispositivo antivuelco cuando empuje la estufa contra la pared. Sino, en el caso de un uso poco normal de la estufa (por ejemplo si alguien trepa, se sienta o se apoya sobre una puerta abierta), ésta podría volcarse. El hecho de ignorar esta precaución puede causar el vuelco de la estufa, lo que podría causar lesiones debido a líquidos calientes derramados o al peso mismo de la estufa.



⚠ ADVERTENCIA

RIESGO DE DESCARGA ELÉCTRICA

- Tenga mucho cuidado cuando perforo orificios en una pared o en el piso ya que puede haber cables eléctricos ocultos.
- Identifique los circuitos eléctricos que podrían encontrarse en el sitio donde se instalará el dispositivo antivuelco y apague la corriente de estos circuitos.
- La falta de observar estas instrucciones puede causar una descarga eléctrica o lesiones graves.

IMPORTANTE:

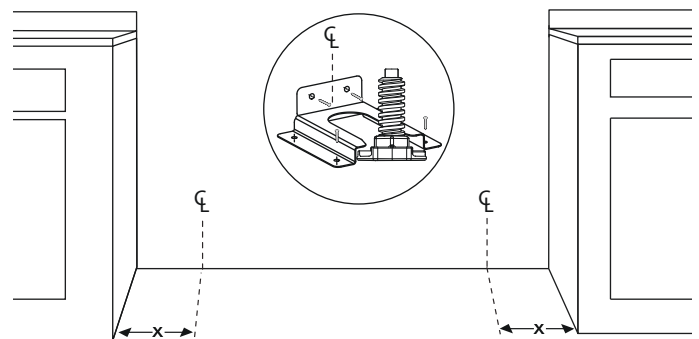
- Los elementos de fijación proporcionados sirven para instalar el aparato fijándolo a travesaños de madera de un tamaño estándar. Para los otros tipos de

instalación, el instalador debe proporcionar los elementos de fijación.

- Contacte a un instalador o contratista cualificado para determinar el mejor método para perforar los orificios a través de la pared o del piso teniendo en cuenta el material (cerámica, madera dura, etc.).
- Se puede fijar el soporte antivuelco a una superficie de madera dura siempre que el tamaño mínimo de la pared sea de 3/4 pulg. (19 mm).
- El grosor de la pared o del piso puede requerir tornillos más largos, disponibles en su ferretería local.
- En todo caso, se deben fijar por lo menos dos tornillos de montaje a la superficie de madera dura.
- Use taquetes apropiados cuando fija el soporte antivuelco a cualquier material diferente que madera o metal.
- Si se mueve la estufa a un lugar nuevo, se debe quitar y reinstalar el dispositivo antivuelco.

Instalar el soporte antivuelco

1. Ubique el soporte antivuelco en el paquete de documentación, dentro de la caja que estaba encima del aparato.
2. Coloque el soporte sobre el piso en la posición indicada en la Figura. Se puede usar un soporte en una de las esquinas del área de instalación.
3. Para paredes, pernos de pared o pisos hechos de madera sólida o metal, perforo orificios de 1/8 pulg (3 mm).
4. Fíjelo al suelo y a un travesaño con los (4) tornillos estrella de 1,5 pulg. (38 mm) proporcionados.



Modelo	Distancia de X
30"	1-3/4" (45 mm)
36"	2-3/16" (56 mm)
48"	1-3/4" (45 mm)

Luego, cuando la unidad está instalada, la pata ajustable se desliza debajo del soporte.

Requerimientos de gas y conexiones

⚠ PRECAUCIÓN

Cuando conecte el aparato a gas propano, asegúrese de que el tanque de gas propano venga con su propio regulador de alta presión además del regulador de presión que se incluye con la estufa. La máxima presión de gas de este aparato no debe exceder 14.0 pulgadas (34.9 mb) de columna de agua entre el tanque de gas propano y el regulador de presión.

⚠ ADVERTENCIA

No use ningún tipo de llama para verificar si hay fugas de gas.

⚠ PRECAUCIÓN

El aparato debe estar aislado del sistema de tubería de suministro de gas cerrando la válvula manual de cierre durante cualquier prueba de la línea de suministro de gas a presiones de prueba igual a o inferior a 1/2 psi (3,5kPa.).

Verifique el tipo de gas que se está usando en el lugar de instalación. Asegúrese que la estufa coincide con el tipo de gas disponible en este lugar.

Un técnico competente debe realizar las conexiones del suministro de gas conforme a los códigos y regulaciones locales. A falta de códigos locales, la instalación debe estar conforme al Código Nacional de Gas Combustible ANSI Z223.1/NFPA54- edición actual.

Altitudes elevadas

Este aparato tiene la certificación CSA para un funcionamiento seguro a altitudes de hasta 10 100 pies (3 078 m) sobre el nivel del mar.

Se requiere un kit para gran altitud si se va a usar gas natural por encima de 5,400 pies (1,646 m) de altura sobre el nivel del mar, y si se va a usar gas LP por encima de 10,000 pies (3,048 m) de altura sobre el nivel del mar.

Si se desea, para altitudes superiores a 2,000 pies (610 m) sobre el nivel del mar, se pueden hacer ajustes a los quemadores de la estufa con un kit de ajuste. Si el rendimiento de la llama es satisfactorio, no será necesario realizar ningún ajuste.

Se requiere que un profesional certificado realice los ajustes de la instalación a gran altitud.

Consultar la contraportada para obtener información sobre mantenimiento, piezas y accesorios.

Requerimientos gas

Requerimientos para gas natural:

- Conexión entrada: 1/2" NPT (conducto flexible de 3/4" diámetro)
- Presión suministro: 7" a 14" columna de agua (17.4 a 34.9 mb)
- Presión manifold: 5" columna de agua (12.5 mb)

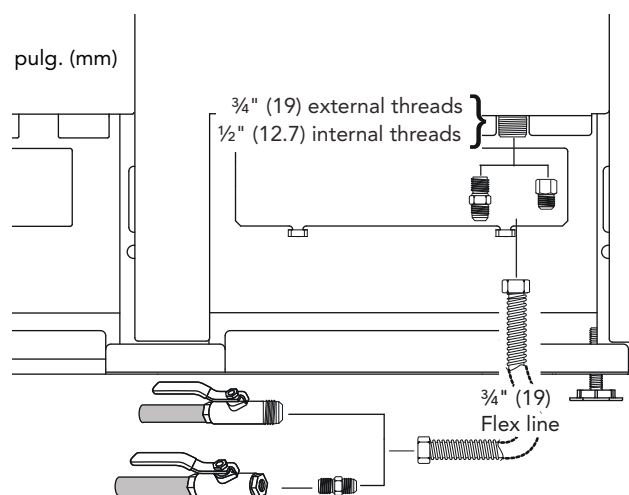
Requerimientos para gas propano:

- Conexión entrada: 1/2" NPT (conducto flexible de 3/4" diámetro)
- Presión suministro: 11" a 14" columna de agua (14.9 a 34.9 mb)
- Presión manifold: 10" columna de agua (24.9 mb)

Conexión

Para conectar el gas

1. Asegurarse de que la válvula de cierre del gas esté en posición OFF.
2. Utilice una línea flexible de 3/4" entre el suministro de gas y la línea de suministro del aparato. La línea de suministro de gas está ubicada en la parte inferior derecha de todas las estufas. La línea de suministro de gas del aparato es de tipo NPT 1/2".
 - Tenga cuidado de no torsionar la manguera flexible de 3/4" cuando haga dobleces. La longitud sugerida de la manguera es de 48" (1,20 m), sin embargo, por favor revise los códigos locales para los requerimientos en su área antes de la instalación.



3. Utilice compuesto para juntas de tubería o cinta Teflon en la rosca de los tubos. No aplique dicho compuesto o cinta para agrandar las juntas. Tenga cuidado de no aplicar demasiada presión al apretar las juntas.
4. Las pruebas de fugas del aparato deben estar conforme a las siguientes instrucciones.
 - Prenda el gas y revise las conexiones de la línea desuministro para ver si hay fugas usando una solución con agua y jabón.
 - Burbujas que aparecen indican una fuga de gas. Repare todas las fugas de inmediato.

Requerimientos eléctricos y conexión para unidades de gas

⚠ ADVERTENCIA

Desconecte la corriente antes de la instalación. Antes de Prender (ON) la corriente, asegúrese que todos los controles estén en la posición Apagado (OFF). Desenchufar o desconectar siempre el aparato de la red eléctrica antes de realizar cualquier trabajo.

⚠ ADVERTENCIA

Este electrodoméstico debe estar conectado a tierra física.

⚠ ADVERTENCIA

Instrucciones para la conexión a tierra

Este aparato está equipado con un enchufe de conexión a tierra de tres clavijas para proteger contra los riesgos de descargas eléctricas y debe conectarse directamente a un enchufe con toma de tierra. No cortar ni quitar la clavija de conexión a tierra de este enchufe.

⚠ PRECAUCIÓN

Un aterrizaje o polarización incorrecta causará un mal funcionamiento (como chispas continuas de los encendedores). Esto puede dañar el aparato y crear el riesgo de una descarga eléctrica. Si el circuito no está correctamente aterrizado y polarizado, es la responsabilidad y obligación del instalador y usuario cambiar la tomacorriente existente a una tomacorriente correctamente aterrizada y polarizada. Un eléctrico calificado debe hacerlo conforme a todos los códigos y regulaciones locales que aplican. A falta de códigos y regulaciones locales, la tomacorriente debe quedar conforme al Código Eléctrico Nacional.

INSTALADOR – muestre al propietario la localización del interruptor de circuito o fusible. Márquelo para referencia fácil.

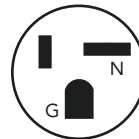
Conexión eléctrica de la unidad de gas

Requisitos del circuito de alimentación eléctrica

NEMA 5-15



NEMA 5-20



El cable suministrado junto con las gamas de gas que incluyen una plancha o grill eléctricos requiere un receptáculo NEMA 5-20. Las demás unidades de gas requieren un receptáculo NEMA 5-15.

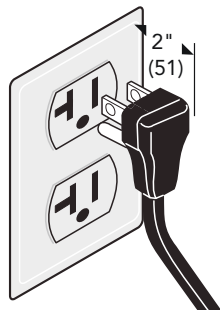
Modelo	Voltaje	Circuito específico	Fase
Pxx305Wx	120 VAC	15 Amps	Mono.
Pxx366Wx	120 VAC	15 Amps	Mono.
Pxx364WDx	120 VAC	20 Amps	Mono.
Pxx364WLx	120 VAC	20 Amps	Mono.
Pxx486WDx	120 VAC	20 Amps	Mono.
Pxx486WLx	120 VAC	20 Amps	Mono.

- Antes de conectar un cable de corriente, asegúrese de que todos los interruptores estén en posición de OFF.
- Antes de instalar, apague el panel de servicio. Trabe el panel de servicio para prevenir el encendido accidental. Antes de dar servicio al aparato, siempre desconecte el aparato de la alimentación eléctrica, ya sea desenchufando el cable de alimentación o apagando el interruptor.
- Se deben enchufar todos los modelos con parrilla de 120 Volts en una tomacorriente correspondiente a 3 clavijas, conectada a tierra física. La tomacorriente debe estar conectada a una fuente de alimentación correctamente aterrizada y polarizada en un circuito de 120VAC, monofásico, 60Hz.

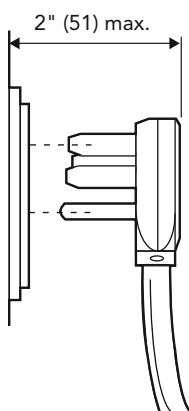
- Observe todos los códigos y regulaciones durante la puesta a tierra. A falta de estos códigos y regulaciones, observe el Código Eléctrico Nacional ANSI/NFPA No. 70 edición actual.

- El cable de alimentación no debe salir más de 2 pulg. (51 mm) de la pared trasera.

NOTA: El tipo de tomacorriente puede variar.



- Montar el receptáculo de forma segura en una pared de entramado y luego sellar los alrededores de la carcasa del receptáculo.



Al usar un receptáculo podría ser necesario colocar la carcasa del receptáculo en la pared trasera. Consultar el código eléctrico local para determinar el volumen mínimo de todas las cajas eléctricas / de conexiones. Respetar todos los códigos eléctricos locales, las normas y/o el código nacional eléctrico (si existe).

Mixtas conexión eléctrica

⚠ ADVERTENCIA

Una fuente de alimentación incorrecta de 240/208 VAC causará el mal funcionamiento de este aparato, dañará la estufa y podría presentar un riesgo de descarga eléctrica.

⚠ ADVERTENCIA

Este electrodoméstico debe estar conectado a tierra física.

- Antes de realizar la instalación, desconectar la alimentación eléctrica en el panel de servicio. Bloquear el panel de servicio para impedir que se conecte accidentalmente la alimentación eléctrica.
- Antes de dar servicio al aparato, siempre debe desconectar el cable de alimentación eléctrica de la tomacorriente en la pared. Si el aparato está conectado en forma directa a la fuente de alimentación, desconecte la electricidad a la unidad apagando el cortacircuitos correcto o desconectando el fusible correcto. Bloquee el panel de servicio para prevenir que la corriente se encienda accidentalmente.
- Se debe proporcionar un cable neutral de alimentación de la fuente de alimentación (cortacircuitos/panel de fusibles) porque los componentes críticos de la estufa, incluyendo los módulos de reencendido por chispa de los quemadores superficiales, requieren de para funcionar correctamente.

Voltaje	Circuito	Frecuencia	Fase
240/208 VAC	50 Amps	60 Hz.	Single

- Cuando el circuito eléctrico correcto no es adecuado, es responsabilidad y obligación del instalador y del usuario hacer conectar una fuente de alimentación apropiada por un técnico cualificado. Incumbe al instalador asegurarse de la observación de los códigos locales. La instalación debe estar hecha conforme a todos los códigos y regulaciones locales aplicables. A falta de códigos locales, la conexión de la fuente de alimentación debe ser conforme al Código Eléctrico Nacional.
- La toma de tierra debe estar hecha conforme a todos los códigos vigentes. Sino, se debe aplicar la norma de electricidad ANSI/NFPA No 70 (EEUU) vigente. Consulte la información de la presente sección para conocer el método de toma de tierra a utilizar.
- Los diagramas eléctricos a los que debe recurrir el técnico de servicio cualificado se encuentran detrás del adorno de la puerta de la hornilla.
- Se deben conectar las estufas a la alimentación eléctrica de 240/208 VCA.
- Se deben conectar los modelos de estufas mixtas a la fuente de alimentación eléctrica utilizando uno de los siguientes métodos. Para todos los métodos de conexión, la longitud del cable o del conducto / cableado debe permitir que la unidad pueda sacarse completamente de los armarios sin que se tenga que desenchufar o desconectar el aparato de la fuente de alimentación.
- La longitud mínima recomendada para el cable o conducto es de cuatro pies. Las instalaciones eléctricas y la toma de tierra deben estar conformes a todos los códigos y regulaciones locales, o al Código Eléctrico Nacional, según el caso.

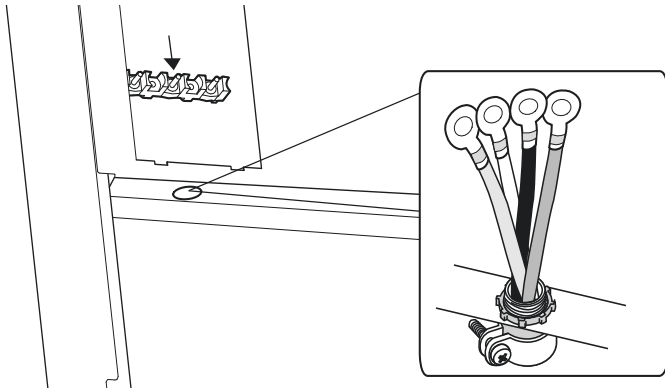
Conexión de 4 cables

Este aparato está listo para su inmediata instalación gracias al cordón de cuatro cables y el tomacorriente con que se fabricó. Si el cordón está dañado o debe reemplazarse, utilice un cordón (UL, CSA, ...) TRIFÁSICO de CUATRO CONDUCTORES de 125/250 voltios conectado a un CIRCUITO DEDICADO DE 50 AMPERIOS e indicado para su uso con estufas.

Se debe fijar el cable a la caja de conexiones de la estufa con un prensacables que cabe en un orificio de un diámetro de 1". Si no viene ya equipado, el cable debe tener lengüetas cerradas de 1/4", fijadas a los extremos libres de los conductores individuales, de preferencia soldadas en su lugar.

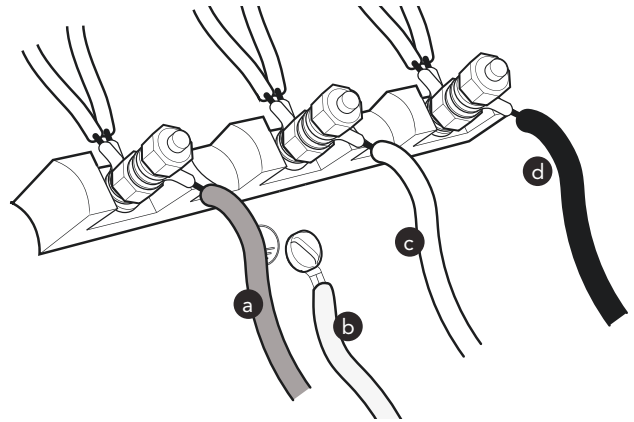
Configurar una conexión de 4 hilos

1. Localice la caja de conexiones en la parte trasera del aparato y quite la cubierta.
2. Quite las tuercas superiores solamente de los bornes de la caja de conexiones. No quite las tuercas inferiores que fijan los cables del cableado interno a la estufa.
3. Instale el prensacables (no incluido con la estufa) en el orificio de 1 pulg. (6 mm) de diámetro situado en el panel trasero, debajo de la caja de conexiones. Pase los cables por el prensacables.



4. Fije el cable neutro de toma de tierra del circuito de alimentación al contacto central de la caja de conexiones con una tuerca.
5. Fije los conductores de alimentación L1 (rojo) y L2 (negro) a los contactos de la caja de conexiones exterior (color latón) con tuercas.
6. Quite el tornillo verde del cable de toma de tierra situado debajo de la caja de conexiones. Tire del cable blanco.

7. Fije el cable desnudo de cobre de toma de tierra al chasis de la estufa utilizando el tornillo de toma de tierra previamente usado con el cable blanco. Asegúrese de que los bornes de neutro y de toma de tierra no hagan contacto.
8. Apriete bien todas las conexiones.



- a – Rojo L1
b – Cable verde de toma de tierra
c – Blanco (neutro)
d – Negro L2

9. Reinstale la cubierta de la caja de conexiones.

Conexión de 3 cables

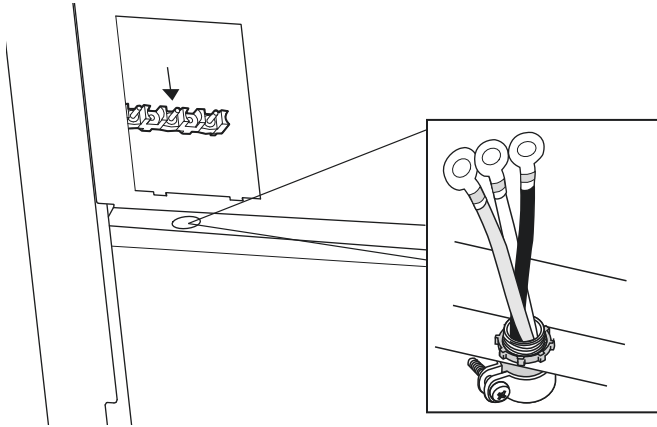
Este aparato está listo para su inmediata instalación gracias al cordón de cuatro cables y el tomacorriente con que se fabricó. Sin embargo, cuando las normas y los códigos locales permiten realizar la toma de tierra mediante un cable neutro y no se puede hacer una conversión para una conexión con un cordón de cuatro cables, se puede conectar el aparato con un cordón (UL, CSA,...) TRIFÁSICO de TRES CONDUCTORES de 125/250 voltios conectado a un CIRCUITO DEDICADO DE 50 AMPERIOS e indicado para su uso con estufas.

Fije el cable a la caja de conexiones de la estufa con un prensacables que quepa en un orificio de un diámetro de 1 pulg. (25,4 mm). Si no es el caso, el cable debe tener lengüetas cerradas de 1/4 pulg. (6 mm), fijadas a los extremos libres de los conductores individuales, preferentemente soldadas en su lugar.

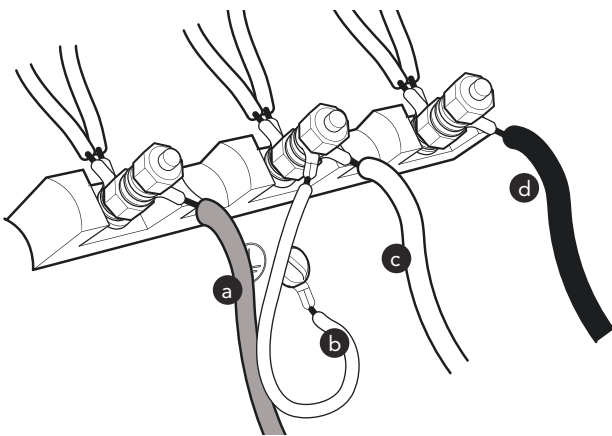
Configurar una conexión de 3 hilos

1. Localice la caja de conexiones en la parte trasera del aparato y quite la cubierta.

2. Instale el prensacables (no incluido con la estufa) en el orificio de 1 pulg. (6 mm) de diámetro situado en el panel trasero, debajo de la caja de conexiones. Pase los cables por el prensacables.



3. Quite solamente las tuercas superiores de los contactos de la caja de conexiones. No quite las tuercas que fijan los cables del cableado interno de la estufa.
4. Fije el cable neutro de tierra del circuito de alimentación al contacto central (color plata) de la caja de conexiones.
5. Fije los conductores de alimentación L1 (rojo) y L2 (negro) a los contactos correspondientes de la caja de conexiones exterior (color latón) con tuercas.
6. Fije una de las extremidades del cable neutro lazado, situado debajo de la caja de conexiones, al contacto central de la caja de conexiones con una tuerca y fije la otra extremidad a la parte trasera de la estufa.
7. Apriete bien las tuercas.



- a – Rojo L1 b – Cable verde de toma de tierra
 c – Blanco (neutro) d – Negro L2

8. Reinstale la cubierta de la caja de conexiones.

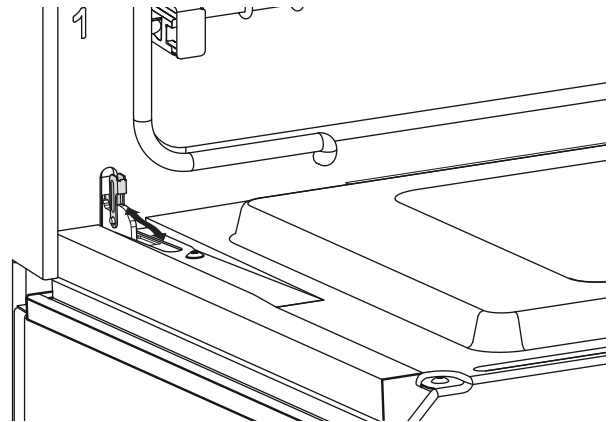
Quitar y reinstalar la puerta

⚠ PRECAUCIÓN

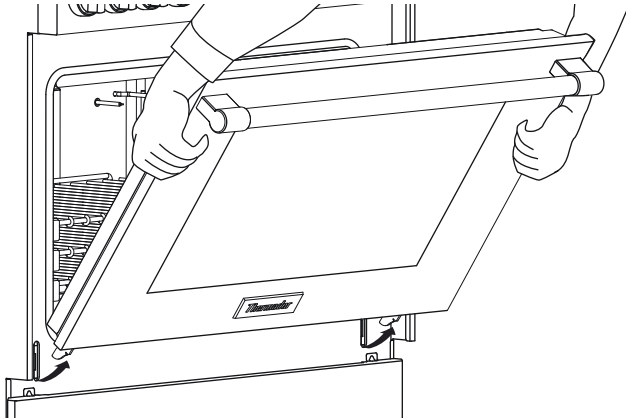
- **PRECAUCIÓN CUANDO ELIMINAR LA PUERTA. LA PUERTA ES PESADA.**
- Asegúrese de que la hornilla esté fría y que la corriente esté desconectada antes de quitar la puerta. De otro modo podría recibir una descarga eléctrica o quemarse.
- La puerta de la hornilla pesa mucho y es frágil. Use ambas manos para quitar o reinstalar la puerta.
- Si no agarra la puerta de la hornilla firme y correctamente, podría lesionarse o dañar el producto.
- Nunca suelte la agarradera de la puerta de la hornilla para intentar cerrar las bisagras cuando ha quitado la puerta. Sin el peso de la puerta, los poderosos resortes cerrarán las bisagras con mucha fuerza.

Cómo extraer la puerta del horno

1. Asegúrese de leer la advertencia aquí arriba antes de quitar la puerta.
2. Abra completamente la puerta.
3. Empuje los soportes de las bisagras hacia abajo. Puede ser que necesite un destornillador para hacerlas bascular.



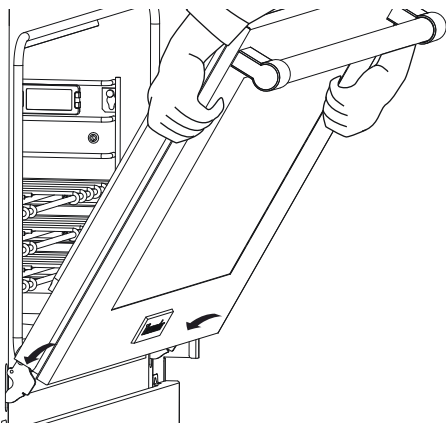
4. Cierre la puerta despacio hasta apoyarla contra los soportes de las bisagras. Cuando éstas están en posición abierta, la puerta se queda abierta a un ángulo de unos 30° respecto a su posición cerrada.
5. Agarre la puerta de los extremos y levántela. Los resortes ofrecerán un poco de resistencia.



6. Guarde la puerta en un lugar seguro y estable.

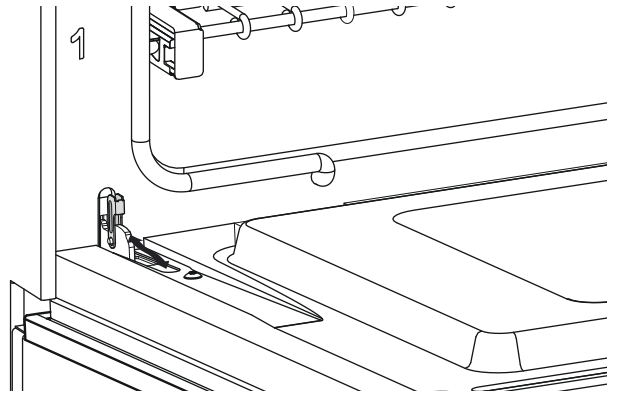
Volver a montar la puerta o puertas del horno

1. Sujete la puerta firmemente con sus dos manos.
2. Coloque la puerta en un ángulo de 30° respecto a su posición cerrada. Inserte las bisagras centrándolas en las ranuras. Cuando se instalan correctamente, los soportes se agarran sólidamente en las ranuras. No fuerce o tuerza la puerta.



3. Abra completamente la puerta para exponer las bisagras, las palancas y las ranuras.

4. Haga bascular las bisagras hacia delante y por abajo hasta apoyarlas en las ranuras. Puede ser que necesite un destornillador para volver a poner los soportes a su sitio.



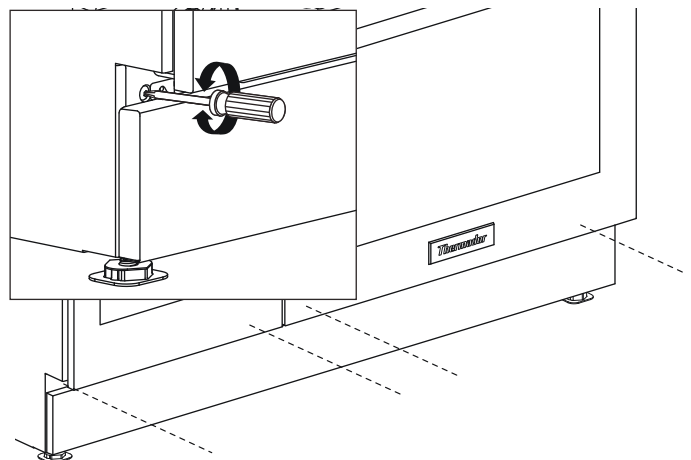
5. Cerrar y abrir la puerta lentamente para asegurarse de que está bien colocada y de forma segura.

Verificación de la instalación y del funcionamiento de la puerta

1. Abra y cierre la puerta lentamente para asegurarse de que se mueva normalmente y que esté ajustada a la cavidad de la hornilla. No fuerce para abrir o cerrar la puerta. Si está bien instalada, debería moverse fácilmente y, cuando está cerrada, estar alineada con la parte frontera de la hornilla.
2. La estufa debe estar nivelada para que se alineen adecuadamente las puertas de la hornilla.
3. Si no funciona adecuadamente, asegúrese de que las bisagras descansen en sus ranuras y que los soportes estén en el fondo de las ranuras.

Si la puerta o la agarradera parecen levemente desniveladas

4. Puede ajustar su inclinación apretando o aflojando el tornillo se encuentra directamente encima de la ranura de la bisagra. Apriétela o aflójela según el ajuste que haga falta para alinear correctamente la puerta.



Instalación de la consola trasera

⚠ ADVERTENCIA

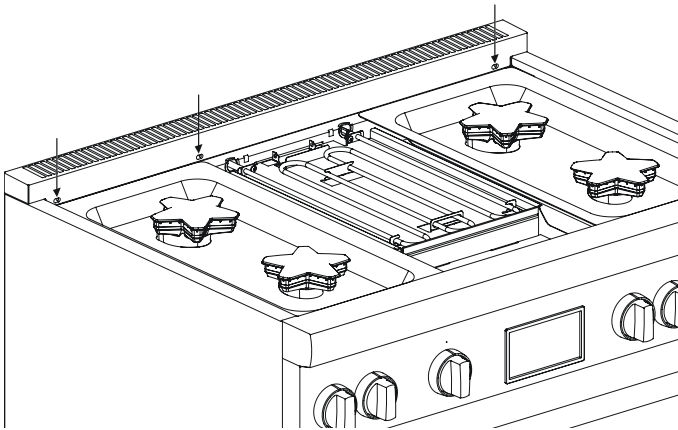
Tenga cuidado para no pellizcarse los dedos o las manos al instalar la consola trasera. Podría lesionarse gravemente. Lleve guantes de protección gruesos para evitar cortarse o lastimarse los dedos o las manos al deslizar la consola sobre la estufa.

⚠ ADVERTENCIA

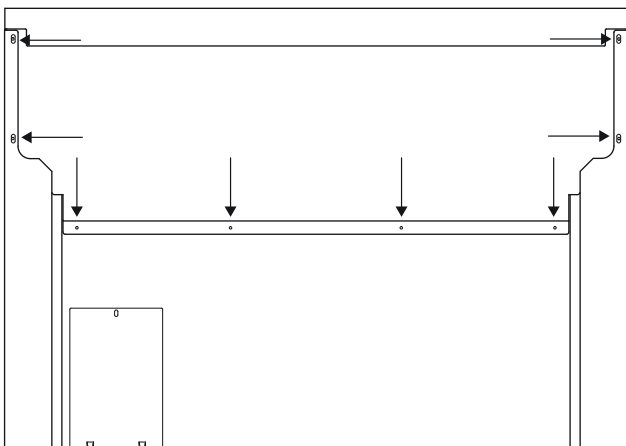
Para reducir el riesgo de incendio, retirar toda la cinta y el embalaje antes de usar el electrodoméstico.

Instalación de la consola trasera

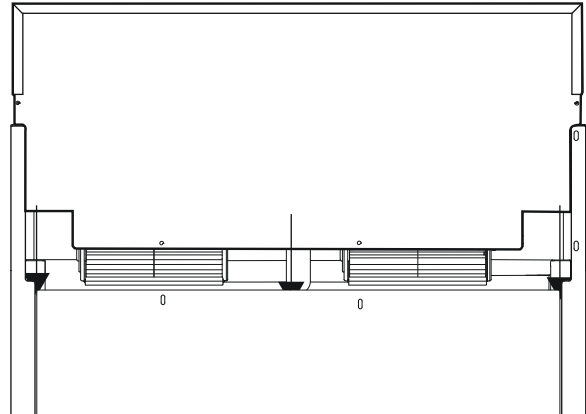
1. Según el modelo, quite los tres o cuatro tornillos Torx T-20 de acero inoxidable de la cara frontal del adorno tipo isla proporcionado.



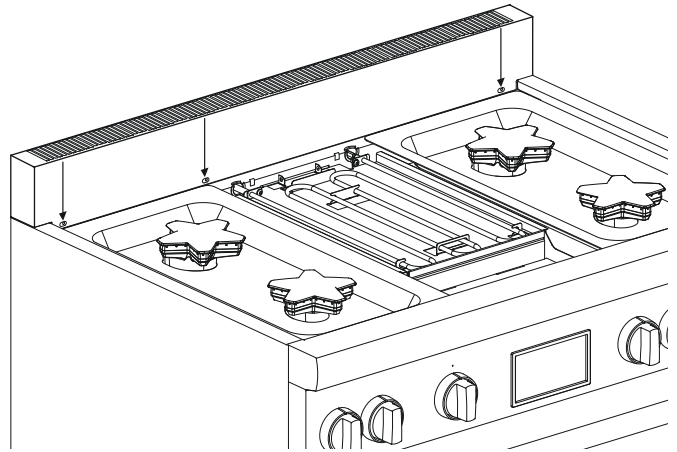
2. Quite los cuatro tornillos de punta que retienen el adorno a los paneles laterales y los dos o cuatro tornillos de punta que retienen la placa trasera en su sitio. Levante el adorno para quitarlo totalmente.



3. Alinee el panel trasero del nuevo accesorio con las pestañas de los rincones de izquierda y derecha de los paneles laterales. La consola trasera se inserta en los canales guías situados detrás de la estufa.



4. Asegúrese de que la parte frontal de la consola esté fuera de la pestaña en la parte delantera de la estufa.

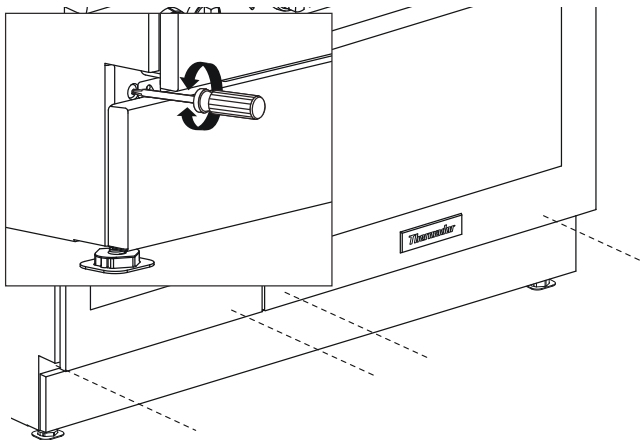


5. Vuelva a instalar los tornillos que quitó en los pasos 1 y 2.

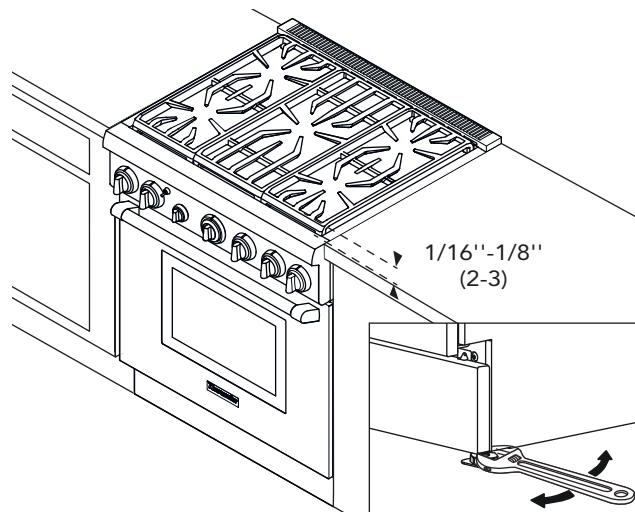
Verificación de la instalación y del funcionamiento de la puerta

1. Abra y cierre la puerta lentamente para asegurarse de que se mueva normalmente y que esté ajustada a la cavidad de la hornilla. No fuerce para abrir o cerrar la puerta. Si está bien instalada, debería moverse fácilmente y, cuando está cerrada, estar alineada con la parte frontera de la hornilla.
2. La estufa debe estar nivelada para que se alineen adecuadamente las puertas de la hornilla.
3. Si no funciona adecuadamente, asegúrese de que las bisagras descansen en sus ranuras y que los soportes estén en el fondo de las ranuras.

- Si la puerta o la agarradera parecen levemente desniveladas, puede ajustar su inclinación apretando o aflojando el tornillo se encuentra directamente abajo de la ranura de la bisagra. Apriétela o aflójela según el ajuste que haga falta para alinear correctamente la puerta.



superiores de los paneles laterales de la estufa estén aproximadamente a la misma altura que la encimera.



Colocar y nivelar la estufa

⚠ PRECAUCIÓN

Los bordes superiores de los paneles laterales de la estufa deben estar a la misma altura o más altos que la encimera adyacente. Si se usa la estufa a una altura más baja que la encimera adyacente, los armarios podrían estar expuestos a temperaturas excesivas, lo que podría dañar la encimera y los armarios.

- En el momento de instalar la estufa en su posición final, asegúrese de que del soporte antivuelco se inserte correctamente.
- Para lograr una instalación exitosa, puede ser necesario que tenga que volver a colocar la línea de suministro de gas y los cables eléctricos según va empujando la estufa hacia su posición final. Para conseguirlo, le sugerimos jalar cuidadosamente el suministro de gas y el cable eléctrico con una cuerda o un cordel mientras empuja la estufa hacia su posición final.

Ajuste de las patas de nivelación

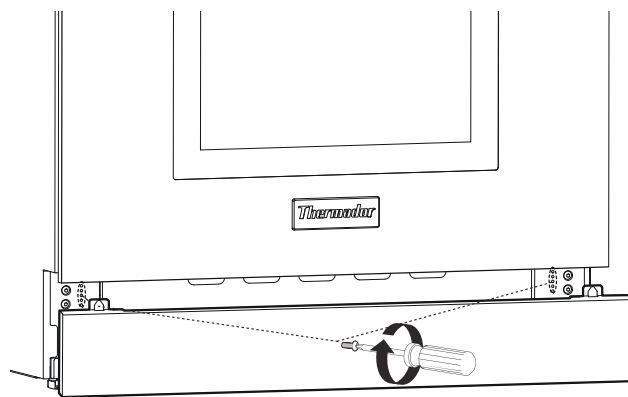
Para obtener un rendimiento óptimo, la estufa debe estar nivelada. La cavidad de la hornilla también debe estar nivelada para obtener un rendimiento óptimo.

Ajuste de las patas de nivelación

- Mida la altura de la encimera con una cinta métrica y añada 1/16-1/8 pulg. (2-3 mm).
Los bordes superiores de los paneles laterales de la estufa deben estar a la misma altura o más altos que la encimera adyacente.
- Gire los lados planos de cada pata con una llave ajustable de 12 pulg. (305 mm). El ajuste de la altura se debe hacer poco a poco, alternando entre cada una de las cuatro patas hasta que los bordes

Ajuste del rodapié

- Coloque el rodapié en una de las cinco posiciones de los agujeros para los tornillos.
- Haga lo mismo en el otro lado asegurándose de que el rodapié esté nivelado.

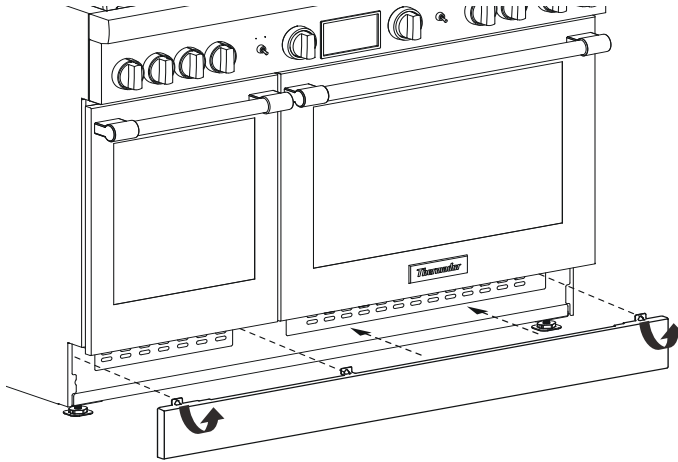


- Reinstale los tornillos Torx.
 - El rodapié de la estufa debe estar por lo menos a 0,5 pulg. (12,7 mm) sobre el suelo.

Placa con información del aparato

Etiqueta de datos nominales

La placa con información del aparato muestra el número de modelo y de serie de su estufa. Se encuentra en el bastidor, detrás de la puerta del horno (vea la ilustración).



Diagramas del cableado eléctrico

No se deben quitar los diagramas del cableado eléctrico en el área para los pies excepto por un técnico de servicio. Vuelva a ponerlos después del servicio.

Probar el quemador

⚠ ADVERTENCIA

Para prevenir quemaduras, evite tocar las tapas y las rejillas de los quemadores cuando estén calientes. Apague la estufa y deje los quemadores enfriarse.

Instala cualquier componente flojo, como casquillos de quemador y rejillas, que se pudieron haber quitado con anterioridad. Asegúrese que los casquillos de quemador asienten apropiadamente en sus bases de quemador. Antes de probar la operación de la unidad, verificar que se ha comprobado cuidadosamente la unidad y la fuente de gas para saber si hay fugas y que la unidad haya sido conectada con la fuente de la corriente eléctrica. Dar vuelta a la válvula de cierre manual del gas a la posición abierta.

Para asegurar un funcionamiento correcto, se deben colocar correctamente las tapas de los quemadores STAR® sobre su base. Si la tapa no se coloca correctamente, podría ocurrir uno de los siguientes problemas:

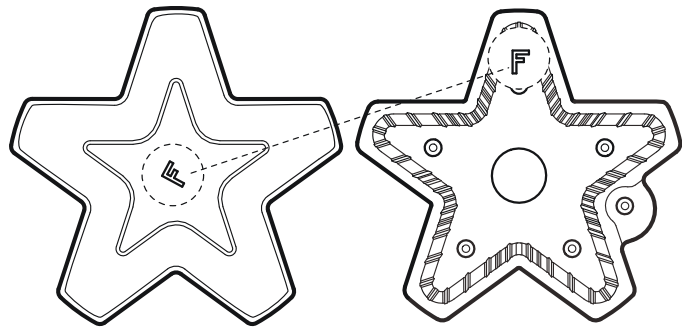
- Las llamas del quemador son demasiado altas
- Llamas excesivas salen del quemador
- El quemador no se enciende
- Las llamas del quemador son irregulares
- El quemador desprende olores.

Colocación de las tapas de los quemadores

Cada tapa tiene una letra (B, D o F) grabada en la parte inferior de la tapa que corresponde a una letra (B, D o F) grabada en la base de la hornilla que está unida al electrodoméstico.

Colocar las tapas de los quemadores

1. Coloque la tapa de cada hornilla en la base de la hornilla correcta según la designación de letra correspondiente.

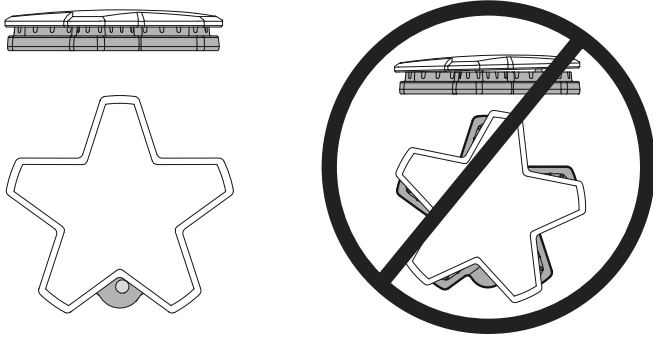


2. Coloque la tapa de la hornilla suavemente sobre la base, de modo que los dientes de la base de la hornilla calcen bien en la ranura de la tapa de la hornilla.

Verificación de la posición de las tapas de los quemadores

- Compruebe cada quemador para asegurarse de que no hay espacio entre la tapa y la base del quemador. Vea Figura para ejemplos de tapa de quemador instalada correctamente e incorrectamente.
- Puede intentar mover con cuidado las tapas de los quemadores lateralmente para asegurarse de que estén colocadas correctamente en su base.

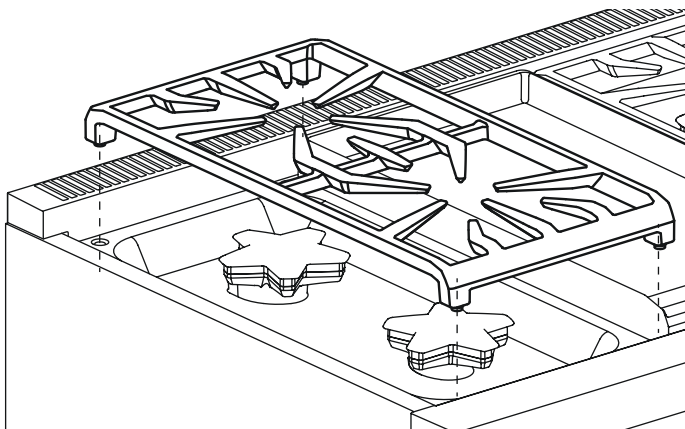
- Cuando es el caso, las tapas están rectas en la base y cubren completamente la base del quemador en forma de estrella al mirarlás desde arriba.



Colocación de las rejillas de los quemadores

Para instalar las rejillas de los quemadores

1. Colóquelas con el lado plano hacia abajo y alinéelas en el hueco de la tabla de cocción.
2. Las rejillas tienen que apoyarse las unas sobre las otras y descansar en los bordes del hueco.



Probar los quemadores de la estufa

Probar la ignición de quemadores

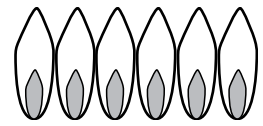
1. Seleccione una perilla de un quemador de la estufa. Cambie el quemador a HI.
 - El igniters módulo de chispas producirá un sonido de un clic (chasquido). Una vez que se haya purgado el aire de las líneas de suministro, el quemador debe encenderse dentro de (4) segundos.

2. Cambie el quemador a LO.
 - Verifique que la llama envuelva completamente el quemador. Debe haber una llama en el puerto de cada quemador y no debe haber un espacio de aire entre la llama y el quemador. Si alguno de los quemadores no queda completamente envuelto, llame al Servicio de Thermador mantenimiento.
3. Repita los procedimientos de prueba de Encendido y Flama, descritos anteriormente para cada quemador superior de la estufa.

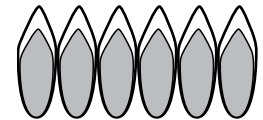
Algunos quemadores están equipados con la tecnología XLO[®], que consiste en un ciclo de encendido y apagado de la llama. Este ciclo es normal cuando se selecciona esa función con la perilla de control.

Características de la llama

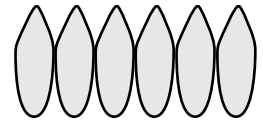
Flama amarilla:
Se requiere más ajuste.



Puntas amarillas sobre conos:
Normal para Gas LP.



Flama azul suave:
Normal para Gas Natural.



Si la flama es casi o completamente amarilla, verifique que el regulador está establecido para el combustible correcto. Posterior al ajuste, vuelva a probar.

Se pueden producir algunas rayas anaranjadas en el encendido inicial.

Permita que la unidad trabaje durante 4-5 minutos y vuelva a evaluar antes de realizar ajustes.

Cuando la flama está ajustada correctamente:

- Debe haber una flama en el puerto de cada quemador.
- No debe haber un espacio de aire entre la flama y el quemador.

Llame a Thermador mantenimiento si:

- Algún quemador no se enciende.
- Algún quemador sigue quemándose con color amarillo.

Lista de chequeo del instalador

Control final

- _____ Se respetaron los espacios libres especificados entre la estufa y los armarios adyacentes.
- _____ Aparato nivelado y cubiertas de patas instaladas.
- _____ Tapas de quemadores correctamente colocadas sobre sus bases.
- _____ Se quitó todo el material de embalaje.
- _____ Se fijó el adorno de tipo isla o la consola trasera conforme a las instrucciones.
- _____ Verifique la llama de cada quemador. La llama puede tardar varios minutos para quemar todas las impurezas que se encuentran en los conductos de gas.
- _____ Verifique la función ExtraLow para asegurarse de que funcione y que la llama se vuelva a encender en todo el quemador.
- _____ **INSTALADOR:** Entregar el folleto de instrucciones de Home Connect™ al propietario del electrodoméstico. Para utilizar todo el potencial de las funciones del electrodoméstico, el propietario debe descargar la aplicación Home Connect™ en su dispositivo inteligente y emparejar el electrodoméstico con el dispositivo Wi-Fi doméstico.

Suministro de gas

- _____ Conexión: NPT, ¾ pulg. (19 mm) con un conducto flexible de un diámetro mínimo de ¾ pulg. (19 mm).
- _____ El aparato está conectado solamente al tipo de gas para el cual está certificado.
- _____ Se instaló la válvula de cierre manual de gas en un lugar accesible (sin que se tenga que mover la estufa). El propietario sabe dónde está la válvula de cierre manual de gas.
- _____ Se comprobó que no hay fugas de gas.
- _____ Si la estufa usa gas propano, asegúrese de que el tanque de gas propano venga con su propio regulador de alta presión además del regulador de presión que se incluye con la estufa.
- _____ La máxima presión de gas de este aparato no debe exceder 14.0 pulgadas (34.9 mb) de columna de agua entre el tanque de gas propano y el regulador de presión.

Electricidad

- _____ Se usa un enchufe protegido contra las subidas de tensión de corriente en el cable de alimentación.
- _____ Toma de tierra adecuada.
- _____ El propietario sabe dónde está el disyuntor principal.

Funcionamiento

- _____ Las perillas están centradas y giran libremente.
- _____ Cada quemador prende bien, tanto en forma individual como junto con otros quemadores funcionando.
- _____ Las bisagras de la puerta de la hornilla están enganchadas y se cierran correctamente. La agarradera y la puerta de la hornilla están niveladas y centradas. La puerta se abre y cierra correctamente.
- _____ Las rejillas de los quemadores están posicionadas correctamente, están niveladas y no se mueven.
- _____ **INSTALADOR:** escriba el número de modelo y el número de serie de la placa de señalización en la Manual de Cuidado y Uso. Deje el Manual de Cuidado y Uso y el Manual de Instalación al dueño del aparato.

Limpieza y protección de las superficies exteriores

- Frote siempre el acero inoxidable en el sentido del grano.
- Para limpiar y proteger el acero inoxidable, utilice el producto Stainless Steel Conditioner de Thermador, disponible en la tienda en línea de Thermador (www.thermador.com/customer-care).
- Para decoloraciones o suciedades persistentes, consulte el manual de uso y cuidado.
- NO permita que suciedades permanezcan por períodos largos de tiempo.
- NO use fibra metálica normal o cepillos metálicos. Se pueden pegar pedazos pequeños de metal a la superficie causando que ésta se oxide.
- NO permita que soluciones salinas, desinfectantes, blanqueadores o compuestos de detergentes tengan contacto prolongado con el acero inoxidable. Muchos de estos compuestos contienen químicos dañinos. Enjuague con agua después de cada exposición y seque con un trapo limpio.

Resolución de problemas

Para obtener información sobre resolución de problemas, consulte la Guía de uso y cuidado.

Support

Thank you for being a Thermador customer!

Thermador is dedicated to supporting you and your appliance so you have many years of creative cooking. Please don't hesitate to contact us if you have any questions. We're happy to help you with cleaning and care instructions, cooking tips, accessories, troubleshooting, and more.

USA:

1-800-735-4328

thermador.com/customer-care

Canada:

1-800-735-4328

thermador.ca/support

Accessories and parts

Filters, Thermador cleaners, teppanyaki pans, griddles, replacement parts, and more can be purchased in our online accessories store.

USA:

store.thermador.com/us

Canada:

Filters, parts and accessories can be purchased through our distributors.

Marcone: 1-800-287-1627

Reliable Parts: 1-800-663-6060

Soutien

Merci d'être un client Thermador!

Thermador s'engage à offrir tout le support dont vous et votre appareil avez besoin afin que vous puissiez en profiter pleinement. N'hésitez pas à communiquer avec nous pour toute question. Nous serons heureux de vous aider avec des directives concernant le nettoyage et les soins, des conseils de cuisson, des accessoires, le dépannage et plus encore.

É.-U. :

1-800-735-4328

thermador.com/customer-care

Canada :

1-800-735-4328

thermador.ca/support

Accessoires et pièces

Vous trouverez dans notre magasin d'accessoires en ligne des filtres, des produits nettoyants Thermador, des poêles teppanyaki, des plaques à frire, des pièces de rechange et plus encore.

É.-U. :

store.thermador.com/us

Canada :

Les filtres, pièces et accessoires peuvent être achetés auprès de nos distributeurs.

Marcone: 1-800-287-1627

Reliable Parts: 1-800-663-6060

Soporte

¡Gracias por ser un cliente Thermador!

Thermador se dedica a apoyarlo a usted y a su aparato para que tenga muchos años para cocinar creativamente. No dude en contactarnos si tuviera preguntas. Nos encantará ayudarlo con las instrucciones de limpieza y cuidado, consejos para cocinar, accesorios, solución de problemas y más.

EEUU:

1-800-735-4328

thermador.com/customer-care

Canadá:

1-800-735-4328

thermador.ca/support

Accesorios y piezas

Los filtros, limpiadores Thermador, sartenes de teppanyaki, planchas, piezas de refacción y más se pueden comprar en nuestra tienda de accesorios en línea.

EEUU:

store.thermador.com/us

Canadá:

Los filtros, piezas y accesorios se pueden comprar a través de nuestros distribuidores.

Marcone: 1-800-287-1627

Reliable Parts: 1-800-663-6060



1901 MAIN STREET, SUITE 600, IRVINE, CA 92614 // 800-735-4328 // WWW.THERMADOR.COM

© 2019 BSH Home Appliances Corporation
8001173474