

INSTALLATION MANUAL

For THERMADOR PROFESSIONAL™
PRO HARMONY® Dual Fuel Ranges

MANUEL D'INSTALLATION

Pour toutes les cuisinières mixtes THERMADOR
PROFESSIONAL^{MC} PRO HARMONY^{MC}

MANUAL DE INSTALACIÓN

Para Estufas de Todo Tipo de Gas THERMADOR
PROFESSIONAL™ PRO HARMONY®

**Models/
Modèles/
Modelos:**

PRD304GHC
PRD304GHU
PRD364GDHC
PRD364GDHU
PRD366GHC
PRD366GHU
PRD486GDHC
PRD486GDHU
PRD364NLHU
PRD364NLHC
PRD486NLHU
PRD486NLHC
PRD484NCHU
PRD484NCHC

Thermador [®]
REAL INNOVATIONS FOR REAL COOKS[®]



Table of Contents

Safety Instructions	1
Installation	3
Planning Information	3
Step 1: Ventilation Requirements	3
Step 2: Cabinet Preparation	4
Step 3: Unpacking, Moving and Placing the Range	9
Step 4: Installing Anti-Tip Device	11
Step 5: Gas Requirements and Hookup	13
Step 6: Electrical Requirements, Connection & Grounding	15
Step 7: Backguard Installation (optional)	18
Step 8: Door Removal and Reinstallation	23
Step 9: Placing and Leveling the Range	24
Step 10: Burner Test	27
Installer Checklist	28
Customer Support, Accessories & Parts	back page

This THERMADOR® appliance is made by
BSH Home Appliances Corporation
1901 Main Street, Suite 600
Irvine, CA 92614

Questions?

1-800-735-4328

www.thermador.com

We look forward to hearing from you!

Safety



IMPORTANT SAFETY INSTRUCTIONS READ AND SAVE THESE INSTRUCTIONS

Before You Begin

IMPORTANT: Save these Instructions for the Local Gas Inspector's use.

INSTALLER: Please leave these Installation Instructions with this unit for the owner.

OWNER: Please retain these instructions for future reference.

WARNING!



ELECTRICAL SHOCK HAZARD

Disconnect power before installing or servicing. Before turning power ON, be sure that all controls are in the OFF position. Failure to do so can result in death or electrical shock.

IMPORTANT:

Local codes vary. Installer is responsible for ensuring that the installation, gas connections, and grounding comply with all applicable codes. Failure to follow appropriate local codes and regulations may void the warranty.

FOR MASSACHUSETTS INSTALLATIONS:

1. Installation must be performed by a qualified or licensed contractor, plumber or gas fitter qualified or licensed by the state, province or region where this appliance is being installed.
2. Shut-off valve must be a "T" handle gas cock.
3. Flexible gas connector must not be longer than 36" (914 mm).

NOTE:

This range is NOT designed for installation in manufactured (mobile) homes or Recreational Park Trailers.

GROUNDING INSTRUCTIONS

This appliance must be grounded. Grounding reduces the risk of electric shock by providing a safe pathway for electric current in the event of a short circuit.

DO NOT install this range outdoors.

WARNING!



A child or adult can tip the range over and be killed or seriously injured. Verify that the anti-tip bracket is securely installed. Ensure the anti-tip bracket is engaged when the range is moved.

DO NOT operate the range without the anti-tip bracket in place. Failure to follow the instructions in this manual can result in death or serious burns to children and adults.

Check for proper installation and use of anti-tip bracket. Carefully tip range forward pulling from the back to ensure that the anti-tip bracket engages the range leg and prevents tip-over. Range should not move more than 1" (2.5 cm).

WARNING!

If the information in this manual is not followed exactly, a fire or explosion may result causing property damage, personal injury or death.

— Do not store or use gasoline or other flammable vapors and liquids in the vicinity of this or any other appliance.

— WHAT TO DO IF YOU SMELL GAS

- Do not try to light any appliance.
- Do not touch any electrical switch.
- Do not use any phone in your building.
- Immediately call your gas supplier from a neighbor's phone. Follow the gas supplier's instructions.
- If you cannot reach your gas supplier, call the fire department.

— Installation and service must be performed by a qualified installer, service agency or the gas supplier.



IMPORTANT SAFETY INSTRUCTIONS

READ AND SAVE THESE INSTRUCTIONS

Gas type verification

Verify the type of gas supplied to the location. Ensure that the appliance is connected to the type of gas for which it is certified. All models are certified for use with natural gas. Field conversion of the appliance for use with propane gas supply will require a conversion kit (PALPKITHC).

Gas Supply:

Natural Gas — 6 inch water column. (14.9 mb) min., 14 inch (34.9 mb) maximum

Propane Gas — 11 inch water column. (27.4 mb) min., 14 inch (34.9 mb) maximum

CAUTION!

When connecting the unit to propane gas, make certain the propane gas tank is equipped with its own high-pressure regulator in addition to the pressure regulator supplied with the range. The maximum gas pressure to this appliance must not exceed 14.0" water column (34.9 mb) from the propane gas tank to the pressure regulator.

Electric Power Supply:

See "Step 6: Electrical Requirements, Connection & Grounding" on page 15 for specifications.

Check local building codes for the proper method of appliance installation. Local codes vary and it is the responsibility of the installer to ensure installation is in accordance with these codes. Installation, electrical connections and grounding must comply with all applicable codes. In the absence of local codes the appliance should be installed in accordance with the National Fuel Gas Code ANSI Z223.1/NFPA 54 current issue and National Electrical Code ANSI/NFPA 70-current issue. In Canada, installation must be in accordance with the CAN 1-B149.1 and .2 – Installation Codes for Gas Burning Appliances and/or local codes.

This appliance complies with the following standards:

- UL 858, Standard for the Safety of Household Electric Ranges
- ANSI Z21.1, American National Standard for Household Cooking Gas Appliances
- CAN 1-1. 1-M81, Domestic Gas Ranges
- CAN/CSA-C22.2 No. 61, Household Cooking Ranges

It is the responsibility of the owner and the installer to determine if additional requirements and/or standards apply to specific installations.

IMPORTANT:

When installing against a combustible surface, a High Shelf or Low Backguard is required. A THERMADOR™ High Shelf or Low Backguard must be purchased separately. See Step 7 for backguard, kits and installation information.

When using the Flush Island Trim, THERMADOR recommends a minimum 12" (305 mm) rear clearance to a combustible surface (see *Figure 1, Cabinet Clearances*). Clearances from non-combustible materials are not part of the ANSI Z21.1 scope and are not certified by CSA. Clearances of less than 12" (305 mm) must be approved by the local codes and/or by the local authority having jurisdiction.

Refer to *Table 3, Backguard Kit Model Numbers*, for the correct backguard models that are designed for this range. After selecting the correct backguard, the range must be installed properly, using the minimum clearances to combustible surfaces specified in the Cabinet Preparation instructions beginning on *page 4*.

WARNING!

To avoid possible burn or fire hazard, a backguard designed specifically for this range must be installed whenever the range is used.

CAUTION!

To eliminate risk of burns or fire caused by reaching over heated surface units, cabinet storage located above the surface units should be avoided.

CAUTION!

This unit is designed as a cooking appliance. Based on safety considerations, never use it for warming or heating a room.

WARNING!

State of California Proposition 65 Warnings:

This product contains chemicals known to the State of California to cause cancer, birth defects or other reproductive harm.

Installation

Planning Information

Before using your appliance, be sure to read this manual. Pay special attention to the **Important Safety Instructions** located at the beginning of the manual.

TOOLS NEEDED	
7/16" box end wrench or ratchet	1/8" (3.17 mm) drill bit
3/16" (4.76 mm) drill bit	12" Adjustable wrench
Hand or electric drill	Tape measure
T-20 Torx screwdriver	Marking instrument
Level	Furniture dolly
Phillips & flathead screwdrivers	Protective gloves
ITEMS NOT INCLUDED	
Drywall / Concrete Anchors	Pipe Compound / Tape
Rope/Twine	3/4" (19 mm) Flex Line
Strain Relief	Cord Kit or Conduit
2 – NPT Flare Adapters	



Remove all tape and packaging before using the appliance. Please, recycle the packaging material, as all THERMADOR appliance packaging material is recyclable. Never allow children to play with packaging material.

Step 1: Ventilation Requirements

Refer to the *Ventilation Planning Guide* for approved ventilation combinations.

It is strongly recommended that this appliance be installed in conjunction with a THERMADOR vent hood. Due to the high heat capability of this unit, particular attention should be paid to the hood and duct work installation to assure it meets local building codes.

Downdraft ventilation should not be used. The *Ventilation Planning Guide* indicates the ventilation hood options and blower capacity guidelines that are recommended for use with all THERMADOR ranges.

Due to the high heat of the rangetop burners, do not install a microwave oven/ventilator combination above the range, as these type of units do not provide the proper ventilation and are not suitable for use with the range.

IMPORTANT:

Ventilation hoods and blowers are designed for use with single wall ducting. However, some local building codes or inspectors may require double wall ducting. Consult local building codes and/or local agencies, before starting, to assure that hood and duct installation will meet local requirements.

NOTICE:

Most range hoods contain combustible components which must be considered when planning the installation.

WARNING!

This appliance should not be installed with a ventilation system that directs air in a downward direction toward the range. This type of ventilation system may cause ignition and combustion problems with the appliance resulting in personal injury, property damage, or unintended operation. Ventilating systems that direct the air upwards do not have any restriction.

Ventilation Preparation

1. Select Hood and Blower Models:

- For wall installations, the hood width must, at a minimum, equal the width of the range. Where space permits, a hood larger in width than the range/rangetop may be desirable for improved ventilation performance.
- For island installations, the hood width should overhang the width of the range by a minimum of 3" (76 mm) on each side.

2. Hood Placement:

- For best smoke elimination, the lower edge of the hood should be installed 30" (762 mm) above the range cooking surface (see *Figure 1*).
- If the hood contains any combustible materials (i.e. a wood covering), it must be installed a minimum of 36" (914 mm) above the cooking surface (see *Figure 1*).

3. Consider Make-Up Air:

- Due to the high volume of ventilation air, a source of outside replacement air is recommended. This is particularly important for tightly sealed and insulated homes. A qualified heating and ventilating contractor should be consulted.

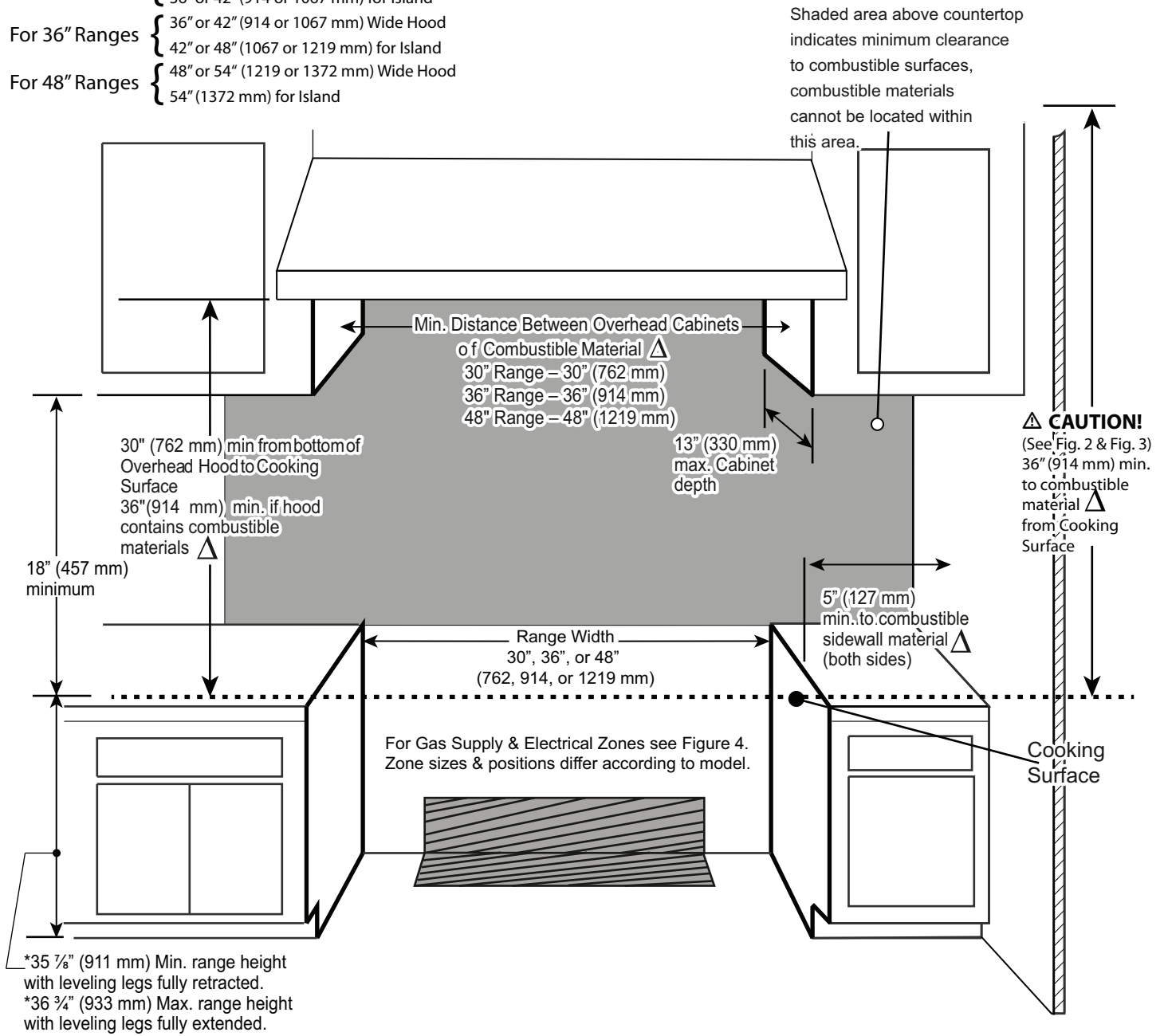
Step 2: Cabinet Preparation

- The range is a free standing unit. If the unit is to be placed adjacent to cabinets, the clearances shown in *Figure 1* are required. The same clearances apply to island installations, except for the overhead cabinets, which must have a space wide enough to accept the flared island hood.
- Any openings in the wall behind the range and in the floor under the range must be sealed.
- The gas and electrical supply should be within the zones shown in *Figure 4* on *page 8*.
- When installing against a combustible surface, a High Shelf or Low Backguard is required. A THERMADOR™ High Shelf or Low Backguard must be purchased separately (see *Table 3* on *page 18*).
- When using the Flush Island Trim, THERMADOR recommends a minimum 12" (305 mm) rear clearance to a combustible surface (see *Figure 1, Cabinet Clearances*). Clearances from non-combustible materials are not part of the ANSI Z21.1 scope and are not certified by CSA. Clearances of less than 12" (305 mm) must be approved by the local codes and/or by the local authority having jurisdiction.
- When the range is installed against a combustible side wall a minimum clearance of 5" (127 mm) is needed from the side of the range to the wall.
- Always keep appliance area clear from combustible materials, gasoline and other flammable vapors and liquids.
- The maximum depth of overhead cabinets installed on either side of the hood is 13" (330 mm).
- Do not obstruct the flow of combustion and ventilation air to the unit.
- There is a 36" (914 mm) minimum clearance required between the top of the cooking surface and the bottom of an unprotected cabinet. A 30" (762 mm) clearance can be used when the bottom of the wood or metal cabinet is protected by not less than 1/4" (6 mm) of a flame retardant material covered with not less than No. 28 MSG sheet steel, 0.015" (0.38 mm) thick stainless steel, 0.024" (0.61 mm) aluminum, or 0.02" (0.51 mm) thick copper.

Flame retardant materials bear the mark: UNDERWRITERS LABORATORIES INC. CLASSIFIED MINERAL AND FIBER BOARDS SURFACE BURNING CHARACTERISTICS, followed by the flame spread and smoke ratings. These designations are shown as "FHC (Flame Spread/Smoke Developed)." Materials with "O" flame spread ratings are flame retardant. Local codes may allow other flame spread ratings. It is the responsibility of the installer to ensure installation is in accordance with these ratings.

Installation Clearances

- For 30" Ranges { 30" or 36" (762 or 914 mm) Wide Hood
- { 36" or 42" (914 or 1067 mm) for Island
- For 36" Ranges { 36" or 42" (914 or 1067 mm) Wide Hood
- { 42" or 48" (1067 or 1219 mm) for Island
- For 48" Ranges { 48" or 54" (1219 or 1372 mm) Wide Hood
- { 54" (1372 mm) for Island

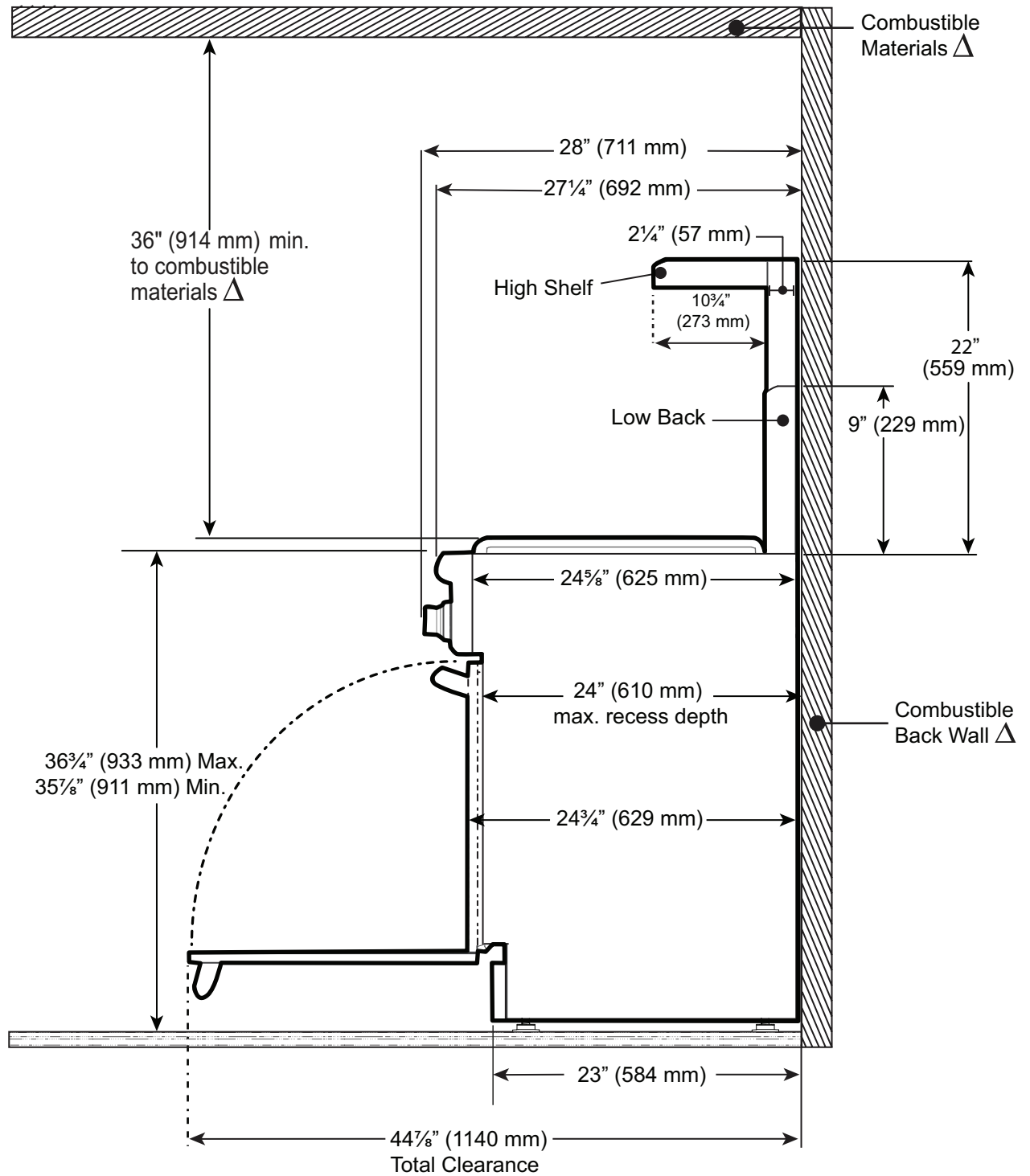


*The range height is adjustable. The level of the range top must be at the same level or above the counter top level.

Δ as defined in the "National Fuel Gas Code" (ANSI Z223.1, Current Edition). Clearances from non-combustible materials are not part of the ANSI Z21.1 scope and are not certified by CSA. Clearances of less than 12" (305 mm) must be approved by the local codes and/or by the local authority having jurisdiction.

Figure 1: Cabinet Clearances

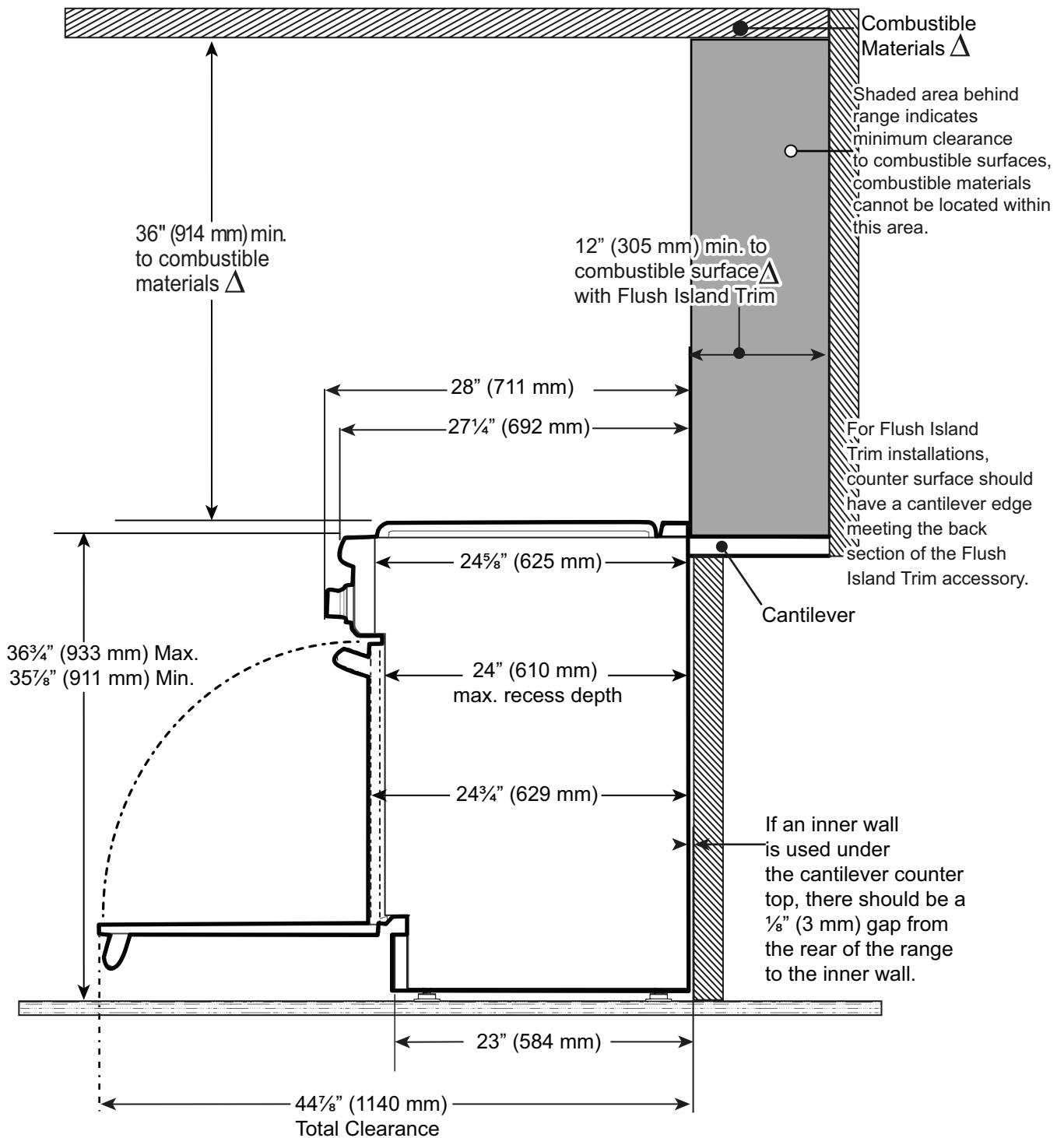
Installation Clearances with High Shelf or Low Backguard



Δ as defined in the "National Fuel Gas Code" (ANSI Z223.1, Current Edition). Clearances from non-combustible materials are not part of the ANSI Z21.1 scope and are not certified by CSA. Clearances of less than 12" (305 mm) must be approved by the local codes and/or by the local authority having jurisdiction.

Figure 2: Installation Clearances with a High Shelf or Low Backguard

Installation Clearances with Flush Island Trim

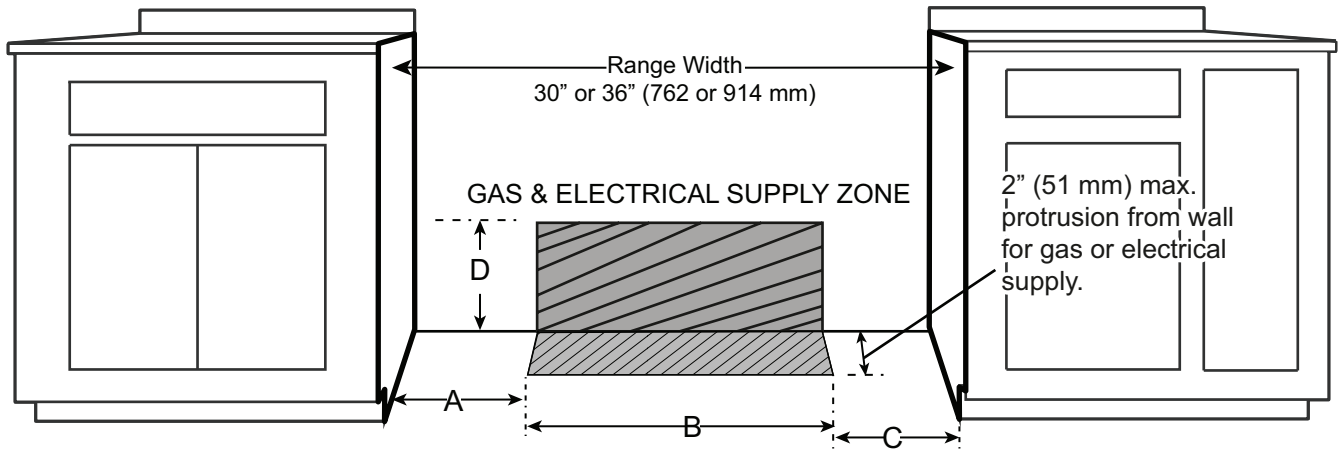


Δ as defined in the "National Fuel Gas Code" (ANSI Z223.1, Current Edition). Clearances from non-combustible materials are not part of the ANSI Z21.1 scope and are not certified by CSA. Clearances of less than 12" (305 mm) must be approved by the local codes and/or by the local authority having jurisdiction.

Figure 3: Installation Clearances with a Flush Island Trim

Gas and Electric Supply Zones

Gas & Electrical Supply Locations for 30" and 36" Dual Fuel Ranges



Model	A	B	C	D
30" (762 mm)	5 ³ / ₄ " (146 mm)	18 ⁷ / ₁₆ " (468 mm)	5 1 ³ / ₁₆ " (148 mm)	4 ³ / ₈ " (111 mm)
36" (913 mm)	8 1 ¹ / ₁₆ " (205 mm)	19 ¹³ / ₁₆ " (503 mm)	8 ¹ / ₈ " (206 mm)	4 ³ / ₈ " (111 mm)

Gas & Electrical Supply Locations for 48" Dual Fuel Ranges

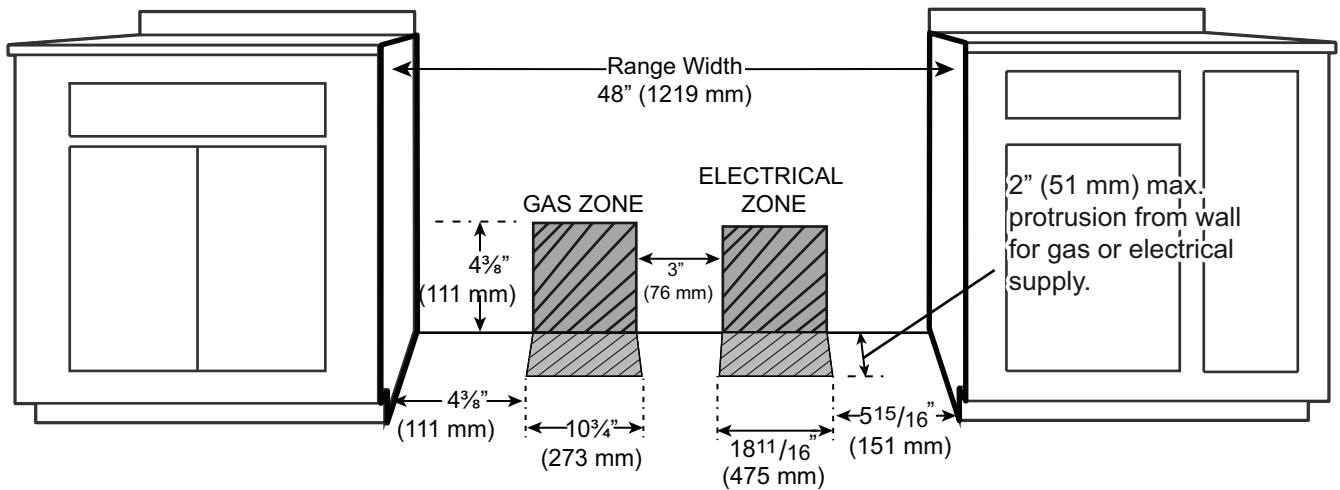


Figure 4: Gas & Electrical Supply Locations for Dual Fuel Ranges

NOTICE:

- If not already present, install gas shut-off valve in an easily accessible location.
- Make sure all users know where and how to shut off the gas supply to the range.
- Any opening in the wall behind the appliance and any opening in the floor under the appliance must be sealed.

The dual fuel ranges may be connected to the power supply with a range supply cord kit or by hard-wiring to the power supply. It is the responsibility of the installer to provide the proper wiring components (cord or conduit and wires) and complete the electrical connection as dictated by local codes and ordinances, and/or the National Electric Code. The units must be properly grounded. Refer to "Step 6: Electrical Requirements, Connection & Grounding" on page 15 for details. Canadian models have power cord supplied.

The range must be connected only to the type of gas for which it is certified. If the range is to be connected to propane gas, ensure that the propane gas supply tank is equipped with its own high pressure regulator in addition to the pressure regulator supplied with the range (See “Step 5: Gas Requirements and Hookup” on page 13.).

NOTE:

The range is designed for flush installation to the back wall. For a successful installation, it may be necessary to reposition the gas supply line and the electrical cord as the range is pushed back to its final position.

-- **SUGGESTION:** This may be accomplished by carefully pulling on a rope or twine looped around the gas or electrical supply line as the range is pushed back into its final installed position.

Electrical Supply

Installation of the range must be planned so that rough-in of terminal block for the receptacle or conduit connection will allow maximum clearance to the rear of the unit.

When the power supply cord or conduit is connected to the mating receptacle or terminal block cover, the combined plug/receptacle or terminal block cover/conduit connector should protrude no more than 2” (51 mm) from the rear wall. See Figure 5.

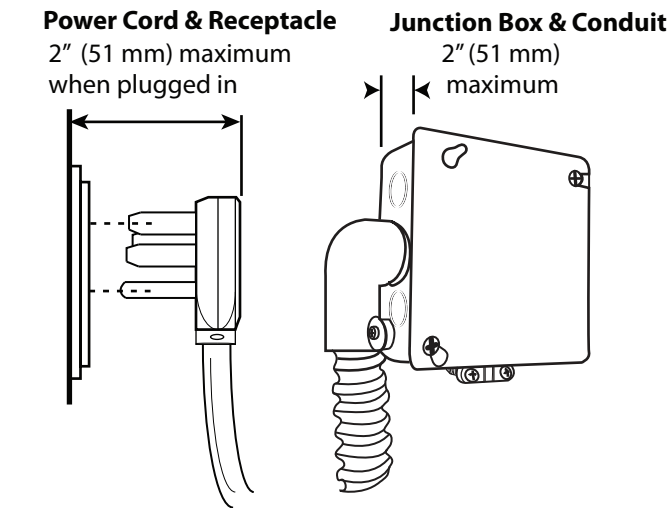


Figure 5: Wall Connection

Refer to Figure 10 on page 16 for location of terminal block on unit. To minimize binding when the unit is connected to the receptacle or terminal block, orient the receptacle or conduit connector, and slide back into position.

When using a receptacle it may be necessary to recess the receptacle’s housing into the rear wall. Refer to Local Electrical Code to determine the minimum volume for all electrical / junction boxes. Follow all local electrical codes.

Mount the receptacle securely to a wall stud, then seal around the receptacle’s housing.

NOTE:

Canadian models have the power cord supplied with range.

Step 3: Unpacking and Moving the Range

Unpacking the Range

1. Remove the outer carton and packing materials from the shipping pallet but leave the adhesive-backed foam layer over brushed-metal surfaces, to protect finish from scratches, until the range is installed in its final position.
2. It is recommended that the grates, griddle plate, burner caps and oven racks be removed to facilitate handling. If desired, the oven doors may also be removed (see “Step 8: Door Removal and Adjustment” on page 23). **Do not remove the griddle assembly.**

	30" RANGE	36" RANGE	48" RANGE
Shipping Weight	377 lbs (171 kg)	395 lbs (179 kg)	560 lbs (254 kg)
Weight without packing materials	293 lbs (133 kg)	337 lbs (153 kg)	470 lbs (213 kg)

Table 1: Range Weight

Moving the Range

CAUTION!



DO NOT lift the range by the oven door's handle, as this may damage the door hinges and cause the door to fit incorrectly.

DO NOT lift the appliance by the range's control panel.



The unit is heavy and should be handled accordingly. Proper safety equipment such as gloves and adequate manpower of at least two people must be used in moving the range to avoid injury and to avoid damage to the unit or the floor.

Rings, watches, and any other loose items that may damage the unit or otherwise might become entangled with the unit should be removed.

Hidden surfaces may have sharp edges. Use caution when reaching behind or under appliance.

DO NOT use a hand truck or appliance dolly on the back or front of the unit. Handle from the side only.

Due to the weight, a furniture dolly with soft wheels or an air lift should be used to move this unit. The weight must be supported uniformly across the bottom.

NOTICE:

The electric wire diagrams and schematics are attached behind the kick panel, and should not be removed except by a service technician, then replaced after use.

Removing the Pallet Bolts

1. To remove the (4) pallet bolts in the front and in the back, use a 7/16" wrench or ratchet and socket to remove the pallet bolt from the bottom of the pallet. Discard the wood packing block inserts.

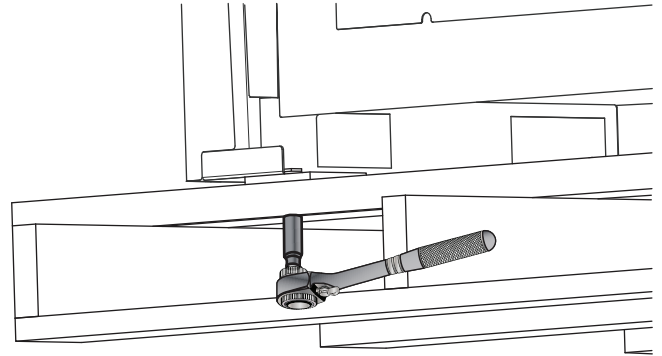



Figure 6: Removal of Shipping Bolts

2. Lift range and remove it from the pallet. Use additional help as required to remove from pallet.
3. Transport the range by dolly close to its final location. Unit should not be dollyed from the front.
4. The range can then be tipped back and supported on the rear legs while the dolly is carefully removed. **THE FLOOR UNDER THE LEGS SHOULD BE PROTECTED BEFORE PUSHING THE UNIT INTO POSITION.**
 - Step 4 through Step 8 must be completed before the range is placed in its final position. For proper performance, the **range must be level**. See "Step 9: *Placing and Leveling the Range*" on page 24 for leveling instructions.

Step 4: Installing the Anti-Tip Device

For all ranges, an anti-tip device must be installed as per these instructions.

⚠ WARNING!	
	RANGE TIPPING HAZARD: <ul style="list-style-type: none"> — All ranges can tip and injury can result. To prevent accidental tipping of the range, attach it to the floor by installing the Anti-Tip Device supplied. — A risk of tip-over may exist if the appliance is not installed in accordance with these instructions. For all ranges an anti-tip device <u>must</u> be installed. — A child or adult can tip the range and be killed. — DO NOT operate the range without the anti-tip device in place and engaged. Failure to do so can result in death or serious burns to children or adults.
	<p>If the range is pulled away from the wall for cleaning, service or for any other reason, ensure that the Anti-Tip Device is properly re-engaged when the range is pushed back against the wall. In the event of abnormal usage (such as a person standing, sitting, or leaning on an open door), failure to take this precaution can result in tipping of the range. Personal injury might result from spilled hot liquids or from the range itself.</p>

⚠ WARNING!	
ELECTRICAL SHOCK HAZARD: <ul style="list-style-type: none"> • Use extreme caution when drilling holes into the wall or floor as there may be concealed electrical wires. • Identify the electrical circuits that could be affected by the installation of the Anti-Tip Device, then turn off power to these circuits. • Failure to follow these instructions may result in electrical shock or other personal injury. 	

ATTENTION – PROPERTY DAMAGE

- Contact a qualified installer or contractor to determine the proper method for drilling holes through the wall or floor material (such as ceramic tile, hardwood, etc.)
- Do not slide the range across an unprotected floor.
- Failure to follow these instructions may result in damage to wall or floor coverings.

SERVICE PART NO.	QTY	DESCRIPTION
00415078	4	Screw, Phillips, #10 x 1½"
00647936	1	Anti-Tip Bracket, Floor-Mounted

Hardware provided is for mounting through standard thickness wood studs. Installers are responsible to provide hardware for other types of mounting situations.

Important Installation Information:

- The anti-tip bracket may be attached to a solid wood surface having a minimum wall thickness of ¾" (19 mm).
- The thickness of the wall or floor may require use of longer screws, available at your local hardware store.
- In all cases, at least two (2) of the bracket mounting screws must be fastened to solid wood surface.
- Use appropriate anchors when fastening the mounting bracket to any material other than hard-wood or metal.

Prepare holes at fastener locations as identified below:

- For walls, wall studs, or floors composed of solid wood or metal, drill 1/8" (3 mm) pilot holes.
- For walls or floors composed of drywall, sheet-rock or other soft materials, drill 3/16" (5 mm) holes to a minimum depth of 1¾" (45 mm), then tap plastic anchors into each of the holes using a hammer.
- For walls or floors composed of concrete or concrete block, drill 3/16" (5 mm) holes to a minimum depth of 1¾" (45 mm), then tap concrete anchors into each of the holes using a hammer.
- For walls or floors having ceramic tile covering, drill 3/16" (5 mm) holes through the tile only, then drill into the material behind the tile as indicated immediately above.

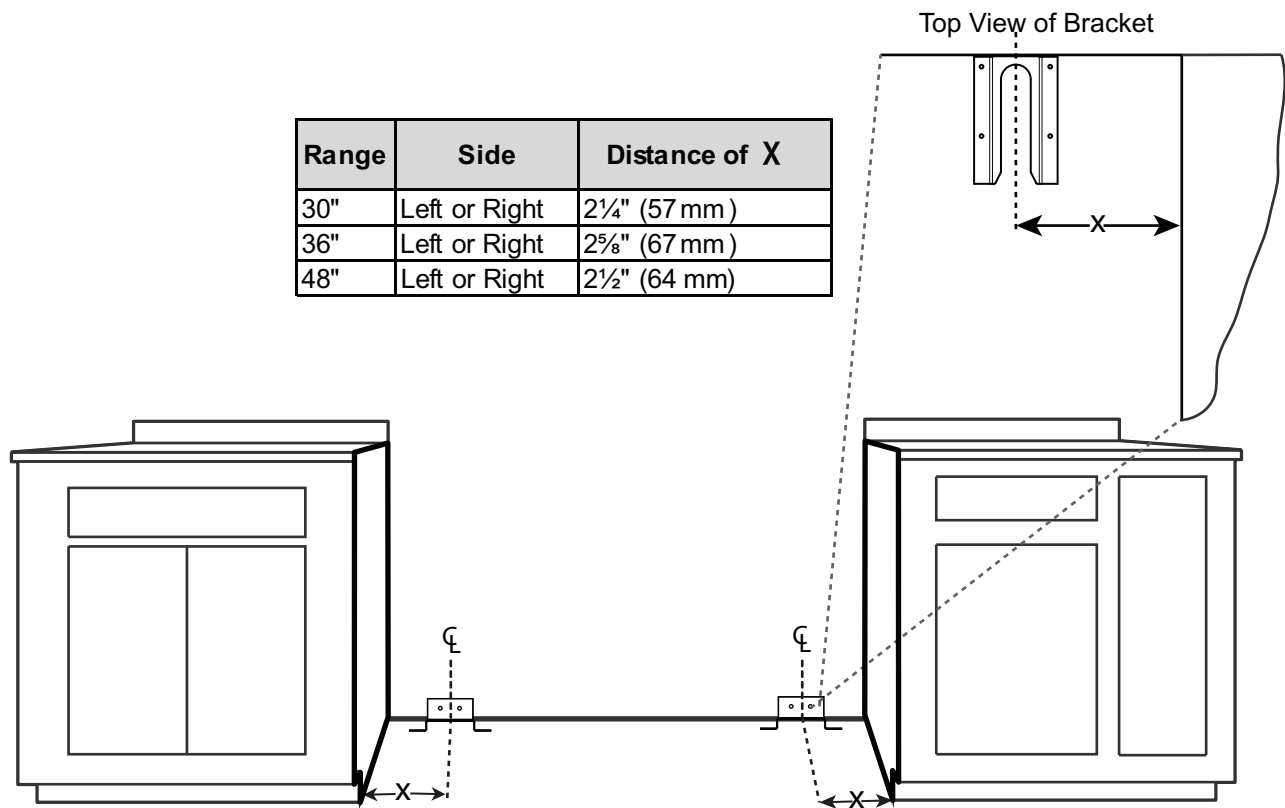


Figure 7: Placement of Anti-Tip Bracket

Mounting Anti-Tip Bracket

The floor mounted bracket shall be installed as follows:

1. Place bracket on floor in position shown in *Figure 7*.
 - Bracket may be used in either corner of the installation area.
2. Secure to floor and wall stud using the (4) 1½" (38 mm) Phillips head screws provided.
3. Later, when the unit is installed, the adjustable leg will slide under the bracket, as shown in *Figure 8*.
4. If the range is moved to a new location, the Anti-Tip Device must be removed and reinstalled.

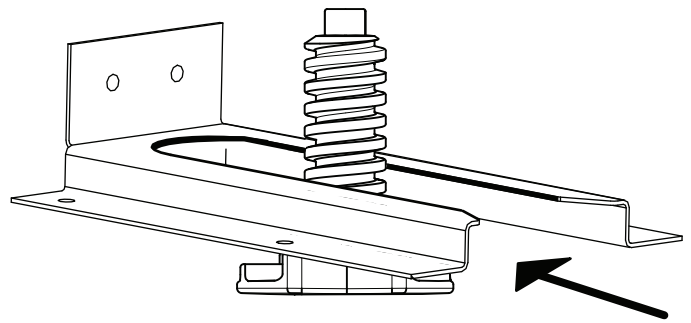


Figure 8: Anti-Tip Bracket

Step 5: Gas Requirements and Hookup

Verify the type of gas being used at the installation site. **The appliance is shipped from the factory for use with natural gas. It must be converted for use with propane. A qualified technician or installer must do the conversion.** Make certain the range matches the type of gas available at this location.

This appliance has been CSA certified for safe operation up to an altitude of 2,000 ft (610 m) elevation above sea level.

48" NATURAL GAS AND PROPANE (LP) GAS

APPLIANCES - For installation of the appliance above 2,000 ft (610 m) elevation above sea level, a High Altitude Conversion Kit (service number 00619199) is available for purchase from THERMADOR Customer Service. It is required that a Certified Professional install the High Altitude Conversion Kit.

30" AND 36" NATURAL GAS AND PROPANE (LP) GAS

APPLIANCES - For altitudes above 2,000 feet (610 m) elevation above sea level, adjustments can be made with the High Altitude Packet included with the unit. If flame performance is satisfactory, the contents in this packet will not be required. It is required that a Certified Professional make the high altitude adjustments during installation.

Propane (LP) Gas Appliances – The appliance must first be converted for use with Propane (LP) Gas before it can be converted for use at high altitude. A Propane (LP) Conversion Kit (Service Number 00649832) is required and available for purchase from Thermador Customer Service.

CAUTION!

When connecting unit to propane gas, make certain the propane gas tank is equipped with its own high pressure regulator in addition to the pressure regulator supplied with the appliance. The pressure of the gas supplied to the appliance regulator must not exceed 14" water column (34.9 mb).

NATURAL GAS REQUIREMENTS:

Inlet Connection:	1/2" NPT internal (Minimum 3/4" dia. flex line)
Supply Pressure:	6" min. to 14" max. water column (14.9 to 34.9 mb)
Manifold Pressure:	5" water column (12.5 mb)

PROPANE GAS REQUIREMENTS:

Inlet Connection:	1/2" NPT internal (Minimum 3/4" dia. flex line)
Supply Pressure:	11"min. to 14"max. water column (27.4 mb to 34.9 mb)
Manifold Pressure:	10" water column (24.9 mb)

Hook Up

The gas supply connections shall be made by a competent technician and in accordance with local codes or ordinances. In the absence of local codes, the installation must conform to the National Fuel Gas Code ANSI Z223.1/ NFPA54- current issue.

1. A manual gas shut-off valve must be installed external to the appliance, in a location accessible from the front, for the purpose of shutting off the gas supply. The supply line must not interfere with the back of the unit. Make sure the gas supply is turned off at the manual shut-off valve before connecting the appliance.
 - The range is supplied with its own pressure regulator that has been permanently mounted within the range body.
2. Use a 3/4" (19 mm) flex line to connect between the gas supply and the appliance gas inlet. The gas supply line connection is located at the lower right portion of all range models (see *Figure 9*). The appliance gas inlet connection is 1/2" (12.7 mm) NPT.
 - Use caution to avoid crimping the 3/4" (19 mm) flex line when making bends. Suggested length of flex line is 48" (1219 mm); however, please check local codes for your area's requirements before installation.
3. Use pipe sealing compound or Teflon® tape on the pipe threads. Do not apply sealing compound or tape to flare fittings. Take care not to apply excessive pressure when tightening the fittings.
4. Leak testing of the appliance shall be in accordance with the following instructions.
 - Turn on gas and check supply line connections for leaks using a soap and water solution.
 - Bubbles forming indicate a gas leak. Repair all leaks immediately after finding them.

WARNING!

Gas line must not come in contact with any components inside back cover of range.

WARNING!

Do not use a flame of any kind to check for gas leaks.

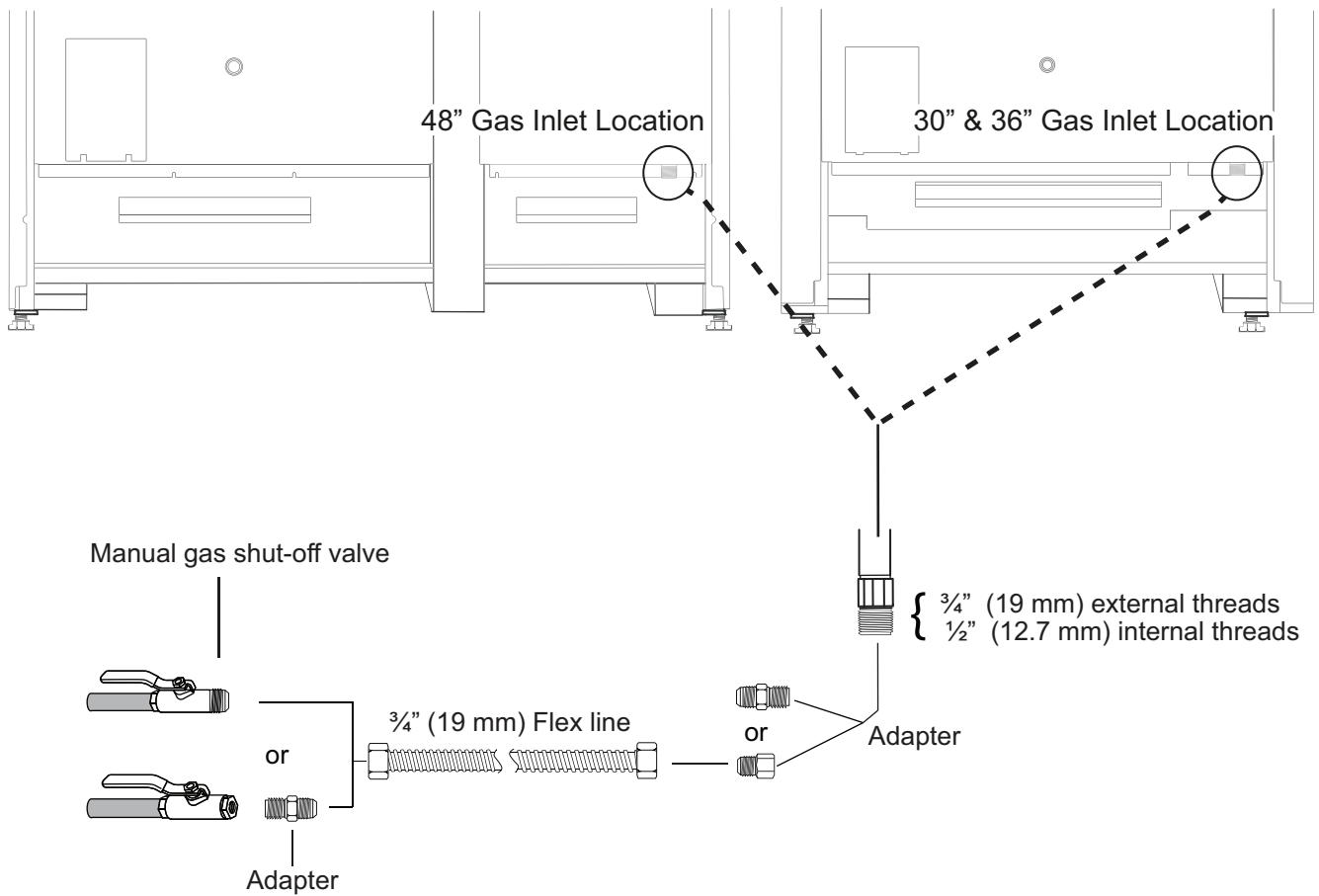


Figure 9: Gas Supply Connection

CAUTION!

The appliance must be isolated from the gas supply piping system by closing its individual manual shut-off valve during any pressure testing of the gas supply piping system at test pressures equal to or less than 1/2 psig (3.5kPa.).

Step 6: Electrical Requirements, Connection & Grounding

MODEL TYPE	VOLTAGE	CIRCUIT RATING	FREQUENCY	PHASE
30"	240/208 VAC	40 Amps	60 Hz.	Single
36"	240/208 VAC	40 Amps	60 Hz.	Single
48"	240/208 VAC	50 Amps	60 Hz.	Single

Table 2: Electrical Supply Circuit Requirements

Before installing, turn power OFF at the service panel. Lock service panel to prevent power from being turned ON accidentally.

Prior to servicing appliance, always disconnect appliance electrical supply cord, if so equipped, from wall receptacle. If appliance is hard-wired to power supply, disconnect power to unit by turning off the proper circuit breaker. Lock service panel to prevent power from being turned ON accidentally.

A neutral supply wire must be provided from the power source (breaker) because critical range components, including the surface burner spark re-ignition module, require 120 VAC to operate safely and properly.

⚠ WARNING!

An improper 240/208 VAC power supply will cause malfunction, damage to this appliance, and possibly create a condition of shock hazard.

If the correct power supply circuit is not provided, it is the responsibility and obligation of the installer and user to have proper power supply connected. This must be accomplished in accordance with all applicable local codes and ordinances by a qualified electrician. It is the responsibility of the installer to ensure compliance of local codes. In the absence of local codes and ordinances, the power supply connection shall be in accordance with the National Electric Code.

Observe all governing codes and ordinances when grounding. In the absence of these codes or ordinances observe National Electrical Code ANSI/NFPA No. 70 current issue. See the following information in this section for grounding method.

Electrical wiring diagrams and schematics have been placed in the kick panel area of the range for access by a qualified service technician (see *Figure 27 on page 24*).

The ranges are to be connected to a 240/208 VAC power supply.

Dual Fuel models must be connected to the power supply utilizing one of the following methods. For all methods of connection, the length of the cord or conduit/wiring must allow the unit to be slid completely out of the cabinet without having to unplug or disconnect the unit from the power supply.

Recommended minimum free length of cord or conduit is 4ft (1.2 m). Electrical installations and grounding must be in accordance with all local codes and ordinances, and/or the National Electric Code, as applicable.

Permanent Connection (Hard Wiring)

Units may be hard wired to the power supply. The installer must provide approved flexible aluminum conduit, 3/4" (19 mm) trade size, maximum 6ft (1.8 m) long.

Locate the terminal block on the rear of the unit and remove cover (refer to *Figure 10*). The conduit must be installed to the terminal block using an approved conduit connector. The free end of the conduit must be connected to a terminal block provided in the electrical supply zone, as shown in *Figure 4 on page 8*.

Mount a strain relief (not provided) into the 1" (25.4 mm) diameter hole located below the terminal block (see *Figure 10*). Wiring for the unit is to be brought into the terminal block through the conduit and through the strain relief. The ends of the wiring must have 1/4" (6 mm) faston closed-loop lugs attached, preferably soldered in place. Make the connections to the terminal block provided.

If aluminum supply wiring exists in the installation, splice the aluminum house wiring with appropriate-thickness gauge copper wire for adapting to the range, using special connectors designed and certified for joining copper and aluminum wire. Follow the connector manufacturer's recommended installation procedure.

⚠ WARNING!

Improper connection of aluminum house wiring can result in a fire or shock hazard. Use only connectors designed and certified for connecting to aluminum wire.

4-Wire Connection

A unit must be connected to the power supply with a 3-POLE, 4-CONDUCTOR cord kit rated 125/250 VOLTS, 50 AMPERES DEDICATED CIRCUIT, and marked for use with ranges.

The cord kit must be attached to the range terminal block with a strain relief (not provided) which will fit a 1" (25.4 mm) diameter hole. If not already equipped, the cord must also have 1/4" (6 mm) faston closed-loop lugs attached to the free ends of the individual conductors, preferably soldered in place.

1. Locate the terminal block on the rear of the unit and remove cover (see *Figure 10*).
2. Remove upper nuts only from the terminal block studs. Do not remove lower nuts which secure range internal wiring leads.
3. Mount strain relief (not provided with range) into the 1" (25.4 mm) diameter hole in the back panel located below the terminal block. Route wires up through strain relief.

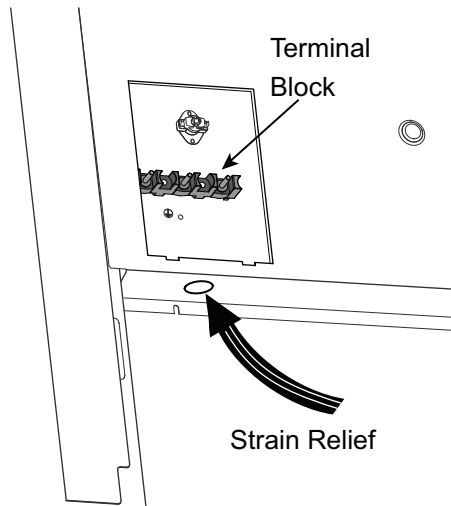


Figure 10: Strain Relief Location

4. Secure the neutral, grounded wire of the supply circuit, to the center stud of the terminal block with nut (see *Figure 11*).
5. Secure the L1 (red) and L2 (black) power leads to the outside terminal studs (brass colored) with nuts.
6. Remove green ground screw located beneath the terminal block. Discard white wire.
7. Secure the bare copper ground lead to the range chassis using the ground screw previously used for the white wire. Be sure that neutral and ground terminals do not touch.
8. Tighten all connections securely.

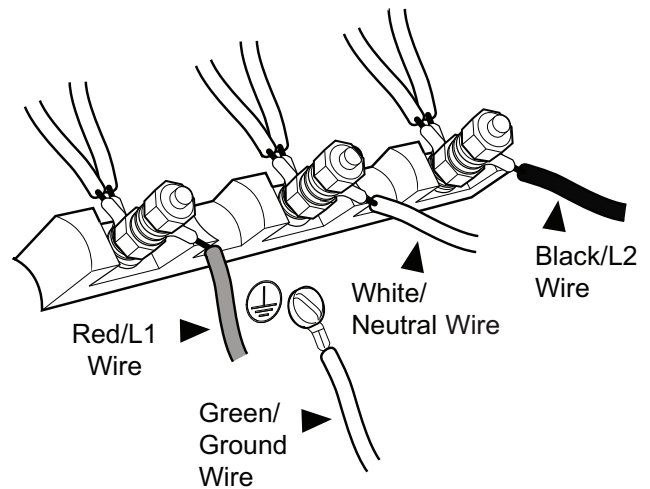


Figure 11: 4-Wire Connection

9. Reinstall the terminal block cover.

INSTALLER — show the owner the location of the circuit breaker. Mark it for easy reference.

3-Wire Lead Connection

Where local codes and ordinances permit grounding through neutral, and conversion of supply to 4 wire is impractical, unit may be connected to the power supply with a 3-POLE, 3-CONDUCTOR cord kit rated 125/250 VOLTS, 50 AMPERES DEDICATED CIRCUIT, and marked for use with ranges.

The cord kit must be attached to the range back panel with a strain relief which will fit a 1" (25.4 mm) diameter hole. If not already equipped, the cord must also have 1/4" (6 mm) faston closed-loop lugs attached to the free ends of the individual conductors, preferably soldered in place.

1. Locate the terminal block on the rear of the unit and remove cover.
2. Remove upper nuts only from the terminal block studs. Do not remove nuts which secure range internal wiring leads.
3. Mount strain relief (not provided with range) into the 1" (25.4 mm) diameter hole in the back panel located below the terminal block (see *Figure 12*). Route wires up through strain relief.

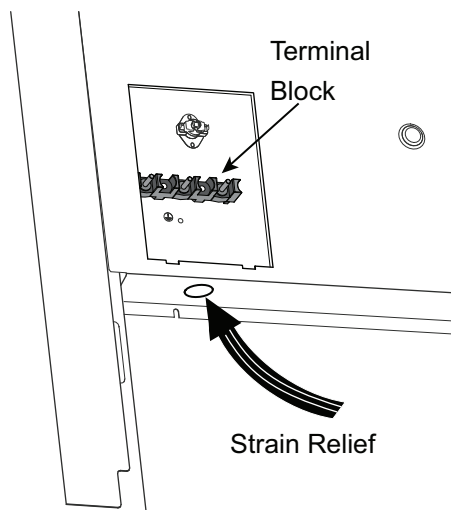


Figure 12: Strain Relief Location

4. Secure the neutral, grounded wire of the supply circuit, to the center stud (silver colored) of the terminal block (see *Figure 13*).
5. Secure the L1 (red) and L2 (black) power leads to the outside corresponding terminal block studs (brass colored).
6. Secure one end of the mounted looped neutral wire, located beneath terminal block, to the center stud of the terminal block with nut and keep the other end of the wire screwed into the back of the range.
7. Tighten nuts securely.

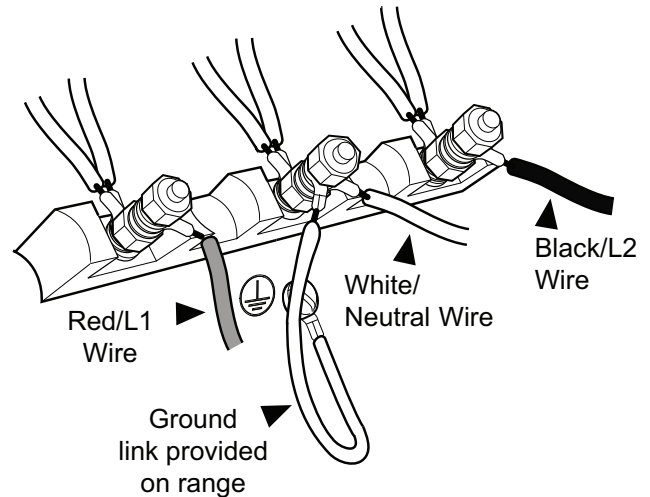


Figure 13: 3-Wire Connection

8. Reinstall the Terminal Block Cover.

INSTALLER — show the owner the location of the circuit breaker. Mark it for easy reference.

Step 7: Backguard Installation (optional)



MODEL	9" LOW BACK	22" HIGH SHELF	FLUSH ISLAND TRIM
30"	PA30GLBH	PA30GHSB	Included with range
36"	PA36GLBH	PA36GHSB	Included with range
48"	PA48GLBH	PA48GHSB	Included with range

Table 3: Backguard Kit Model Numbers

Installation methods will vary upon need. Before you begin read these instructions carefully. Observe all local codes and ordinances.

Backsplash Installation

(PA [30, 36, 48] JBS)

PARTS INCLUDED	TOOLS NEEDED
 10 – 1" (25.4 mm) screws	Phillips screwdriver or drill
 1 – Backsplash	Tape measure
1 – Installation Guide	Pencil

The Backsplash must be installed prior to installing an overhead hood given that the hood shell covers the top mounting screws of the Backsplash.

To protect against scratches, leave protective film on Backsplash until after installation is complete.

If range is already installed, refer to the manufacturer's instructions to disconnect gas and power supplies. Move range forward to gain access to rear of unit.

WARNING!

To reduce the risk of fire or injury to persons, check to make sure all packaging has been removed from accessory devices before use.

1. Locate and lightly mark wall studs. Wall studs are usually installed with a 16" or 24" (406 or 610 mm) space on center.
2. The height of the hood will determine the height of the top edge of the Backsplash. The Backsplash should be mounted so that the bottom rear edge of the hood overlaps the Backsplash 1½" (38 mm).
3. Per each wall stud, use (2) 1" (25.4 mm) Phillips head screws to secure both the top and bottom of the Backsplash (see *Figure 14*). Space screws evenly across top and bottom of Backsplash.
 - Due to variable wall stud widths and varying Backsplash widths, in some cases only one wall stud may be found at the mounting location.
4. Remove protective plastic.

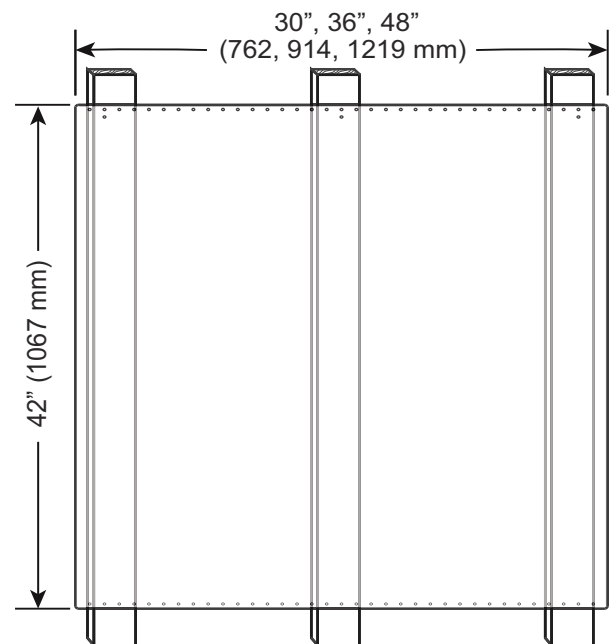


Figure 14: Backsplash Installation

Installing a Backsplash with a Keep Hot Shelf

A hood can be installed first if the Backsplash is to be installed with a Keep Hot Shelf given that the Keep Hot Shelf covers the top mounting screws of the Backsplash.

To protect against scratches, leave protective film on the Backsplash until after installation is complete.

If range is already installed, refer to the manufacturer's instructions to disconnect gas and power supplies. Move range forward to gain access to rear of unit.

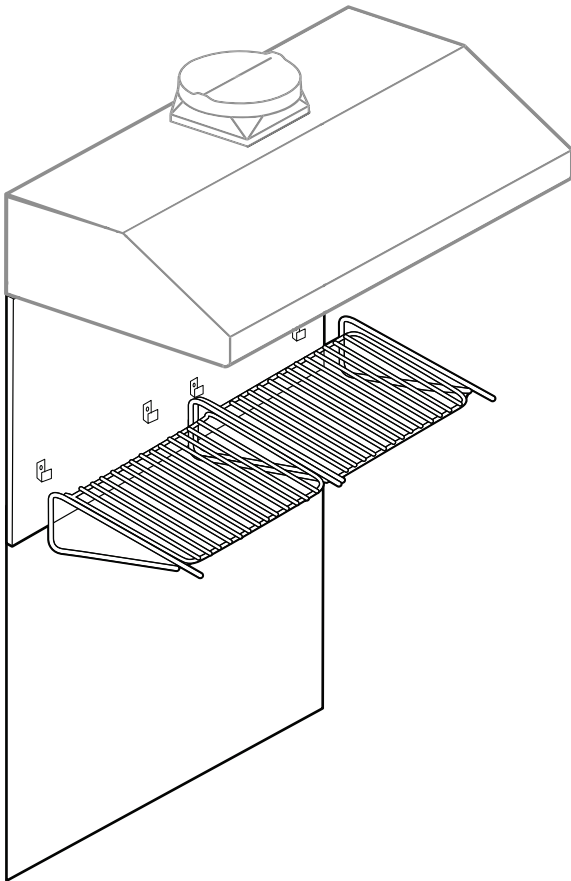


Figure 15: Backsplash with a Keep Hot Shelf

1. Locate wall studs. Wall studs are usually installed with a 16" (406 mm) or 24" (610 mm) space on center.
2. The height of the hood will determine the height of the top edge of the Backsplash. The Backsplash should be mounted so that the bottom rear edge of the Keep Hot Shelf overlaps the Backsplash 1½" (38 mm).
3. At the locations indicated in *Figure 16*, mount the lower shelf brackets included with the Keep Hot Shelf through the Backsplash and into the wall studs.
 - Due to variable wall stud widths and varying Backsplash widths, in some cases, only one wall stud may be found at the mounting location.
4. Remove Backsplash protective covering.
5. Start with the Keep Hot Shelf Installation.

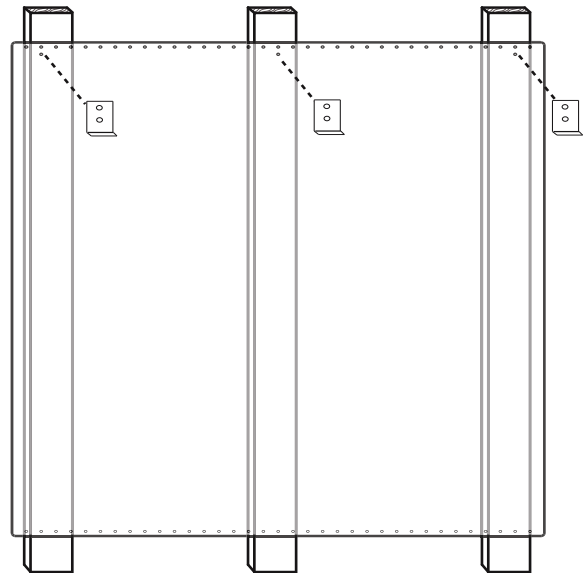


Figure 16: Backsplash with a Keep Hot Shelf

Keep Hot Shelf (KHS [30, 36, 42, 48] QS)

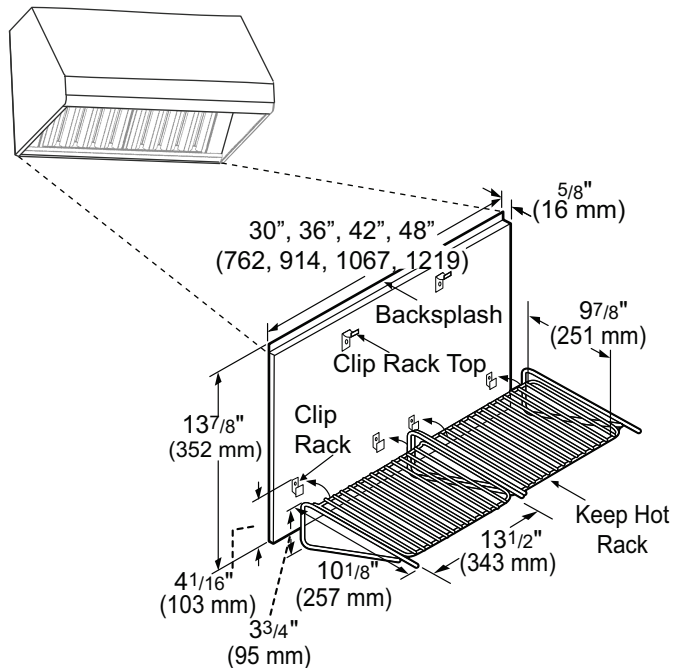


Figure 17: Keep Hot Shelf

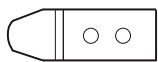
ITEMS INCLUDED



10 – 1" (25.4 mm) screws
4 – 1/2" (12.7 mm) screws



4 – U-Nuts



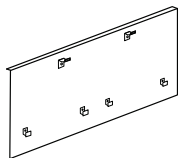
2 – Upper shelf brackets



4 – Lower shelf brackets



2 – Racks



1 – Wall Plate

1 – Installation guide & templates

TOOLS NEEDED

Tape measure

Phillips screwdriver or drill

Painter's Tape

Sharp knife or scissors

1. Tape the templates included with the Keep Hot Shelf to the wall accordingly:
 - Tape the sheet titled Left Hand Template to bottom and left end of hood. Align the bottom line of hood with the top line of the template.
 - Tape the sheet titled Right Hand Template to bottom and right end of hood. Align the bottom line of hood with the top line of the template.
 - Tape the sheet titled Installation Instruction so that the arrow at the top of the template aligns with hood centerline. Align the bottom line of the hood with the top line of the template.
 - Left to right sides of the template must be equal to length of shelf.
2. Mount the (2) upper shelf brackets and the (3) lower shelf brackets on the 30" & 36" models or (4) lower shelf brackets for the 48" model at the locations outlined on the templates. Secure with (10) 1" (25.4 mm) screws provided.
3. Cut template out from around the brackets and remove from the wall. Do not discard template before the Keep Hot Shelf is completely installed.
4. Insert U-Nuts onto each of the lower shelf brackets.
5. Install the wall plate by setting the corner notches (back of wall plate) atop the (2) upper shelf brackets.
6. Slide the shelf upwards until the bottom engages with the (3) lower brackets on the 30" & 36" models or (4) brackets for the 48" models (Figure 18).

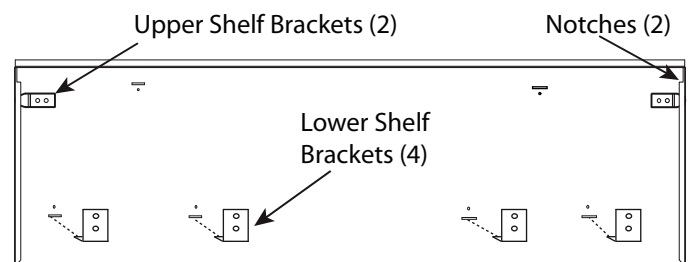


Figure 18: 48" Back of Wall Plate

7. Check if the top is properly secured by pulling the top section of the shelf from the wall.
8. Secure to bottom of shelf with the (4) 1/2" (12.7 mm) screws provided.

Backguard Installation

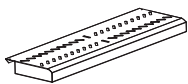
When installing against a combustable surface, a High Shelf or Low Backguard is required. A THERMADOR™ High Shelf or Low Backguard must be purchased separately. See “*Installation Clearances*” on page 5.

When using the Flush Island Trim, THERMADOR recommends a minimum 12” (305 mm) rear clearance to a combustable surface (see *Figure 1, Cabinet Clearances*). Clearances from non-combustible materials are not part of the ANSI Z21.1 scope and are not certified by CSA. Clearances of less than 12” (305 mm) must be approved by the local codes and/or by the local authority having jurisdiction.

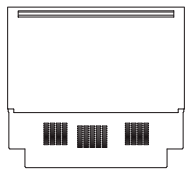
NOTE:

If a Backsplash is to be used in addition to a backguard, install the Backsplash first and the backguard second before sliding range into place.

HIGH SHELF PARTS INCLUDED



1 – High Shelf top panel



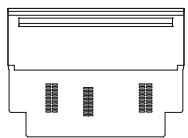
1 – High Shelf front panel



13 – T-20 Torx Stainless screws
14 or 16 – T-20 Torx drill point screws

1 – Installation Guide

LOW BACK PARTS INCLUDED



1 – Low Back panel



8 or 9 – T-20 Torx stainless screws
8 or 6 – T-20 Torx drill point screws

1 – Installation Guide

TOOLS NEEDED

T-20 Torx head screwdriver or drill

Protective Work Gloves

⚠ WARNING!

Fingers or hands could get pinched when installing the backguard. Severe injury could result. Use extreme caution and wear thick protective gloves to avoid potential laceration to finger or hand while sliding the backguard down onto the range.

⚠ CAUTION!

The High Shelf can get very hot! DO NOT place the following items on top of the High Shelf:

- plastics or containers that can melt
- flammable items
- a total load over 30 pounds (13.6kg)

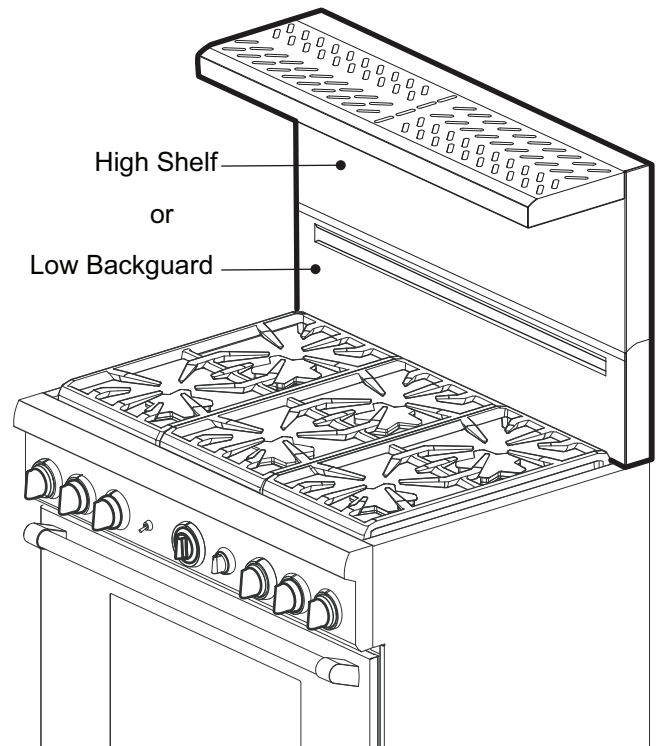


Figure 19: High Shelf & Low Back Front View

High Shelf Assembly

1. Remove protective plastic.
2. Slide the shelf onto the backguard panel.

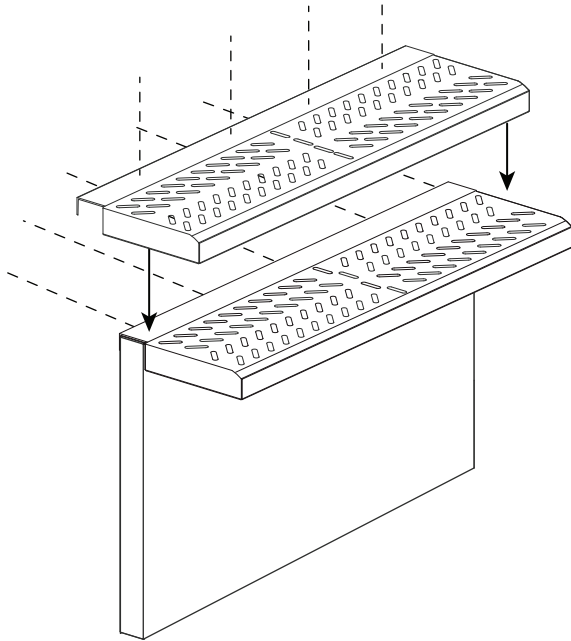


Figure 20: High Shelf Assembly Rear View

3. Install the included stainless screws along the top side of shelf and into the back of the shelf.
4. Begin with Backguard Installation.

Backguard Installation

1. Depending on model, remove the (3) or (4) T-20 Torx stainless screws in the front face of the included Flush Island Trim.

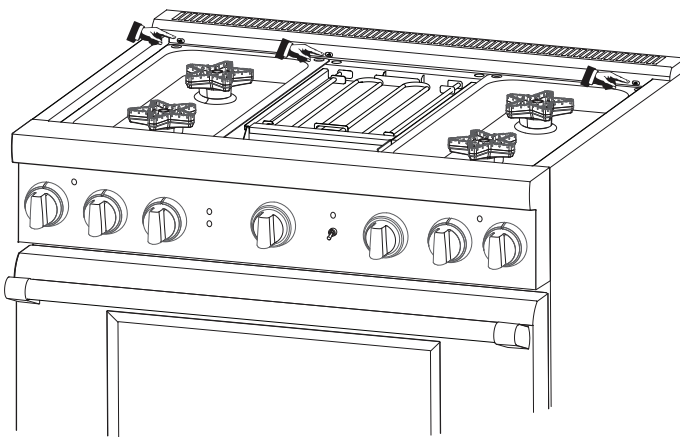


Figure 21: Flush Island Trim Front Face Screw Removal

2. Remove the (4) drill point screws securing the trim to the side panels, and the (2) to (4) drill point screws securing the piece to the back panel. Lift up to fully remove.

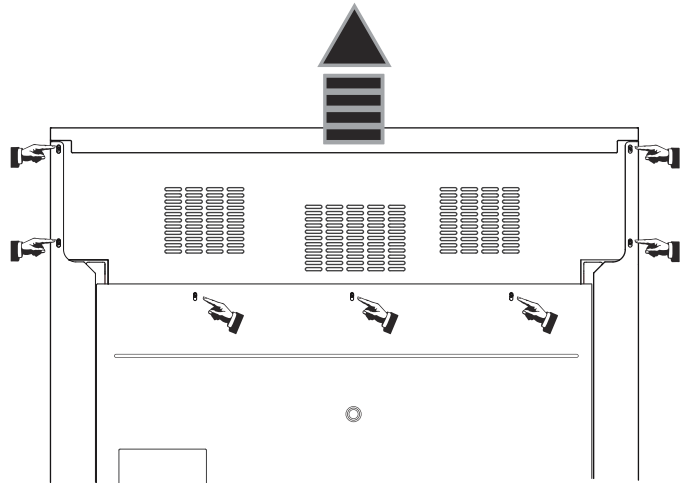


Figure 22: Flush Island Trim Rear Screw Removal

3. Align the back panel of the new accessory with the flanges on the range side panels right and left rear corners. The backguard is inserted inside the guide channels on the back of the range (Figure 23).

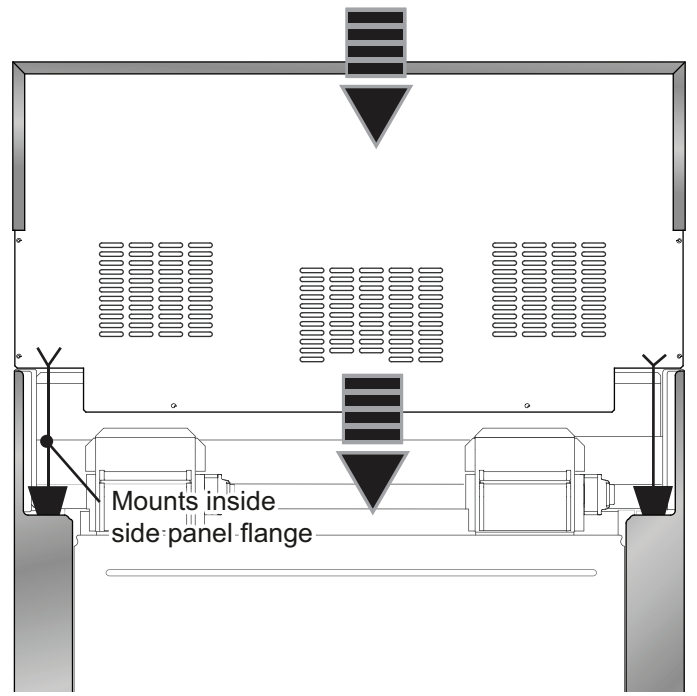


Figure 23: Backguard Installation

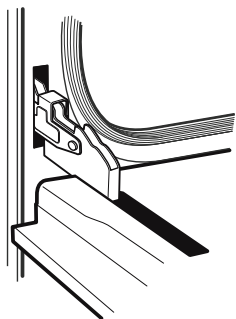
4. Make sure the backguard's front face is outside the flange on the front side of the range.
5. Re-install screws removed in Steps 1 and 2.

Step 8: Door Removal and Adjustment

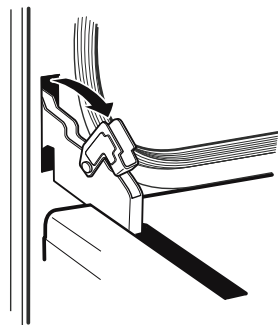
▲ CAUTION!

- USE CAUTION WHEN REMOVING THE DOOR. THE DOOR IS VERY HEAVY.
- Make sure oven is cool and power to the oven has been turned off before removing the door. Failure to do so could result in electrical shock or burns.
- The oven door is heavy and fragile. Use both hands to remove or replace the door.
- Failure to grasp the oven door firmly and properly could result in personal injury and product damage.
- With the door off, never release the levers and try to close the hinges. Without the weight of the door, the powerful springs will snap the hinges closed with great force.

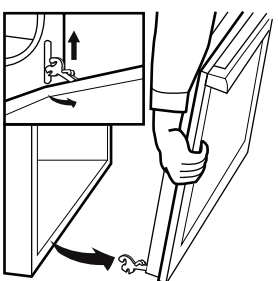
To Remove the Oven Door



1. Be sure to read the above CAUTION before attempting to remove the door.
2. Open the door fully.



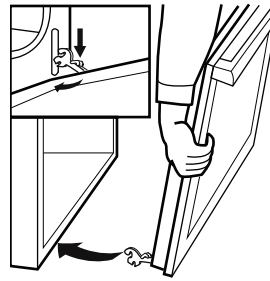
3. Flip hinge clip down. A screwdriver may be required to carefully pry the clip back.
4. Close the door gently until it stops against the hinge clips. The open hinge clips will hold the door open at a slight angle, about 30°, from the closed position.



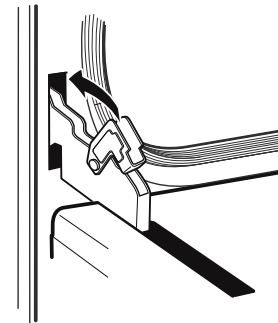
5. Grasp the door firmly on the ends of the door. Lift the door up and out. There will be some spring resistance to overcome.
6. Place the door in a safe and stable location.

Figure 24: Door Removal

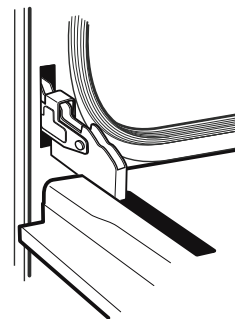
To Reinstall the Oven Door



1. Hold the door firmly in both hands.
2. Hold the door at a 30° angle from the closed position. Insert hinges centered evenly into the hinge slots. The hinges will securely hook into the slots when properly installed. DO NOT force, bend or twist the door.



3. Open door fully to expose hinges, levers, and slots.
4. Flip the hinge forward and down until seated on the bracket. A screwdriver may be required to carefully push the clip back.



5. Close and open the door slowly to ensure it is correctly and securely in place.

Figure 25: Door Install

To Check Door Fit and Operation:

1. Open and close the door slowly to test the movement and the fit of the door to the oven cavity. Do not force the door to open or close. If the door is properly installed, it should move smoothly and rest straight on the front of the range when closed.
2. The range must be level for proper alignment of the oven doors, see “Step 9: Placing and Leveling the Range”.
3. If the door does not operate correctly, verify that the hinges are properly seated into the hinge slots, and that the hinge clips are fully engaged into the slots.

- If door or handle appears slightly tilted, you may adjust the hinge receiver by rotating the large Torx-head screw located directly below the hinge receiver with a T-20 Torx driver. Rotate each screw respectively to its side and direction the door needs to be adjusted (Figure 26).

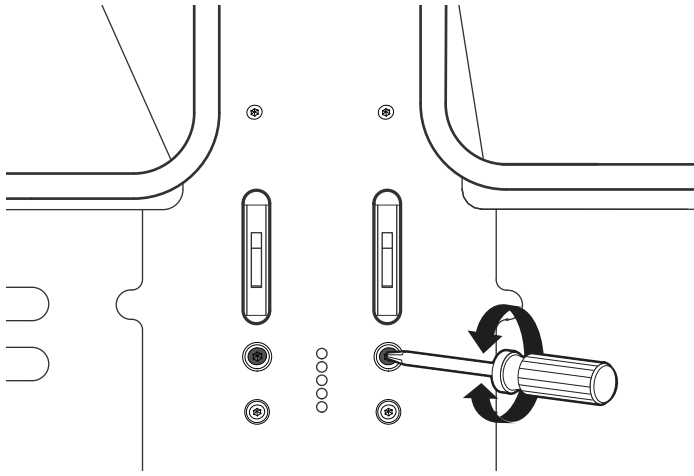


Figure 26: Hinge Receiver Adjustment Screw

Data Rating Label and Wiring Diagram Locations

Data rating labels contain the model and serial numbers. They can be found under the front edge of the rangetop, with oven door open or removed.

The electric wire diagrams and schematics are attached behind the kick panel, and should not be removed except by a service technician, then replaced after use.

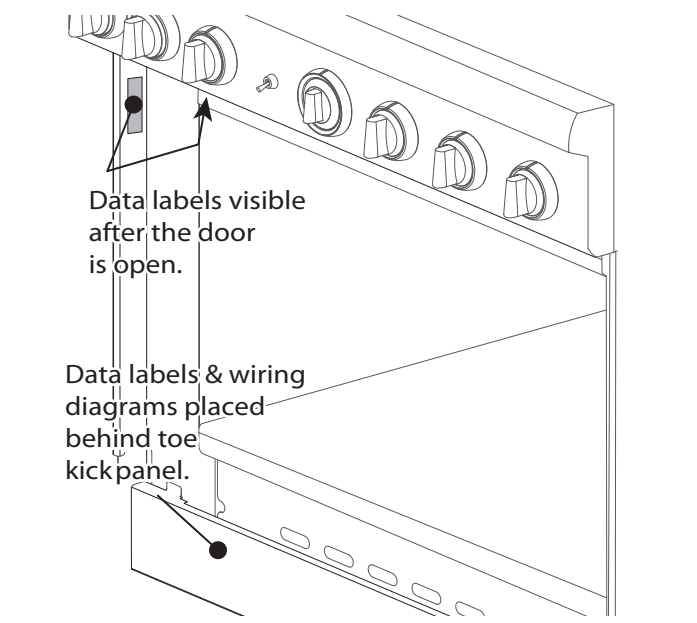


Figure 27: Data Rating Label Location

Step 9: Placing and Leveling the Range

Leveling Leg Adjustment

⚠ CAUTION!

The top edges of the range's side panels must be on the same or higher level as the adjacent countertop. If the range is operated while at a lower height relative to the adjacent cabinet, the cabinet could be exposed to excessive temperatures, causing damage to the cabinet and countertop (see Figure 29 on page 25).

For proper performance, the range must be level. This is especially important for all products that have the griddle feature. Priority should be placed on ensuring that the oven cavities are also level for optimum cooking performance.

- Measure the countertop heights first with a tape measure and add an additional 1/16" - 1/8" (2-3 mm). Adjust the legs accordingly prior to pushing the range back to its final location.
- Rotate the legs using a 12" (305 mm) adjustable wrench on the flat sides of each foot.

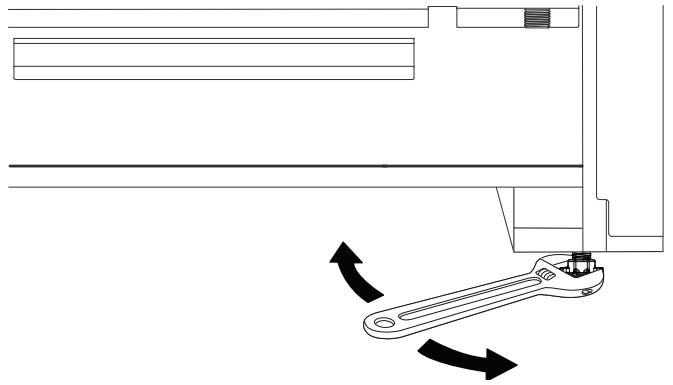


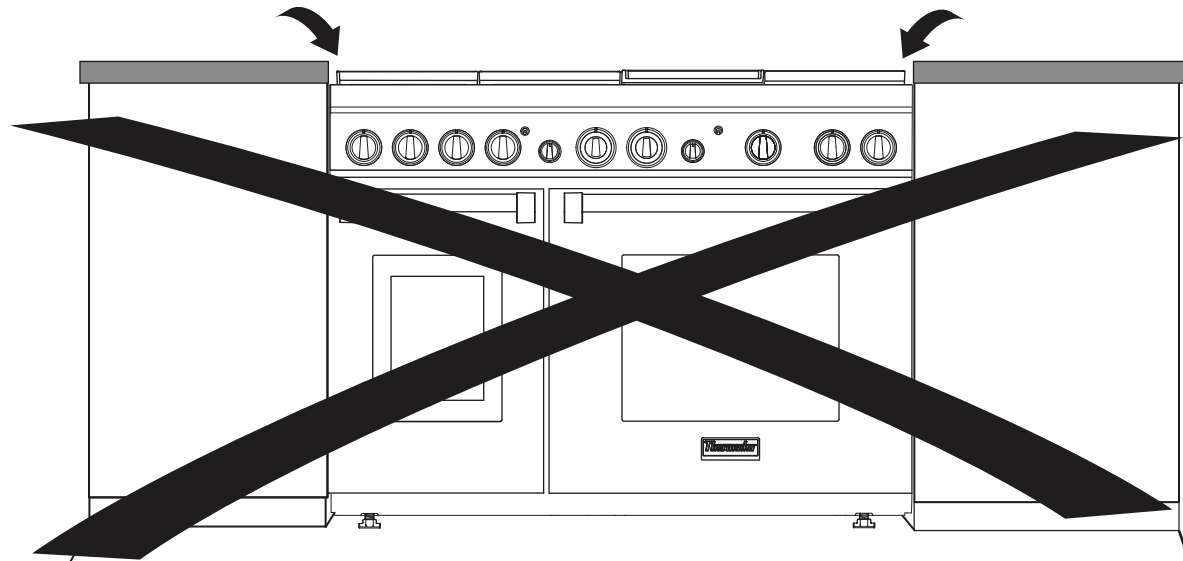
Figure 28: Leveling Legs

- Progression of the height adjustments should be alternated proportionally between the four corner legs, until the top edges of the range's side panels are close to matching the counter top height.
- Final height adjustments of the two rear legs take place before moving the range into its installed position in the cabinet.
- As the range is moved into its final, installed position, verify that the Anti-Tip Bracket is in a position to engage the leg (see "Step 4: Installing the Anti-Tip Device" on page 11). This can be verified by viewing through the opening near the floor.

6. With the range in the installed position, the final height adjustments are made to the two front legs to ensure proper alignment to the counter top.



CAUTION! DO NOT operate range if sides are lower than the adjacent cabinet. This may damage the cabinet and counter top due to excessive temperatures.



CORRECT! Leveling legs should be adjusted so that the range sides are at the same or higher level as the adjacent cabinet.

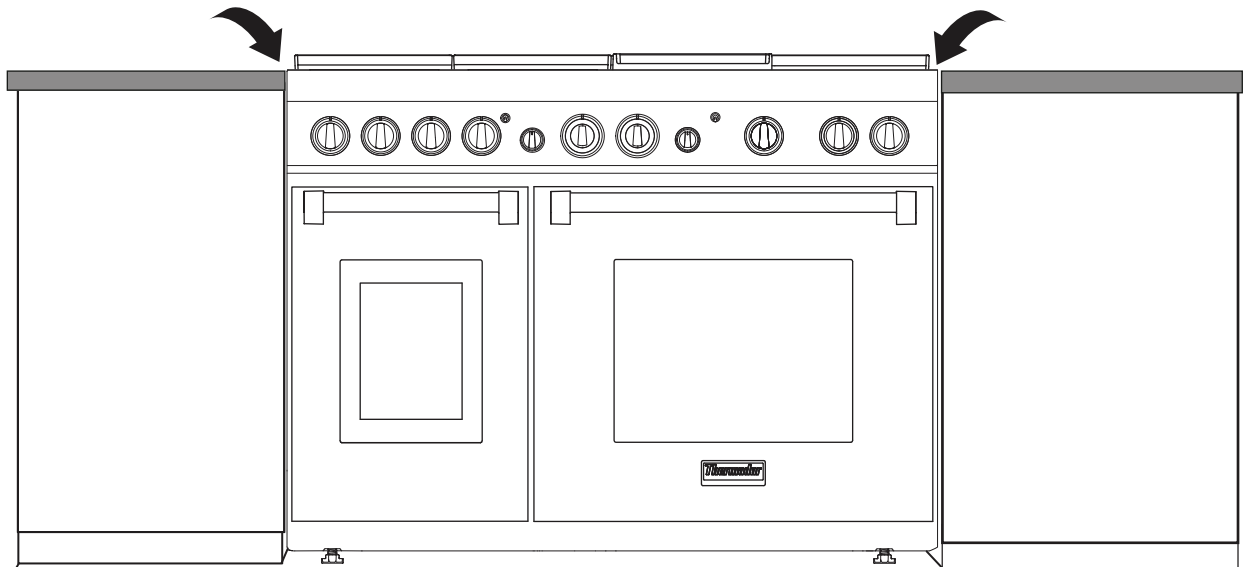


Figure 29: Adjusting the Height of the Range

Griddle Tilt Adjustment (not all models)

If the range is equipped with an electric griddle, check the griddle frame adjustment by pouring two tablespoons of water on the back of the griddle plate. The water should slowly roll into the grease tray. If not, adjust the two screws under the back of the frame. Start with one half turn counterclockwise (CCW) of the screws. Further adjustment should be made by one-quarter turn until water slowly flows into the grease tray.

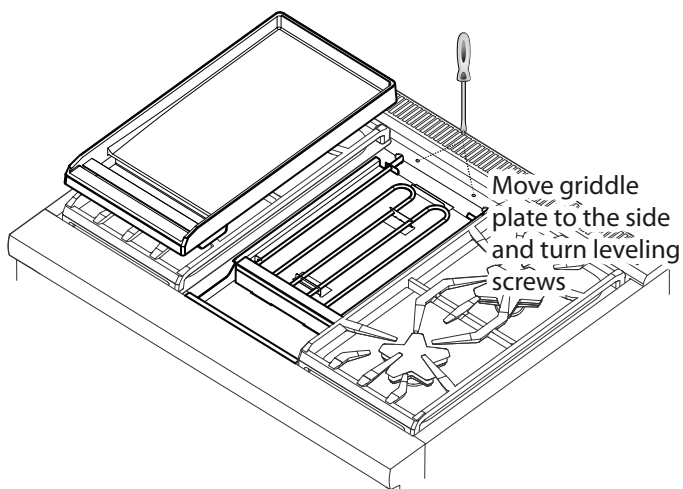


Figure 30: Griddle Leveling Screws

WARNING!

To avoid risk of injury, never operate the griddle without the griddle plate installed. Never use griddle in a manner that is not prescribed by the Use and Care Guide.

The griddle plate must always be in place when the griddle is turned on.

Assembling the Grill (not all models)

Refer to "Using the Electric Grill" in the Use and Care Guide.

Adjusting the Kick Panel

To adjust the kick panel do the following:

1. Remove the kick panel screws using a T-20 Torx screwdriver.
2. Relocate kick panel at one of the five screw hole positions, as noted below. Reinstall Torx screw.

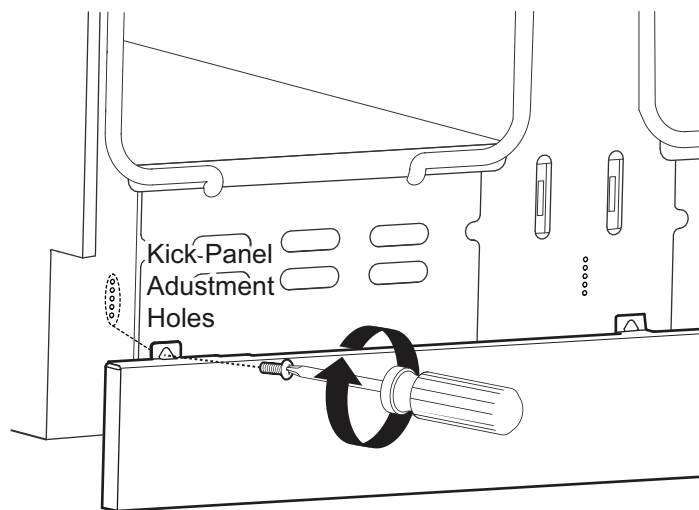


Figure 31: Kick Panel Adjustment

3. Repeat with the remaining kick panel screws, assuring kick panel is level.
 - The range kick panel should maintain a minimum $\frac{1}{2}$ " (12.7 mm) clearance above the floor.

Step 10: Burner Test

Install any loose components, such as burner caps and grates, that may have been removed earlier. Be certain that burner caps seat properly into the burner bases. Before testing operation of the appliance, verify that the unit and the gas supply have been carefully checked for leaks and that the unit has been connected to the electrical power supply. Turn the manual gas shut-off valve to the open position.

NOTICE:

All oven knobs and selectors must be set to OFF before powering up the range. To prevent unintended operation at power up, please set all oven knobs to OFF. To ensure customer safety in the event of power failure, the unit will display an error message upon reinstatement of power unless all oven knobs are set to OFF. Set all oven knobs to OFF and reset the breaker to clear the message.

Test Rangetop Burners

Test Burner Ignition

Select a rangetop burner knob. Push in and turn counterclockwise to HI. The ignitor/spark module will produce a clicking sound. Once the air has been purged from the supply lines, the burner should light within four (4) seconds.

Test Flame: High Setting

Turn burner on to HI. See *Figure 32* for appropriate flame characteristics.

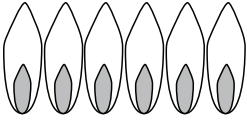
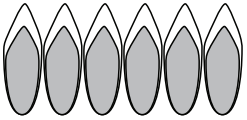
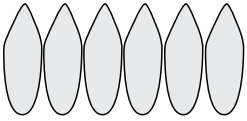
If any of the rangetop burners continue to burn mostly or completely yellow, verify that the burner cap is positioned properly on the burner base, then retest. If flame characteristics do not improve, call THERMADOR.

Test Flame: Simmer Setting

Turn burner on to SIM. Verify that the flame completely surrounds the burner. There should be a flame at each burner port and there should be no air gap between the flame and the burner. Fan each of the flames out and allow to reignite to verify burner reignition. If any burners do not carry over, call THERMADOR.

The two rangetop burners on the left side feature XLO[®], causing the flame to cycle on and off when the knob is set to the XLO range. This is normal operation.

Repeat the Ignition and Flame Test procedures, described for each rangetop burner.

<p>Yellow Flames: Further Adjustment is required.</p>	
<p>Yellow Tips on Outer Cones: Normal for LP Gas</p>	
<p>Soft Blue Flames: Normal for Natural Gas</p>	

If the flame is completely or mostly yellow, verify that the regulator is set for the correct fuel. After adjustment, retest.

Some orange-colored streaking is normal during the initial start-up. Allow unit to operate 4-5 minutes and re-evaluate before making adjustments.

Figure 32: Flame Characteristics

When Flame is Properly Adjusted:

There should be a flame at each burner port. There should be no air gap between the flame and burner port.

Call THERMADOR[®] if:

1. Any of the burners do not light.
2. Any of the burners continue to burn yellow.

Installer Checklist

- Specified clearances maintained to cabinet surfaces.
- Unit level – front to back – side to side.
- Burner caps positioned properly on burner bases.
- All packaging material removed.
- A Flush Island Trim or backguard attached according to instructions.
- Kick panel in place and screws secure.
- Verify flame at each burner. The flame should appear as described in Step 10. Flame may need to burn for several minutes to remove impurities from the gas lines.
- Verify that the ExtraLow[®] feature works and relights around the entire burner.
- Griddle is tilted slightly forward and does not rock (not all models).
- Oven door hinges seated and hinge locks in proper position. Door opens and closes properly.
- Burner grates correctly positioned, level and do not rock.
- Start self-clean. When CLEANING light comes on, verify that door is locked. Cancel self clean mode.
- INSTALLER:** Write the model number and serial number (see “*Data Rating Label Location*” on page 24 for location) in the Use and Care Guide. Leave the Use and Care Guide and Installation Manual with the owner of the appliance.

Gas Supply

- Manual gas shut off valve installed in an accessible location (without requiring removal of range). Owner is aware of location of the gas shut-off valve.
- The appliance is connected only to the type of gas for which it is certified for use.
- Unit tested and free of gas leaks.
- If used on propane gas, verify that the propane gas supply is equipped with its own high pressure regulator in addition to the pressure regulator supplied with the appliance.
- Gas Connection: ¾” (19 mm) N.P.T. with a min. ¾” (19 mm) diameter flex line.

Electrical

- Receptacle with correct over-current protection is provided for service cord connection.
- Proper ground connection.
- Owner is aware of location of the main circuit breaker.

Operation

- Bezels centered on burner knobs, and knobs turn freely.
- Each burner lights satisfactorily, both individually and with other burners operating.

Clean and Protect Exterior Surfaces

- The stainless steel surfaces may be cleaned by wiping with a damp soapy cloth, rinsing with clear water and drying with a soft cloth to avoid water marks. Any mild glass cleaner will remove fingerprints and smears.
- For discolorations or deposits that persist, refer to the Use and Care Guide.
- To polish and protect the stainless steel, use a cleaner/polish such as Stainless Steel Magic[®].
- **DO NOT** allow deposits to remain for long periods of time.
- **DO NOT** use ordinary steel wool or steel brushes. Small bits of steel may adhere to the surface causing rust.
- **DO NOT** allow salt solutions, disinfectants, bleaches or cleaning compounds to remain in contact with stainless steel for extended periods. Many of these compounds contain chemicals which could prove harmful. Rinse with water after exposure and wipe dry with a clean cloth.

Troubleshooting

See Use and Care Guide for troubleshooting information.

Table des Matières

Consignes de Sécurité	1
Consignes d'Installation	3
Renseignements de planification	3
Étape 1 : Exigences pour la ventilation	3
Étape 2 : Préparation de l'emplacement de l'armoire	4
Étape 3 : Déballage, manutention et mise en place de la cuisinière	9
Étape 4 : Installation du dispositif antibascule	11
Étape 5 : Exigences de l'alimentation du gaz et raccordement	13
Étape 6 : Exigences électriques, connexions et mise à la terre	15
Étape 7 : Installation du dossieret	18
Étape 8 : Retrait et installation de la porte	23
Étape 9 : Mise en place et nivelage de la cuisinière	24
Étape 10 : Test des brûleurs	27
Liste de vérification à l'intention de l'installateur	28
Entretien, Pièces et Accessoires	page verso

Cet appareil électroménager de THERMADOR^{mc}
est fait par BSH Home Appliances Ltd.
6696 Financial Drive, Unit 3
Mississauga, ON L5N 7J6

Des questions?

1-800-735-4328

www.thermador.ca

Nous attendons de vos nouvelles!

CONSIGNES DE SÉCURITÉ



CONSIGNES DE SÉCURITÉ IMPORTANTES LISEZ ET CONSERVEZ CES INSTRUCTIONS

Avant de commencer

IMPORTANT : Conservez ces instructions pour l'inspecteur de la société gazière de votre localité.

INSTALLATEUR : Veuillez laisser ces instructions d'installation avec l'appareil pour le propriétaire.

PROPRIÉTAIRE : Veuillez conserver ces instructions pour consultation ultérieure.

AVERTISSEMENT!



Coupez l'électricité avant d'installer l'appareil. Avant de rétablir l'électricité, assurez-vous que toutes les commandes sont à la position OFF.

AVERTISSEMENT!

Si les directives du présent manuel ne sont pas respectées scrupuleusement, des incendies ou des décharges électriques pourraient être à l'origine de dommages matériels ou de blessures corporelles, ou même entraîner la mort.

- N'entrez pas et n'utilisez pas d'essence ou d'autres produits inflammables à proximité de la cuisinière ou de tout autre appareil.
- **SI VOUS DÉTECTEZ UNE ODEUR DE GAZ**
 - N'allumez aucun appareil.
 - Ne touchez pas aux interrupteurs électriques.
 - N'utilisez pas les téléphones du bâtiment où vous trouvez.
 - Appelez immédiatement votre société gazière chez un voisin et suivez les instructions qu'elle vous donne.
 - Si vous n'arrivez pas à contacter votre société gazière, appelez le service d'incendie.
- L'installation et les travaux d'entretien doivent être réalisés par un installateur qualifié, un centre de réparation agréé ou une société gazière.

ATTENTION!

Cet appareil est conçu pour une utilisation culinaire. Pour des raisons de sécurité, ne l'utilisez jamais pour chauffer une pièce.

IMPORTANT:

Les réglementations locales varient. L'installation, le branchement au gaz et la mise à la terre doivent être conformes à toutes les réglementations en vigueur.

AVERTISSEMENT!



Un enfant ou un adulte pourrait faire basculer l'appareil et perdre la vie. Assurez-vous que le dispositif anti-bascule a été convenablement installé et que la patte de l'appareil est retenue par le support lorsque vous remettez la cuisinière en place.

Ne faites pas fonctionner l'appareil si le support anti-bascule n'est pas en place.

La non-observation des instructions du présent manuel peut entraîner la mort ou causer de graves brûlures à des enfants ou des adultes.

Assurez-vous que le support anti-bascule est bien installé et dûment utilisé. Faites doucement basculer la cuisinière vers l'avant en la tirant par l'arrière pour vous assurer que la patte de l'appareil est bel et bien entrée dans le support anti-bascule et que l'appareil ne peut se renverser. La cuisinière ne devrait pas pouvoir bouger de plus d'un pouce (2,5 cm).

Pour les installations au Massachusetts :

1. L'installation doit être réalisée par un entrepreneur qualifié ou accrédité, un plombier ou un installateur de gaz qualifié ou autorisée par l'État, la province ou la région dans laquelle cet appareil est installé.
2. La vanne d'arrêt de gaz doit être pourvue poignée en « T ».
3. La longueur du tuyau de gaz ne doit pas excéder 36 po (914 mm).

INSTRUCTIONS DE MISE À LA TERRE

Cet appareil doit être mis à la terre. La mise à la terre réduit les risques de décharge électrique en fournissant au courant électrique un fil d'échappement lors d'un court-circuit.

CONSIGNES DE SÉCURITÉ IMPORTANTES **LISEZ ET CONSERVEZ CES INSTRUCTIONS**

NOTE:

Cette cuisinière **N'EST PAS** conçue pour les maisons mobiles préfabriquées ni pour les véhicules récréatifs. N'installez PAS cet appareil à l'extérieur.

Vérification du type de gaz

Vérifiez le type d'alimentation en gaz fourni sur le lieu d'installation. L'appareil doit être raccordé au type de gaz pour lequel il est certifié. Tous les modèles sont certifiés pour une utilisation avec gaz naturel. Conversion sur place pour utilisation au gaz propane exigeant le nécessaire de conversion.

AVERTISSEMENT!

Avertissements de la Proposition 65 de l'État de la Californie :

Ce produit contient des produits chimiques connus de l'État de la Californie pour causer le cancer, des anomalies congénitales ou d'autres problèmes de reproduction.

Approvisionnement en gaz

Gaz naturel — 6 po (14,9 mb) min. à 14 po (34,9 mb) max. de colonne d'eau

Gaz propane — 11 po (27,4 mb) min. à 14 po (34,9 mb) max. de colonne d'eau

ATTENTION!

Lorsque vous branchez l'appareil au gaz propane, assurez-vous que le réservoir de gaz propane est muni de son propre mécanisme régulateur à haute pression en plus du régulateur à haute pression fourni avec l'appareil. La pression de gaz maximale de cet appareil ne devrait pas excéder 14,0 pouces (34,9 mb) de colonne d'eau entre le réservoir de propane et le régulateur à haute pression.

Alimentation électrique

Consultez la section « *Étape 7 : Installation du dossieret (optionnel)* » pour obtenir des spécifications.

Vérifiez code de la construction locale en vigueur pour connaître la bonne méthode d'installation de l'appareil. L'installation, le branchement électrique et la mise à la terre doivent respecter toutes les réglementations en vigueur. Les réglementations locales varient et il est de la responsabilité de l'installateur de s'assurer de la conformité de l'installation avec ces réglementations. S'il n'y a pas de

réglementations locales, l'appareil doit être installé conformément au code national américain actuel sur les gaz combustibles ANSI Z223.1/ NFPA 54 et au code national américain actuel de l'électricité ANSI/NFPA No 70.

Au Canada, l'installation doit être conforme aux normes canadiennes CAN 1-B149.1 et CAN 1-B149.2 pour l'installation d'appareils fonctionnant au gaz, et/ou aux réglementations locales en vigueur. système de ventilation au-dessus de la surface de cuisson n'est pas recommandée.

Cet appareil est conforme à une ou à plusieurs des normes suivantes :

- UL 858 – norme visant la sécurité en matière de cuisinières électriques domestiques
- ANSI Z21.1 – norme américaine régissant les appareils électroménagers de cuisson au gaz
- CAN/CSA-C22.2 No 61-08 – cuisinières domestiques
- CAN/CGA1.1-M81 régissant les cuisinières à gaz domestiques

Il est de la responsabilité du propriétaire et de l'installateur de déterminer les exigences ou les normes supplémentaires pouvant s'appliquer à des installations particulières.

IMPORTANT:

Lors d'une installation contre une surface combustible, vous devez utiliser une étagère haute ou un dossieret bas. Vous pouvez vous acheter séparément ces articles THERMADOR.

Lors de l'utilisation de la garniture d'îlot THERMADOR, il faut un espace minimal de 12 po (305 mm) entre la partie arrière de l'appareil et la surface combustible (voir *Figure 1 à la page 5*). Les espaces libres jusqu'aux surfaces non combustibles ne sont pas précisés dans la norme ANSI Z21.1 et ne sont pas certifiés par la CSA. Tout espace libre de moins de 12 po (305 mm) doit être approuvé par les normes locales ou l'autorité locale ayant compétence.

Voir la tablette du dossieret à la *page 18* pour les modèles de dossieret appropriés pour cet appareil. Une fois le dossieret choisi, l'appareil doit être installé adéquatement en utilisant les espaces libres minimaux pour surfaces combustibles spécifiées dans les instructions « *Étape 2 : Préparation des armoires* » à la *page 4*.

AVERTISSEMENT!

Pour éviter tout risque de brûlure ou d'incendie, un dossieret de protection conçu spécialement pour cette cuisinière doit être installé avant son utilisation.

Consignes d'Installation

Renseignements de planification

Avant d'utiliser votre appareil, assurez-vous de lire le présent manuel. Portez une attention particulière aux **Consignes de sécurité importantes** apparaissant au début du manuel.

OUTILS REQUIS	
Clé polygonale ou à cliquet de 7/16" po	Mèche de 3,17 mm
Mèche de 4,76 mm	Clé ajustable de 305 mm
Perceuse à main ou électrique	Ruban à mesurer
Tournevis plat et Phillips	Instrument de marquage
Niveau	Plate-forme à roulettes
Tournevis Torx T-20	Gants de protection
ARTICLES NON INCLUS	
Vis d'ancrage pour cloison sèche et béton	Composé/ruban pour tuyau
Corde/ficelle	Tuyau souple de 19 mm
Bride de cordon	2 – adaptateurs pour bride
Trousse de câbles ou conduit	



Enlevez tout le matériel d'emballage et les étiquettes temporaires du four et de la table de cuisson. Veuillez recycler le matériel d'emballage, car tout ce que THERMADOR utilise pour emballer ses appareils est recyclable.

Étape 1 : Exigences en matière de ventilation

Consultez le *Guide de planification de ventilation* pour connaître les combinaisons de ventilation approuvées.

Il est fortement recommandé d'installer une hotte de ventilation THERMADOR au-dessus de la cuisinière. Une ventilation par aspiration descendante ne devrait pas être utilisée.

Vous ne devriez pas utiliser un système de ventilation par aspiration descendante. Le *Guide de planification de ventilation*, indique les différentes hottes en option ainsi que des directives relatives à la capacité recommandée des ventilateurs à utiliser avec l'une ou l'autre des cuisinières THERMADOR.

N'installez pas un combiné hotte/four à micro-ondes au-dessus de la cuisinière. Ces appareils ne fournissent pas une ventilation appropriée et ne sont pas conçus pour être utilisés avec une cuisinière.

IMPORTANT :

Les hottes et les ventilateurs sont conçus pour être utilisés avec un seul conduit mural. Cependant, certains inspecteurs ou codes du bâtiment exigent l'utilisation d'un conduit double. Consultez le code de la construction en vigueur ou des organismes locaux avant d'entreprendre les travaux pour vous assurer que l'installation de la hotte et des conduits répond aux exigences locales.

AVIS :

La plupart des hottes contiennent des matériaux combustibles qui doivent être pris en considération lors de la planification de l'installation.

AVERTISSEMENT!

Vous ne devriez pas installer cet appareil avec un système de ventilation à aspiration descendante. Ce type de système de ventilation peut présenter des risques d'incendie et des problèmes de combustion et ainsi entraîner des blessures corporelles, des dommages matériels ou un fonctionnement involontaire. Aucune restriction ne s'applique aux systèmes de ventilation à aspiration ascendante.

Préparation de la ventilation

1. Choix des modèles de hotte et de ventilateur :

- Pour les installations murales, la largeur de la hotte doit être au moins égale à celle de la cuisinière. Si l'espace le permet, il est souhaitable d'installer une hotte plus large que la table de cuisson pour assurer une meilleure ventilation.
- Pour les installations en îlot, la largeur de la hotte devrait excéder celle de la cuisinière d'au moins 3 po (76 mm) de chaque côté.

2. Emplacement de la hotte :

- Pour une évacuation accrue de la fumée, la bordure inférieure de la hotte doit se trouver à 30 po (762 mm) au-dessus de la table de cuisson. Utilisez un espace libre d'au moins 36 po (914 mm) si des éléments combustibles, comme des panneaux en bois, se trouvent dans la hotte (*Figure 1*).

3. Air d'appoint :

- Compte tenu de l'important volume d'air requis, il est recommandé de prévoir un apport d'air de l'extérieur. Cet aspect revêt une importance particulière pour les maisons bien isolées et très étanches.

Étape 2 : Préparation des armoires

- La cuisinière est un appareil monobloc. Si l'appareil est installé entre deux armoires, les espaces libres indiqués à la *Figure 1*. Les mêmes espaces libres s'appliquent aux installations en îlot, sauf pour les armoires suspendues, où il doit y avoir suffisamment d'espace pour une hotte de style îlot avec un rebord.
- Les entrées d'électricité et de gaz doivent se trouver dans les zones indiquées à la *Figure 4*.
- Toute ouverture dans le mur derrière l'appareil ou dans le plancher sous l'appareil doit être scellée.
- Lors d'une installation contre une surface combustible, vous devez utiliser une étagère haute ou un dossierer bas. Vous pouvez vous acheter séparément ces articles THERMADOR™.
- Lors de l'utilisation de la garniture d'îlot THERMADOR, il faut un espace minimal de 12 po (305 mm) entre la partie arrière de l'appareil et la surface combustible. Les espaces libres jusqu'aux surfaces non combustibles ne sont pas précisés dans la norme ANSI Z21.1 et ne sont pas certifiés par la CSA. Tout espace libre de moins de 12 po (305 mm) doit être approuvé par les normes locales ou l'autorité locale ayant compétence.
- Lorsque la cuisinière est installée contre un mur combustible, un espace libre d'au moins 5 po (127 mm) est requis entre le côté de la cuisinière et le mur.

- L'appareil ne doit jamais se trouver à proximité de matériaux combustibles, d'essence et d'autres produits inflammables sous forme de gaz ou de liquide.
- N'obstruez pas le débit d'air de combustion et de ventilation de l'appareil.
- La profondeur maximale des armoires, installées d'un côté ou de l'autre au-dessus de la hotte, devrait être de 13 po (330 mm).
- Un espace libre minimal de 36 po (914 mm) est nécessaire entre la surface de cuisson et le dessous de toute armoire non protégée. Un espace libre de 30 po (762 mm) peut être utilisé lorsque la partie inférieure d'une armoire en bois ou en métal est protégée par un matériau ignifuge d'une épaisseur minimale de ¼ po (6,35 mm) revêtu d'une feuille d'acier no 28 MSG, d'acier inoxydable de 0,015 po (0,38 mm), d'aluminium de 0,024 po (0,61 mm) ou de cuivre de 0,020 po (0,51 mm).

Les matériaux ignifuges portent la marque suivante :

UNDERWRITERS LABORATORIES INC. CLASSIFIED MINERAL AND FIBER BOARDS SURFACE BURNING CHARACTERISTICS (caractéristiques relatives à l'inflammabilité de panneaux de fibres et de minéraux classés).

Cette indication est suivie par des indices de propagation de flamme et de fumée. Ces désignations sont indiquées par le sigle « FHC » (Flame Spread/Smoke Developed – Propagation de la flamme/Production de fumée). Les matériaux ayant un indice de propagation de flamme de 0 sont ignifuges. La réglementation locale peut autoriser un indice de propagation de flamme différent. Il est de la responsabilité de l'installateur de veiller à ce que l'installation se fasse conformément à ces indices.

Espaces libres pour l'installation

- Cuisinières de 30 po { Largeur de hotte : 30 (762) ou 36 po (914 mm)
Installation en îlot : 36 (914) ou 42 po (1067 mm)
- Cuisinières de 36 po { Largeur de hotte : 36 (914) ou 42 po (1067 mm)
Installation en îlot : 42 (1067) ou 48 po (1219 mm)
- Cuisinières de 48 po { Largeur de hotte : 48 (1219), 54 (1372) ou 60 po (1524 mm)
Installation en îlot : 54 po (1372 mm)

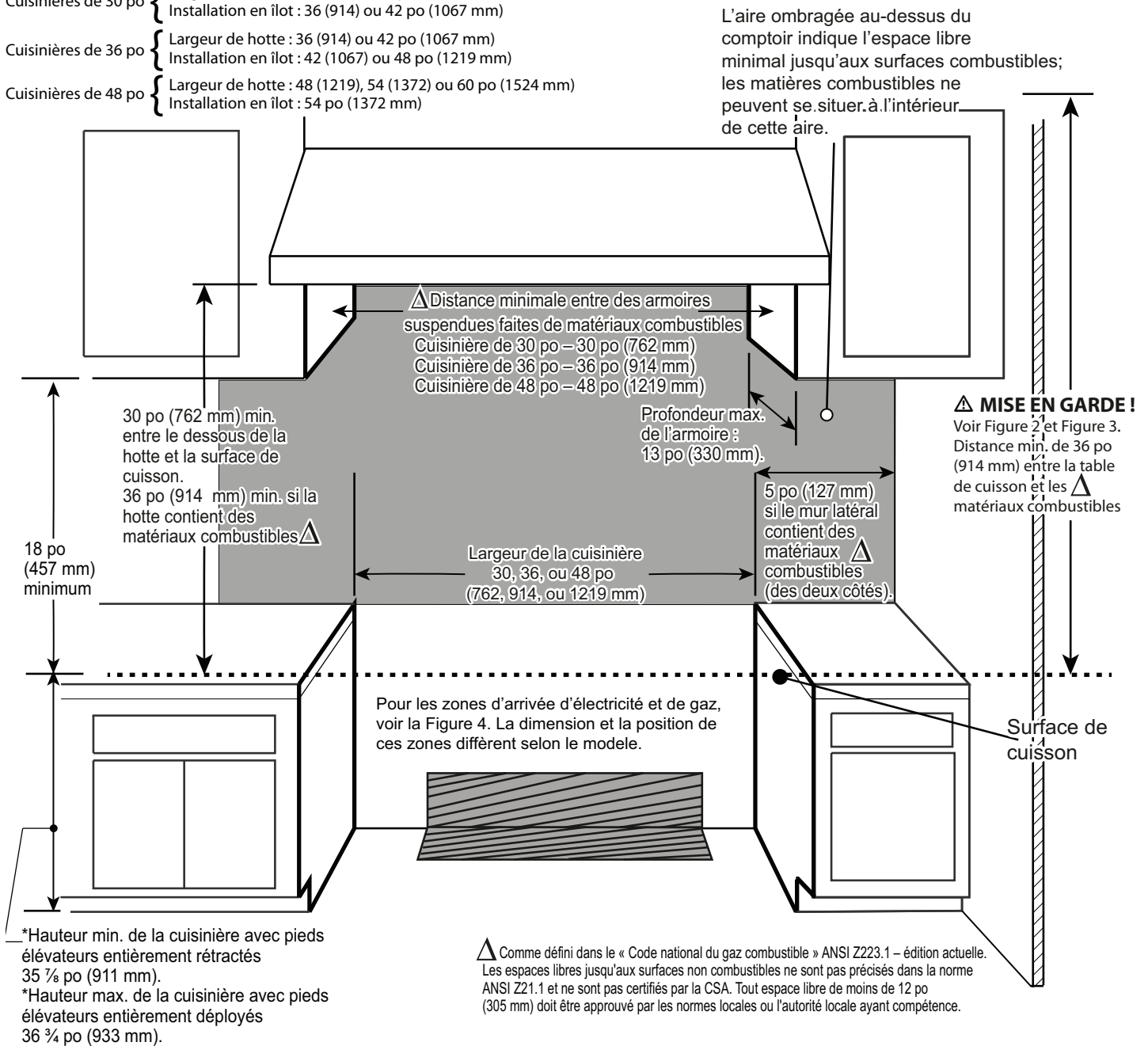
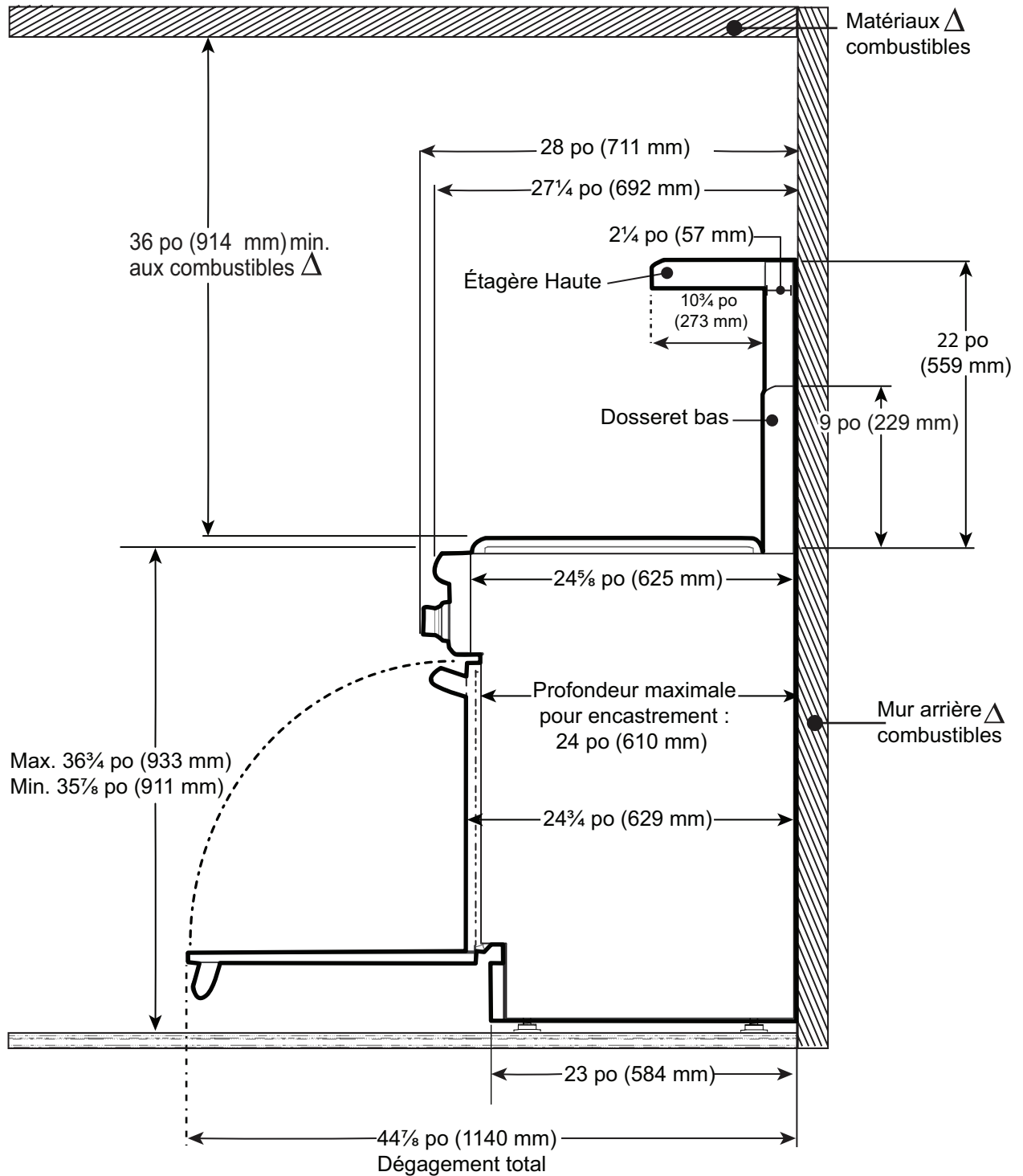


Figure 1 : Espace libre – Armoires

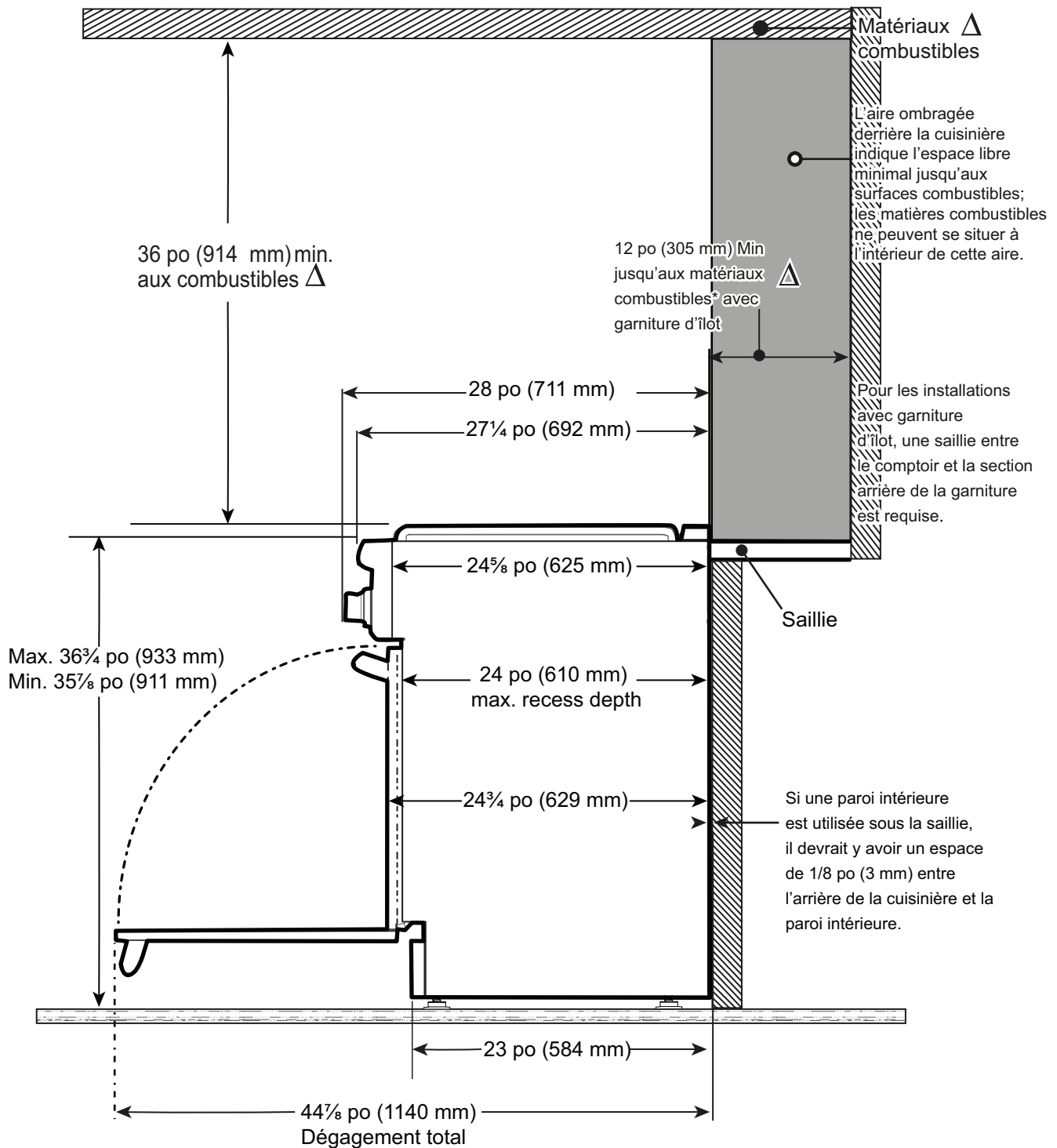
Installation avec dossieret bas ou étagère haute



Δ Comme défini dans le « Code national du gaz combustible » ANSI Z223.1 – édition actuelle. Les espaces libres jusqu'aux surfaces non combustibles ne sont pas précisés dans la norme ANSI Z21.1 et ne sont pas certifiés par la CSA. Tout espace libre de moins de 12 po (305 mm) doit être approuvé par les normes locales ou l'autorité locale ayant compétence.

Figure 2 : Installation avec dossieret bas ou étagère haute

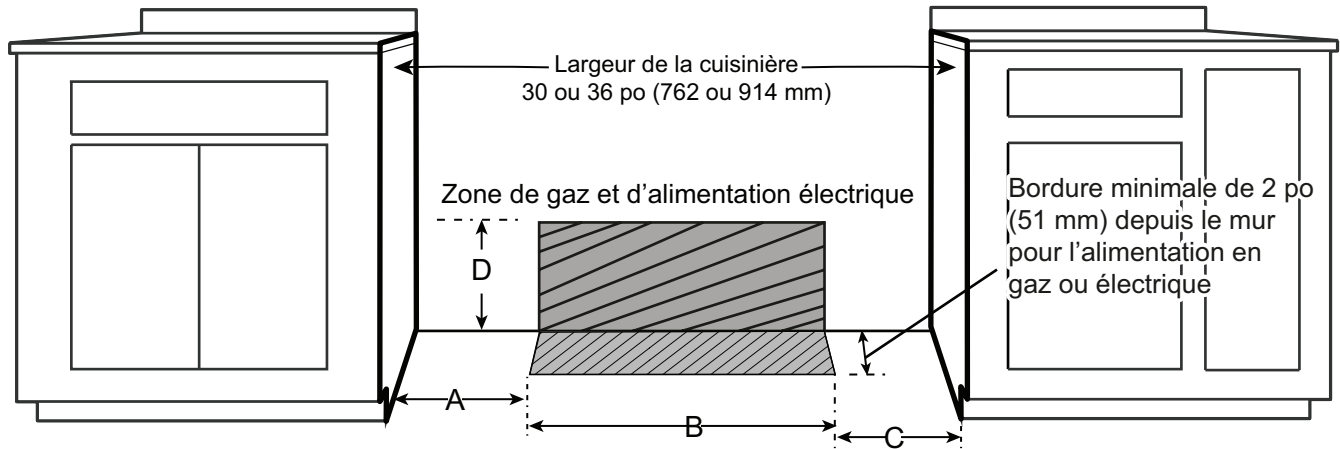
Installation avec Garniture d'îlot encastrée



Δ Comme défini dans le « Code national du gaz combustible » ANSI Z223.1 – édition actuelle. Les espaces libres jusqu'aux surfaces non combustibles ne sont pas précisés dans la norme ANSI Z21.1 et ne sont pas certifiés par la CSA. Tout espace libre de moins de 12 po (305 mm) doit être approuvé par les normes locales ou l'autorité locale ayant compétence.

Figure 3 : Installation avec Garniture d'îlot encastrée

Emplacement de l'alimentation électrique et en gaz pour les cuisinières à combustion jumelée 30" et 36"



Model	A	B	C	D
30" (762 mm)	5 ³ / ₄ " (146 mm)	18 ⁷ / ₁₆ " (468 mm)	5 ¹³ / ₁₆ " (148 mm)	4 ³ / ₈ " (111 mm)
36" (913 mm)	8 ¹ / ₁₆ " (205 mm)	19 ¹³ / ₁₆ " (503 mm)	8 ¹ / ₈ " (206 mm)	4 ³ / ₈ " (111 mm)

Emplacement de l'alimentation électrique et en gaz pour les cuisinières à combustion jumelée 48"

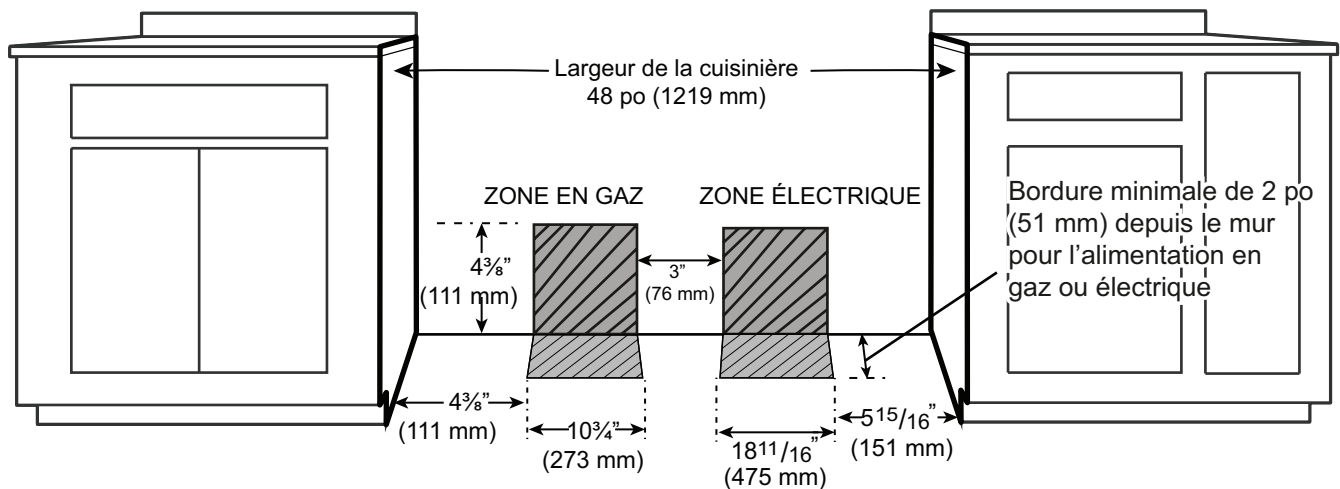


Figure 4 : Emplacement de l'alimentation électrique et en gaz pour les cuisinières à combustion jumelée

NOTE :

- S'il n'y en a pas déjà une en place, installez une vanne manuelle d'arrêt de gaz à un endroit facile d'accès.
- Assurez-vous d'indiquer à tous les utilisateurs où se trouve l'approvisionnement en gaz de la cuisinière et de leur montrer comment la fermer.
- Toute ouverture dans le mur derrière l'appareil ou dans le plancher sous l'appareil doit être scellée.

La cuisinière à gaz peut être branchée à l'alimentation électrique avec le cordon d'alimentation (fourni avec la cuisinière) ou par un câblage fixe. Il est de la responsabilité de l'installateur de fournir les éléments de câblage électrique appropriés (cordon ou conduit et fils) et de procéder au raccordement au gaz conformément aux règlements et codes locaux ou au code national de l'électricité. L'appareil doit être mis à la terre adéquatement. Voir « *Étape 7 : Installation du dossier (optionnel)* ».

La cuisinière doit être raccordée uniquement au type de gaz pour lequel elle est certifiée. Si la cuisinière doit être approvisionnée en gaz propane, assurez-vous que le réservoir de propane est muni de son propre mécanisme régulateur à haute pression en plus du régulateur à haute pression de l'appareil (voir « *Étape 6 : Exigences électriques, connexions et mise à la terre* »).

NOTE :

La cuisinière est conçue pour être presque parfaitement alignée avec le mur arrière. Pour une installation réussie, il peut être nécessaire de repositionner le tuyau d'approvisionnement en gaz et le cordon électrique lorsque la cuisinière est poussée à son emplacement définitif.

-- **SUGGESTION :** Pour y arriver, nous vous suggérons de passer une corde ou une ficelle autour du tuyau ou du cordon électrique et de tirer au moment de pousser la cuisinière à son emplacement définitif.

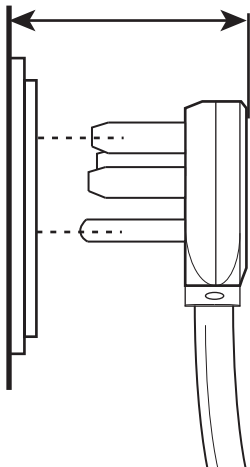
Alimentation électrique

L'installation de la cuisinière doit être planifiée de manière à ce que la boîte de jonction pour la prise ou la connexion de conduit permette un espace libre optimal à l'arrière de l'appareil.

Lorsque le cordon n'alimentation (non fourni) ou le conduit est branché sur une prise correspondante ou au couvercle de la boîte de jonction, la prise/fiche combinée ou la boîte de jonction/connecteur de conduit ne doivent pas dépasser de plus de 2 po (51mm) du mur arrière.

Cordon d'alimentation et prise

Maximum de 2 po (51 mm)
une fois le branchement effectué



Boîte de connexion et conduit de câbles

Maximum de 2 po (51 mm)

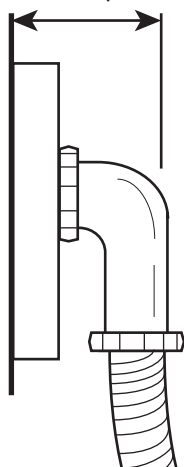


Figure 5 : Connexion murale

Voir *Figure 10 à la page 16* pour l'emplacement de la boîte de jonction sur l'appareil. Pour minimiser le pliage lorsque l'appareil est branché sur la prise ou la boîte de jonction, orientez la prise ou le connecteur de conduit et faites glisser en position.

Remarque :

Les modèles canadiens sont dotés d'un cordon d'alimentation.

Lors de l'utilisation d'une prise de courant, il est possible que vous ayez à encastrer le boîtier de la prise dans le mur arrière. Consultez le code de l'électricité local pour établir le volume minimal de tous les coffrets électriques ou boîtes de connexion que vous utilisez. Respectez tous les codes de l'électricité locaux.

Étape 3 : Déballage et manutention de la cuisinière



Déballage de la cuisinière

1. Retirez le carton et le matériel d'emballage de l'appareil sur la palette, mais laissez la mousse adhésive qui recouvre les surfaces de métal brossé afin de protéger le fini contre les égratignures jusqu'à ce que la cuisinière soit installée à son emplacement définitif. Laissez la mousse avec adhésif sur les surfaces en métal brossé pour protéger le fini contre les égratignures jusqu'à ce que l'appareil soit installé à sa position finale.
2. Pour faciliter la manutention, il est recommandé de retirer les grilles de surface, la plaque chauffante, les chapeaux des brûleurs et les grilles du four. Si désiré, vous pouvez également enlever les portes du four (consultez « *Étape 8 : Retrait et installation de la porte* » à la page 23). N'enlevez pas l'élément de la plaque chauffante ni l'assemblage du plateau.

	30 po	36 po	48 po
Poids à l'expédition	377 lbs (171 kg)	395 lbs (179 kg)	560 lbs (254 kg)
Poids sans matériaux d'emballage	293 lbs (133 kg)	337 lbs (153 kg)	470 lbs (213 kg)

Tableau 1 : Poids de la cuisinière

Déplacement de la cuisinière

▲ ATTENTION!	
	La cuisinière est lourde et devrait être manipulée en conséquence. Ne pas lever l'appareil par le panneau de commande.
	Pour éviter tout risque de blessure ou de dommages à l'appareil ou au plancher, la cuisinière devrait être déplacée par au moins deux personnes utilisant de l'équipement adéquat, comme des gants de protection, et ne portant pas des bagues, des montres ou tout autre objet semblable pouvant endommager l'appareil ou s'y accrocher. Les surfaces cachées de l'appareil peuvent comporter des saillies coupantes. Faites attention lorsque vous prenez l'appareil par le dessous ou que vous le tirez. N'utilisez pas un charriot manuel ou à électroménager à l'avant ou à l'arrière de l'appareil. Manipulez-le seulement sur les côtés.

En raison du poids de la cuisinière, il convient d'utiliser une plate-forme à roulettes souples pour la déplacer. Le poids doit être uniformément réparti sur la plate-forme.

NOTE :

Le schéma du câblage électrique se trouve derrière le panneau de seuil (plinthe). Il ne devrait pas être enlevé par quelqu'un d'autre qu'un technicien, qui devra le remettre en place après utilisation.

Retrait des boulons de la palette

1. Pour retirer les quatre (4) boulons de la palette situés dans la partie inférieure à l'avant et à l'arrière, utilisez une clé anglaise ou à cliquet d'un 7/16 po. Jetez les morceaux de bois de l'emballage.

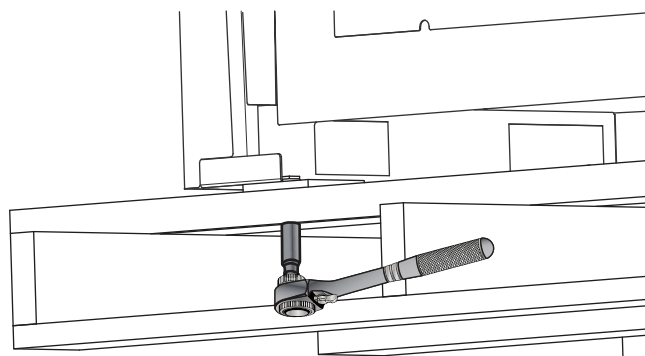


Figure 6 : Retrait des boulons d'expédition

2. Soulevez la cuisinière et retirez-la de la palette. Demandez de l'aide au besoin pour la retirer de la palette.
3. Avec un chariot (diable), déplacez la cuisinière près de l'endroit où vous comptez l'installer. Ne transportez pas la cuisinière en appuyant la partie avant sur le diable.
4. Vous pouvez appuyer la cuisinière sur les pattes arrière au moment de retirer le diable en toute sécurité. **VOUS DEVRIEZ PROTÉGER LE PLANCHER SOUS LES PATTES ARRIÈRE AVANT DE POUSSER L'APPAREIL À SON LIEU D'INSTALLATION.**
 - Vous devez procéder aux étapes 4 à 8 avant de placer la cuisinière à son emplacement final. Pour fonctionner adéquatement, la cuisinière doit être de niveau. Consultez « *Étape 9 : Mise en place et nivelage de la cuisinière* » à la page 24 pour obtenir des instructions de nivelage.

Étape 4 : Installation du dispositif anti-bascule

⚠ ATTENTION!

DANGER DE BASCULEMENT:



- Toutes les cuisinières peuvent basculer et causer une blessure. Pour éviter le basculement accidentel de la cuisinière, fixez-la au sol au moyen du dispositif anti-basculé fourni.
- L'appareil risque de basculer si le dispositif n'est pas installé conformément aux présentes instructions. Pour toutes les cuisinières, un dispositif anti-basculé doit être installé conformément aux présentes instructions.
- Un enfant ou un adulte pourrait faire basculer l'appareil et perdre la vie.
- Ne faites pas fonctionner l'appareil si le support anti-basculé n'est pas installé et qu'il ne retient pas l'appareil. La non-observation de ces instructions peut entraîner la mort ou causer de graves brûlures à des enfants ou des adultes.

En déplaçant la cuisinière pour la nettoyer, la réparer ou pour toute autre raison, assurez-vous qu'elle s'est bien enclenchée dans le dispositif anti-basculé lorsque vous la remettez en place. Autrement, si l'appareil est utilisé de façon anormale (par exemple, si quelqu'un monte, s'assoie ou s'appuie sur une porte ouverte), la cuisinière risque de basculer. Le basculement de la cuisinière ou d'un liquide chaud se trouvant sur la surface de cuisson pourrait causer des blessures corporelles.

⚠ AVERTISSEMENT!

RISQUE DE DÉCHARGE ÉLECTRIQUE:

- Soyez très prudent lorsque vous percez des trous dans le mur ou le plancher, car des fils électriques peuvent s'y trouver.
- Identifiez les circuits électriques pouvant se trouver à l'endroit où le dispositif anti-basculé sera installé et coupez l'alimentation électrique de ces circuits.
- Si vous ne respectez pas ces instructions, vous pourriez recevoir une décharge électrique ou vous blesser.

ATTENTION - DOMMAGES À LA PROPRIÉTÉ:

- Communiquez avec un installateur ou un entrepreneur qualifié pour déterminer la méthode convenable à adopter pour percer des trous dans le revêtement des murs ou du plancher (comme des tuiles de céramique, du bois dur, etc.)
- Ne faites pas glisser la cuisinière sur un plancher non protégé.
- Si vous ne respectez pas ces instructions, vous risquez d'endommager les murs ou le plancher.

NO DE PIÈCE – THERMADOR	Qtée	DESCRIPTION
00415078	4	Vis Phillips no 10 x 1-½ po (38,1 mm)
00647936	1	Support anti-basculé, installation au plancher

La quincaillerie fournie sert à l'installation avec des montants de bois d'épaisseur standard. Les installateurs sont responsables de fournir la quincaillerie pour les autres types d'installation.

Informations importantes concernant l'installation

- Le support antibasculé peut être fixé à une surface de bois dur pourvu que l'épaisseur minimale du mur soit de 3/4 po (19 mm).
- Selon l'épaisseur du mur ou du plancher, il peut être nécessaire d'utiliser des vis plus longues, disponibles chez votre quincaillier.
- Dans tous les cas, au moins deux des vis de montage du support doivent être fixées à la surface de bois dur.
- Utilisez des ancrages appropriés pour monter la patte antibasculé sur un matériau autre que le bois dur ou le métal.

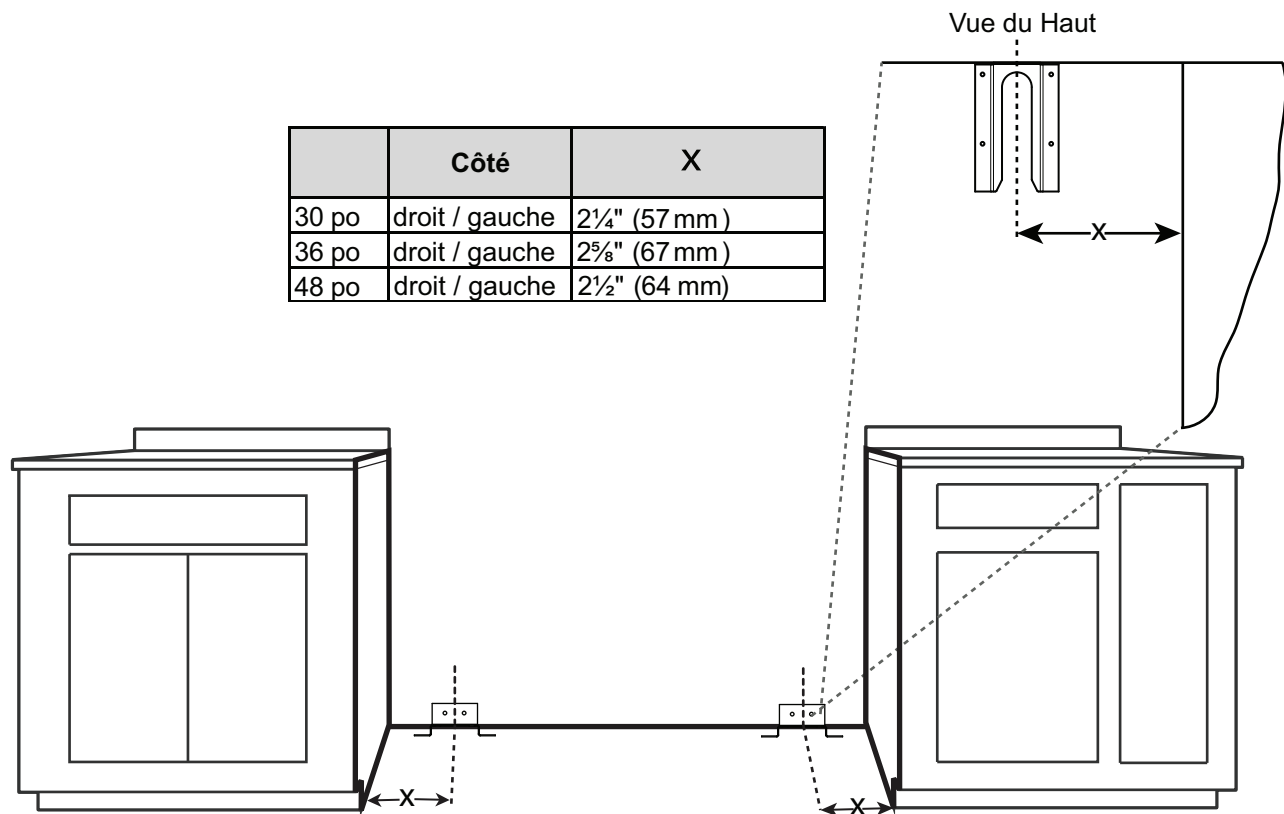


Figure 7 : Mise en place de la patte antibascule

Préparez les trous des emplacements de fixation tel qu'indiqué ci-dessous :

- Pour les murs, montants de mur ou planchers en bois massif ou en métal, percez des trous de guidage de 3,2 mm (1/8 po).
- Pour les murs ou les sols de type préfabriqué, carton-plâtre ou autres matériaux mous, percez des trous de 4,8 mm (3/16 po) à une profondeur minimum de 4,45 cm (1¾ po) puis enfoncez les ancrages en plastique dans tous les trous à l'aide d'un marteau.
- Pour les murs ou les sols en béton ou en blocs en béton, percez des trous de 4,8 mm (3/16 po) à une profondeur minimum de 4,45 cm (1¾ po), puis enfoncez les ancrages à béton dans les trous à l'aide d'un marteau.
- Pour les murs ou les sols revêtus de carrelage, percez des trous de 4,8 mm (3/16 po) de la profondeur du carrelage puis percez derrière le carrelage comme indiqué ci-dessus.
- Si la cuisinière doit être ultérieurement placée à un nouvel endroit, le dispositif antibascule sera enlevé et réinstallé

Montage de la patte antibascule

1. Placez la patte sur l'emplacement comme indiqué à la Figure 7.
 - La patte peut être utilisée dans un des coins de l'installation).
2. Fixez-la au sol et au montant du mur à l'aide des quatre (4) vis cruciformes de 1,5 po (38 mm) fournies.
3. Lorsque la cuisinière est installée, le pied réglable se glissera sous la patte.
4. Si l'appareil est installé à un nouvel endroit, le dispositif anti-bascule doit y être réinstallé.

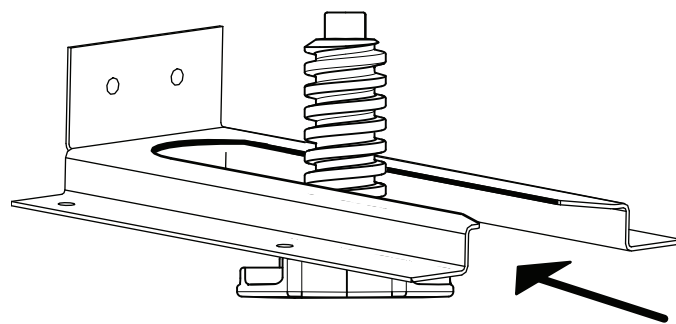


Figure 8 : Patte antibascule

Étape 5 : Exigences de l'alimentation du gaz et raccordement

Vérifiez le type de gaz utilisé à l'endroit où la cuisinière est installée. **Celle-ci sont préparée à l'usine avant expédition pour être alimentée en gaz naturel. Un technicien ou l'installateur qualifié doit faire la conversion.** Assurez-vous que la cuisinière correspond au type de gaz disponible dans la région.

Cet appareil est homologué CSA pour un fonctionnement sécuritaire à des altitudes de 2000 pi (610 m) au-dessus du niveau de la mer.

MODÈLES DE 48 PO APPAREILS FONCTIONNANT AU GAZ NATUREL OU PROPANE (GPL) - Pour installer l'appareil à plus de 2000 pi (610 m) au-dessus du niveau de la mer, vous pouvez vous procurer une trousse de conversion pour hautes altitudes (numéro de trousse : 00619199) auprès du service à la clientèle de Thermador. Un professionnel agréé doit procéder à l'installation de la trousse de conversion pour hautes altitudes.

MODÈLES DE 30 PO ET 36 PO; APPAREILS FONCTIONNANT AU GAZ NATUREL OU PROPANE (GPL) - Pour les altitudes de plus de 2000 pi (610 m) au-dessus du niveau de la mer, des ajustements peuvent être apportés à la trousse pour hautes altitudes fournie avec l'appareil. Si le rendement des flammes est satisfaisant, vous n'aurez pas besoin du contenu de la trousse. Un professionnel agréé doit procéder aux ajustements pour hautes altitudes lors de l'installation.

Appareils au gaz propane (GPL) - L'appareil doit d'abord être converti au gaz propane (GPL) avant d'être converti pour une utilisation à haute altitude. Une trousse de conversion au gaz propane (GPL - numéro de série 00649832) est requise et disponible par le biais du service à la clientèle de THERMADOR.

AVERTISSEMENT!

Le tuyau de gaz ne doit pas entrer en contact avec des composantes situées à l'intérieur du couvercle arrière de la cuisinière.

AVERTISSEMENT!

N'utilisez pas de flamme pour vérifier les fuites de gaz.

EXIGENCES POUR LE GAZ NATUREL :

Raccord d'entrée	1/2" NPT interne (tuyau flexible 19,1 mm (3/4") diamètre min.)
Pression d'alimentation	14,9 mb (6") min. à 34,9 mb (14") max. C.E.
Pression du collecteur	12,5 mb (5") C.E.

EXIGENCES POUR LE GAZ PROPANE :

Raccord d'entrée	1/2" NPT interne (tuyau flexible 19,1 mm (3/4") diamètre min.)
Pression d'alimentation	27,4 mb (11") min. à 34,9 mb (14") max. C.E.
Pression du collecteur	24,9 mb (10") C.E.

ATTENTION!

L'appareil doit être isolé du système de tuyauterie d'alimentation à gaz. Pour ce faire, fermez la soupape d'arrêt manuelle individuelle pendant le test de pression du système de canalisation d'alimentation en gaz (tests de pression égale ou inférieure à 1/2 psig, 3,5 kPa).

L'appareil et sa soupape d'arrêt individuelle doivent être débranchés du système de canalisation d'alimentation en gaz pendant toute la durée du test de pression du système (tests de pression excédant 1/2 psig 3,5 kPa). Au moment de vérifier la pression de gaz du collecteur, la pression d'entrée au régulateur doit être d'au moins 6 po, C.E. (14,9 mb) pour le gaz naturel ou 11 po, C.E. (27,4 mb) pour le propane.

N'essayez pas d'ajuster du régulateur la pression.

Raccordement

Le branchement à l'arrivée de gaz doit être effectué par un technicien compétent conformément à la réglementation locale. S'il n'y a pas de codes locaux, l'installation doit être conforme à la norme en vigueur américaine du gaz combustible ANSI Z223.1/NFPA54, dernière édition, ou à la norme canadienne.

1. Un robinet manuel d'arrêt de gaz doit être installé à l'extérieur de l'appareil, à un endroit accessible par le devant, pour pouvoir couper l'alimentation en gaz. Le tuyau d'arrivée de gaz ne doit pas dépasser à l'arrière de l'appareil. Assurez-vous que le robinet d'arrêt est fermé avant de raccorder l'appareil.
 - La cuisinière est fournie avec un régulateur de pression non amovible qui a été monté à l'intérieur de manière permanente.

2. Utilisez un raccord à gaz souple de 3/4" entre l'alimentation en gaz et le tuyau d'arrivée de gaz de l'appareil. Le tuyau d'arrivée de gaz de toutes les cuisinières est situé en bas à droite (voir *Figure 9*). Le tuyau d'arrivée de gaz de l'appareil est de type NPT 1/2".
 - Prenez garde aux pincements du tuyau flexible de 19,1 mm (3/4 po) dans les coudes. La longueur suggérée est de 48 po. Vérifiez les codes locaux concernant ces exigences.
3. Utilisez du mastic de jointement pour tuyaux ou du ruban Teflon sur le filetage des tuyaux. N'appliquez pas du mastic de jointement ou du ruban pour élargir les raccords. Prenez garde de ne pas appliquer trop de pression lorsque vous serrez les raccords.
4. Les tests de fuite de l'appareil doivent toujours être réalisés conformément aux instructions du fabricant.
 - Ouvrez le gaz et assurez-vous qu'il n'y a pas de fuites à l'aide d'une solution savonneuse. N'utilisez pas de flamme pour faire cette vérification.
 - Des bulles indiquent la présence d'une fuite. Réparer toute fuite immédiatement après l'avoir repérée.

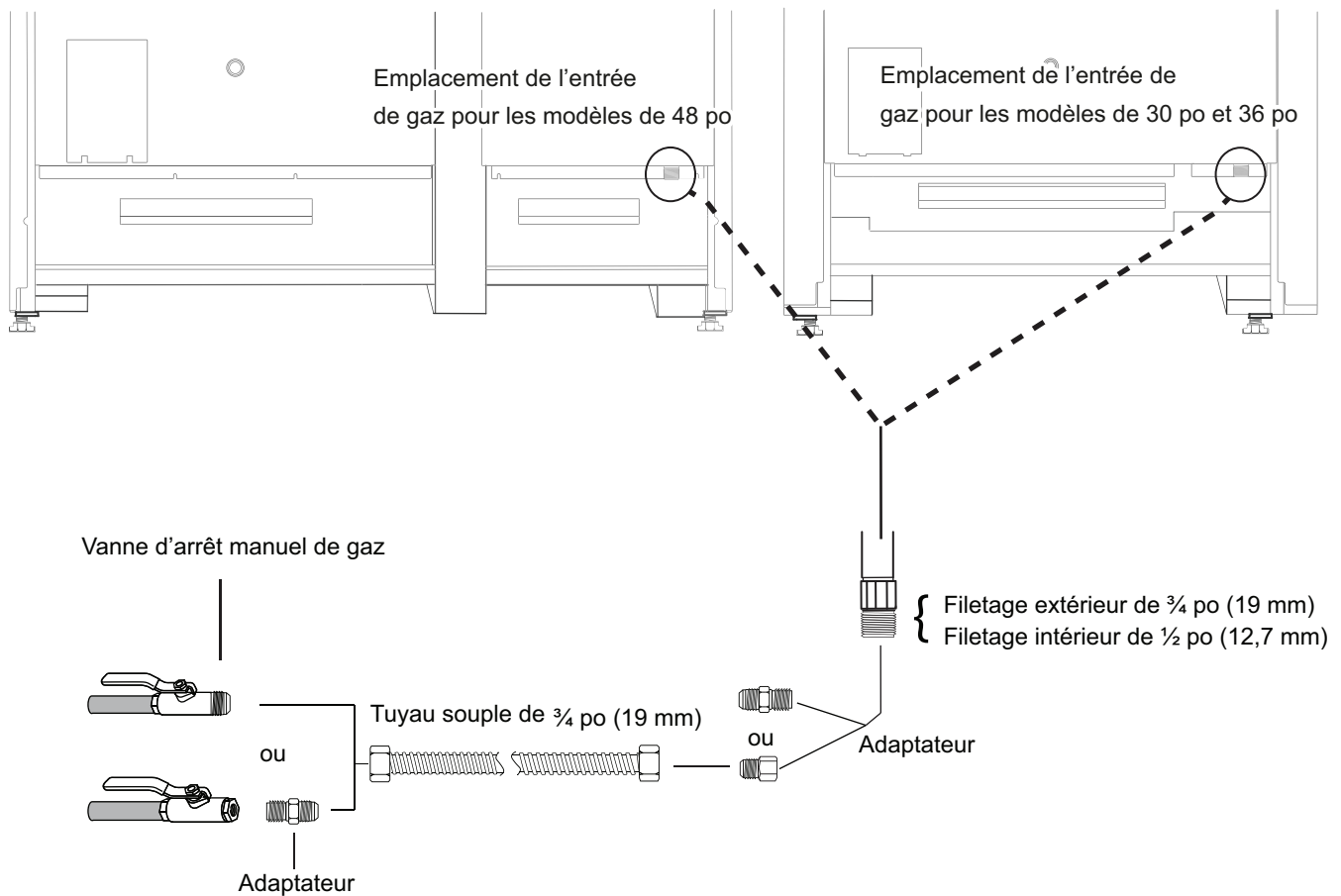


Figure 9 : Raccordement à l'approvisionnement de gaz

Étape 6 : Exigences électriques, connexions et mise à la terre

TYPE de MODÈLE	TENSION	COTE DE CIRCUIT	FRÉQUENCE	PHASE
30"	240/208 VAC	40 Amps	60 Hz.	Simple
36"	240/208 VAC	40 Amps	60 Hz.	Simple
48"	240/208 VAC	50 Amps	60 Hz.	Simple

Tableau 2 : Exigences du circuit d'alimentation électrique

Avant d'effectuer l'entretien de l'appareil, débranchez toujours le cordon électrique de la prise, s'il y a lieu. Si l'appareil est branché de façon fixe, débranchez l'alimentation de l'appareil en fermant le coupe-circuit ou en enlevant le fusible approprié.

Un fil d'alimentation neutre doit être installé à partir de la source d'électricité (disjoncteur/panneau de fusibles), car certains éléments de la cuisinière, dont le module de production d'étincelle des brûleurs de la table de cuisson, doivent être branchés sur du 120 VAC pour fonctionner de façon sécuritaire.

AVERTISSEMENT!

Une mauvaise alimentation électrique de 240/208 VAC entraînera des dysfonctionnements, endommagera la cuisinière et pourrait présenter des risques d'électrocution.

Si le circuit électrique n'est pas adéquat, il est de la responsabilité et de l'obligation de l'installateur et de l'utilisateur de s'assurer qu'une installation correcte et conforme à la réglementation locale en vigueur est réalisée par un électricien qualifié. Il est également de la responsabilité de l'installateur de s'assurer que les codes locaux sont respectés. S'il n'y a pas de réglementation locale, le branchement électrique doit être conforme au code national de l'électricité.

La mise à la terre doit être conforme à tous les règlements en vigueur. Sinon, la norme américaine d'électricité ANSI/NFPA No 70 actuelle doit être appliquée. Consultez les renseignements apparaissant dans la présente section pour connaître la méthode de mise à la terre à utiliser.

Les schémas de câblage électrique à l'intention d'un technicien qualifié se trouvent derrière la garniture de porte de l'appareil (voir *Figure 27* à la page 24).

Les cuisinières doivent être branchées à une alimentation électrique de 240/208 VAC.

Les cuisinières mixtes doivent être branchées à l'alimentation électrique en ayant recours à l'une des méthodes suivantes. Pour toutes les méthodes de connexion, la longueur du cordon ou du câblage et du conduit de câbles doit permettre le retrait total de l'appareil hors de l'armoire sans qu'il soit nécessaire de le débrancher.

La longueur minimale recommandée pour le cordon ou le conduit est de quatre pieds. Les installations électriques et la mise à la terre doivent être conformes à tous les règlements et codes locaux, ou au code national d'électricité, s'il y a lieu.

Connexion Permanente

Les appareils peuvent être branchés directement à l'alimentation. L'installateur doit fournir un conduit en aluminium flexible approuvé, format $\frac{3}{4}$ po (19 mm), d'une longueur minimale de 6 pieds (1,8 mètre).

Localisez le bloc de jonction à l'arrière de l'appareil et enlevez le couvercle (consultez la *Figure 10*). Le conduit doit être fixé à la boîte de connexion à l'aide d'un connecteur de conduit approuvé. L'extrémité libre du conduit de câbles doit être branchée à un bloc de jonction installé dans la zone d'alimentation électrique, comme illustré sur la *Figure 4* à la page 8.

Installez une bride de cordon (non fourni) dans le trou de 1 po (25,4 mm) de diamètre situé sous le bloc de jonction (voir *Figure 10*). Le câblage de l'appareil doit être acheminé au bloc de jonction par le conduit et à travers la bride de cordon. Les extrémités des fils doivent être munies de cosses en boucle de $\frac{1}{4}$ po, préférablement soudées sur place. Faites les connexions au bloc de jonction fourni.

AVERTISSEMENT!

Une connexion inadéquate du câble électrique en aluminium peut présenter un risque de décharge électrique. N'utilisez que des connecteurs conçus et certifiés pour la connexion d'un câble en aluminium.

Si un câble d'alimentation en aluminium est utilisé dans l'installation, épissez le câble d'aluminium et le fil de cuivre pour qu'ils s'adaptent à la cuisinière en utilisant des connecteurs spécialement conçus et certifiés pour joindre des fils de cuivre et d'aluminium. Suivez la procédure d'installation recommandée par le fabricant du connecteur.

Connexion à quatre fils

Normalement, un appareil doit être branché à l'alimentation avec un cordon à 4 conducteurs, tripolaire, coté 125/250 volts, 50 ampères et conçu pour être utilisé avec une cuisinière.

Le cordon doit être fixé au bloc de jonction de la cuisinière avec un réducteur de tension s'adaptant à un trou de 1 po (25,4 mm) de diamètre. Si ce n'est pas le cas, le cordon doit être muni de cosses en boucle fermée de ¼ po (6 mm) fixées aux extrémités libres des conducteurs individuels, préférablement soudés sur place.

1. Repérez le bloc de jonction à l'arrière de l'appareil et enlevez le couvercle (voir la *Figure 10*).
2. Enlevez seulement les écrous supérieurs des plots du bloc de jonction. N'enlevez pas les écrous qui maintiennent les fils de câblage internes de la cuisinière.
3. Installez une bride de cordon (non fournie avec la cuisinière) dans le trou de 1 po (25,4 mm) de diamètre situé sous le bloc de jonction, dans le panneau arrière (voir *Figure 10*). Faites passer les fils par la bride de cordon.

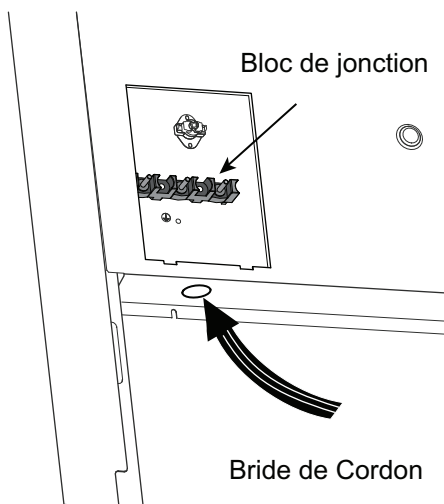


Figure 10 : Emplacement de la bride de cordon

4. Fixez le fil neutre mis à la terre du circuit d'alimentation au plot central du bloc de jonction avec un écrou (voir la *Figure 11*).
5. Fixez les fils de sortie L1 (rouge) et L2 (noir) aux plots du bloc de jonction extérieur (couleur laiton) avec des écrous.
6. Enlevez la vis verte du connecteur de terre située sous le bloc de jonction. Jetez le fil blanc.
7. Fixez le connecteur de terre en cuivre au châssis de la cuisinière à l'aide de la vis de mise à la terre précédemment utilisée avec le fil blanc. Assurez-vous que les bornes neutre et de terre ne se touchent pas.
8. Serrez bien toutes les connexions.

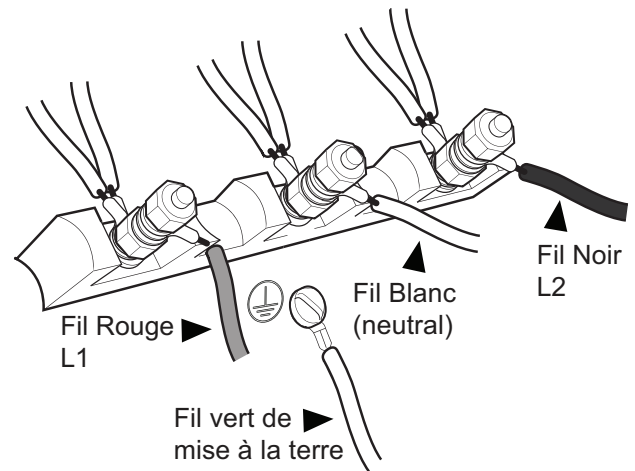


Figure 11 : Connexion à quatre fils

9. Réinstallez le couvercle du bloc de jonction.

INSTALLATEUR :

Montrez au propriétaire l'emplacement du coupe-circuit ou du fusible. Notez l'emplacement à des fins de référence.

Connexion à trois fils

Lorsque les codes et règlements locaux permettent la mise à la terre par le fil neutre et que la conversion de l'alimentation à 4 fils est irréalizable, l'appareil peut être branché à l'alimentation électrique avec un cordon à 3 conducteurs, tripolaire, coté 125/250 volts, 50 ampères et conçu pour être utilisé avec une cuisinière.

Le cordon doit être fixé au bloc de jonction de la cuisinière avec un réducteur de tension s'adaptant à un trou de 1 po (25,4 mm) de diamètre. Si ce n'est pas le cas, le cordon doit être muni de cosses en boucle fermée de ¼ po (6 mm) fixées aux extrémités libres des conducteurs individuels, préférentiellement soudés sur place.

1. Repérez le bloc de jonction à l'arrière de l'appareil et enlevez le couvercle (voir la *Figure 12*).
2. Enlevez seulement les écrous supérieurs des plots du bloc de jonction. N'enlevez pas les écrous qui maintiennent les fils de câblage internes de la cuisinière.
3. Installez une bride de cordon (non fournie avec la cuisinière) dans le trou de 1 po (25,4 mm) de diamètre situé sous le bloc de jonction, dans le panneau arrière (voir *Figure 12*). Faites passer les fils par la bride de cordon.

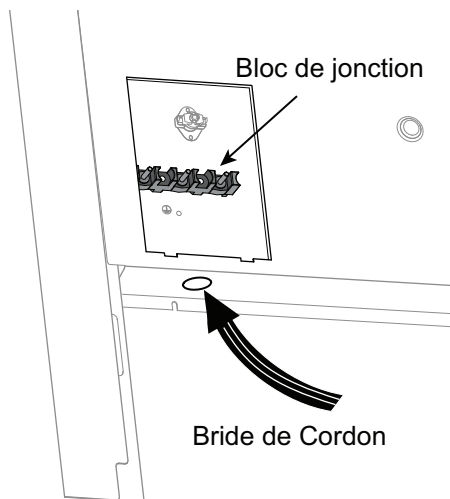


Figure 12 : Emplacement de la bride de cordon

4. Fixez le fil neutre mis à la terre du circuit d'alimentation au plot central (de couleur argent) du bloc de jonction (consultez la *Figure 13*).
5. Fixez les fils de sortie L1 (rouge) et L2 (noir) aux plots correspondants du bloc de jonction extérieur (couleur laiton).
6. Fixez l'une des extrémités du fil neutre monté en boucle, situé sous le bloc de jonction, au plot central du bloc de jonction avec un écrou et vissez l'autre extrémité du fil au dos de la cuisinière.
7. Serrez bien les écrous.

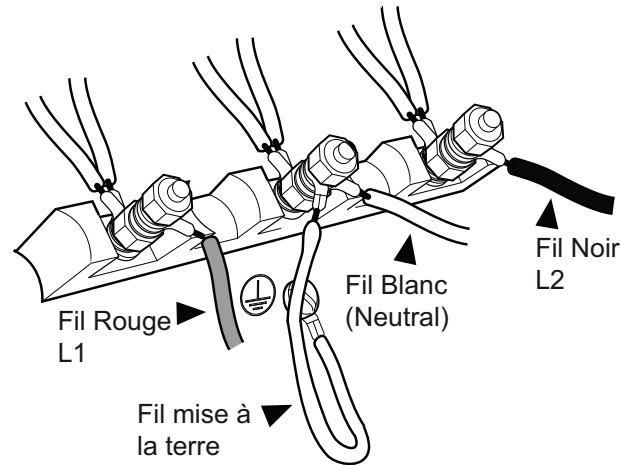


Figure 13 : Connexion à trois fils

8. Réinstallez le couvercle du bloc de jonction.

INSTALLATEUR :

Montrez au propriétaire l'emplacement du coupe-circuit ou du fusible. Notez l'emplacement à des fins de référence.

Étape 7 : Installation du dossieret (optionnel)



MODÈLE	9 PO DOSSERET BAS	22 PO DOSSERET TABLETTE À CASSEROLE	GARNITURE D'ÎLOT ENCASTRÉE
30 po	PA30GLBH	PA30GSHS	Inclus avec la cuisinière
36 po	PA36GLBH	PA36GSHS	Inclus avec la cuisinière
48 po	PA48GLBH	PA48GSHS	Inclus avec la cuisinière

Tableau 3 : Numéro de modèle de dossieret

Les méthodes d'installation varient selon les besoins. Avant de commencer, lisez attentivement ces instructions. Respectez tous les codes et règlements locaux.

Installation du dossieret de protection

(PA [30, 36, 48] JBS)

PIÈCES INCLUSES	OUTILS REQUIS
 10 – vis de 1 po (25,4 mm)	Tournevis ou pointe Phillips
 1 – dossieret de protection	Ruban à mesurer
1 – guide d'installation	Crayon

Le dossieret de protection doit être installé avant le montage d'une hotte, car le pavillon de la hotte couvrira les vis de montage supérieures du dossieret de protection.

Pour protéger le dossieret de protection contre les égratignures, laissez la pellicule de protection qui le recouvre jusqu'à ce que vous ayez terminé l'installation.

Si la cuisinière est déjà installée, consultez les instructions du fabricant pour le débranchement de l'approvisionnement en gaz et de l'alimentation électrique. Déplacez la cuisinière pour avoir accès au mur arrière.

▲ AVERTISSEMENT!

Pour réduire les risques d'incendie ou de blessures corporelles, assurez-vous que tout le matériel d'emballage a été retiré des accessoires avant de les utiliser.

1. Localisez et marquez les endroits où passent les montants de cloison. Les montants de cloison sont normalement installés à des intervalles de 16 po ou 24 po (406 mm ou 610 mm).
2. La hauteur de la hotte déterminera la hauteur de montage du côté supérieur du dossieret de protection. Le dossieret de protection devrait être installé de façon à ce que la partie inférieure de la hotte chevauche le dossieret de protection de 1-½ po (38 mm).
3. Utilisez deux vis fournies pour fixer le haut et le bas du dossieret de protection dans chaque montant de cloison (voir *Figure 14*).
 - Dans certains cas, et compte tenu de la largeur variable des montants de cloison et des dossierets muraux, un seul montant de cloison peut se trouver à l'emplacement de l'installation.
4. Enlevez la pellicule de protection en plastique.

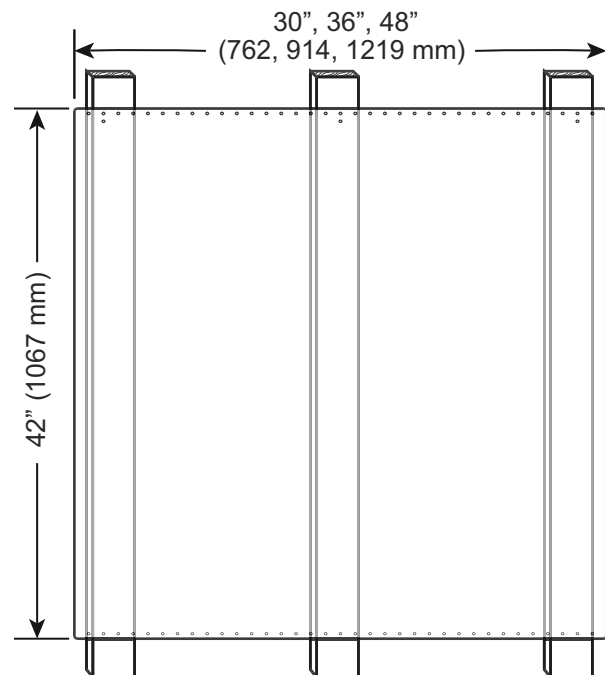


Figure 14 : Installation du dossieret de protection

Installation d'un dossieret de protection avec une étagère garde-chaud

La hotte peut être montée en premier si le dossieret de protection est installé avec une étagère garde-chaud puisque cette étagère couvrira les vis de montage supérieures du dossieret de protection.

Pour protéger le dossieret de protection contre les égratignures, laissez la pellicule de protection sur le dossieret de protection jusqu'à ce que vous en ayez terminé l'installation.

Si la cuisinière est déjà installée, consultez les instructions du fabricant pour le débranchement de l'approvisionnement en gaz et de l'alimentation électrique. Déplacez la cuisinière pour avoir accès au mur arrière.

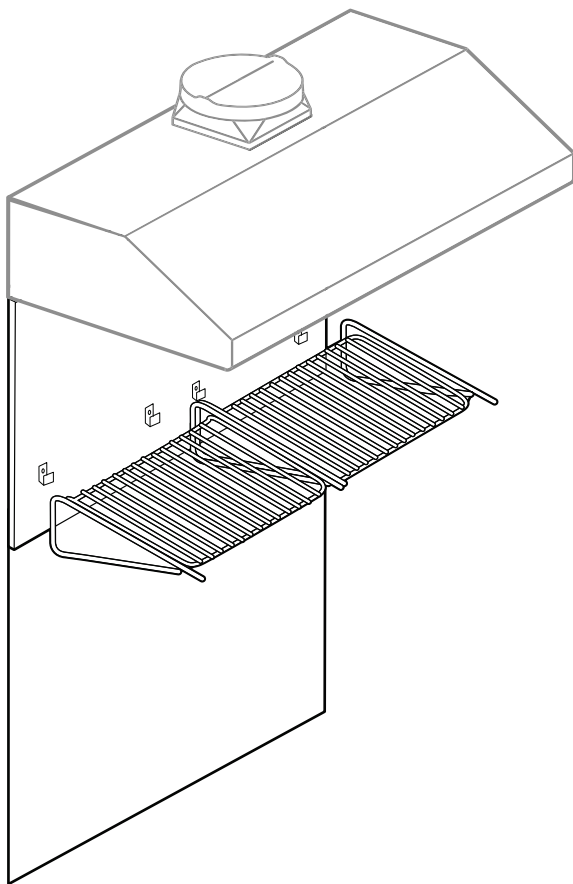


Figure 15 : Dossieret de protection avec étagère garde-chaud

1. Les montants de cloison sont normalement installés à des intervalles de 16 po ou 24 po (406 mm ou 610 mm).
2. La hauteur de la hotte déterminera la hauteur de montage du côté supérieur du dossieret de protection. Le dossieret de protection devrait être installé de façon à ce que la partie arrière inférieure de l'étagère garde-chaud chevauche le dossieret de protection de 1-½ po (38 mm).
3. À l'endroit indiqué sur la *Figure 16* fixez les supports inférieurs fournis avec l'étagère garde-chaud à travers le dossieret de protection, dans les montants de cloison.
 - Dans certains cas, et compte tenu de la largeur variable des montants de cloison et des dossierets muraux, un seul montant de cloison peut se trouver à l'emplacement de l'installation.
4. Enlevez la pellicule de protection en plastique.
5. Commencez l'installation de l'étagère garde-chaud.

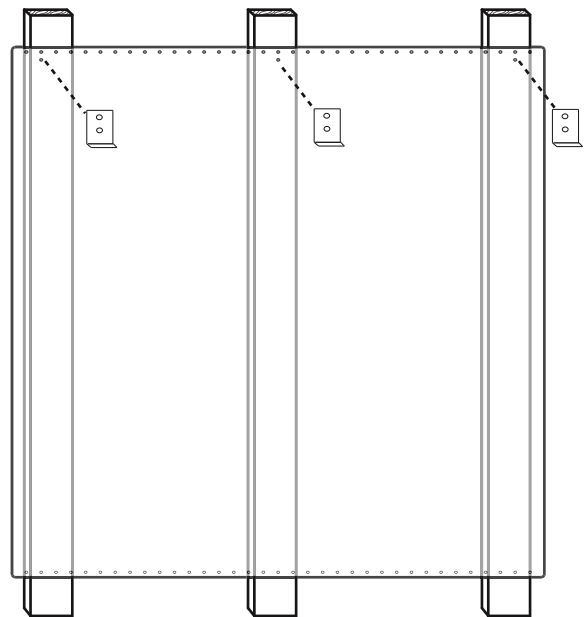


Figure 16 : Dossieret de protection avec étagère garde-chaud

Étagère garde-chaud (KHS [30,36,42,48] QS)

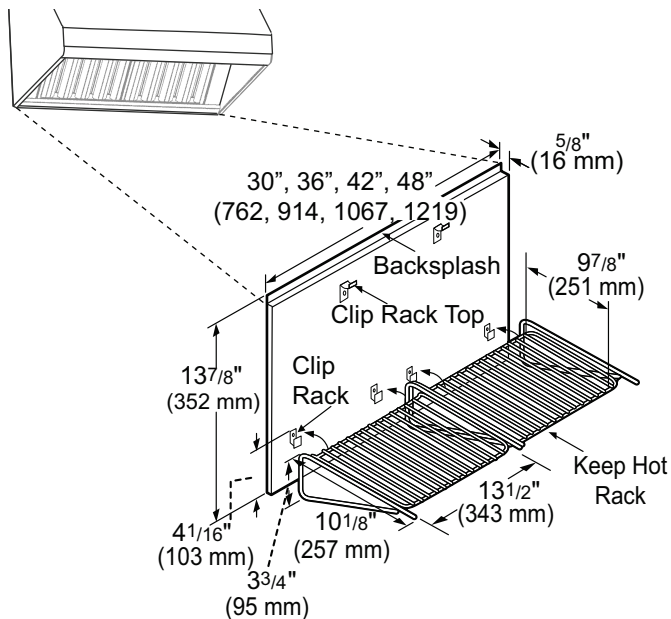


Figure 17 : Étagère garde-chaud

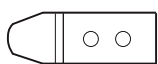
ARTICLES INCLUS



10 – vis de 1 po (25,4 mm)
4 – vis de 1/2 po (12,7 mm)



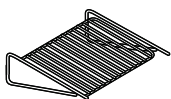
4 – écrous en U



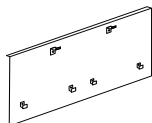
2 – supports supérieurs pour étagère



4 – supports inférieurs pour étagère



2 – grille garde-chaud



1 – dossier de protection pour étagère garde-chaud

1 – guide d'installation et gabarit

OUTILS REQUIS

Ruban à mesurer	Tournevis ou mèche Phillips
Ruban à peinture	Couteau ou ciseaux

- Collez sur le mur, avec du ruban, les gabarits fournis avec l'étagère garde-chaud comme suit :
 - Collez la feuille intitulée Left Hand Template au coin inférieur gauche de la hotte en alignant la bordure inférieure de la hotte et la ligne supérieure du gabarit.
 - Collez la feuille intitulée Right Hand Template au coin inférieur droit de la hotte en alignant la bordure inférieure de la hotte et la ligne supérieure du gabarit.
 - Collez la feuille intitulée Installation Instruction de façon à ce que la flèche située en haut du gabarit soit alignée avec la ligne centrale de la hotte. Alignez la bordure inférieure de la hotte et la ligne supérieure du gabarit.
 - Les côtés gauche et droit du gabarit doivent correspondre à la longueur de l'étagère.
- Installez les deux supports supérieurs pour étagère et les trois supports inférieurs pour étagère aux endroits indiqués sur les gabarits. Fixez-les en place à l'aide des (10) vis de 1 po (25,4 mm) fournies.
- Découpez le gabarit autour des supports et enlevez-le du mur. Ne le jetez pas avant d'avoir terminé l'installation de l'étagère garde-chaud.
- Insérez les quatre écrous en U dans les quatre supports inférieurs pour étagère.
- Installez la plaque murale en plaçant les encoches des coins (dos de la plaque murale) au sommet des deux supports supérieurs pour étagère.
- Faites glisser l'ensemble de l'étagère vers le haut jusqu'à ce que la partie inférieure s'enclenche dans les quatre supports inférieurs (Figure 18).

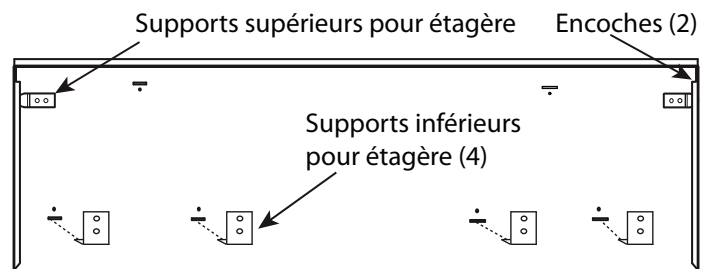


Figure 18 : Dos de la plaque murale

- Assurez-vous que la partie supérieure de l'ensemble de l'étagère est bien fixée en place en tirant vers vous sur la partie supérieure de l'étagère.
- Fixez la partie inférieure de l'ensemble de l'étagère à l'aide des (4) vis de 1/2 po (12,7 mm) fournies.

Installation du Dosseret

Lors d'une installation contre une surface combustible, vous devez utiliser une étagère haute ou un dosseret bas. Vous pouvez vous acheter séparément ces articles THERMADOR[™]. Consultez la " " à la page 5 pour obtenir plus de renseignements sur les espaces libres.

Lors de l'utilisation de la garniture d'îlot THERMADOR, il faut un espace minimal de 12 po (305 mm) entre la partie arrière de l'appareil et la surface combustible (voir Figure 1 à la page 5). Les espaces libres jusqu'aux surfaces non combustibles ne sont pas précisés dans la norme ANSI Z21.1 et ne sont pas certifiés par la CSA. Tout espace libre de moins de 12 po (305 mm) doit être approuvé par les normes locales ou l'autorité locale ayant compétence.

NOTE :

Si un dosseret de protection est utilisé avec le dosseret bas de l'appareil, installez d'abord le dosseret de protection, puis le dosseret bas avant de remettre la cuisinière à sa place.

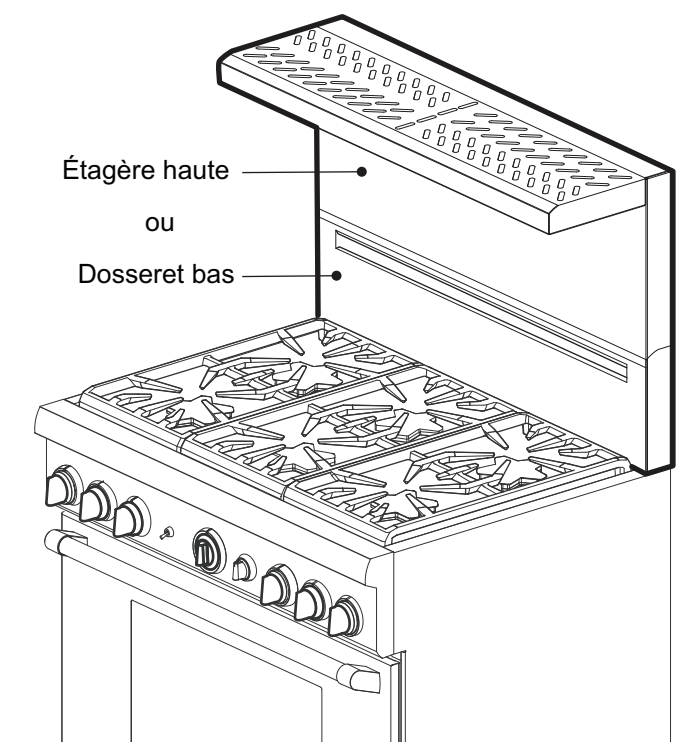
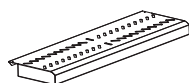
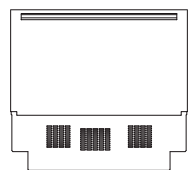


Figure 19 : Vue de face de l'étagère haute et du dosseret bas

PIÈCES FOURNIES AVEC L'ÉTAGÈRE HAUTE



1 – panneau supérieur



1 – panneau frontal

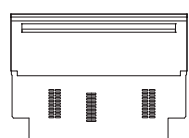


13 – vis Torx T-20 en inox

16 ou 14 – vis à pointe Torx T-20

1 – guide d'installation

PIÈCES FOURNIES AVEC LE DOSSERET BAS



1 – panneau



9 ou 8 – vis Torx T-20 en inox

8 ou 6 – vis à pointe Torx T-20

1 – guide d'installation

OUTILS REQUIS

Tournevis ou mèche Torx T-20

Gants de protection

⚠ ATTENTION!

La tablette haute peut devenir très chaude! Ne mettez PAS les articles suivants sur cette tablette:

- Du plastique ou des contenants pouvant fondre
- Des articles inflammables
- Des articles pesant plus de 30 lb (13,6 kg)

⚠ AVERTISSEMENT!

Vous pourriez vous pincer les doigts ou les mains et vous blesser gravement lors de l'installation de cet accessoire. Soyez très prudent et portez des gants protecteurs épais pour éviter toute coupure ou lacération des doigts ou des mains lorsque vous faites glisser le dosseret en place.

Assemblage de l'étagère haute

1. Enlevez la pellicule de protection en plastique.
2. Glissez l'étagère dans les canaux de guidage du dossieret.

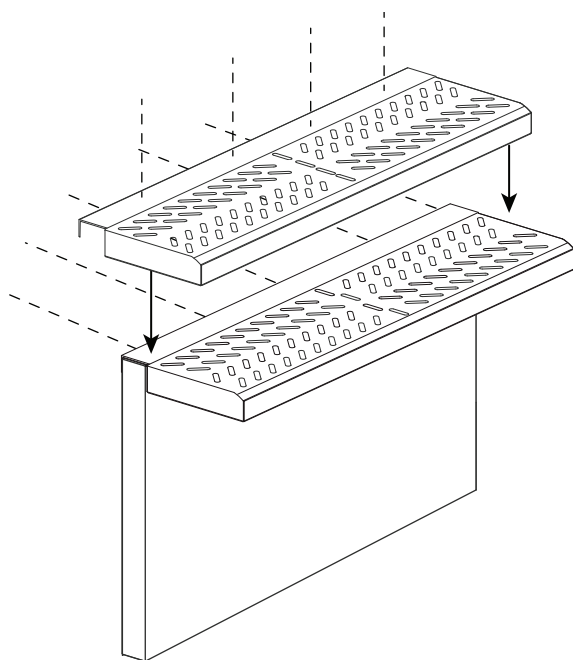


Figure 20 : Vue arrière du dossieret de protection

3. Fixez les cinq vis en inox le long de la partie supérieure de l'étagère et 12 vis en inox dans la partie arrière de l'étagère.
4. Commencez l'installation du dossieret.

Installation du dossieret

1. Selon le modèle, enlevez les (3) ou (4) vis Torx T-20 en acier inoxydable de la partie avant de la garniture d'îlot.

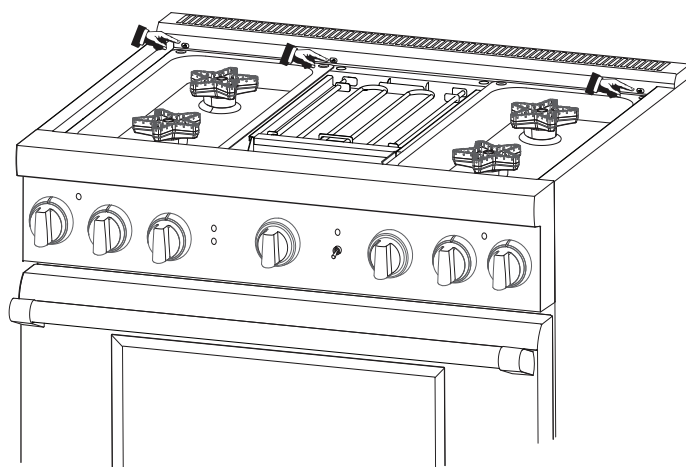


Figure 21 : Retrait des vis de la partie avant de la garniture d'îlot

2. Enlevez les (4) vis taraudeuses retenant la garniture aux panneaux latéraux ainsi que les (2) ou (4) vis taraudeuses du panneau arrière. Tirez vers le haut pour l'enlever complètement.

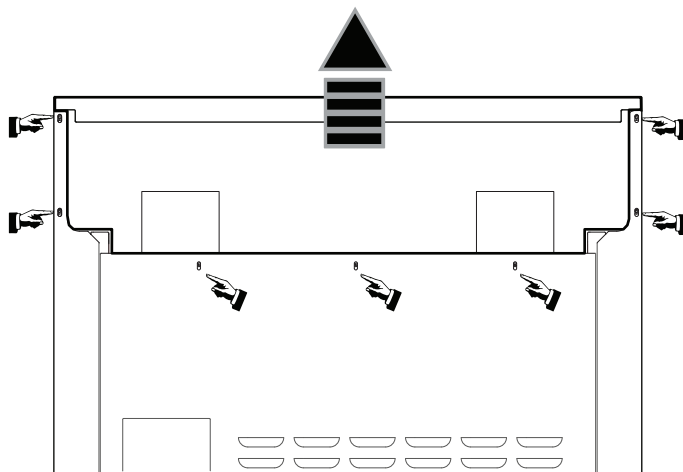


Figure 22 : Retrait des vis arrière de la garniture d'îlot

3. Alignez le panneau arrière du nouvel accessoire avec les brides des coins arrière droit et gauche des panneaux latéraux de la cuisinière. Le dossieret s'insère dans les canaux de guidage situés à l'arrière de la cuisinière (Figure 23).

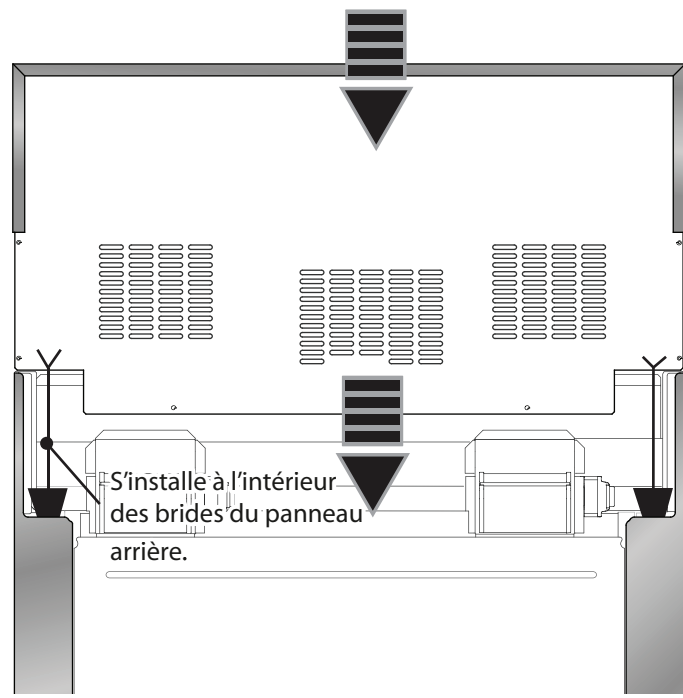


Figure 23 : Installation du dossieret

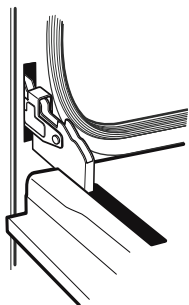
4. Assurez-vous que la face du dossieret est à l'extérieur des brides, vers l'avant de la cuisinière.
5. Remettez en place les vis enlevées aux étapes 1 et 2.

Étape 8 : Retrait et installation de la porte

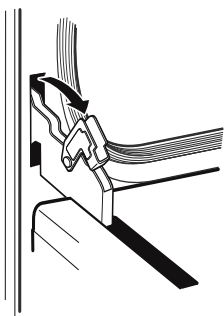
▲ MISE EN GARDE!

- FAITES ATTENTION LORSQUE VOUS ENLEVEZ LA PORTE. ELLE EST TRÈS LOURDE.
- Pour éviter tout risque de brûlure ou de décharge électrique, assurez-vous que le four est froid et que l'alimentation électrique est coupée avant d'enlever la porte du four.
- La porte est lourde et fragile. Utilisez vos deux mains pour l'enlever ou la remettre en place.
- Si vous ne saisissez pas la porte fermement et adéquatement, vous pourriez endommager l'appareil ou vous blesser.
- Lorsque la porte est enlevée, ne lâchez jamais la poignée pour essayer de fermer les charnières. Sans le poids de la porte, les puissants ressorts des charnières se refermeront avec beaucoup de force.

Retrait de la porte



1. Assurez-vous de lire la mise en garde ci-dessus avant d'enlever la porte.
2. Ouvrez complètement la porte.



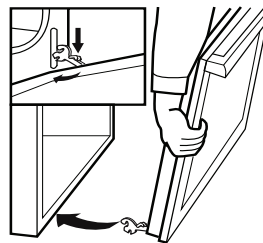
3. Rabattez les griffes à charnières vers le bas. Vous pourriez avoir besoin d'un tournevis pour les faire basculer.
4. Fermez la porte doucement jusqu'à ce qu'elle repose contre les griffes à charnières. Lorsque celles-ci sont en position ouverte, la porte reste ouverte à un angle fermé environ à 30° par rapport à sa position fermée.



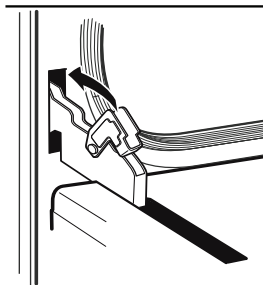
5. Prenez la porte par les extrémités et soulevez-la. Les ressorts offriront une certaine résistance.
6. Soulevez doucement la porte pour la faire sortir des fentes.
7. Placez la porte à un endroit sûr et stable.

Figure 24 : Trait de la porte

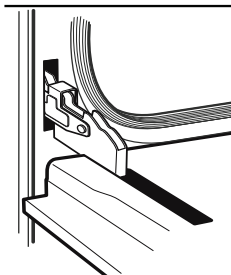
Réinstallation de la porte



1. Prenez la porte fermement avec vos deux mains.
2. Tenez la porte à un angle de 30° par rapport à sa position fermée. Insérez les charnières en les centrant dans les fentes. Lorsque vous les installez convenablement, elles s'enclenchent solidement dans les fentes. Ne forcez pas et ne pliez et ne tordez pas la porte.



3. Ouvrez complètement la porte pour exposer les charnières, les leviers et les fentes.
4. Faites basculer les charnières vers l'avant et vers le bas jusqu'à ce qu'elles reposent dans les fentes. Vous pourriez avoir besoin d'un tournevis pour remettre les griffes à charnière en place.



5. Fermez et ouvrez la porte pour vous assurer qu'elle est installée correctement.

Figure 25 : Réinstallation de la porte

Vérification de l'installation et du fonctionnement de la porte :

1. Ouvrez et fermez la porte lentement pour vous assurer qu'elle bouge normalement et qu'elle s'adapte bien à la cavité du four. Ne forcez pas pour l'ouvrir ou la fermer. Si la porte est bien installée, elle devrait être facile à ouvrir et être alignée avec le devant du four lorsqu'elle est en position fermée.
2. La cuisinière doit être bien nivelée pour que les portes du four s'alignent correctement. Voir « *Étape 9 : Mise en place et nivelage de la cuisinière* ».
3. Si la porte ne fonctionne pas correctement, assurez-vous que les charnières sont bien appuyées dans les fentes et que les griffes à charnières sont bien installées au fond des fentes.

4. Vous pouvez ajuster l'inclinaison en vissant ou dévissant à l'aide d'un grand tournevis Torx T-20 la vis Torx de la charnière, située directement au-dessus de la fente de la charnière. Tournez la vis jusqu'à ce que la porte soit correctement alignée (Figure 26).

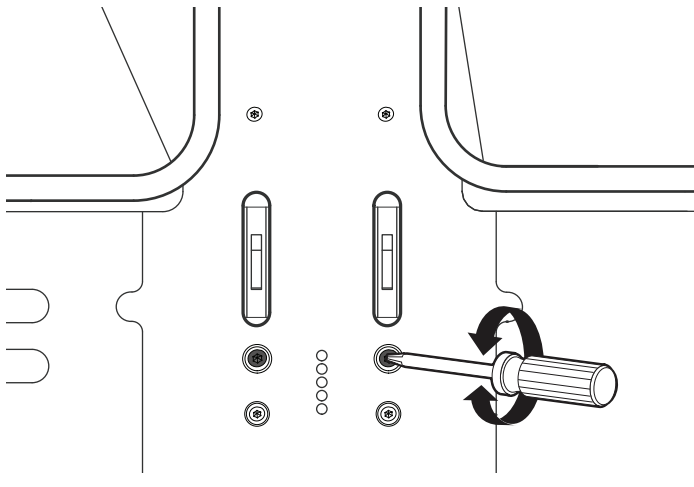


Figure 26 : Vis d'ajustement des charnières

Plaque signalétique

La plaque signalétique indique le modèle et le numéro de série de votre cuisinière. Elle est située sur le cadre, derrière la porte du four (voir illustration).

Les schémas de câblage électrique et les dessins placés dans la zone de la base ne doivent pas être enlevés sauf par un technicien de service. Remettez en place après l'entretien.

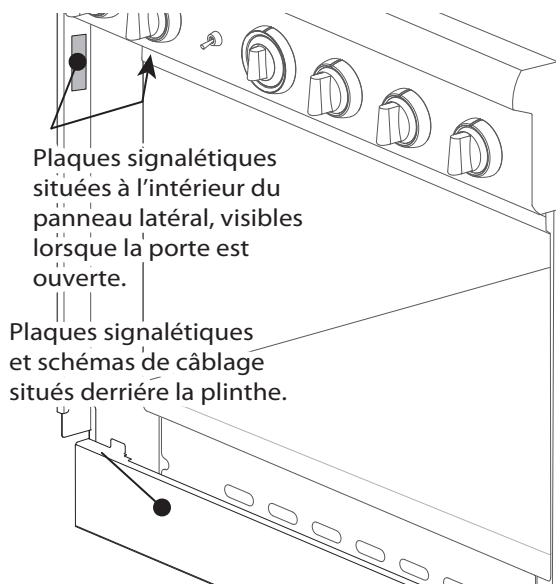


Figure 27 : Emplacement plaque signalétique et diagramme de câblage (porte du four non illustrée)

Étape 9 : Mise en place et nivelage de la cuisinière

Ajustement des pattes de nivelage

▲ MISE EN GARDE!

Les côtés supérieurs des panneaux latéraux de la cuisinière doivent être à la même hauteur ou plus haut que le comptoir adjacent. Si la cuisinière se trouve à une hauteur inférieure que l'armoire adjacente lorsqu'elle fonctionne, les températures excessives qui se dégagent de la cuisinière pourraient endommager les armoires et le comptoir (voir Figure 29 à la page 25).

Pour fonctionner adéquatement, la cuisinière doit être nivelée. Cela est particulièrement important pour tous les appareils munis d'une plaque chauffante. Pour un rendement optimal, vous devriez vous assurer que la cavité du four est également nivelée.

Les modèles de 30 et 36 pouces sont munis de (4) pattes de nivelage (une à chaque coin) qui sont vissées dans la structure de base en aluminium coulé. Les modèles de 48 po en ont six.

1. Mesurez d'abord la hauteur du comptoir avec un ruban et ajoutez 1/16 po - 1/8 po (2-3 mm). Ajustez les pattes en conséquence avant de pousser la cuisinière à son emplacement définitif.
2. Faites tourner les pattes en utilisant une clé ajustable de 12 po sur le côté plat de chacune d'elles.

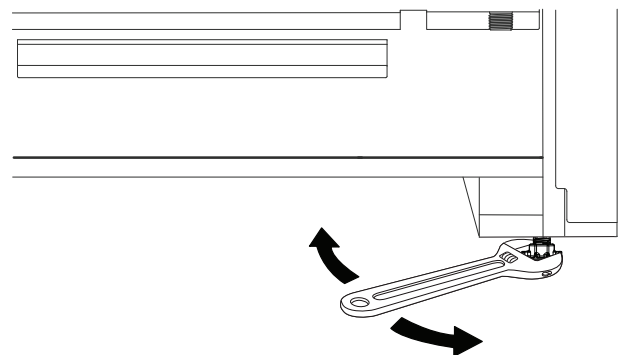


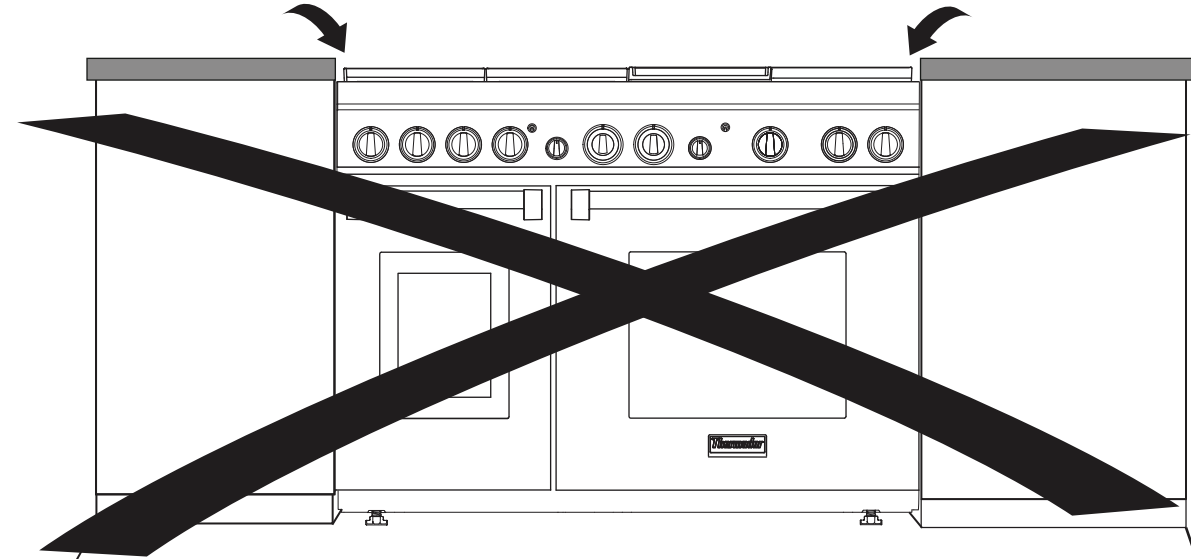
Figure 28 : Ajuster les Pattes

3. Vous devriez ajuster la hauteur des quatre pattes des coins en alternant jusqu'à ce que les rebords supérieurs des panneaux latéraux de la cuisinière soient plus ou moins à la hauteur du comptoir.
4. Vous devez ajuster totalement les deux pattes arrière avant de pousser la cuisinière à son emplacement définitif.

5. Au moment d'installer la cuisinière à son emplacement définitif, assurez-vous que le dispositif anti-bascule s'insère correctement. Pour ce faire, vous pouvez regarder à travers l'ouverture située à l'avant de la cuisinière, près du sol.
6. Lorsque la cuisinière se trouve à son emplacement définitif, ajustez les deux pattes avant pour l'aligner avec le comptoir.



ATTENTION! N'utilisez pas la cuisinière si les panneaux latéraux sont plus bas que les armoires adjacentes. Les températures excessives du four pourraient endommager les armoires et le comptoir.



CORRECT! – Les pattes devraient être ajustées de façon à ce que les côtés de la cuisinière soient à la même hauteur ou plus haut que le comptoir adjacent.

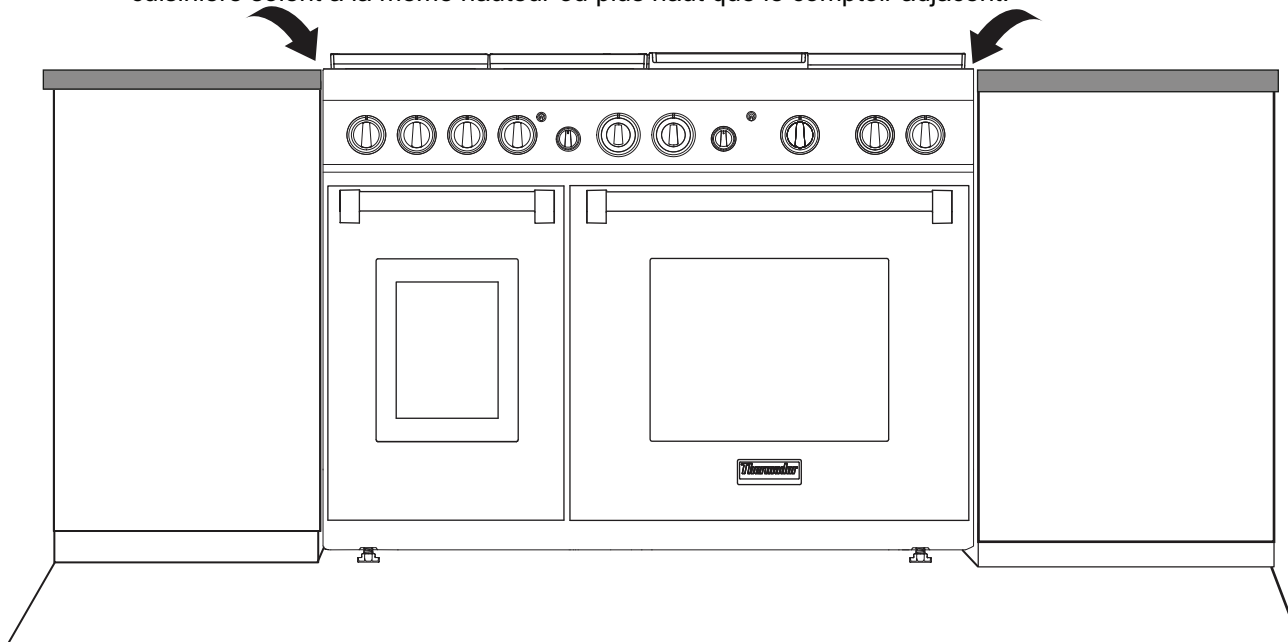


Figure 29 : Réglage de la hauteur de la cuisinière

Réglage de l'angle du grill (certains modèles)

Si la cuisinière est dotée d'un grill électrique, vérifiez le réglage du cadre en versant 2 cuillères à soupe d'eau sur la surface. L'eau devrait glisser lentement vers le bac à graisse. Si ce n'est pas le cas, corrigez l'angle à l'aide des deux vis situées à l'arrière du cadre. Commencez en tournant les vis d'un quart de tour dans le sens antihoraire. Tout réglage ultérieur devrait être fait à l'aide de quarts de tour jusqu'à ce que l'eau glisse dans le bac à graisse.

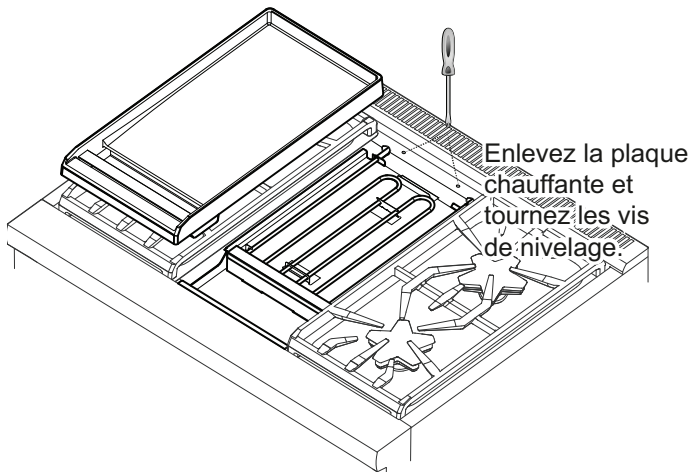


Figure 30 : Vis de nivelage de la plaque chauffante

AVERTISSEMENT!

Pour éviter tout risque de blessure, ne faites jamais fonctionner le grill si la plaque n'est pas installée. N'utilisez jamais le grill d'une façon qui n'est pas recommandée dans le guide d'utilisation et d'entretien.

La plaque doit toujours être en place lorsque vous allumez le grill.

Assemblage du grill (certains modèles)

Consultez la section intitulée « *Utilisation du grill électrique* » du manuel d'utilisation et d'entretien.

Ajustement du panneau de seuil (plinthe)

Pour ajuster le panneau de seuil (plinthe), faites comme suit :

1. Enlevez les vis du panneau de seuil à l'aide d'un tournevis Torx T-20
2. Replacez le panneau à l'une des cinq positions de trou de vis, comme illustré sur la *Figure 31*. Réinstallez les vis Torx.

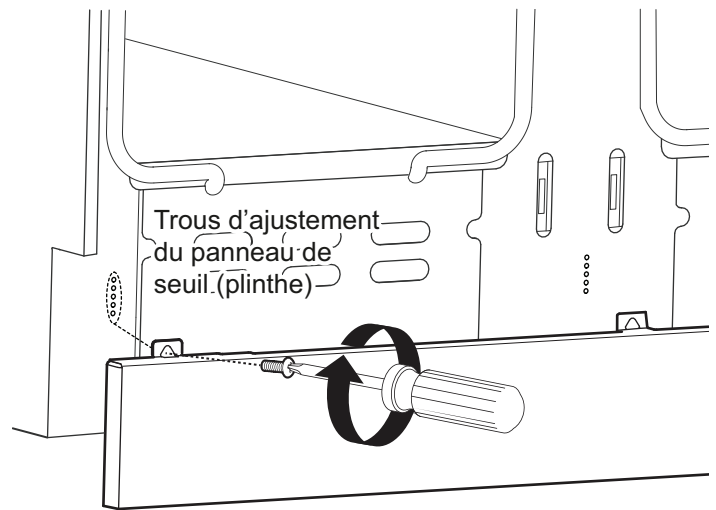


Figure 31 : Ajustement du panneau de seuil (plinthe)

3. Refaites la même chose de l'autre côté en veillant à ce que le panneau soit de niveau.
 - Le panneau de seuil (plinthe) de la cuisinière doit se trouver au moins à 0,5 po (12,7 mm) au-dessus du sol.

Étape 10 : Test des brûleurs

Installez tous les éléments libres, comme les capuchons et les grilles des brûleurs, ayant été retirés précédemment. Assurez-vous que les capuchons des brûleurs sont adéquatement placés sur les bases des brûleurs. Avant de vérifier le fonctionnement de l'appareil, assurez-vous qu'aucune fuite n'émane de l'appareil et de la soupape de gaz, assurez-vous que l'appareil est branché à l'alimentation électrique. Ouvrez la soupape d'arrêt de gaz manuelle.

NOTE:

Avant de mettre le four en marche, tous les boutons du four doivent être à la position OFF. Pour prévenir tout fonctionnement non voulu lors de la mise en marche du four, veuillez placer tous les boutons à la position OFF. Pour assurer la sécurité de l'utilisateur lors d'une panne d'électricité, un message annonçant une erreur apparaît à l'écran de l'appareil lors de la reprise du courant, à moins que tous les boutons soient à la position OFF. Remettez tous les boutons à la position OFF et réinitialisez le disjoncteur pour éliminer ce message.

Vérifiez les brûleurs de surface

Vérifiez la fonction d'allumage des brûleurs

Choisissez un bouton de brûleur. Poussez et tournez dans le sens antihoraire à HI. Le module allumeur/étincelle produit un déclic. Une fois l'air purgé de la canalisation d'alimentation, le brûleur devrait s'allumer en moins de 4 secondes.

Vérifiez la flamme : Réglage haut

Tournez le bouton à HI. Voir Figure 31 pour les caractéristiques de flamme appropriées.

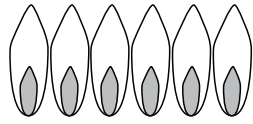
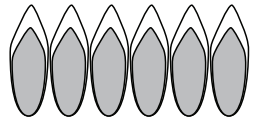
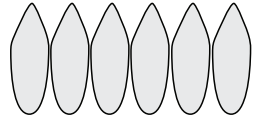
Si un des brûleurs de surface continue de brûler ou qu'il est complètement jaune, vérifiez si le capuchon est positionné adéquatement sur la base du brûleur, puis essayez de nouveau. **Éventez chacune des flammes et laissez les brûleurs se rallumer pour vous assurer que le dispositif fonctionne adéquatement.** Si les caractéristiques de flamme ne s'améliorent pas, communiquez avec THERMADOR^{MC}.

Vérifiez la flamme : Réglage bas

Tournez le bouton à SIM. Vérifiez si la flamme enveloppe complètement le brûleur. Il doit y avoir une flamme à chaque port du brûleur et il ne doit pas y avoir d'intervalle d'air entre la flamme et le brûleur. Si les brûleurs ne sont pas enveloppés, communiquez avec THERMADOR.

Les 2 brûleurs de surface du côté gauche sont dotés de la fonction XLO^{MC}, faisant effectuer un cycle marche-arrêt à la flamme lorsque le bouton est réglé à XLO. Cela est normal.

Répétez l'allumage et la vérification de la flamme décrits pour chaque brûleur de surface et pour celui du grill (si tel est le cas).

Flamme jaune : Réglage nécessaire.	
Pointe jaune sur cône extérieur : Normal pour gaz LP.	
Flamme bleue : Normal pour gaz naturel.	

Si la flamme est complètement ou presque jaune, assurez-vous que le régulateur est réglé pour le combustible approprié. Après le réglage, vérifiez de nouveau.

Des rayures de couleur orangée sont normales pendant la mise en marche initiale.

Laissez l'appareil fonctionner de 4 à 5 minutes et évaluez de nouveau avant d'effectuer les réglages.

Figure 32 : Caractéristiques des flammes

Lorsque la flamme est adéquatement réglée :

Il doit y avoir une flamme à chaque port du brûleur. Il ne doit pas y avoir d'intervalle d'air entre la flamme et le port du brûleur.

Communiquer avec THERMADOR^{MC} si :

1. Un brûleur ne s'allume pas.
2. Si la flamme d'un brûleur reste jaune.

Liste de vérification pour l'installateur

- Les espaces libres spécifiés jusqu'à la surface des armoires sont respectés.
- Nivellement de l'appareil – avant/arrière – latéralement.
- Les chapeaux des brûleurs sont bien placés sur les bases des brûleurs.
- Tout le matériel d'emballage a été enlevé.
- La garniture d'îlot ou le dosseret est installé conformément aux instructions.
- Le panneau de seuil est installé.
- Vérifiez la flamme de chaque brûleur. La flamme doit correspondre à la description de flamme de l'étape 10. La flamme peut tarder plusieurs minutes à brûler toutes les impuretés se trouvant dans les conduites de gaz.
- Vérifiez la fonction ExtraLow® afin de vous assurer qu'elle fonctionne et que la flamme se rallume tout autour du brûleur.
- La grille est légèrement inclinée vers l'avant et ne bouge pas (certains modèles).
- Les crochets charnières de la porte du four sont bien en place et se verrouillent correctement. La porte s'ouvre et se ferme correctement.
- Les grilles des brûleurs sont bien placées, nivelées et ne bougent pas.
- Mise en marche de l'autonettoyage. Lorsque le voyant CLEANING (nettoyage) s'allume, vérifiez si la porte est verrouillée. Annulez le mode autonettoyage.

Nettoyage et protection des surfaces externes

- Les surfaces en acier inoxydable se nettoient en passant un chiffon mouillé à l'eau savonneuse. Rincez à l'eau claire puis séchez avec un chiffon sec pour éviter les traces d'eau. Retirez les traces de doigts et les traînées avec un produit à vitres doux.
- Pour faire briller et protéger l'acier inoxydable, utilisez un produit nettoyant ou un poli comme Stainless Steel Magic^{mc}.
- **NE laissez PAS** les taches s'incruster.
- **N'utilisez PAS** de tampons ni de brosses métalliques. De petits morceaux de métal risquent d'adhérer à la surface et de la faire rouiller.
- **NE laissez PAS** les solutions salines, les désinfectants, l'eau de Javel ou les produits de nettoyage en contact avec l'acier inoxydable. Ces produits contiennent en général des produits chimiques susceptibles de l'endommager. Rincez-les à l'eau puis séchez avec un chiffon sec.

Alimentation en gaz

- Le robinet manuel d'arrêt de gaz a été installé à un endroit accessible (sans devoir déplacer la cuisinière).
- L'appareil a été testé et n'a pas de fuites de gaz.
- Si la cuisinière fonctionne au gaz propane, assurez-vous que l'alimentation en propane est pourvue de son propre détendeur en plus du détendeur fourni avec l'appareil.

Électricité

- La prise de courant sur laquelle le cordon d'alimentation est branché est bien protégée contre les surtensions.
- Une mise à la terre adéquate a été installée.

Fonctionnement

- Les cadrans des boutons sont bien centrés et les boutons tournent librement.
- Chaque brûleur s'allume correctement, seul ou avec d'autres brûleurs allumés.

Dépannage

Voyez le Guide d'utilisation et d'entretien pour les renseignements de dépannage.

Índice de Materias

Instrucciones de Seguridad	1
Información de instalación	3
Información de planificación	3
Paso 1: Requerimientos de ventilación	3
Paso 2: Preparación de gabinetes	4
Paso 3: Desempacar, mover y posicionar la estufa	9
Paso 4: Instalar el dispositivo antivolcadura	11
Paso 5: Requerimientos de gas y conexiones	13
Paso 6: Requerimientos eléctricos, conexión y puesta a tierra	15
Paso 7: Instalación de la consola trasera	18
Paso 8: Quitar y reinstalar la puerta	23
Paso 9: Colocar y nivelar la estufa	24
Paso 10: Pruebas de quemador	27
Lista de chequeo del instalador	28
Servicio, Piezas y Accesorios	contraportada

Este electrodoméstico de THERMADOR® está hecho
por BSH Home Appliances Corporation
1901 Main Street, Suite 600
Irvine, CA 92614

¿Preguntas?

1-800-735-4328

www.thermador.com

¡Esperamos oír de usted!

Instrucciones de Seguridad



INSTRUCCIONES IMPORTANTES DE SEGURIDAD

Lea Todas Las Instrucciones Antes De Continuar

Antes de empezar

IMPORTANTE: Guarde estas instrucciones para el inspector de la empresa proveedora de gas de su localidad.

INSTALADOR: Deje esas instrucciones de instalación con el aparato para el propietario.

PROPIETARIO: Guarde estas instrucciones para futuras referencias.

ADVERTENCIA!



Desconecte la corriente antes de la instalación. Antes de prender la corriente, asegúrese de que todos los controles estén en la posición OFF.

ADVERTENCIA!



Un niño o un adulto podrían volcar el aparato y perder la vida. Asegúrese de que el dispositivo antivuelco esté instalado adecuadamente y que su soporte retenga la pata del aparato al reinstalarlo en su sitio.

No utilice el aparato si el dispositivo antivuelco no está instalado. El hecho de no leer las instrucciones de este manual puede causar la muerte o graves quemaduras a niños y adultos.

Asegúrese de que el soporte antivuelco esté bien instalado y debidamente utilizado. Incline levemente la estufa por delante tirando de la parte posterior para asegurarse de que la pata del aparato esté bien enganchada en el soporte antivuelco y que el aparato no pueda volcar. La estufa no debería poder moverse más de una pulgada (2,5cm).

INSTRUCCIONES DE LA TOMA DE TIERRA

Es necesario hacer la toma de tierra de este aparato. La toma de tierra reduce los riesgos de descarga eléctrica proporcionando a la corriente eléctrica una vía de escape en caso de cortocircuito.

IMPORTANTE:

Los códigos locales pueden variar. La instalación, las conexiones eléctricas y la toma de tierra deben cumplir con todos los códigos aplicables.

PARA INSTALACIONES EN MASSACHUSETTS:

1. La instalación debe realizarse por un contratista, un plomero o un técnico de gas cualificado o autorizado por el estado, la provincia o región donde se está instalando este aparato.
2. La válvula de cierre debe ser un grifo de gas en T.
3. El conducto flexible de gas no debe medir más de 36 pulg. (914 mm).

ADVERTENCIA!

No leer la información en este manual podría provocar un incendio o una explosión, y como resultado daños a la propiedad, lesiones o la muerte.

-- No guarde o use materiales combustibles, gasolina u otros gases o líquidos inflamables cerca de este o cualquier otro aparato.

-- QUÉ HACER EN CASO DE OLER A GAS

- No trate de encender ningún aparato.
 - No toque ningún interruptor eléctrico.
 - No use ningún teléfono en su casa.
 - Llame de inmediato a su proveedor de gas desde el teléfono de algún vecino y siga las instrucciones de su proveedor de gas.
 - Cuando no pueda localizar a su proveedor de gas, llame a los bomberos.
- Un instalador cualificado, una agencia de servicio autorizada o el proveedor de gas debe realizar la instalación y el servicio.

NOTA:

Esta estufa NO está diseñada para una instalación en casas rodantes prefabricadas o en remolques usados en parques recreativos.

NO instale esta estufa afuera.



INSTRUCCIONES IMPORTANTES DE SEGURIDAD

Lea Todas Las Instrucciones Antes de Continuar

Verificación del tipo de GAS

Verifique el tipo de gas suministrado en el lugar. Asegúrese que el aparato esté conectado al tipo de gas para el cual está certificado. Todos los modelos están certificados para el uso con gas natural. La conversión del aparato para el uso con gas propano requiere de un kit de conversión.

PRECAUCIÓN!

Cuando conecta el aparato a gas propano, asegúrese de que el tanque de gas propano venga con su propio regulador de alta presión además del regulador de presión que se incluye con la estufa. La máxima presión de gas de este aparato no debe exceder 14.0 pulgadas de columna de agua (34.9 mb) del tanque de gas propano al regulador de presión.

Suministro de gas:

Gas natural — 6 pulg. columna agua (14.9 mb) mín., 14 pulg. (34.9 mb) máximo

Gas propano — 11 pulg. columna agua (27.4 mb) mín., 14 pulg. (34.9 mb) máximo

Alimentación eléctrica:

(Vea *página 15* para las especificaciones.)

Incumbe al dueño y al instalador determinar si requisitos o normas adicionales se aplican a la instalación específica.

Este aparato cumple con una o más de las siguientes normas:

- ANSI Z21.1 – norma americana para aparatos domésticos de gas
- UL 858 – norma de seguridad para estufas eléctricas domésticas
- CAN/CSA-C22.2 No 61 – norma canadiense para estufas domésticas
- CAN/CGA1.1-M81 – estufas domésticas de gas

Consulte los códigos locales de construcción para el método apropiado de instalación del aparato. Los códigos locales pueden variar. La instalación, conexiones eléctricas y conexiones a tierra deben cumplir con los códigos aplicables. En la ausencia de códigos locales el aparato debe ser instalado de acuerdo al National Fuel Gas Code (Código Nacional de Gas Combustible) ANSI Z223.1/NFPA 54 vigente y al National Electrical Code (Código Nacional de Electricidad) ANSI/NFPA 70 vigente. En Canadá, la

instalación debe ser conforme al 1-B149.1 and .2 – Installation Codes for Gas Burning Appliances (Códigos de Instalación para Unidades que Queman Gas) y/o códigos locales.

IMPORTANTE:

Cuando se instala sobre una superficie combustible, se debe usar una consola trasera baja o un estante alto. Se debe comprar por separado una consola trasera baja o un estante alto THERMADOR.

Cuando se utiliza el adorno de isla THERMADOR, hace falta un espacio libre trasero mínimo de 12 pulg. (305 mm) entre el aparato y la superficie combustible (vea la *Figura 1, Espacios libres para los armarios*). Los espacios libres para las materias no combustibles no forman parte de la norma ANSI Z21.1 y no están certificados por la CSA. Los códigos locales o la autoridad local competente deben aprobar los espacios libres de menos de 12 pulg. (305 mm).

Consulte *Tabla 3 en la página 18* para los modelos de consolas correctas que están diseñadas para esta estufa. Después de seleccionar la consola trasera correcta se debe instalar la estufa correctamente, usando los mínimos espacios libres a superficies combustibles especificadas en las instrucciones de instalación de gabinetes en la *página 5*.

ADVERTENCIA!

Para evitar un posible riesgo de quemaduras o fuego se debe instalar una consola trasera de protección diseñada específicamente para esta estufa antes de utilizarla.

PRECAUCIÓN!

El aparato sirve para cocinar. Basado en consideraciones de seguridad, nunca debe usarlo para calentar una habitación.

ADVERTENCIA!

Advertencias en virtud de la Proposición 65 del estado de California

Este producto contiene una o más sustancias químicas que el estado de California sabe que provocan cáncer, defectos congénitos, u otro daño reproductivo.

Información de instalación

Información de planificación

Antes de usar su aparato, asegúrese de leer este manual. Ponga especial atención a las Instrucciones importantes de seguridad al principio del manual.

HERRAMIENTAS REQUERIDAS	
Llave poligonal o de carraca de 7/16 pulg.	Broca de 1/8 pulg. (3,17 mm)
Broca de 3/16 pulg. (4,76 mm)	Llave de boca ajustable de 12 pulg.
Taladro eléctrico o de mano	Cinta métrica
Destornillador plano o estrella	Lápiz u otro marcador
Nivel	Plataforma de ruedas
Destornillador Torx T-20	Guantes de protección
ELEMENTOS NO INCLUIDOS	
Anclajes para yeso-cartón u hormigón	Compuesto/cinta para conducto
Cuerda/cordel	Conducto flexible de 3/4 pulg. (19 mm)
Prensacables	(2) adaptadores para brida, conformes a la norma NPT

Paso 1: Requisitos de ventilación

Consulte la *Guía de planificación de ventilación* para conocer las combinaciones de ventilación aprobadas.

Es altamente recomendado que este aparato se instale en conjunto con una campana de extracción THERMADOR. Debido a la alta capacidad de calentamiento de esta unidad, se debe prestar particular atención al trabajo de instalación de la campana y del ducto para asegurar que cumpla con los códigos locales de construcción.

No debería usar este aparato con un sistema de ventilación de corriente descendente. La *Guía de planificación de ventilación* indica las campanas que se pueden usar y contiene consignas respecto a las capacidades de las campanas que se recomiendan usar con todas las estufas THERMADOR.

No instale una combinación microondas / ventilador encima de la estufa, ya que estos tipos de aparatos no proporcionan la ventilación apropiada y no convienen para un uso con la estufa.

IMPORTANTE:

Las campanas de ventilación y los ventiladores están diseñados para usarse con conductos sencillos de pared. Sin embargo, algunos códigos locales de construcción o inspectores de obras pueden requerir conductos dobles de pared. Consulte los códigos locales de construcción o con las agencias locales antes de comenzar para estar seguro de que la instalación de la campana y de los conductos cumple con los requisitos locales.

AVISO:

La mayor parte de las estufas tienen componentes combustibles que se deben tener en cuenta al planificar la instalación.

ADVERTENCIA!

No se debería instalar este aparato con un sistema de ventilación de corriente descendente. Este tipo de sistema de ventilación puede presentar riesgo de ignición y problemas de combustión, provocando lesiones corporales, daños materiales o un funcionamiento involuntario. No se aplica ninguna restricción a los sistemas de ventilación de corriente ascendente.

Preparación de la ventilación

1. Seleccionar la campana y el ventilador:

- Para instalaciones en la pared, la anchura de la columna debe ser por lo menos igual a la anchura de la estufa. Donde el espacio lo permite, se puede instalar una campana más ancha que la superficie de la estufa para que la campana funcione mejor.
- Para instalaciones de tipo isla, la campana colgada debe ser por lo menos 3 pulgadas (76 mm) más ancha de cada lado que la superficie de la estufa.

2. Colocar la campana:

- Para eliminar mejor el humo, el borde inferior de la campana debe estar a una distancia mínima de 30 pulg. (762 mm) encima de la superficie de la estufa (vea la "Figura 1: Espacio libre para los armarios").
- Deje un espacio libre de un mínimo de 36 pulg. (914 mm) si la campana está hecha de materiales combustibles, como madera (vea la *Figura 1*).

3. Considere una fuente de aire de recambio:

- Debido al alto volumen de aire de ventilación requerido, se recomienda tener una fuente externa de aire. Esto es sumamente importante para hogares bien sellados y aislados.
- Debe consultar a un contratista cualificado en calefacción y ventilación.

Paso 2: Preparación de los armarios

- La estufa es un aparato aislado e independiente. Si desea colocar el aparato junto a armarios, debe instalarla dejando los espacios libres que se muestran en la *Figura 1*. Los mismos espacios libres se aplican a instalaciones tipo isla, excepto por los armarios colgados, que deben tener un espacio suficientemente ancho para aceptar la campana de isla acampanada.
- El suministro de gas y la alimentación eléctrica deben estar dentro de la zona indicada en la *Figura 4*.
- Se deben sellar todas las aberturas situadas en la pared detrás de la estufa y en el piso debajo de la estufa.
- Cuando se instala sobre una superficie combustible, se debe usar una consola trasera baja o un estante alto. Se debe comprar por separado una consola trasera baja o un estante alto THERMADOR®. Vea el paso 8 para obtener información sobre la consola trasera, los kits y la instalación.
- Cuando se utiliza el adorno de isla THERMADOR, hace falta un espacio libre trasero mínimo de 12 pulg. (305 mm) entre el aparato y la superficie combustible (vea la *Figura 1*). Los espacios libres para las materias no combustibles no forman parte de la norma ANSI Z21.1 y no están certificados por la CSA. Los códigos locales o la autoridad local competente deben aprobar los espacios libres de menos de 12 pulg. (305 mm).
- Cuando la estufa se instala sobre una pared combustible, se requiere un espacio libre de un mínimo de 5 pulg. (127 mm) entre la estufa y la pared.
- Siempre mantenga la zona alrededor del aparato limpia y no deje materiales combustibles, gasolina y otros gases y líquidos inflamables cerca del aparato.
- No obstruya el flujo del aire de combustión y de ventilación del aparato.
- La máxima profundidad de los armarios colgados de cualquier lado de la campana es de 13 pulg. (330 mm).
- Se necesita un espacio libre mínimo de 36 pulgadas (914 mm) entre la superficie de la estufa y la parte inferior de un armario no protegido. Se puede usar un espacio libre de 30 pulg. (762 mm) cuando el fondo de un armario de madera o de metal esté protegido por un material ignífugo de un grosor mínimo de ¼ de pulgada (6,35 mm) cubierto por una lámina de acero 28 MSG, de acero inoxidable con un grosor de 0,015 pulgada (0,4 mm), de aluminio con un grosor de 0,024 pulgada (0,6 mm), o de cobre con un grosor de 0,020 pulgada (0,5 mm).
- Los materiales ignífugos llevan la marca siguiente: UNDERWRITERS LABORATORIES INC. CLASSIFIED MINERAL Y FIBER BOARDS SURFACE BURNING CHARACTERISTICS. Esta indicación está seguida por el índice de propagación de las llamas y del humo. Estas designaciones aparecen como "FHC". Los materiales que tienen un índice de propagación de llamas de "0" son ignífugos. Los códigos locales pueden permitir índices de propagación de las llamas diferentes. Incumbe al dueño y al instalador asegurarse de que la instalación se haga conforme a este índice.

Espacios libres para la instalación

- Estufas de 30 pulg. { Anchura de la campana: 30 (762) o 36 pulg. (914 mm)
Instalación de tipo isla: 36 (914) o 42 pulg. (1067 mm)
- Estufas de 36 pulg. { Anchura de la campana: 36 (914) o 42 pulg. (1067 mm)
Instalación de tipo isla: 42 (1067) o 48 pulg. (1219 mm)
- Estufas de 48 pulg. { Anchura de la campana: 48 (1219), 54 (1372) ou 60 pulg. (1524 mm)
Instalación de tipo isla: 54 pulg. (1372 mm)

La zona sombreada aquí arriba indica el espacio libre mínimo hasta superficies combustibles; las materias combustibles no pueden colocarse dentro de esta zona

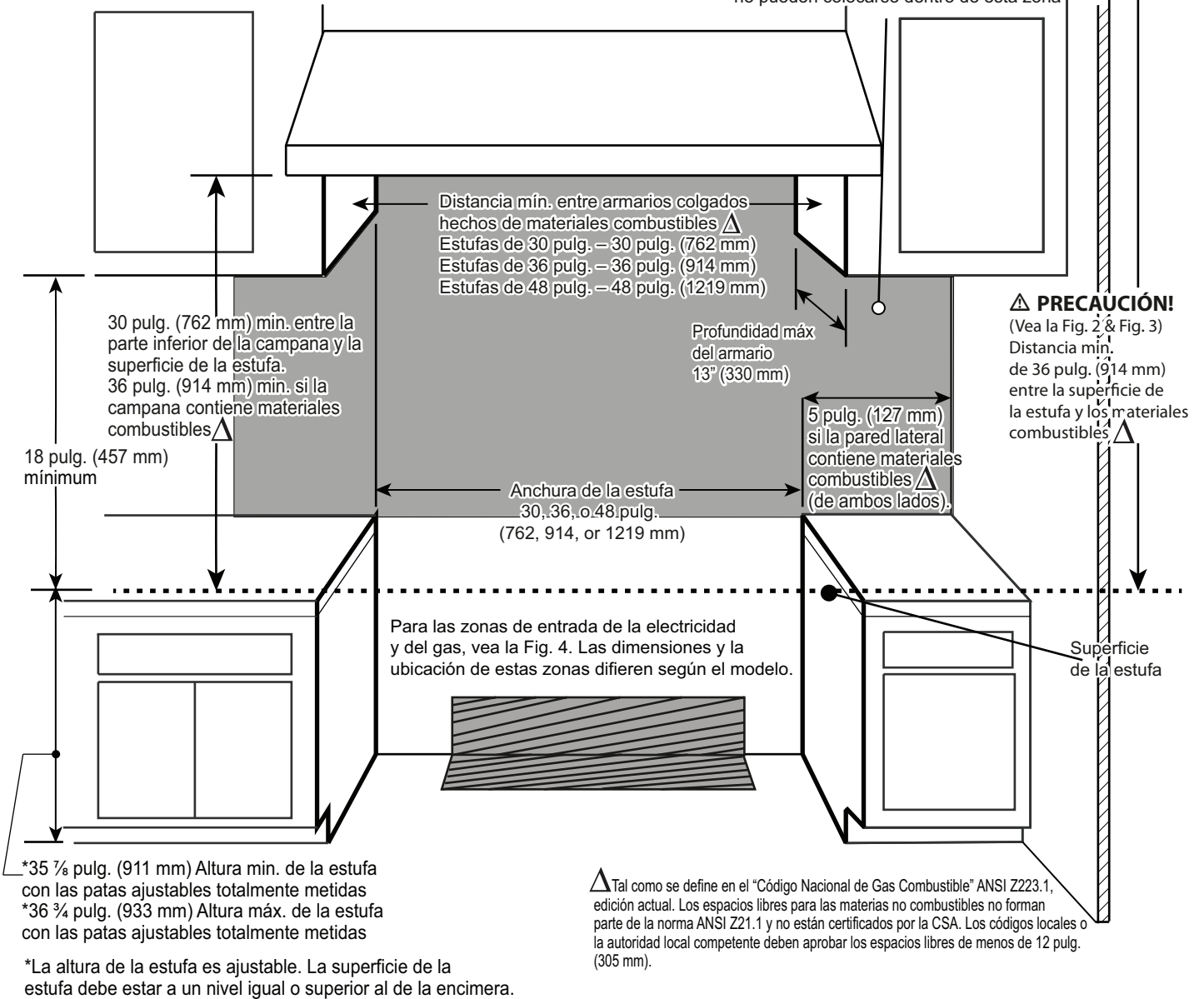
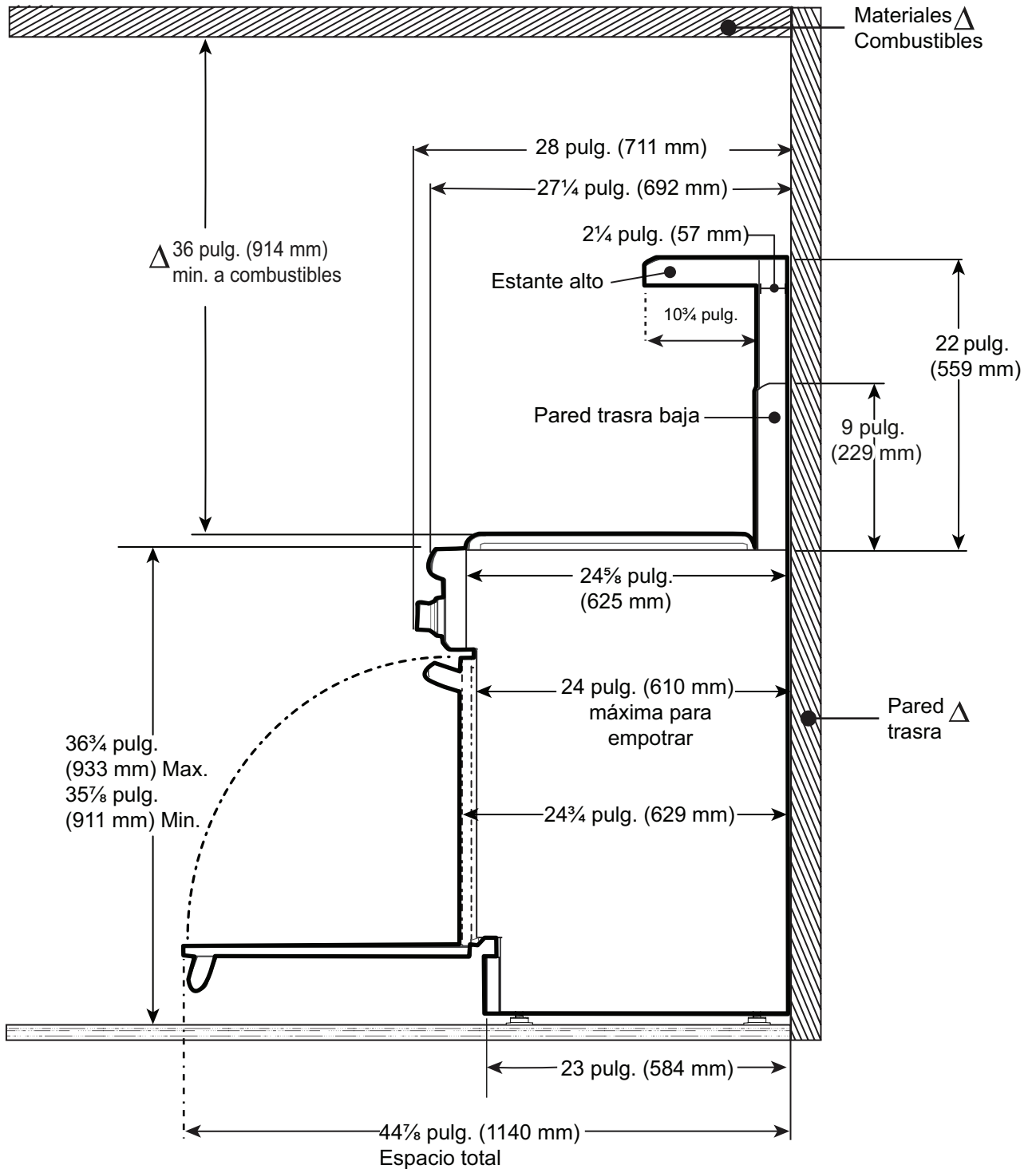


Figura 1: Espacios libres de los gabinetes

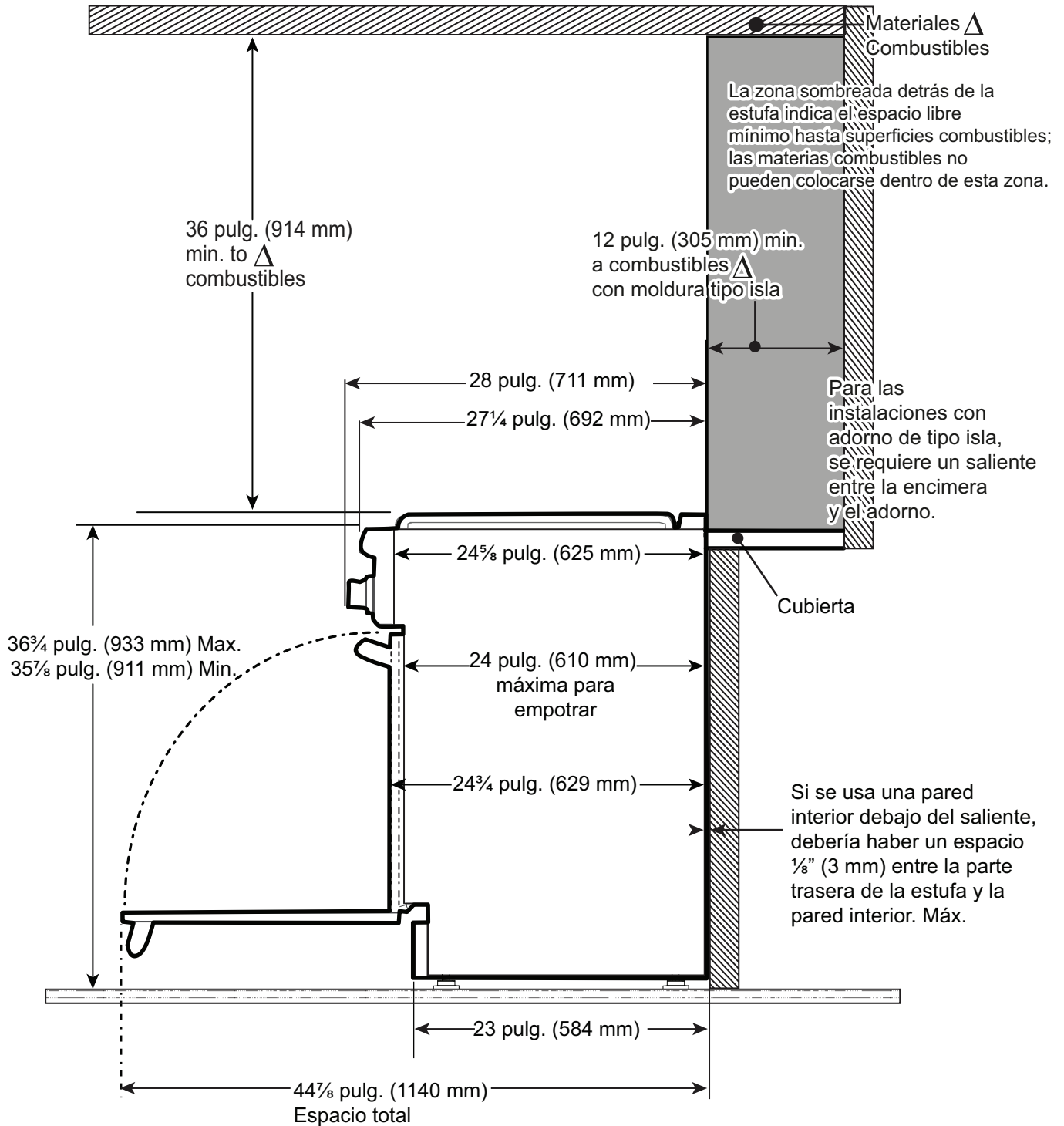
Instalación con “consola de protección o “estant de ollas”



Δ Tal como se define en el "Código Nacional de Gas Combustible" ANSI Z223.1, edición actual. Los espacios libres para las materias no combustibles no forman parte de la norma ANSI Z21.1 y no están certificados por la CSA. Los códigos locales o la autoridad local competente deben aprobar los espacios libres de menos de 12 pulg. (305 mm).

Figura 2: Instalación con “consola de protección o “estant de ollas”

Instalación con “moldura de isla al ras”

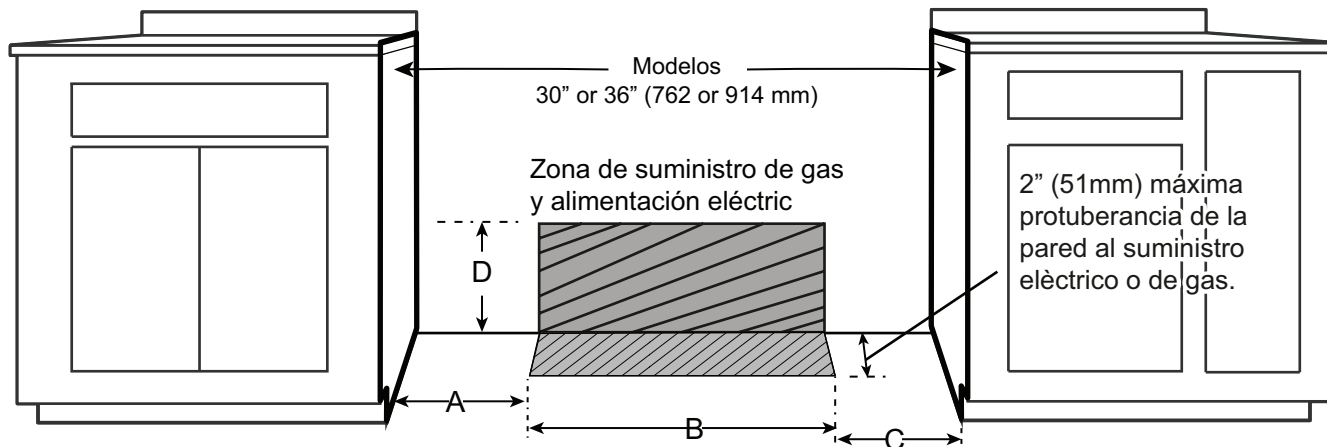


Δ Tal como se define en el "Código Nacional de Gas Combustible" ANSI Z223.1, edición actual. Los espacios libres para las materias no combustibles no forman parte de la norma ANSI Z21.1 y no están certificados por la CSA. Los códigos locales o la autoridad local competente deben aprobar los espacios libres de menos de 12 pulg. (305 mm).

Figura 3: Instalación con “moldura de isla al ras”

Suministro eléctrico y de gas

Localización de la conexión de alimentación de gas e eléctrico en estufas de 30" et 36"



Modelo	A	B	C	D
30" (762 mm)	5 ³ / ₈ " (146 mm)	18 ⁷ / ₁₆ " (468 mm)	5 ¹³ / ₁₆ " (148 mm)	4 ³ / ₈ " (111 mm)
36" (913 mm)	8 ¹ / ₁₆ " (205 mm)	19 ¹³ / ₁₆ " (503 mm)	8 ¹ / ₈ " (206 mm)	4 ³ / ₈ " (111 mm)

Localización de la conexión de alimentación de gas e eléctrico en estufas de 48"

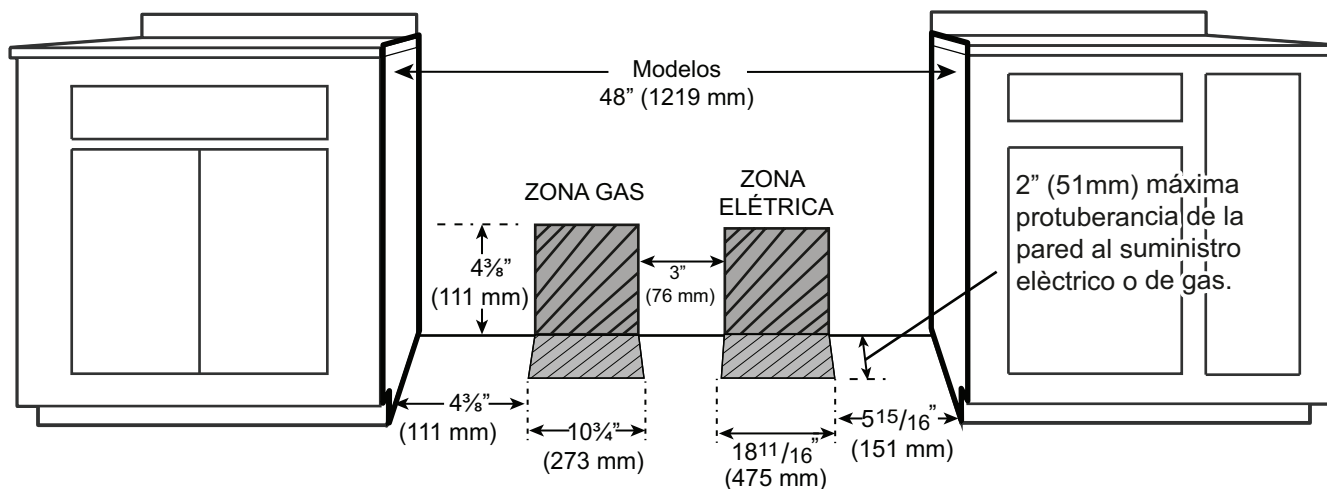


Figura 4: Suministro eléctrico y de gas para las estufas de doble combustible

NOTA:

- Si aún no existe, instale una válvula manual de cierre de gas en un lugar de fácil acceso.
- Asegúrese de que todos los usuarios sepan dónde y cómo cerrar el suministro de gas de la estufa.
- Se deben sellar todas las aberturas situadas en la pared detrás de la estufa y en el piso debajo de la estufa.

Se puede conectar la estufa de gas a la fuente de alimentación eléctrica con un cable eléctrico (proporcionado con la estufa) o mediante una conexión directa a la fuente de alimentación. Es responsabilidad del instalador proporcionar los componentes correctos del cableado (cable o conducto y alambres) y conectar el aparato al gas conforme a los códigos y regulaciones locales, o al Código Eléctrico Nacional. La toma de tierra de los aparatos se debe hacer adecuadamente. Consulte el "Paso 7: Instalación de la consola trasera (opcional)".

Se debe conectar la estufa solamente al tipo de gas para el cual está certificada. Cuando conecte el aparato a gas propano, asegúrese de que el tanque de gas propano venga con su propio regulador de alta presión además del regulador de presión que se incluye con la estufa (vea el “Paso 6: Requerimientos eléctricos, conexión y puesta a tierra”).

NOTA:

La estufa está diseñada para estar nivelada casi perfectamente con la pared trasera. Para lograr una instalación exitosa, puede ser necesario que tenga que volver a colocar la línea de suministro de gas y los cables eléctricos según va empujando la estufa hacia su posición final.

SUGERENCIAS: Para conseguirlo, le sugerimos jalar cuidadosamente el suministro de gas y el cable eléctrico con una cuerda o un cordel mientras empuja la estufa hacia su posición final.

Alimentación Eléctrica

Se debe planear la instalación de la estufa de tal modo que la placa de la caja de conexiones del enchufe o de la conexión al gas deje el máximo espacio libre detrás del aparato.

Cuando se conecta el cable de alimentación o el conducto al receptáculo de acoplamiento o a la cubierta de la caja de conexiones, el conector enchufe / receptáculo o la cubierta de la caja de conexiones / conducto no debe salir más de 2 pulg. (51 mm) de la pared trasera (vea la *Figura 5*).

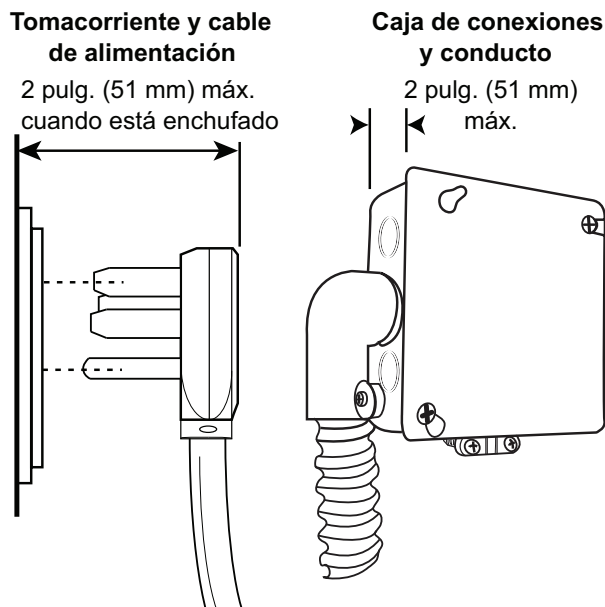


Figura 5: Conexión en la pared

NOTA:

Los modelos de estufas destinados al mercado canadiense están equipados con un cable de alimentación.

Vea la *Figura 10 en la página 16* para conocer la ubicación de la caja de conexiones en el aparato. Para minimizar amarres una vez que el aparato está conectado al enchufe o a la caja de conexiones, oriente el enchufe o el conector de conductor y deslícelo hasta su posición original.

Al utilizar un tomacorriente, es posible que tenga que empotrar la caja en la pared trasera. Consulte el código de electricidad para establecer el volumen mínimo de todas las cajas eléctricas o de conexión que se usan. Respete todos los códigos de electricidad locales.

Paso 3: Desempacar y mover la estufa

Desempacar la estufa

1. Quite la caja exterior de cartón y el material de empaque de la plataforma de expedición, pero deje las láminas de espuma adhesivas encima de las superficies de metal cepillado para proteger el acabado contra los rasguños hasta colocar la estufa en su posición final.
2. Se deben quitar las rejillas, la plancha, las tapas de los quemadores y las rejillas de la hornilla para facilitar el manejo. Se deben quitar las rejillas, la plancha, las tapas de los quemadores y las rejillas de la hornilla para facilitar el manejo. Si lo desea, puede también quitar las puertas de la hornilla (consulte el “Paso 2: Preparación de los armarios” en la página 4). No quite el ensamblaje de la plancha.

	ESTUFA 30"	ESTUFA 36"	ESTUFA 48"
Peso embarque	377 lbs (171 kg)	395 lbs (179 kg)	560 lbs (254 kg)
Peso sin materiales de empaque	293 lbs (133 kg)	337 lbs (153 kg)	470 lbs (213 kg)

Tabla 1: Peso de Modelo

Mover la Estufa

PRECAUCIÓN!



NO levante la estufa por la agarradera de la puerta, ya que esto puede dañar las bisagras de la puerta y causar que la puerta ya no quepa bien en la cavidad de la hornilla.

NO levante el aparato por el panel de control.

La estufa es pesada y se debe manejar en consecuencia. Para evitar lesiones y no dañar el aparato o el piso, se debe utilizar el equipo apropiado y por lo menos dos personas equipadas adecuadamente para mover la estufa.

Dichas personas deben llevar guantes de protección y evitar llevar anillos, relojes u otros objetos parecidos que pueden dañar o engancharse en el aparato.

Las superficies ocultas del aparato pueden tener salientes cortantes. Tenga cuidado al sujetar el aparato por debajo o por atrás.

No use una carretilla de mantenimiento manual o un carro para electrodoméstico en las partes frontal o trasera del aparato. Úselos únicamente en los lados.



Debido al peso se debe usar una carretilla con ruedas suaves para transportar esta unidad. El peso debe quedar soportado uniformemente sobre la parte inferior.

NOTA

El diagrama del cableado eléctrico se encuentra detrás del rodapié. No se debe quitar, excepto por un técnico de mantenimiento, que lo tiene que colocar en su sitio después de utilizarlo.

Quitar los pernos de la tarima

1. Para quitar los cuatro (4) pernos de la tarima que se ubican en la parte inferior, delante y detrás, utilice una llave inglesa o de carraca de 7/16 pulg. Tire los trozos de madera del embalaje.

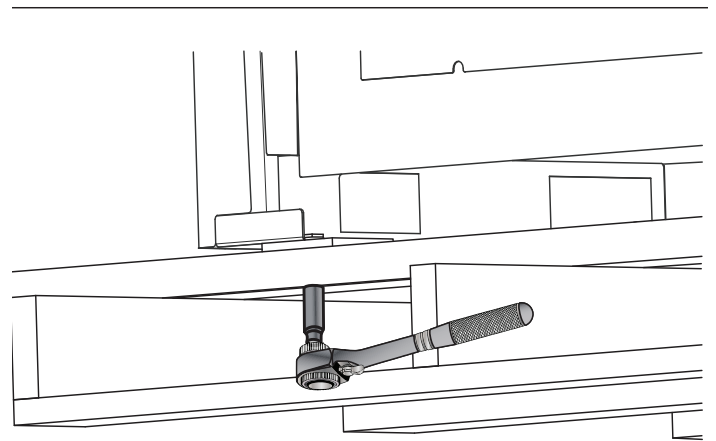





Figura 6: Quitar los pernos de expedición

2. Levante la estufa y retírela de la tarima. Pida ayuda si hace falta.
3. Con un carro, desplace la estufa hasta el lugar donde la quiere instalar. No transporte la estufa apoyando la parte frontal sobre el carro.
4. Puede apoyar la estufa sobre sus patas traseras para retirar el carro con toda seguridad. **PROTEJA EL SUELO BAJO LAS PATAS TRASERAS ANTES DE EMPUJAR EL APARATO EN EL LUGAR DE INSTALACIÓN.**
 - Deberá seguir los pasos 4 a 8 antes de colocar la estufa en su emplazamiento definitivo. Para el adecuado funcionamiento de la estufa, ésta debe estar nivelada. Consulte el “Paso 9: Colocar y nivelar la estufa” en la página 24 para obtener instrucciones al respecto.

Paso 4: Instalación del dispositivo antivuelco

Para todas las estufas, se debe instalar un dispositivo antivuelco siguiendo las instrucciones.

 ADVERTENCIA!	
	<p>RIESGO DE VUELCO DE LA ESTUFA:</p> <ul style="list-style-type: none">• Un niño o un adulto podrían volcar el aparato y perder la vida.• Asegúrese de que el dispositivo antivuelco esté instalado adecuadamente y que su soporte retenga la pata del aparato, conforme a las instrucciones de instalación.• Asegúrese de que el dispositivo antivuelco retenga la pata del aparato al reinstalarlo en su sitio.• No utilice el aparato si el dispositivo antivuelco no está instalado y no retiene el aparato.• El hecho de no leer las instrucciones de este manual puede causar la muerte o graves quemaduras a niños y adultos.
<p>Cuando jale la estufa de la pared por motivos de limpieza, servicio u otra razón, asegúrese de volver a insertar correctamente el dispositivo antivuelco cuando empuje la estufa contra la pared. Sino, en el caso de un uso poco normal de la estufa (por ejemplo si alguien trepa, se sienta o se apoya sobre una puerta abierta), ésta podría volcarse. El hecho de ignorar esta precaución puede causar el vuelco de la estufa, lo que podría causar lesiones debido a líquidos calientes derramados o al peso mismo de la estufa.</p>	

 ADVERTENCIA!	
<p>RIESGO DE DESCARGA ELÉCTRICA</p> <ul style="list-style-type: none">• Tenga mucho cuidado cuando perfore orificios en una pared o en el piso ya que puede haber cables eléctricos ocultos.• Identifique los circuitos eléctricos que podrían encontrarse en el sitio donde se instalará el dispositivo antivuelco y apague la corriente de estos circuitos.• La falta de observar estas instrucciones puede causar una descarga eléctrica o lesiones graves.	

PRECAUCIÓN — DAÑOS A LA PROPIEDAD:

- Contacte a un instalador o contratista cualificado para determinar el mejor método para perforar los orificios a través de la pared o del piso teniendo en cuenta el material (cerámica, madera dura, etc.).
- No deslice la estufa sobre un piso desprotegido.
- Si no lee estas instrucciones podría dañar la pared o la superficie del piso.

No de pieza	Cantidad	Descripción
00415078	4	Tornillos Phillips, #10 x 1½ pulg.
00647936	1	Soporte antivuelco

Los elementos de fijación proporcionados sirven para instalar el aparato fijándolo a travesaños de madera de un tamaño estándar. Para los otros tipos de instalación, el instalador debe proporcionar los elementos de fijación.

Información de instalación importante:

- Se puede fijar el soporte antivuelco a una superficie de madera dura siempre que el tamaño mínimo de la pared sea de 3/4 pulg. (19 mm).
- El grosor de la pared o del piso puede requerir tornillos más largos, disponibles en su ferretería local.
- En todo caso, se deben fijar por lo menos dos tornillos de montaje a la superficie de madera dura.
- Use taquetes apropiados cuando fija el soporte antivuelco a cualquier material diferente que madera o metal.

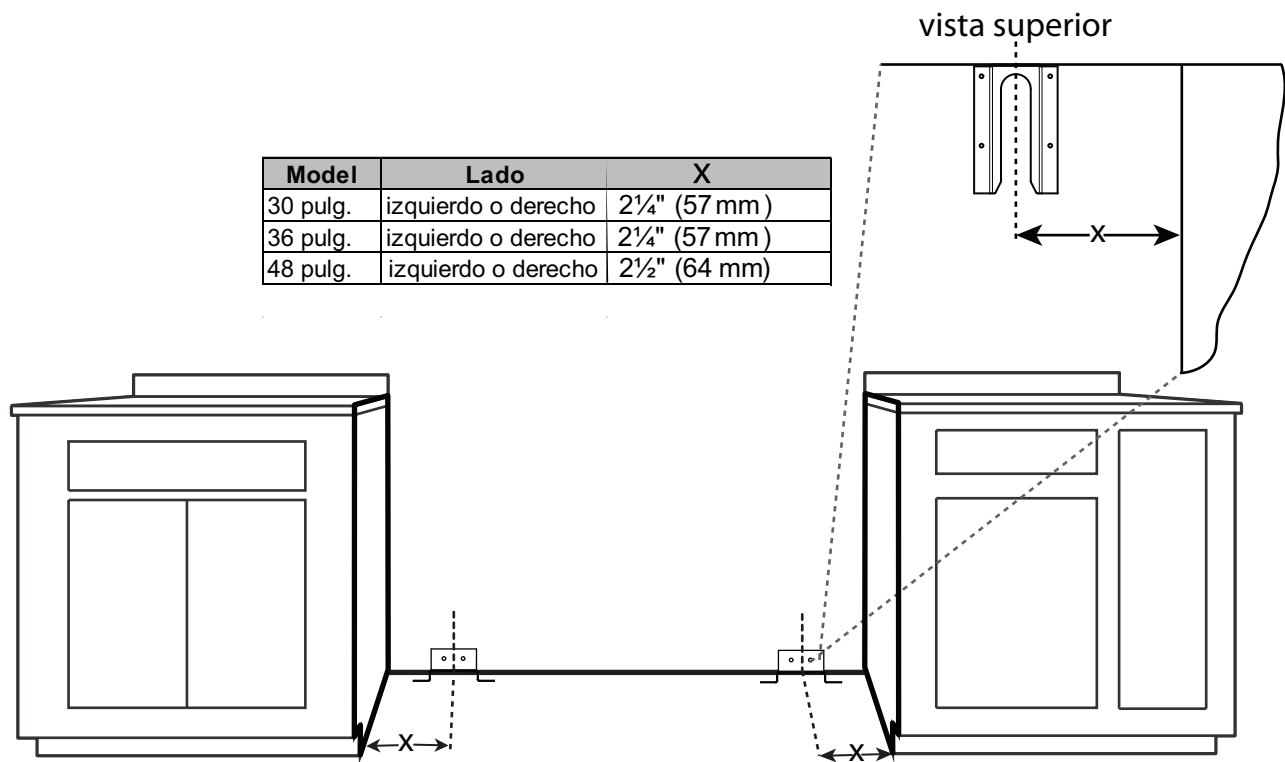


Figura 7: Colocación del dispositivo antivolcadura

Prepare orificios según indicados abajo:

- Para paredes, pernos de pared o pisos hechos de madera sólida o metal, perfore orificios de 1/8 pulg (3 mm).
- Para paredes o pisos hechos de muro seco, tablaroca u otros materiales suaves, perfore orificios de 3/16 pulg (5 mm) a una profundidad mínima de 1¾ pulg (45 mm), luego inserte taquetes de plástico en cada orificio usando un martillo.
- Para paredes o pisos hechos de cemento o bloques de concreto, perfore orificios de 3/16 pulg (5 mm) a una profundidad mínima de 1¾ pulg (45 mm), luego inserte de taquetes para concreto en cada orificio usando montaje un martillo.
- Para paredes o pisos que están cubiertos con azulejos de cerámica, perfore orificios de 3/16 pulg (5 mm) solamente a través del azulejo, luego perfore el material detrás del azulejo como se indica arriba.

Instalar el soporte de montaje antivolcadura

El soporte de montaje alternativo para el piso debe ser instalado del siguiente modo:

1. Coloque el soporte sobre el piso en la posición indicada en la *Figura 7*.
 - Se puede usar un soporte de 30 o 36 pulg. en una de las esquinas del área de instalación.
2. Fíjelo al suelo y a un travesaño con los (4) tornillos estrella de 1,5 pulg. (38 mm) proporcionados.
3. Luego, cuando la unidad está instalada, la pata ajustable se desliza debajo del soporte.
4. Si se mueve la estufa a un lugar nuevo, se debe quitar y reinstalar el dispositivo antivolcadura.

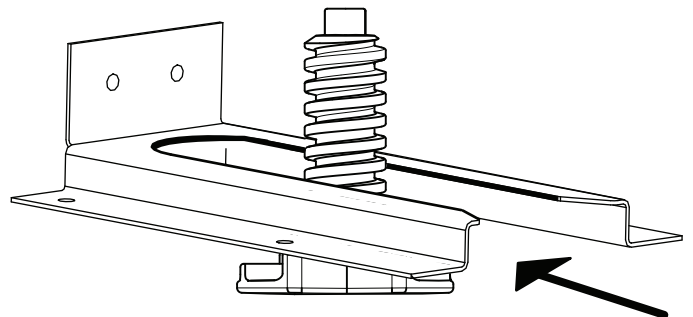


Figura 8: Instalar el dispositivo antivolcadura

Paso 5: Requerimientos de gas y conexiones

Verifique el tipo de gas que se está usando en el lugar de instalación. **El aparato se envía de la fábrica para el uso con gas natural. Debe ser convertida para el uso con propano. Un técnico o instalador calificado debe realizar la conversión.** Asegúrese que la estufa coincide con el tipo de gas disponible en este lugar.

PRECAUCIÓN!

Cuando conecte el aparato a gas propano, asegúrese de que el tanque de gas propano venga con su propio regulador de alta presión además del regulador de presión que se incluye con la estufa. La máxima presión de gas de este aparato no debe exceder 14.0 pulgadas (34.9 mb) de columna de agua entre el tanque de gas propano y el regulador de presión.

Este aparato tiene la certificación CSA para un funcionamiento seguro a altitudes de hasta 2000 pies (610 m) sobre el nivel del mar.

MODELOS DE 48 PULG. APARATOS QUE FUNCIONAN CON GAS NATURAL O PROPANO (GLP) - Para instalar el aparato a más de 2000 pies (610 m) sobre el nivel del mar, se puede comprar un juego de conversión para gran altitud llamando al teléfono de atención al cliente de Thermador (número de juego: 00619199). El juego de conversión para gran altitud debe de ser instalado por un profesional acreditado.

MODELOS DE 30 PULG. Y 36 PULG.; APARATOS QUE FUNCIONAN CON GAS NATURAL O PROPANO (GLP) - Para altitudes de más de 2000 pies (610 m) sobre el nivel del mar, se pueden llevar a cabo ajustes en el juego de conversión proporcionado con el aparato. Si el rendimiento de las llamas es satisfactorio, no se necesitará el juego de conversión. Los ajustes durante la instalación del juego de conversión para gran altitud deben realizarse por un profesional acreditado.

Aparatos de gas propano - Este aparato está certificado para funcionar de forma segura a altas altitudes de hasta 2000 pies (610 m) sobre el nivel del mar. Se debe proceder a la conversión del aparato a gas propano antes de convertirlo para un uso a altas altitudes. Se debe usar un juego de conversión a gas propano (número de serie 00649832), disponible en atención al cliente de Thermador. Solamente un profesional cualificado debe proceder a la instalación del juego de conversión.

REQUERIMIENTOS PARA GAS NATURAL:

Conexión entrada:	½" NPT interno (Mínimo manguera flexible con diámetro de ¾")
Presión suministro:	6" min. a 14" max. columna de agua. (14.9 a 34.9 mb)
Presión manifold:	5" columna de agua (12.5 mb)

REQUERIMIENTOS PARA GAS PROPANO:

Conexión entrada:	½" NPT interno (Mínimo manguera flexible con diámetro de ¾")
Presión suministro:	11" a 14" máx. columna de agua (27.4 mb a 34.9 mb)
Presión manifold:	10" columna de agua (24.9 mb)

Conexión

Un técnico competente debe realizar las conexiones del suministro de gas conforme a los códigos y regulaciones locales. A falta de códigos locales, la instalación debe estar conforme al Código Nacional de Gas Combustible ANSI Z223.1/NFPA54- edición actual.

- Se debe instalar una válvula manual externa de cierre de gas, en un lugar accesible desde el frente para cerrar el suministro de gas. La línea de suministro no debe interferir con la parte trasera de la unidad. Asegúrese de cerrar el suministro de gas en la válvula de cierre manual antes de conectar el aparato.
 - La estufa viene con su propio regulador de presión que fue montado permanentemente dentro del cuerpo de la estufa.
- Utilice una línea flexible de ¾" entre el suministro de gas y la línea de suministro del aparato. La línea de suministro de gas está ubicada en la parte inferior derecha de todas las estufas. (*Figura 11*). La línea de suministro de gas del aparato es de tipo NPT ½".
 - Tenga cuidado de no torsionar la manguera flexible de ¾" cuando haga dobleces. La longitud sugerida de la manguera es de 48" (1,20 m), sin embargo, por favor revise los códigos locales para los requerimientos en su área antes de la instalación.
- Utilice compuesto para juntas de tubería o cinta Teflon en la rosca de los tubos. No aplique dicho compuesto o cinta para agrandar las juntas. Tenga cuidado de no aplicar demasiada presión al apretar las juntas.
- Las pruebas de fugas del aparato deben estar conforme a las siguientes instrucciones.
 - Prenda el gas y revise las conexiones de la línea desuministro para ver si hay fugas usando una solución con agua y jabón.
 - Burbujas que aparecen indican una fuga de gas. Repare todas las fugas de inmediato.

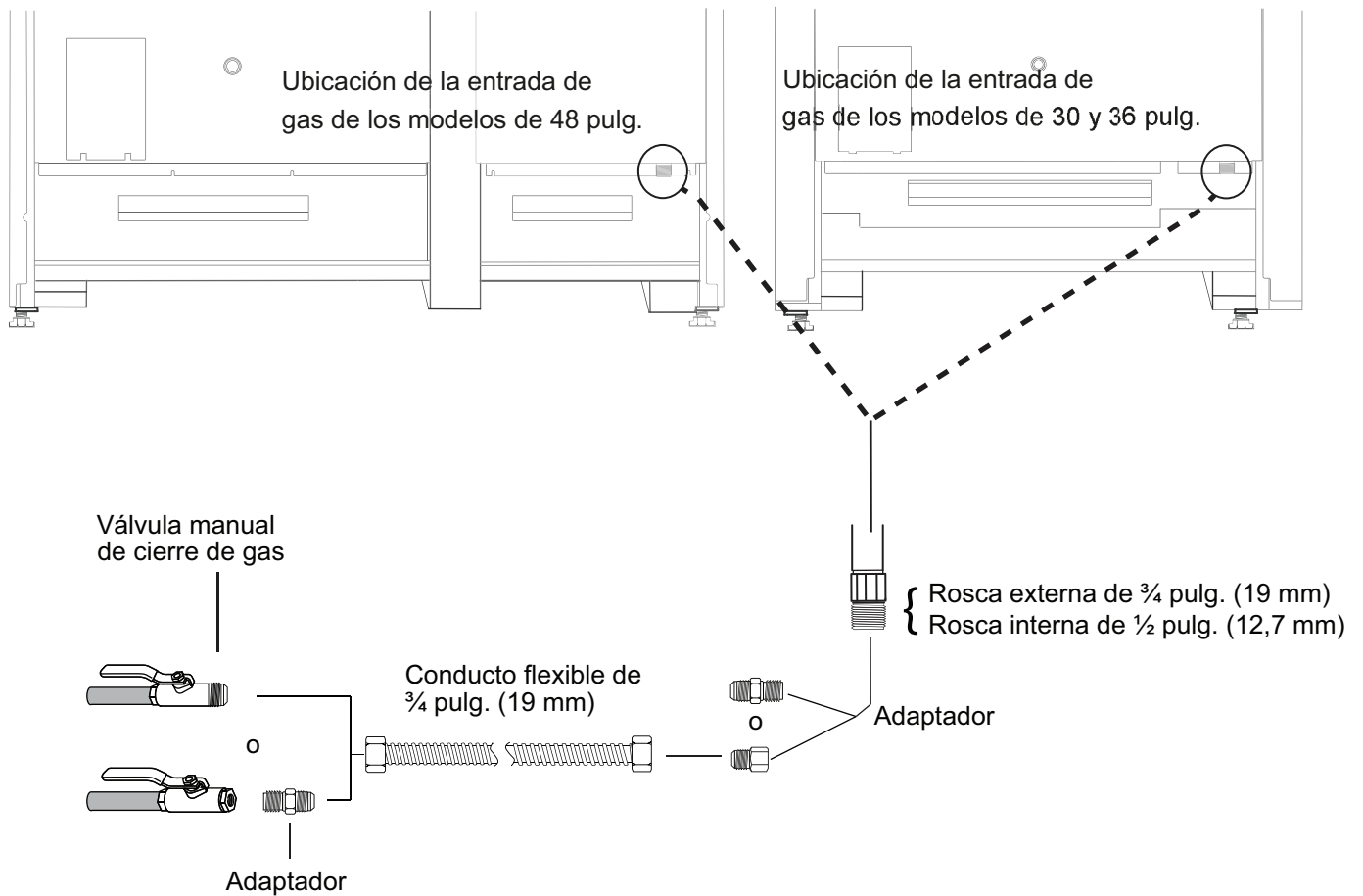


Figura 9: Conexión al suministro de gas

⚠ PRECAUCIÓN!

El aparato debe estar aislado del sistema de tubería de suministro de gas cerrando la válvula manual de cierre durante cualquier prueba de la línea de suministro de gas a presiones de prueba igual a o inferior a $\frac{1}{2}$ psi (3,5kPa.).

⚠ ADVERTENCIA!

No use ningún tipo de llama para verificar si hay fugas de gas.

Paso 6: Requerimientos eléctricos, conexión y puesta a tierra

TIPO DE MODELO	VOLTAJE	CLASIFICACIÓN CIRCUITO	FRECUENCIA	FASE
30"	240/208 VAC	40 Amps	60 Hz.	Monofásico
36"	240/208 VAC	40 Amps	60 Hz.	Monofásico
48"	240/208 VAC	50 Amps	60 Hz.	Monofásico

Tabla 2: Requerimientos del circuito de alimentación eléctrica

Antes de dar servicio al aparato, siempre debe desconectar el cable de alimentación eléctrica de la tomacorriente en la pared. Si el aparato está conectado en forma directa a la fuente de alimentación, desconecte la electricidad a la unidad apagando el cortacircuitos correcto o desconectando el fusible correcto. Bloquee el panel de servicio para prevenir que la corriente se encienda accidentalmente.

Se debe proporcionar un cable neutral de alimentación de la fuente de alimentación (cortacircuitos/panel de fusibles) porque los componentes críticos de la estufa, incluyendo los módulos de reencendido por chispa de los quemadores superficiales, requieren de 120 VAC para funcionar correctamente.

PRECAUCIÓN!

Una fuente de alimentación incorrecta de 240/208 VAC causará el mal funcionamiento de este aparato, dañará la estufa y podría presentar un riesgo de descarga eléctrica.

Cuando el circuito eléctrico correcto no es adecuado, es responsabilidad y obligación del instalador y del usuario hacer conectar una fuente de alimentación apropiada por un técnico cualificado. Incumbe al instalador asegurarse de la observación de los códigos locales. La instalación debe estar hecha conforme a todos los códigos y regulaciones locales aplicables. A falta de códigos locales, la conexión de la fuente de alimentación debe ser conforme al Código Eléctrico Nacional.

La toma de tierra debe estar hecha conforme a todos los códigos vigentes. Sino, se debe aplicar la norma de electricidad ANSI/NFPA No 70 (EEUU) vigente. Consulte la información de la presente sección (Paso 7) para conocer el método de toma de tierra a utilizar.

Los diagramas eléctricos a los que debe recurrir el técnico de servicio cualificado se encuentran detrás del adorno de la puerta de la hornilla (vea *Figura 27 en la página 24*).

Se deben conectar las estufas a la alimentación eléctrica de 240/208 VCA.

Se deben conectar los modelos de estufas mixtas a la fuente de alimentación eléctrica utilizando uno de los siguientes métodos. Para todos los métodos de conexión, la longitud del cable o del conducto / cableado debe permitir que la unidad pueda sacarse completamente de los armarios sin que se tenga que desenchufar o desconectar el aparato de la fuente de alimentación.

La longitud mínima recomendada para el cable o conducto es de cuatro pies. Las instalaciones eléctricas y la toma de tierra deben estar conformes a todos los códigos y regulaciones locales, o al Código Eléctrico Nacional, según el caso.

Conexión Permanente (Cableado Directo)

Se pueden conectar los aparatos directamente a la fuente de alimentación. El instalador debe suministrar un conducto flexible de aluminio aprobado, de un tamaño comercial de 3/4 pulg. (19 mm), de una longitud máxima de 6 pies (1,8 metro).

Localice la caja de conexiones en la parte trasera del aparato y quite la cubierta (consulte la *Figura 10*). Se debe fijar el conducto a la caja de conexiones utilizando un conector de conducto aprobado. Se debe conectar la extremidad libre del conector de conducto a una caja de conexiones instalado en la zona de alimentación eléctrica, como se muestra en la *Figura 4 en la página 8*.

Instale un prensacables (no incluido) en el orificio de 1 pulg. (25,4 mm) de diámetro situado debajo de la caja de conexiones (vea la *Figura 10*). El cableado del aparato debe llegar hasta la caja de conexiones mediante el conducto, pasando a través del prensacables. Las extremidades de los cables deben tener fijadas lengüetas cerradas de 1/4 pulg., preferentemente soldadas en su lugar. Realice las conexiones a la caja de conexiones incluida.

Si se usa un cable de aluminio en la instalación, empalme el cable de aluminio con un cable de cobre de un grosor adecuado, para que se adapte a la estufa, utilizando conectores especialmente diseñados y certificados para unir cables de aluminio y de cobre. Siga el proceso de instalación recomendado por el fabricante del conector.

⚠ ADVERTENCIA!

La incorrecta conexión del cable de aluminio puede presentar un riesgo de descarga eléctrica. Una únicamente conectores diseñados y certificados para una conexión con un cable de aluminio.

Conexión de 4 cables

Generalmente se debe conectar el aparato a la fuente de alimentación con un cable de 4 conductores, tripolar, para un voltaje nominal de 125/250 voltios, 50 amperios, y marcada para un uso con estufas.

Se debe fijar el cable a la caja de conexiones de la estufa con un prensacables que cabe en un orificio de un diámetro de 1". Si no viene ya equipado, el cable debe tener lengüetas cerradas de 1/4", fijadas a los extremos libres de los conductores individuales, de preferencia soldadas en su lugar.

1. Localice la caja de conexiones en la parte trasera del aparato y quite la cubierta (consulte la *Figura 10*).
2. Quite las tuercas superiores solamente de los bornes de la caja de conexiones. No quite las tuercas inferiores que fijan los cables del cableado interno a la estufa.
3. Instale el prensacables (no incluido con la estufa) en el orificio de 1 pulg. (6 mm) de diámetro situado en el panel trasero, debajo de la caja de conexiones (vea la *Figura 10*). Pase los cables por el prensacables.

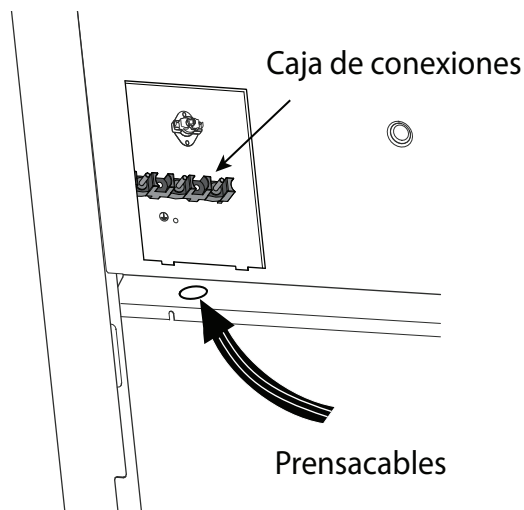


Figura 10: Ubicación del prensacables

4. Fije el cable neutro de toma de tierra del circuito de alimentación al contacto central de la caja de conexiones con una tuerca (vea la *Figura 11*).
5. Fije los conductores de alimentación L1 (rojo) y L2 (negro) a los contactos de la caja de conexiones exterior (color latón) con tuercas.
6. Quite el tornillo verde del cable de toma de tierra situado debajo de la caja de conexiones. Tire del cable blanco.
7. Fije el cable desnudo de cobre de toma de tierra al chasis de la estufa utilizando el tornillo de toma de tierra previamente usado con el cable blanco. Asegúrese de que los bornes de neutro y de toma de tierra no hagan contacto.
8. Apriete bien todas las conexiones.

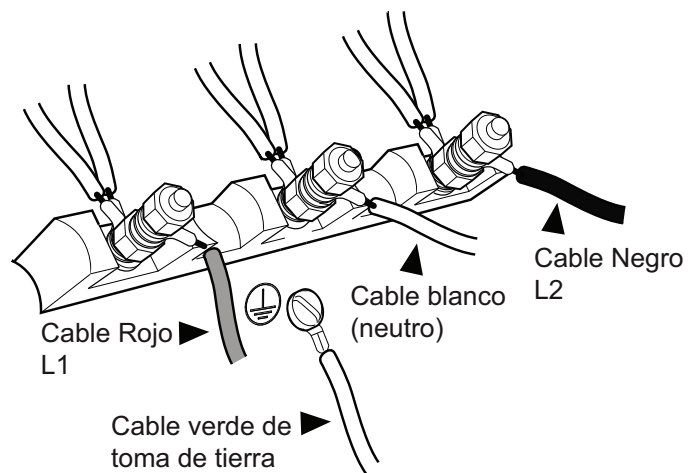


Figura 11: Conexión de cuatro cables

9. Reinstale la cubierta de la caja de conexiones.

INSTALADOR – muestre al propietario la ubicación del disyuntor o del fusible. Márquela para recordarla más fácilmente.

Conexión de 3 cables

Donde los códigos y las regulaciones locales permiten la toma de tierra a través del conductor neutro, y la conversión de alimentación a 4 cables es algo irrealizable, se puede conectar el aparato a la fuente de alimentación con un cable de 3 conductores, tripolar, con un voltaje nominal de 125/250 voltios, 50 amperios, marcada para un uso con estufas.

Fije el cable a la caja de conexiones de la estufa con un prensacables que quepa en un orificio de un diámetro de 1 pulg. (25,4 mm). Si no es el caso, el cable debe tener lengüetas cerradas de ¼ pulg. (6 mm), fijadas a los extremos libres de los conductores individuales, preferentemente soldadas en su lugar.

1. Localice la caja de conexiones en la parte trasera del aparato y quite la cubierta (consulte la *Figura 12*).
2. Instale el prensacables (no incluido con la estufa) en el orificio de 1 pulg. (6 mm) de diámetro situado en el panel trasero, debajo de la caja de conexiones (vea la *Figura 12*). Pase los cables por el prensacables.

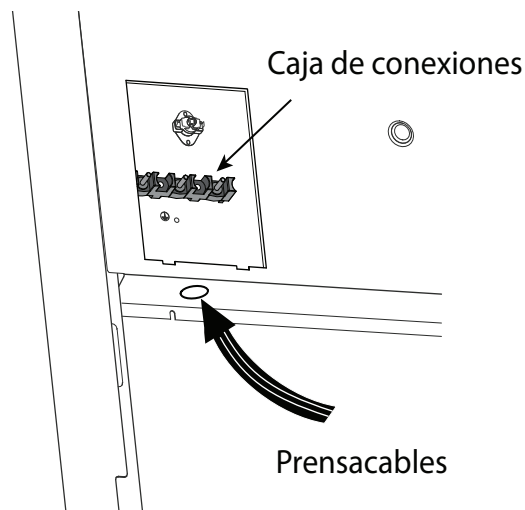


Figura 12: Ubicación del prensacables

3. Quite solamente las tuercas superiores de los contactos de la caja de conexiones. No quite las tuercas que fijan los cables del cableado interno de la estufa.
4. Fije el cable neutro de tierra del circuito de alimentación al contacto central (color plata) de la caja de conexiones (vea la *Figura 13*).
5. Fije los conductores de alimentación L1 (rojo) y L2 (negro) a los contactos correspondientes de la caja de conexiones exterior (color latón) con tuercas.
6. Fije una de las extremidades del cable neutro lazado, situado debajo de la caja de conexiones, al contacto central de la caja de conexiones con una tuerca y fije la otra extremidad a la parte trasera de la estufa.
7. Apriete bien las tuercas.

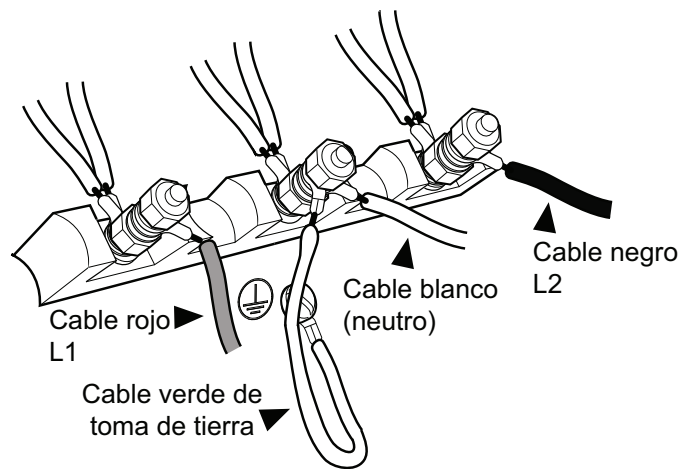


Figura 13: Conexión de 3 cables

8. Reinstale la cubierta de la caja de conexiones.

INSTALADOR – muestre al propietario la ubicación del disyuntor o del fusible. Márquela para recordarla más fácilmente.

Paso 7: Instalación de la consola trasera (opcional)



MODELO	9" CONSOLA BAJA	ESTANTE DE OLLA Y SÁRTEN 22"	MOLDURA DE ISLA AL RAS
30"	PA30GLBH	PA30GSH	Incluida con la estufa
36"	PA36GLBH	PA36GSH	Incluida con la estufa
48"	PA48GLBH	PA48GSH	Incluida con la estufa

Tabla 3: Número de modelo para los kits de las consolas traseras de protección

Los métodos de instalación varían según las necesidades. Antes de empezar, lea atentamente estas instrucciones. Observe todos los códigos locales.

Instalación de la consola trasera de protección

(PA [30,36, 48] JBS)

PIEZAS INCLUIDAS	HERRAMIENTAS REQUERIDAS
 10 – tornillos de 1 pulg. (25,4 mm)	Destornillador o punta Phillips
 1 – consola trasera de protección	Cinta métrica
1 – manual de instalación	Lápiz

Se debe instalar la consola trasera de protección antes de instalar una campana, ya que la campana cubre los tornillos de fijación superiores de la consola trasera de protección.

Para proteger la consola trasera de protección contra los rasguños, deje la lámina adhesiva de plástico que la cubre hasta terminar la instalación.

Si la estufa ya está instalada, consulte las instrucciones del fabricante para desconectar el suministro de gas y la alimentación eléctrica. Desplace la estufa para tener acceso a la pared trasera.

ADVERTENCIA!

Para evitar posibles quemaduras o incendios, se debe quitar todo el material del embalaje del accesorio antes de usarlo.

1. Localice y marque los sitios donde pasan los travesaños de pared. Normalmente, los travesaños de pared se instalan a intervalos de 16 pulg. o 24 pulg. (406 mm o 610 mm).
2. La altura de la campana determinará la altura de instalación del borde superior de la consola trasera de protección. Se debe instalar la consola trasera de protección para que el borde inferior de la campana cubra la parte superior de la consola trasera de protección de 1-½ pulg. (38 mm).
3. Utilice dos de los tornillos proporcionados para fijar las partes inferior y superior de la consola trasera de protección a cada travesaño de pared (vea la *Figura 14*).
 - En algunos casos, y teniendo en cuenta la anchura variable de los travesaños de pared y de las consolas traseras de protección, se puede encontrar únicamente un travesaño de pared en el sitio de instalación.
4. Quite la lámina de protección de plástico.

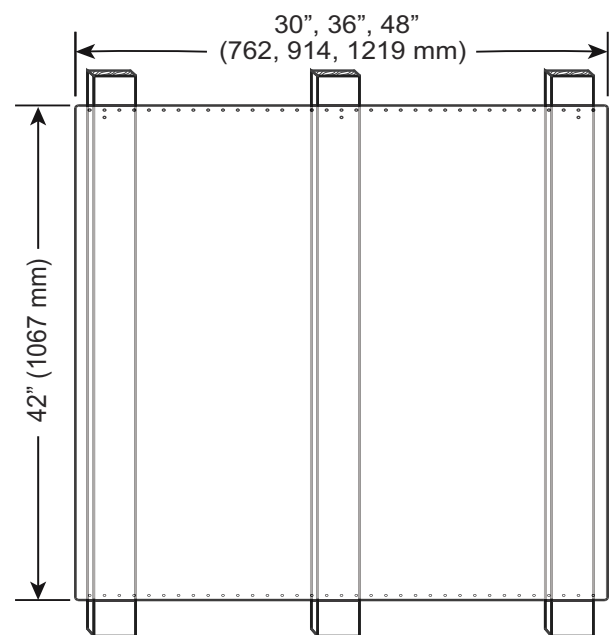


Figura 14: Instalación de la consola trasera

Instalación de la consola trasera de protección con un estante guarda-caliente

Se puede instalar primero la campana si instala la consola trasera de protección con un estante guarda-caliente ya que este estante cubrirá los tornillos de fijación superiores de la consola trasera de protección (*Figura 15*).

Para proteger la consola trasera de protección de rasguños, deje la lámina adhesiva de plástico que la cubre hasta terminar la instalación.

Si la estufa ya está instalada, consulte las instrucciones del fabricante para desconectar el suministro de gas y la alimentación eléctrica. Desplace la estufa para tener acceso a la pared trasera.

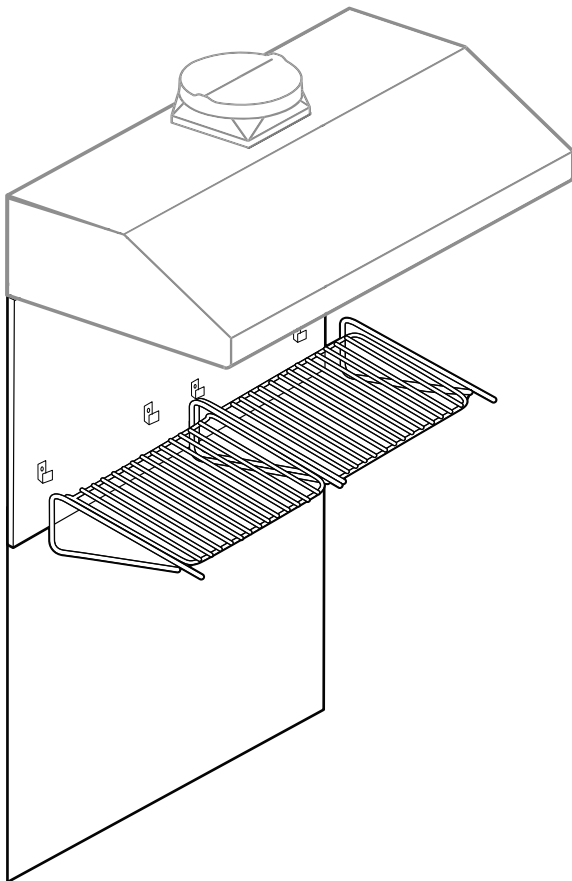


Figura 15: Consola trasera de protección con estante guarda-caliente

1. Localice y marque los sitios donde pasan los travesaños de pared. Normalmente, los travesaños de pared se instalan a intervalos de 16 pulg. o 24 pulg. (406 mm o 610 mm).
2. La altura de la campana determinará la altura de instalación del borde superior de la consola trasera de protección. Se debe instalar la consola trasera de protección para que la parte trasera del estante guarda-caliente cubra la parte superior de la consola trasera de protección de 1 ½ pulg. (38 mm).
3. En el lugar indicado en la *Figura 16*, fije los soportes inferiores proporcionados con el estante guarda-caliente a través de la consola trasera de protección en los travesaños de pared.
 - En algunos casos, y teniendo en cuenta la anchura variable de los travesaños de pared y de las consolas traseras de protección, se puede encontrar únicamente un travesaño de pared en el sitio de instalación.
4. Quite la lámina de protección de plástico.
5. Comience la instalación del estante guarda-caliente.

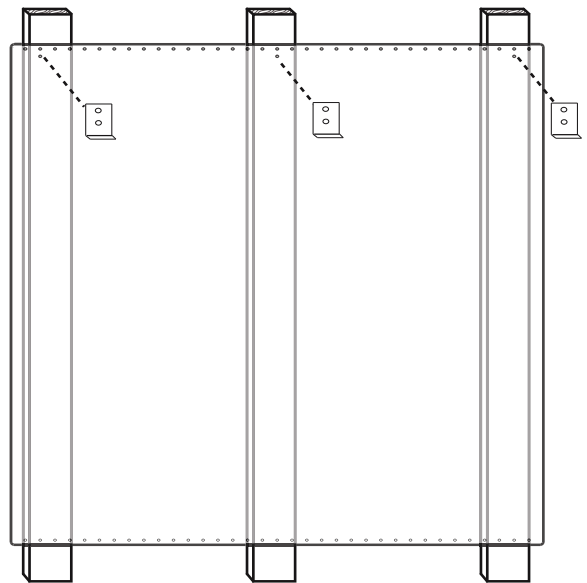


Figura 16: Consola trasera de protección con estante guarda-caliente

Estante guarda-caliente (KHS [30,36,42,48] QS)

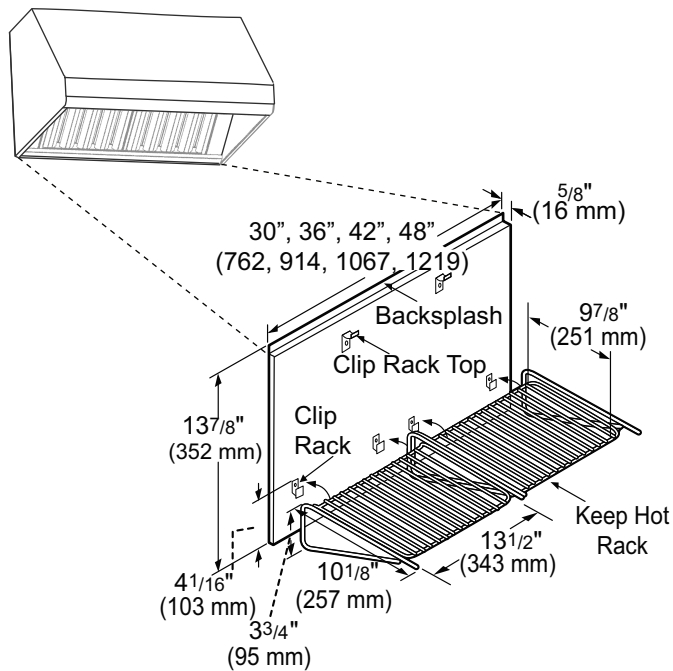


Figura 17: Estante guarda-caliente

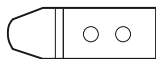
PIEZAS INCLUIDAS



10 – tornillos de 1 pulg. (25,4 mm)
4 – tornillos de ½ pulg. (12,7 mm)



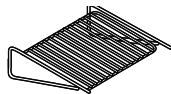
4 – tuerca en U



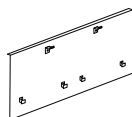
2 – soportes superiores para el estante



4 – soportes inferiores para el estante



2 – rejillas guarda-caliente



1 – consola trasera para estante guarda-caliente

1 – manual de instalación y patrón de papel

HERRAMIENTAS REQUERIDAS

Cinta métrica Destornillador o punta Phillips

Cinta de pintor Cuchillo o tijeras

1. Pegue con cinta los patrones de papel proporcionados con el estante guarda-caliente de la forme siguiente:
 - Pegue la hoja titulada Left Hand Template en la esquina inferior izquierda alineando el borde inferior de la campana y la línea superior del patrón.
 - Pegue la hoja titulada Right Hand Template en la esquina inferior derecha alineando el borde inferior de la campana y la línea superior del patrón.
 - Pegue la hoja titulada Installation Instruction para que la flecha de encima del patrón esté alineada con la línea central de la campana. Alinee el borde inferior de la campana y la línea superior del patrón.
 - Los lados del patrón deben corresponder a la longitud del estante.
2. Instale los dos soportes superiores del estante y los tres soportes inferiores del estante en los sitios indicados en los patrones. Fíjelos con los diez tornillos de 1 pulg. (25,4 mm) proporcionados.
3. Corte el patrón alrededor de los soportes y quítelo de la pared. No lo tire antes de terminar la instalación del estante guarda-caliente.
4. Inserte las cuatro tuercas en los cuatro soportes inferiores del estante.
5. Instale la placa mural colocando las muescas de las esquinas (dorso de la placa mural) encima de los dos soportes superiores del estante. Deslice el accesorio del estante hacia arriba hasta que la parte inferior se enganche en los soportes inferiores (Figura 18).
6. Asegúrese de que la parte superior del accesorio del estante esté bien fijada tirando de la parte superior del accesorio del estante.

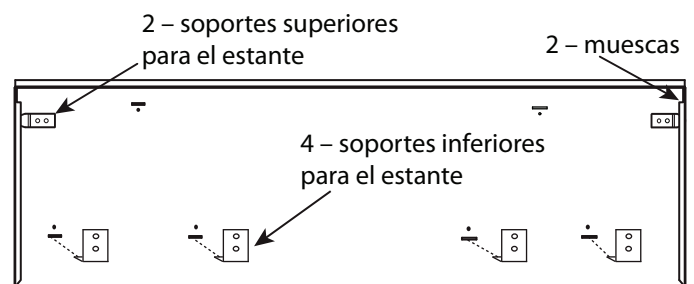


Figura 18: 48 pulg dorso de la placa mural

7. Asegúrese de que la parte superior del accesorio del estante esté bien fijada tirando de la parte superior.
8. Fije la parte inferior del accesorio del estante con los cuatro tornillos ½ pulg. (12,7 mm) proporcionados.

Instalación de la consola trasera baja

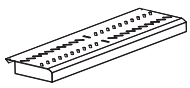
Cuando se instala sobre una superficie combustible, se debe usar una consola trasera baja o un estante alto. Se debe comprar por separado una consola trasera baja o un estante alto THERMADOR®. Vea la sección sobre los espacios libres en la página 6 para obtener más información.

Cuando se utiliza el adorno de isla THERMADOR, hace falta un espacio libre trasero mínimo de 12 pulg. (305 mm) entre el aparato y la superficie combustible (vea la *Figura 1*, Espacios libres para los armarios). Los espacios libres para las materias no combustibles no forman parte de la norma ANSI Z21.1 y no están certificados por la CSA. Los códigos locales o la autoridad local competente deben aprobar los espacios libres de menos de 12 pulg. (305 mm).

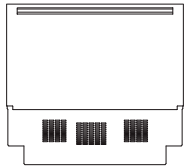
NOTA:

Si se usa una consola trasera de protección con la consola baja, instale primero la consola trasera de protección, luego la consola baja antes de volver a colocar la estufa en su sitio.

Piezas proporcionadas con el estante alto



1 – panel superior



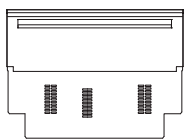
1 – panel delantero



13 – tornillos Torx T-20 de acero inoxidable

16 o 14 – tornillos de punta Torx T-20

Piezas proporcionadas con la consola baja



1 – panel



9 o 8 – tornillos Torx T-20 de acero inoxidable

8 o 6 – tornillos de punta Torx T-20

1 – manual de instalación

Herramientas requeridas

Destornillador o punta Torx T-20

Guantes de protección

⚠ ADVERTENCIA!

Tenga cuidado para no pellizcarse los dedos o las manos al instalar la consola trasera. Podría lesionarse gravemente. Lleve guantes de protección gruesos para evitar cortarse o lastimarse los dedos o las manos al deslizar la consola sobre la estufa.

⚠ PRECAUCIÓN!

¡El estante alto puede calentarse mucho! NO coloque encima de este estante:

- plásticos o contenedores que se pueden derretir
- artículos inflamables
- una carga de más de 30 libras (13,6 kg)

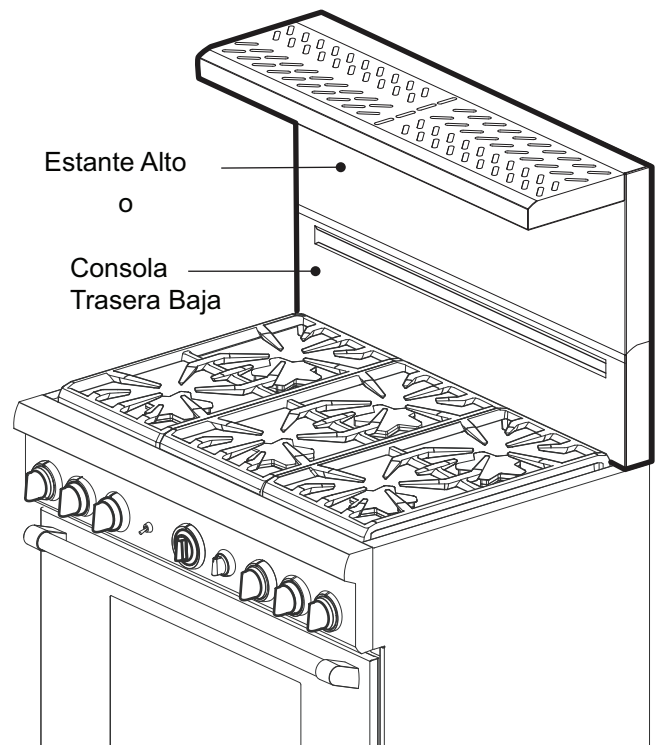


Figura 19: Vista frontal del estante y de la consola trasera baja

Ensamblaje del estante alto

1. Quite la lámina de protección de plástico.
2. Inserte el estante en las guías de la consola trasera baja.

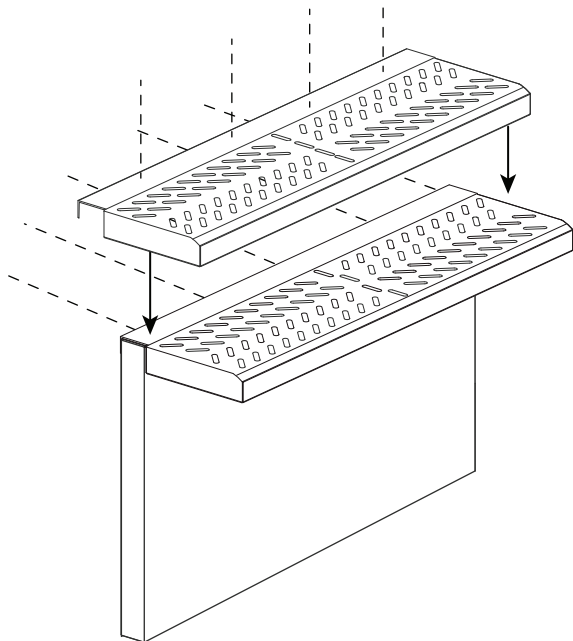


Figura 20: Vista trasera de la consola de protección

3. Fije cinco tornillos de acero inoxidable a lo largo de la parte superior del estante y doce tornillos de acero inoxidable en la parte trasera del estante.
4. Comience la instalación de la consola trasera baja.

Instalación de la consola trasera baja

1. Según el modelo, quite los tres o cuatro tornillos Torx T-20 de acero inoxidable de la cara frontal del adorno tipo isla proporcionado.

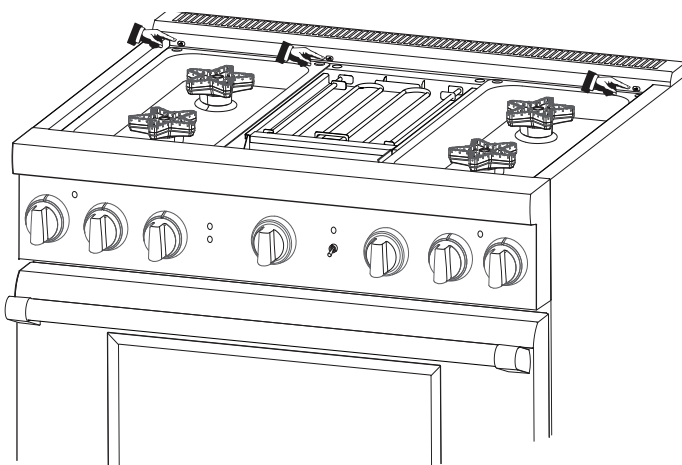


Figura 21: Como quitar los tornillos de la cara frontal del adorno tipo isla

2. Quite los cuatro tornillos de punta que retienen el adorno a los paneles laterales y los dos o cuatro tornillos de punta que retienen la placa trasera en su sitio. Levante el adorno para quitarlo totalmente.

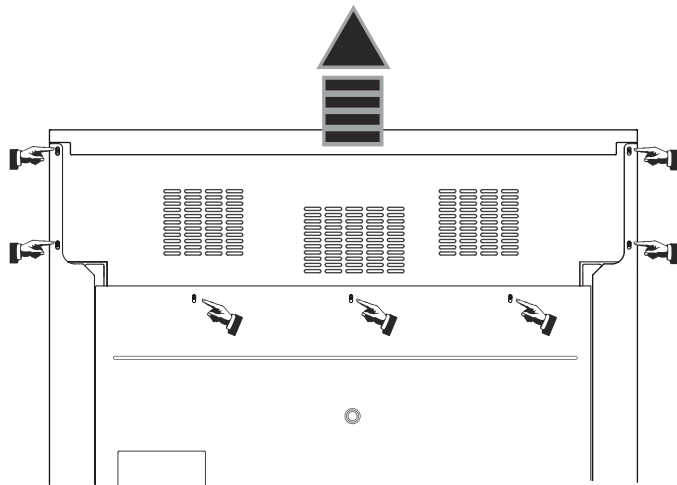


Figura 22: Como quitar los tornillos de la parte trasera del adorno de isla

3. Alinee el panel trasero del nuevo accesorio con las pestañas de los rincones de izquierda y derecha de los paneles laterales. La consola trasera se inserta en los canales guías situados detrás de la estufa.

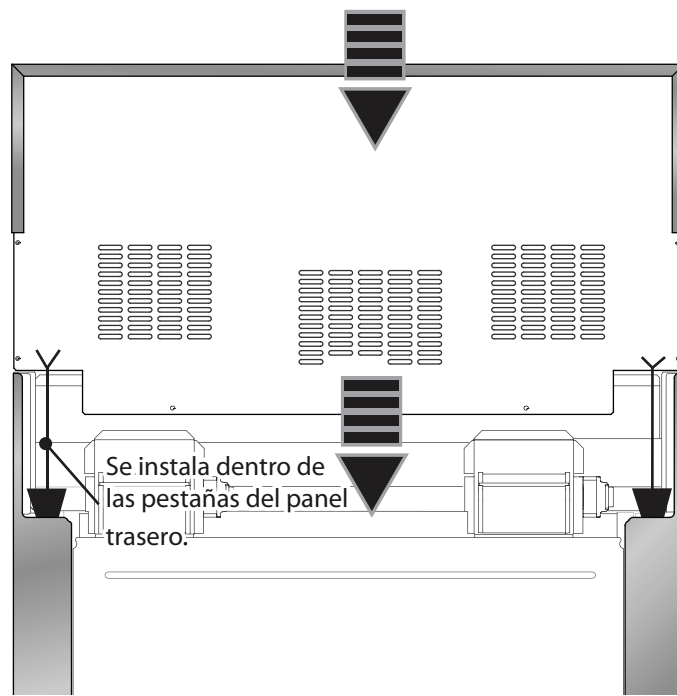


Figura 23: Instalación de la consola trasera baja

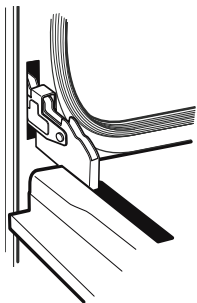
4. Asegúrese de que la parte frontal de la consola esté fuera de la pestaña en la parte delantera de la estufa.
5. Vuelva a instalar los tornillos que quitó en los pasos 1 y 2.

Paso 8: Quitar y reinstalar la puerta

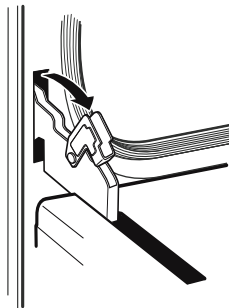
▲ PRECAUCIÓN!

- Asegúrese de que la hornilla esté fría y que la corriente esté desconectada antes de quitar la puerta. De otro modo podría recibir una descarga eléctrica o quemarse.
- La puerta de la hornilla pesa mucho y es frágil. Use ambas manos para quitar o reinstalar la puerta.
- Si no agarra la puerta de la hornilla firme y correctamente, podría lesionarse o dañar el producto.
- Nunca suelte la agarradera de la puerta de la hornilla para intentar cerrar las bisagras cuando ha quitado la puerta. Sin el peso de la puerta, los poderosos resortes cerrarán las bisagras con mucha fuerza.

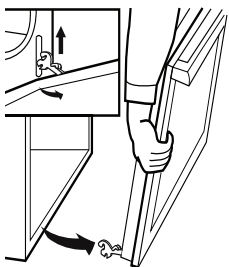
Para quitar la puerta de la hornilla



1. Asegúrese de leer la advertencia aquí arriba antes de quitar la puerta.
2. Abra completamente la puerta.



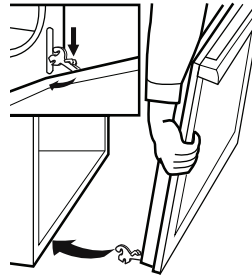
3. Empuje los soportes de las bisagras hacia abajo. Puede ser que necesite un destornillador para hacerlas bascular.
4. Cierre la puerta despacio hasta apoyarla contra los soportes de las bisagras. Cuando éstas están en posición abierta, la puerta se queda abierta a un ángulo de unos 30° respecto a su posición cerrada.



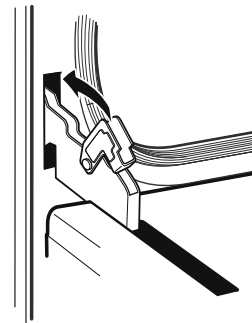
5. Agarre la puerta de los extremos y levántela. Los resortes ofrecerán un poco de resistencia.
6. Levante la puerta despacio para sacarla de los agujeros de las bisagras.
7. Guarde la puerta en un lugar seguro y estable.

Figura 24: Para quitar la puerta de la hornilla

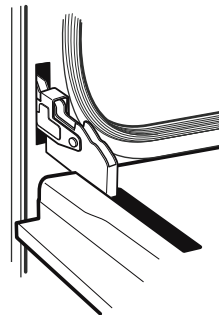
Para reinstalar la puerta de la hornilla



1. Sujete la puerta firmemente con sus dos manos.
2. Coloque la puerta en un ángulo de 30° respecto a su posición cerrada. Inserte las bisagras centrándolas en las ranuras. Cuando se instalan correctamente, los soportes se agarran sólidamente en las ranuras. No fuerce o tuerza la puerta.



3. Abra completamente la puerta para exponer las bisagras, las palancas y las ranuras.
4. Haga bascular las bisagras hacia delante y por abajo hasta apoyarlas en las ranuras. Puede ser que necesite un destornillador para volver a poner los soportes a su sitio.



5. Cierre y abra la puerta para asegurarse de que esté adecuadamente instalada.

Figura 25: Para reinstalar la puerta de la hornilla

Verificación de la instalación y del funcionamiento de la puerta

1. Abra y cierre la puerta lentamente para asegurarse de que se mueva normalmente y que esté ajustada a la cavidad de la hornilla. No fuerce para abrir o cerrar la puerta. Si está bien instalada, debería moverse fácilmente y, cuando está cerrada, estar alineada con la parte frontera de la hornilla.
2. La estufa debe estar nivelada para que se alineen adecuadamente las puertas de la hornilla. Vea la "Paso 9: Colocar y nivelar la estufa".
3. Si no funciona adecuadamente, asegúrese de que las bisagras descansen en sus ranuras y que los soportes estén en el fondo de las ranuras.

- Si la puerta o la agarradera parecen levemente desniveladas, puede ajustar su inclinación apretando o aflojando el tornillo se encuentra directamente abajo de la ranura de la bisagra. Apriétela o aflójela según el ajuste que haga falta para alinear correctamente la puerta.

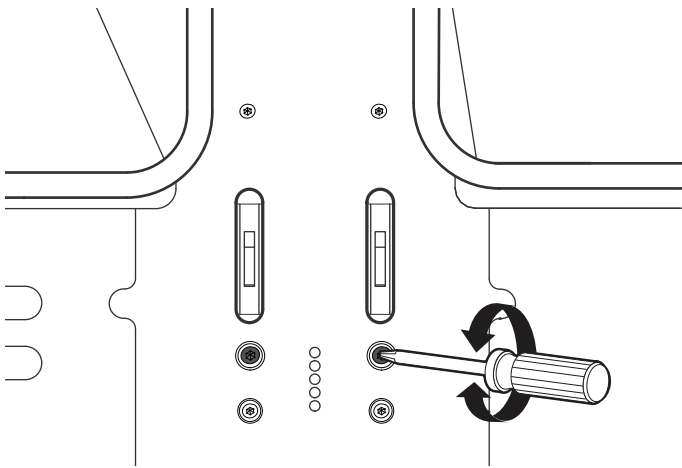


Figura 26: Agujero de los tornillos de ajuste de las bisagras

Placa con información del aparato

La placa con información del aparato muestra el número de modelo y de serie de su estufa. Se encuentra en el bastidor, detrás de la puerta del horno (vea la ilustración).

No se deben quitar los diagramas del cableado eléctrico en el área para los pies excepto por un técnico de servicio. Vuelva a ponerlos después del servicio.

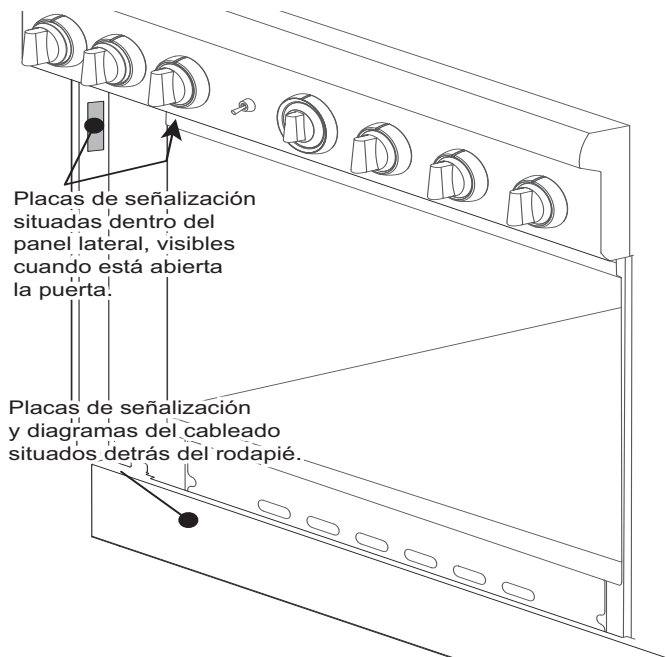


Figura 27: Ubicaciones de la placa de información y del diagrama de cableado (no se muestra la puerta del horno)

Paso 9: Colocar y nivelar la estufa

⚠ PRECAUCIÓN!

Los bordes superiores de los paneles laterales de la estufa deben estar a la misma altura o más altos que la encimera adyacente. Si se usa la estufa a una altura más baja que la encimera adyacente, los armarios podrían estar expuestos a temperaturas excesivas, lo que podría dañar la encimera y los armarios (vea la Figura 29).

Para obtener un rendimiento óptimo, la estufa debe estar nivelada. Esto es muy importante para todos los aparatos que vienen equipados con una plancha). La cavidad de la hornilla también debe estar nivelada para obtener un rendimiento óptimo.

Los modelos de 30 y 36 pulg. tienen cuatro patas de nivelación, una en cada esquina, enroscadas en la estructura base de aluminio fundido. Los modelos de 48 pulg. tienen seis.

- Mida la altura de la encimera con una cinta métrica y añada 1/16-1/8 pulg. (2-3 mm). Ajuste adecuadamente las patas antes de empujar la estufa en su posición final.
- Gire los lados planos de cada pata con una llave ajustable de 12 pulg. (305 mm).

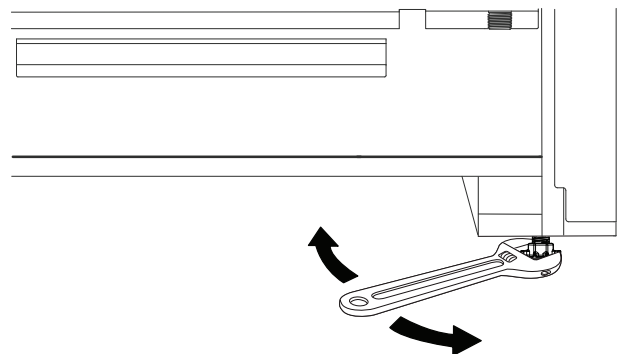


Figura 28: Nivelación de la estufa

- El ajuste de la altura se debe hacer poco a poco, alternando entre cada una de las cuatro patas hasta que los bordes superiores de los paneles laterales de la estufa estén aproximadamente a la misma altura que la encimera.
- Los ajustes finales de la altura de las dos patas traseras se deben hacer antes de mover la estufa hacia su posición final entre los armarios.

5. En el momento de instalar la estufa en su posición final, asegúrese de que del soporte antivuelco se inserte correctamente. Para verificar si se engancha, puede mirar a través de la abertura delante del aparato, cerca del piso.

6. Cuando la estufa se halle en su posición final, los ajustes de altura finales y el alineamiento con la encimera se hacen con las dos patas delanteras.

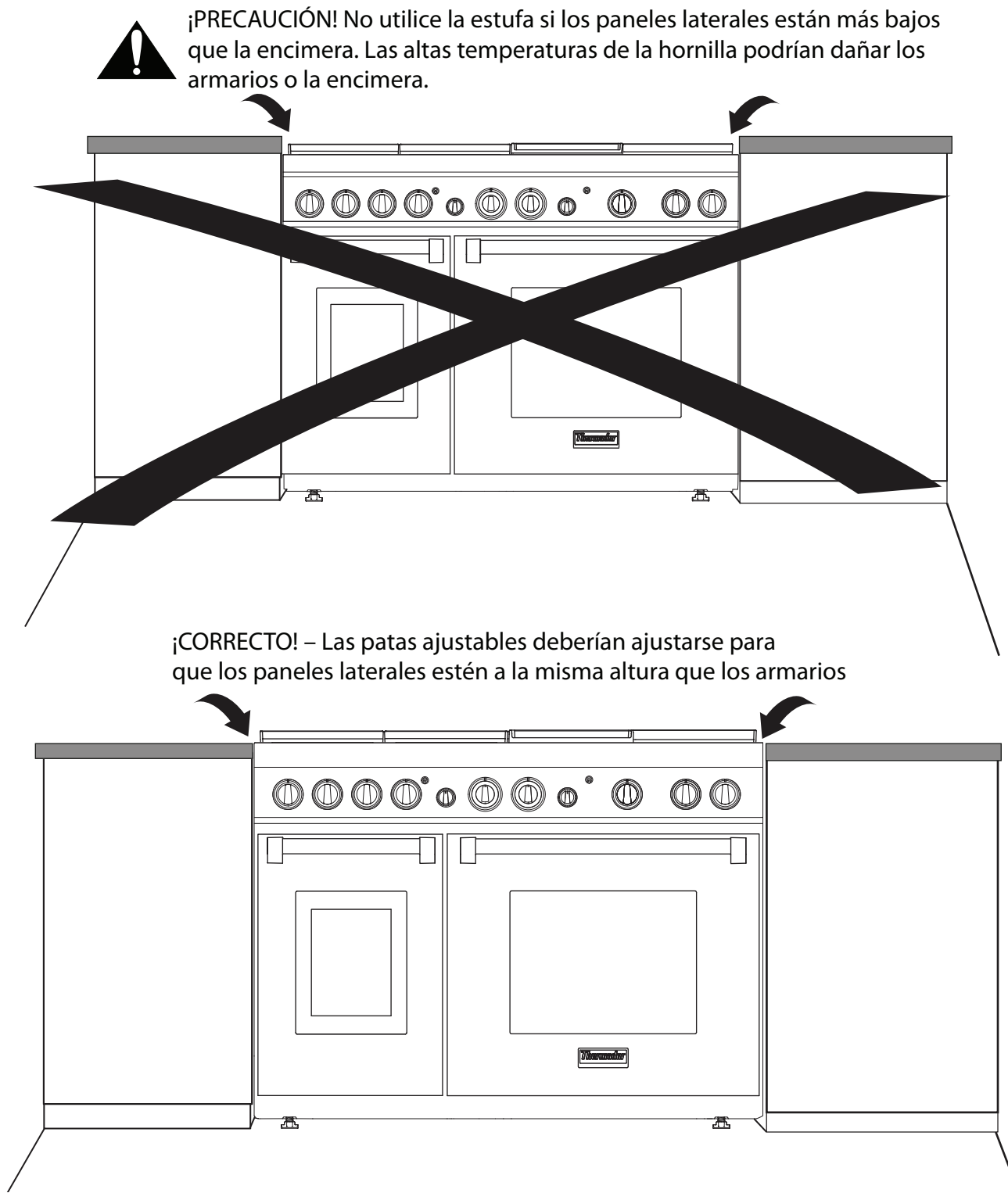


Figura 29: Ajuste de la altura de la estufa

Ajuste de inclinación de la plancha

(No todos los modelos)

Si la estufa viene equipada con una plancha eléctrica, revise el ajuste del bastidor de la plancha echando dos cucharas de agua sobre la parte trasera de la bandeja de la plancha. El agua debería bajar lentamente al colector de grasa. En caso contrario, ajuste los dos tornillos debajo de la parte trasera del bastidor. Comience con medio giro de los tornillos en sentido opuesto del reloj (CCW por sus siglas en inglés). Otros ajustes deben ser de un cuarto giro hasta que el agua fluya lentamente al colector de grasa.

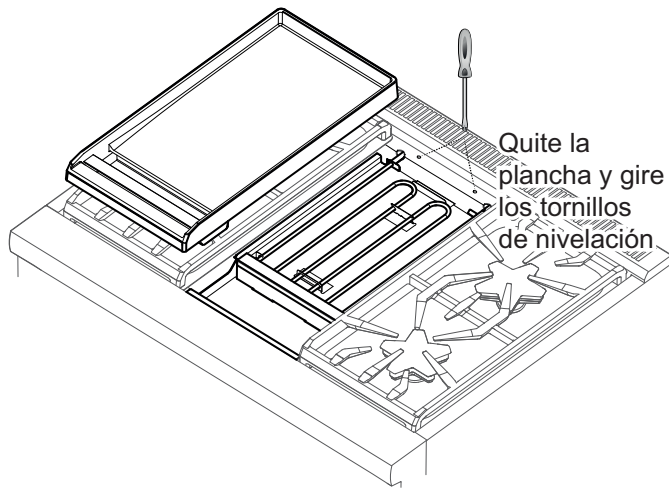


Figura 30: Ajuste de inclinación de la plancha

PRECAUCIÓN!

Para evitar todo riesgo de lesión, nunca haga funcionar la parrilla si no está instalada la placa. Nunca use la parrilla de una forma no descrita en el manual de uso y mantenimiento.

La placa de la parrilla debe estar instalada al encender la parrilla.

Ensamblaje de la parrilla

(No todos los modelos)

Consulte la sección titulada “Uso de la parrilla eléctrica” del manual de uso y cuidado.

Ajuste del rodapié

Para ajustar el rodapié, haga lo siguiente:

1. Quite los tornillos del rodapié con un destornillador Torx T-20.
2. Empuje ligeramente el rodapié hacia arriba para librar las lengüetas de aluminio de la base moldada.
3. Coloque el rodapié en una de las cinco posiciones de los agujeros para los tornillos, como se ve en la *Figura 31*. Reinstale los tornillos Torx.
4. Haga lo mismo en el otro lado asegurándose de que el rodapié esté nivelado.
 - El rodapié de la estufa debe estar por lo menos a 0,5 pulg. (12,7 mm) sobre el suelo.

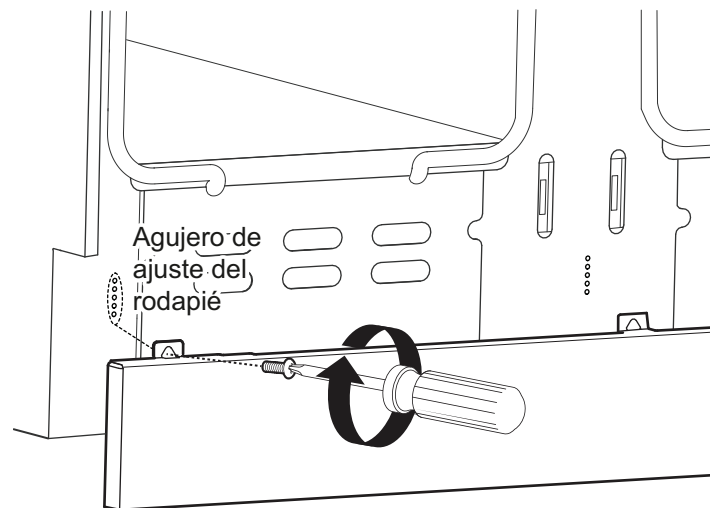


Figura 31: Ajuste del rodapié

Paso 10: Pruebas de Quemador

Instala cualquier componente flojo, como casquillos de quemador y rejillas, que se pudieron haber quitado con anterioridad. Asegúrese que los casquillos de quemador asienten apropiadamente en sus bases de quemador. Antes de probar la operación de la unidad, verificar que se ha comprobado cuidadosamente la unidad y la fuente de gas para saber si hay fugas y que la unidad haya sido conectada con la fuente de la corriente eléctrica. Dar vuelta a la válvula de cierre manual del gas a la posición abierta.

NOTA:

Antes de encender la hornilla, todas las perillas deben estar en la posición OFF. Para prevenir un funcionamiento no querido al encender la hornilla, coloque todas las perillas en la posición OFF. Para garantizar la seguridad del usuario en el caso de un apagón, un mensaje señalando un error aparece en la pantalla del aparato cuando vuelve la electricidad, a menos que todas las perillas estén en la posición OFF. Coloque todas las perillas en la posición OFF y reinicie el automático para eliminar el mensaje.

Pruebe los quemadores superiores de la estufa

Pruebe el Encendido del Quemador

Seleccione una perilla de quemador de la estufa. Presione hacia abajo y gire en contra de las manecillas del reloj hacia **ALTO**. El módulo de chispa/encendido producirá un sonido de chasquido. Una vez que el aire ha sido purgado de las líneas de alimentación, el quemador deberá encender dentro de cuatro (4) segundos.

Prueba de Flama: Opción Alta

Gire el quemador a **ALTO**. Vea *Figura 32* para las características apropiadas de flama.

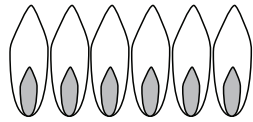
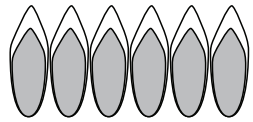
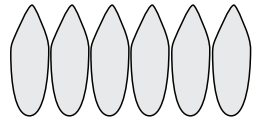
Si alguno de los quemadores superiores de la estufa continúan produciendo una llama casi o completamente amarilla, verifique que el casquillo del quemador está posicionado apropiadamente en la base del quemador, entonces vuelva a probar. Apague cada llama soplando y deje que los quemadores se reencendían para asegurarse de que funciona adecuadamente el dispositivo de reencendido. Si las características de la flama no mejoran, contacte a THERMADOR®.

Prueba de Flama: Opción Baja

Gire el quemador a SIM. Verifique que la flama rodea completamente el quemador. Debe haber una flama en cada compuerta del quemador y no debe haber una apertura de aire entre la flama y el quemador. Si cualquiera de los quemadores no continúa, llame a THERMADOR.

Los dos quemadores de la parrilla de estufa en el lado izquierdo cuentan con la característica XLO, causando que se haga un ciclo de encendido y apagado en la flama cuando la perilla está en la posición XLO. Esta es una operación normal.

Repita los procedimientos de prueba de Encendido y Flama, descritos para cada quemador superior de la estufa.

Flama amarilla: Se requiere más ajuste.	
Puntas amarillas sobre conos: Normal para Gas LP.	
Flama azul suave: Normal para Gas Natural.	

Si la flama es casi o completamente amarilla, verifique que el regulador está establecido para el combustible correcto. Posterior al ajuste, vuelva a probar.

Se pueden producir algunas rayas anaranjadas en el encendido inicial. Permita que la unidad trabaje durante 4-5 minutos y vuelva a evaluar antes de realizar ajustes.

Figura 32: Características de las llamas

Cuando la flama está ajustada correctamente:

Debe haber una flama en el puerto de cada quemador. No debe haber un espacio de aire entre la flama y el quemador.

Llame a THERMADOR si:

1. Cualquiera de los quemadores no encienden.
2. Cualquiera de los quemadores continúan produciendo flama amarilla.

Lista de chequeo del instalador

- Se respetaron los espacios libres especificados hasta la superficie de los armarios.
- Nivelación del aparato – delante/detrás – lateralmente.
- Tapas de quemadores correctamente colocadas sobre las bases de quemadores.
- Se quitó todo el material de empaque.
- Se instaló el adorno de tipo isla y la consola trasera conforme a las instrucciones.
- Se instaló la placa de adorno de base y se fijaron los dos (2) tornillos.
- Verifique la llama de cada quemador. Debe corresponder a la descripción de llama del Paso 10. La llama puede tardar varios minutos para quemar todas las impurezas que se encuentran en los conductos de gas.
- Verifique la función ExtraLow[®] para asegurarse de que funcione y que la llama se vuelva a encender en todo el quemador.

Suministro de gas

- Se instaló la válvula de cierre manual de gas en un lugar accesible (sin tener que mover la estufa).
- Se comprobó la unidad y no tiene fugas de gas.
- Si se usa con gas propano, verificar que el suministro de gas tenga su propio regulador de presión adicionalmente al regulador de presión que se incluye con el aparato.

Eléctrica

- Existe una tomacorriente con la protección correcta de sobre-tensión para conectar el cable de alimentación.
- Conexión correcta a tierra.

Operación

- Los anillos están centrados en las perillas y las perillas giran libremente.
- Cada quemador prende bien, tanto en forma individual como junto con otros quemadores operando.
- Se inclinó ligeramente la plancha hacia adelante y no se mueven (no todos los modelos).

- Las bisagras de la puerta del horno están enganchadas y las bisagras están fijadas en su posición, La puerta se abre y cierra correctamente.
- Las rejillas de los quemadores están posicionadas correctamente, niveladas sin moverse.
- Comience la autolimpieza. Cuando se prende la luz CLEANING (limpieza), verifique que la puerta está bien cerrada. Cancele el modo de limpieza.

Para limpiar y proteger las superficies exteriores

- Se pueden limpiar las superficies de acero inoxidable con un trapo húmedo, jabonoso, enjuagar con agua limpia y secar con un trapo suave para evitar la formación de marcas de agua. Cualquier detergente suave para vidrio quitará huellas digitales y manchas.
- Para decoloraciones o suciedades persistentes, consulte el manual de uso y cuidado.
- Para sacar brillo y proteger el acero inoxidable, use un limpiador/cera tal como Stainless Steel Magic[®].
- NO permita que suciedades permanezcan por períodos largos de tiempo.
- NO use fibra metálica normal o cepillos metálicos. Se pueden pegar pedazos pequeños de metal a la superficie causando que ésta se oxide.
- NO permita que soluciones salinas, desinfectantes, blanqueadores o compuestos de detergentes tengan contacto prolongado con el acero inoxidable. Muchos de estos compuestos contienen químicos dañinos. Enjuague con agua después de cada exposición y seque con un trapo limpio.

Resolución de problemas

Para obtener información sobre resolución de problemas, consulte la Guía de uso y cuidado.

Consult with a qualified heating and ventilation specialist for your specific ventilation requirements. We reserve the right to change specifications or design without notice.

Some models are certified for use in Canada. THERMADOR[®] is not responsible for products which are transported from the U.S. for use in Canada. Check with your local Canadian distributor or dealer.

Consultez un spécialiste qualifié en chauffage et en ventilation pour connaître les exigences de ventilation précises qui s'appliquent à votre cas. Nous nous réservons le droit de changer les spécifications ou la conception de nos appareils sans préavis.

Certains modèles sont certifiés pour une utilisation au Canada. THERMADOR^{mc} n'est pas responsable des produits transportés à partir des États-Unis pour une utilisation au Canada. Informez-vous auprès de votre distributeur ou détaillant local (Canada).

Consulte a un especialista cualificado en calefacción y ventilación para conocer las exigencias particulares de ventilación que se aplican en su caso. Nos reservamos el derecho a cambiar las especificaciones o el diseño de nuestros aparatos sin previo aviso.

Algunos modelos están aprobados para un uso en Canadá. THERMADOR[®] no es responsable de los productos transportados desde Estados Unidos para un uso en Canadá. Infórmese con su distribuidor o minorista local (Canadá).

THERMADOR® Service/Entretien/Mantenimiento

Service

We realize that you have made a considerable investment in your kitchen. We are dedicated to supporting you and your appliance so that you have many years of creative cooking.

Please don't hesitate to contact our excellent STAR™ Customer Support Department if you have any questions or in the unlikely event that your THERMADOR® appliance needs service. Our service team is ready to assist you.

USA:
800-735-4328
www.thermador.com/support

Canada:
800-735-4328
www.thermador.ca

Parts & Accessories

Parts, filters, descalers, stainless steel cleaners and more can be purchased in the THERMADOR eShop or by phone.

USA:
www.thermador-eshop.com

Canada:
Marcone 800-287-1627
or
Reliable Parts 800-663-6060

Entretien

Nous savons bien que vous avez investi une somme considérable dans votre cuisine. Nous nous faisons un devoir de vous soutenir pour que vous puissiez profiter pleinement d'une cuisine où vous pourrez exprimer toute votre créativité de nombreuses années durant.

N'hésitez pas à communiquer avec l'un des membres chevronnés de notre équipe de soutien au client si vous avez des questions ou dans le cas plutôt improbable où votre appareil THERMADOR^{MC} aurait besoin d'entretien. Notre équipe sera prête à vous aider.

É.-U. :
800-735-4328
www.thermador.com/support

Canada:
800-735-4328
www.thermador.ca

Pièces et Accessoires

Vous pouvez vous procurer par téléphone ou à notre boutique THERMADOR en ligne des pièces, des filtres, des produits nettoyants pour acier inoxydable et plus encore.

É.-U. :
www.thermador-eshop.com

Canada:
Marcone 800-287-1627
or
Reliable Parts 800-663-6060

Mantenimiento

Nos damos cuenta que Usted invirtió una suma considerable en su cocina. Nos dedicamos a atenderle para que pueda sacar provecho de una cocina donde podrá expresar toda su creatividad durante muchos años.

Por favor, no dude en ponerse en contacto con uno de nuestros empleados ESTRELLAS™ de atención al cliente si tiene preguntas o en el caso más bien improbable que su aparato THERMADOR® necesite mantenimiento. Nuestro equipo estará listo para ayudarle.

EEUU:
800-735-4328
www.thermador.com/support

Canadá:
800-735-4328
www.thermador.ca

Piezas y Accesorios

Usted puede comprar piezas, filtros, productos de limpieza para acero inoxidable por teléfono o en nuestra tienda THERMADOR en línea.

EEUU:
www.thermador-eshop.com

Canadá:
Marcone 800-287-1627
or
Reliable Parts 800-663-6060

Thermador 

REAL INNOVATIONS FOR REAL COOKS®

1901 Main Street, Suite 600, Irvine, CA 92614 • 800-735-4328 • www.thermador.com
9000942448 • Rev. A • 5U05MQ • © BSH Home Appliances Corporation, 05/14